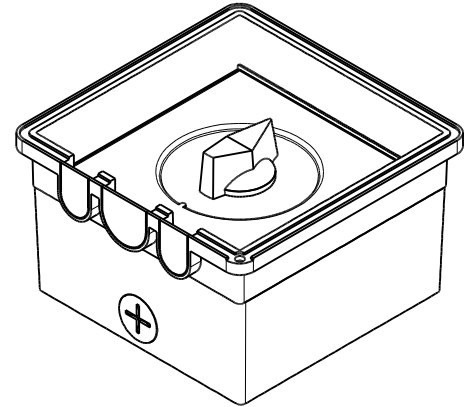
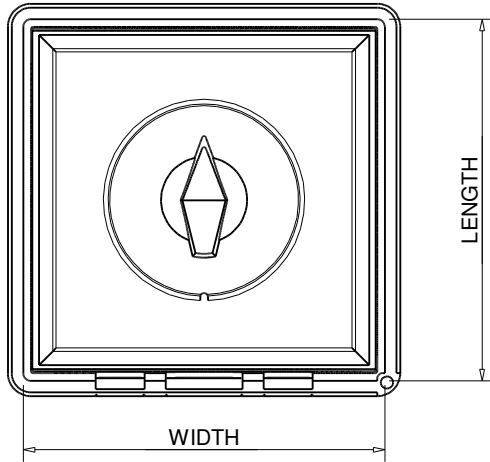




FIRE INSPIRED®

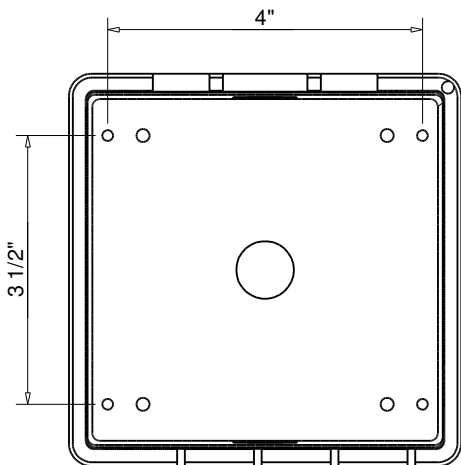
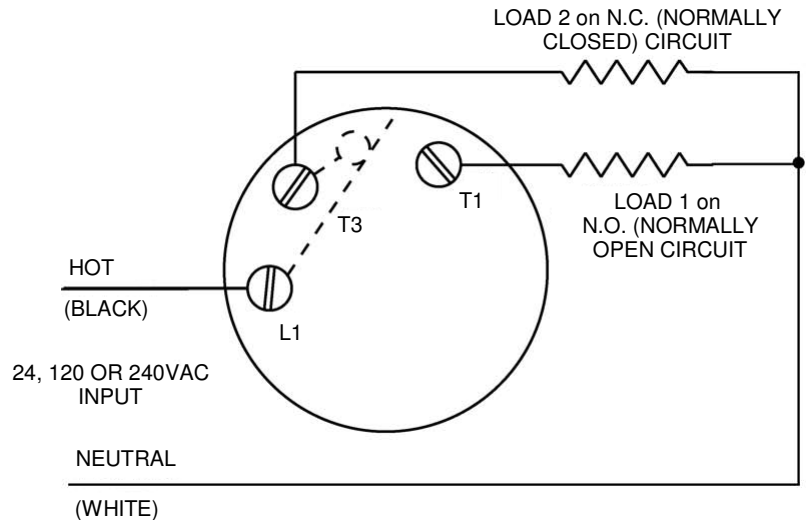
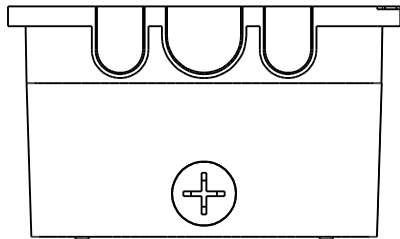
Hearth Products Controls Co  
CSA CERTIFIED-OUTDOOR USE ONLY  
FOR COMMERCIAL AND RESIDENTIAL USE

HEARTH PRODUCTS CONTROLS  
2225 LYONS RD.  
MIAMISBURG, OH 45342  
TOLL FREE: 877.585.9800  
PHONE: 937.436.9800  
www.hpcfire.com



NOTE:  
L1-T1 (N.O.) CIRCUIT IS ENERGIZED WHEN TIMER IS OPERATING  
(WOUND AND COUNTING DOWN). N.C. CIRCUIT IS OFF.

L1-T3 (N.C.) CIRCUIT IS ENERGIZED WHEN THE TIMER IS AT THE "ZERO" OR  
REST POSITION. N.O. CIRCUIT IS OFF.



SPECIFICATIONS

MATERIAL: METAL  
MOUNTING TYPE: GROUND SCREW  
NUMBER OF MOUNTING HOLES: 4  
NUMBER OF KNOCKOUTS: 3  
NEMA: 3R RATED  
LENGTH: 4.650  
WIDTH: 4.700  
HEIGHT: 5.000 - WITH COVER NOT SHOWN

NOTE:  
LID NOT SHOWN IN MODEL. LID IS INCLUDED WITH BOTH  
MODELS.

