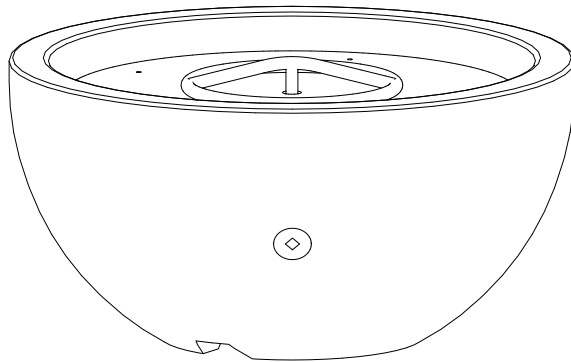
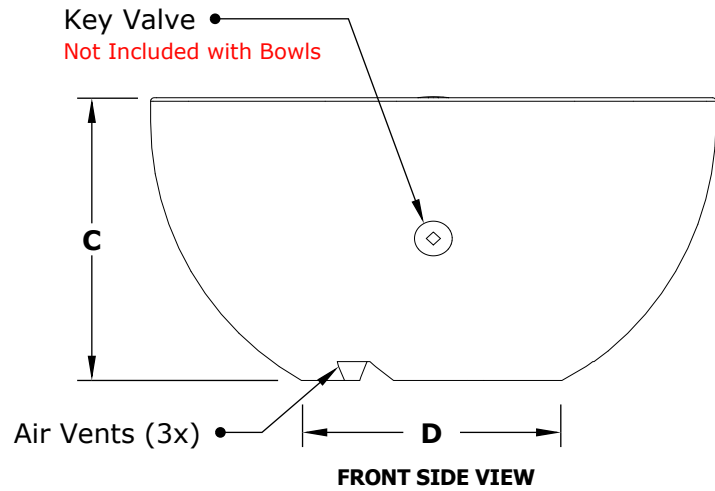


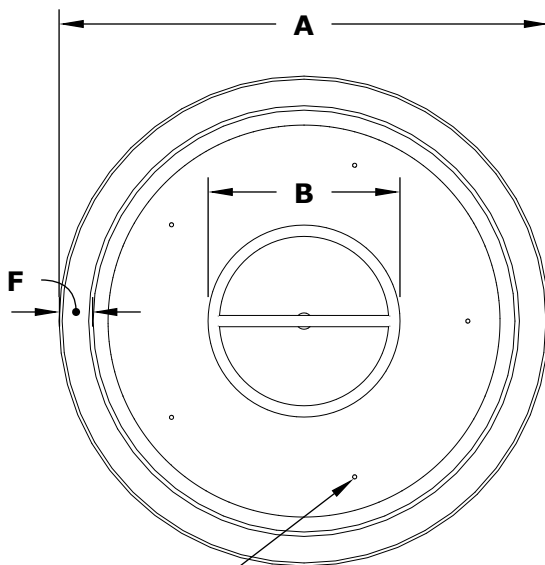
LUNA FIRE BOWL/FIRE PIT - GFRC CONCRETE



ISOMETRIC VIEW

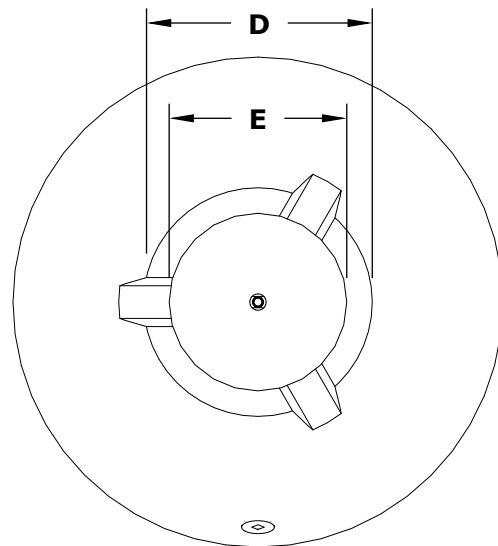


FRONT SIDE VIEW



Drain Holes

TOP SIDE VIEW



TOP SIDE VIEW

SKU	A	B	C	D	E	F	BTU
OPT-LUNFO30	30"	10"	15"	14"	10"	2"	65,000
OPT-LUNFO30E12V	30"	10"	15"	14"	10"	2"	65,000
OPT-LUNFO38	38"	12"	16"	22"	17"	2.5"	65,000
OPT-LUNFO30E12V	38"	12"	16"	22"	17"	2.5"	65,000
OPT-LUN30	30"	10"	15"	14"	10"	2"	65,000
OPT-LUN30EKIT	30"	10"	15"	14"	10"	2"	65,000
OPT-LUN38	38"	12"	16"	22"	17"	2.5"	65,000
OPT-LUN38EKIT	38"	12"	16"	22"	17"	2.5"	65,000

Fire Pit Material: GFRC Concrete
 Finish: Smooth Finish
 Pan Material: 304 Stainless Steel
 Burner Material: 304 Stainless Steel
12V/110V ELECTRONIC IGNITION
 ANSI Z21.97-(2017) / CSA 2.41-(2017)



Includes: Pan, Burner, Key Valve, Whistle Free Hoses, Black Lava Rock.