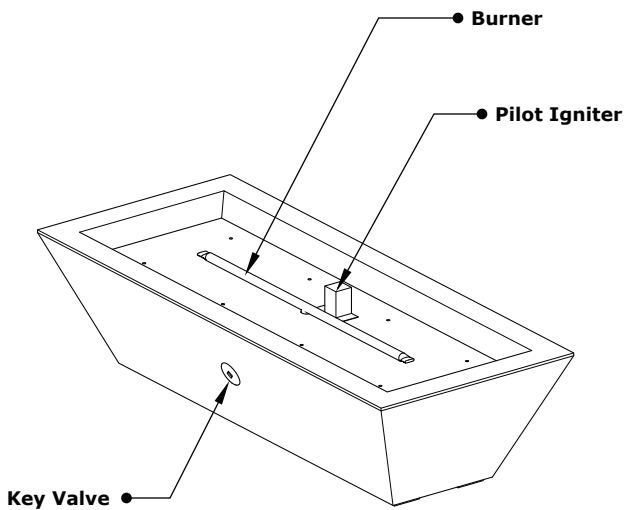
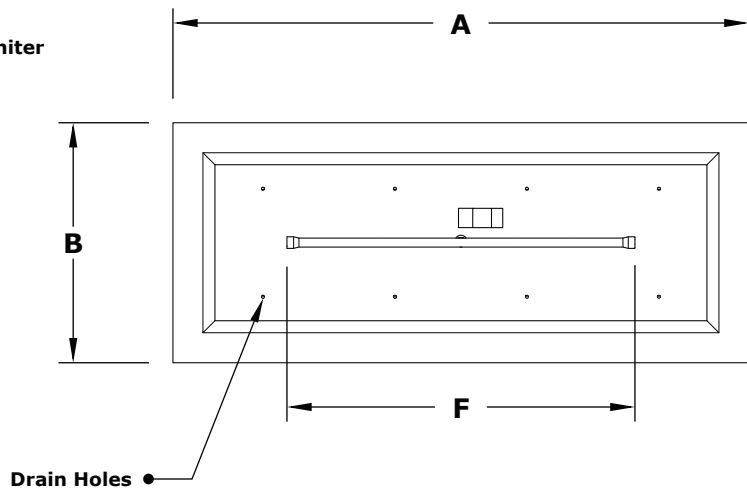


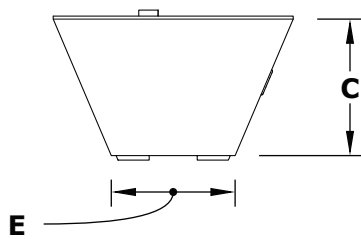
# LINEAR MAYA FIRE BOWL - 30" WIDTH



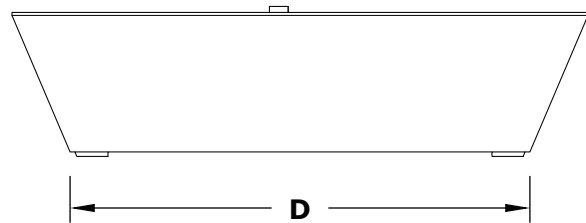
**ISOMETRIC VIEW**



**TOP VIEW**



**RIGHT SIDE VIEW**



**FRONT SIDE VIEW**

PART NUMBER	A	B	C	D	E	F	BTU
OPT-4830MFO	48"	30"	12"	38"	20"	30"	50,000
OPT-6030MFO	60"	30"	12"	50"	20"	42"	70,000
OPT-7230MFO	72"	30"	12"	62"	20"	54"	90,000

Fire Pit Material: GFRC Concrete  
 Pan Material: 304 Stainless Steel  
 Burner Material: 304 Stainless Steel  
 Standard 2" Depth on all pans

**14V ELECTRONIC IGNITION**  
 ANSI Z21.97-(2017) / CSA 2.41-(2017)



Match Lit Unit Includes: Pan, Burner, Gas Orifice, Gas Hoses, Key Valve, Key,  
 14v Ignition Unit Includes: Pan, Burner, Gas Orifice, Gas Hoses, Key Valve, Key, Plug & Play Electronic Valve, Pilot Igniter.

<i>Drawn By</i>	Murguia M.
<i>Date Created</i>	November 17, 2022

**Proprietary & Confidential:** The information contained in this drawing is the sole property of **The Outdoor Plus**. Any reproduction or as a whole without written permission of **The Outdoor Plus** is prohibited.