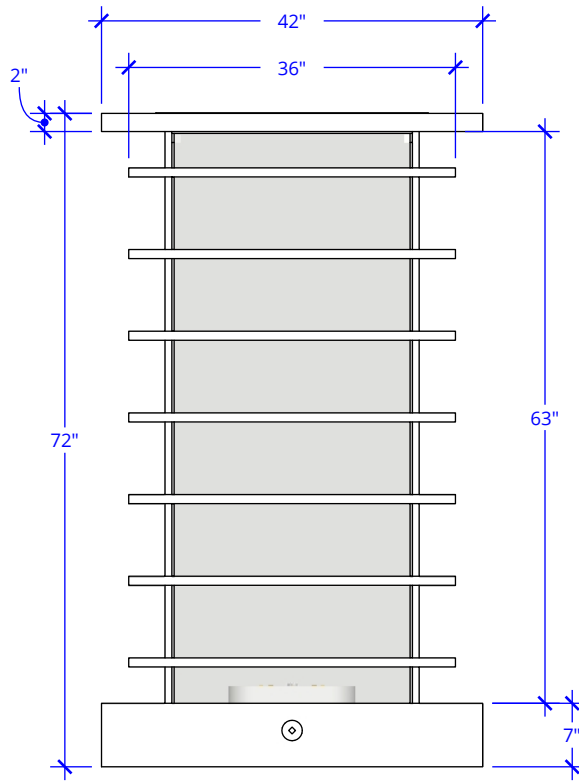
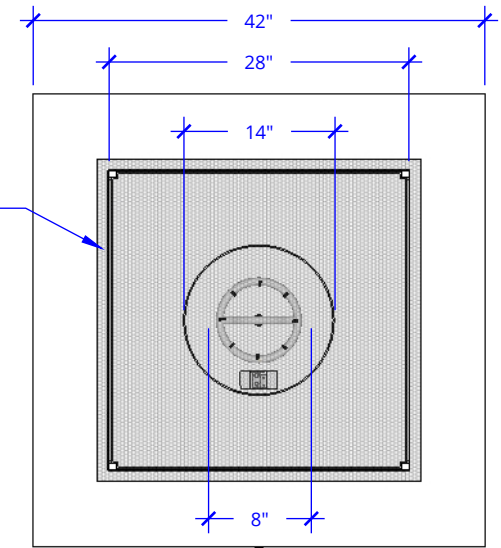


**ISOMETRIC VIEW**

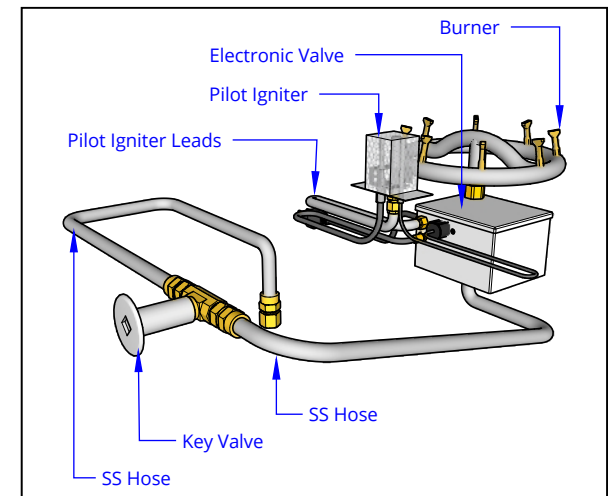


**FRONT VIEW**

Perforated Debris Guard



**TOP VIEW**



**COMPONENT OVERVIEW**

**Custom 42" x 42" x 72" SS Fire Tower with Glass Panels - 110V Ignition Shown**

<b>SKU</b>	OPT-FTWR642
<b>Material</b>	Stainless Steel
<b>Finish</b>	Brushed Finish
<b>Gas Type</b>	Available in NG or LP
<b>BTUs</b>	40,000