

NAPOLEON

GAS BURNING STOVES



GAS BURNING STOVES
napoleon.com



Find your happy (fire)place.

Throughout the ages, people have gathered around fires to share in life's greatest joys. There's just something about the glow of flickering flames that makes special moments feel even warmer.

A Napoleon fireplace is uniquely designed to brighten the vibe of any room in your house. Napoleon has an incredible range of designer options to fit any vision.

A fire not only raises the warmth and ambiance of a room, it can raise the value of your home. A fireplace offers some of the highest returns of any remodeling project. And that should make you feel good all over.

And so you can keep enjoying that positive glow for years and years and years to come, every Napoleon fireplace is backed by the President's Limited Lifetime Warranty.

| | |
|---|---------|
| Arlington™ - GDS20 | 4 - 5 |
| Bayfield™ - GDS25..... | 6 - 7 |
| Castlemore™ - GDS26 | 8 - 9 |
| Haliburton™ - GDS28 | 10 - 11 |
| Havelock™ - GDS50 | 12 - 13 |
| Knightsbridge™ - GDS60 | 14 - 15 |
| Napoleon's Outstanding Features | 16 |
| Detailed Specifications & Line Drawings . | 17 - 19 |

Cover Photo - Bayfield™ shown in Porcelain Enamel Majolica Brown Finish.





Napoleon's Hot Spots Research Study delivers insights on key areas of the home. In particular, how to help you add relaxation, social interaction and functionality to rooms to enhance your memorable moments.

Throughout this brochure we will share some of our insights with you. For more inspiration visit our inspiration gallery at Napoleon.com/fireplaces



Arlington™

Compact in Size - Huge in Style

The Arlington™ cast iron gas stove, with its slender, space saving design and 45° venting, is perfect for smaller rooms. The Arlington™ is available in metallic black or a porcelain enamel majolica brown finishes and includes MIRRO-FLAME™ Porcelain Reflective Radiant Panels. Even though small in size, it holds a large PHAZER™ burner system, PHAZER® log set and brightly glowing ember bed that can be viewed through the European styled ceramic glass viewing area.

Options & Accessories



F45 & F60 Remote Controls On/Off with Digital Screen



MIRRO-FLAME™ Porcelain Reflective Radiant Panels (included)



Easy access hidden control panel



45° venting for versatile horizontal or vertical installations



Porcelain Majolica Brown



Metallic Black Finish





GDS20

Up to 20,000 BTU's
19 1/4" W x 25 3/8" H

For more detailed specifications on this unit, see page 17

Bayfield™

Your Choice of Three Designer Colors

The Bayfield™ cast iron stove comes in three designer colors that will look great in any home or cottage. The built-in secondary heat exchanger provides excellent heating efficiency and heat retention. Other features include a cost saving electronic ignition with battery back-up, flame/heat adjustment, ceramic glass and an exclusive NIGHT LIGHT™ which creates a warm glow even when the stove is not on.



Porcelain Majolica Brown



Metallic Black Finish



Winter Frost Finish

Options & Accessories



Proflame II Remote Control (included)



MIRRO-FLAME™ Porcelain Reflective Radiant Panels



Built-in NIGHT LIGHT™





GDS25

Up to 24,500 BTU's
23 1/2" W x 25 5/8" H

For more detailed specifications on this unit, see page 17

Castlemore™

More Than Just a Reliable Heating Source

The Castlemore™ cast iron gas stove adds more than just a reliable heating source to your home. With its sleek curves and tall, slender stature, it becomes the ultimate focal point for any room. The Castlemore™ comes complete with Napoleon's exclusive NIGHT LIGHT™, PHAZERAMIC™ burner system, PHAZER® log set and glowing ember bed, creating a beautiful display of YELLOW DANCING FLAMES®. The classic European design will never go out of style and the heating power will provide a lifetime of enjoyable comfort.

Options & Accessories



Proflame II Remote Control (included)



MIRRO-FLAME™ Porcelain Reflective Radiant Panels



Decorative Sandstone Brick Panels



Easily converts from rear vent to top vent



Winter Frost



Majolica Brown Finish



Metallic Black Finish





The Living Room, Kitchen and Bedroom are prime targets for creating Hot Spots. If you get these rooms right, you've nailed it!



GDS26

Up to 25,000 BTU's
23 5/8" W x 35 1/2" H

For more detailed specifications on this unit, see page 18

Haliburton™

Dynamic Design, Environmentally Friendly Technology

Good things do come in small packages! If you have limited space but still desire the beauty and convenience of a gas stove... Napoleon's Haliburton™ is the answer! The Haliburton™ offers many benefits – a built-in blower, easily accessible control panel, solid body construction, a triple flame burner and a PHAZER® log set with glowing embers creating a beautiful display of YELLOW DANCING FLAMES®. Offering a variable heat range, as high as 30,000 BTU's, this stove may be compact in stature, but not in power!



Satin Chrome Door and Accent Bar



Metallic Black Door and Accent Bar

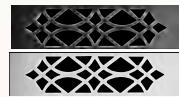
Options & Accessories



F45 & F60 Remote Controls
On/Off with Digital Screen



Andirons
Painted Black Finish



Trivets
Two Color Options



B-Vent Adapter Kits
See page 17 for details





GDS28

Up to 30,000 BTU's
22 1/2" W x 26 3/4" H

For more detailed specifications on this unit, see page 18

Havelock™

Sophisticated Heating Technology

This sophisticated gas stove comes complete with a built-in blower, extra large heat exchanger, easily accessible control panel and an advanced high tech, triple burner effect with a “furnace” type 44,000 BTU burner behind the logs. Acting as a “Turbo Boost” for those colder days & nights, it’s perfect for colder climates. All of the Havelock™ features combined with clean-burning, environmentally friendly technology, makes it the perfect choice to add long-lasting value to your home!

Options & Accessories



F45 & F60 Remote Controls
On/Off with Digital Screen



Andirons
Painted Black Finish



Trivet Painted Black



B-Vent Adapter Kits
See page 17 for details



Satin Chrome Door and Accent Bar



Black Door and Accent Bar





HOT SPOTS
RESEARCH STUDY

Napoleon's Hot Spots Research Study divulges how over 90% of people surveyed strongly desire a fireplace in the family / living room.

GDS50

Up to 44,000 BTU's
28 1/4" W x 30 3/4" H

For more detailed specifications on this unit, see page 19



Knightsbridge™

Solid Performance and Impressive Heating Efficiencies

Napoleon's Knightsbridge™ has always been in popular demand for its cast iron design, solid performance and impressive heating efficiencies. The Knightsbridge™ comes standard with Napoleon's PHAZER® log set, glowing embers, anti-condensation switch (controls pilot usage for cold climate installations) and electronic ignition with battery back-up. Its fine detailing and elegant cast iron design is a perfect complement to any home.



Metallic Black Finish



Porcelain Majolica Brown Finish

Options & Accessories



F45 & F60 Remote Controls
On/off or Modulating



Andirons
Painted Black Finish



Cast Iron Trivet
Painted Black Finish



B-Vent Adapter Kits
See page 17 for details



Decorative Sandstone
Brick Panels



GDS60

Up to 35,000 BTUs*

27" W x 30 1/2" H

For a detailed specifications on this unit, see page 19

*if stove is top vented

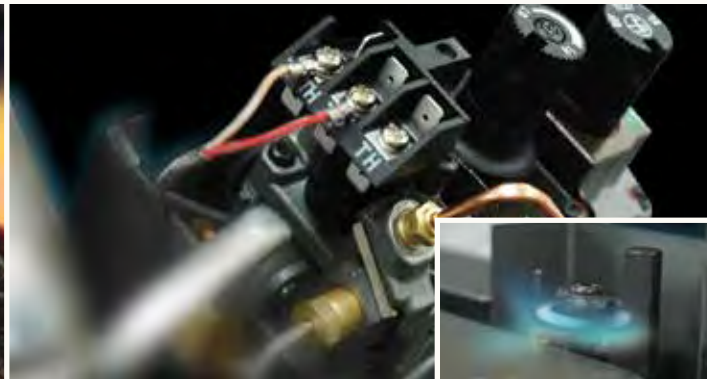
Outstanding Features

of Napoleon's Advanced Technology



Advanced Burner Technology

Napoleon's sophisticated burner system offers superior flame technology. Strategically placed burner ports create the most realistic YELLOW DANCING FLAMES® in the industry.



Finely Tuned Precision Valves

Surrounded with a protective cast aluminum jacket, the precision valves allow for ultimate reliability and 100% SAFE GUARD™ gas control system.

Minimum 30% savings on heating costs with Zone Heating

Zone Heating means you are heating the rooms that you use the most with an alternate heat source, like a Napoleon gas fireplace. Zone Heating is the obvious solution for families concerned about rising fuel costs.



Outstanding Craftsmanship

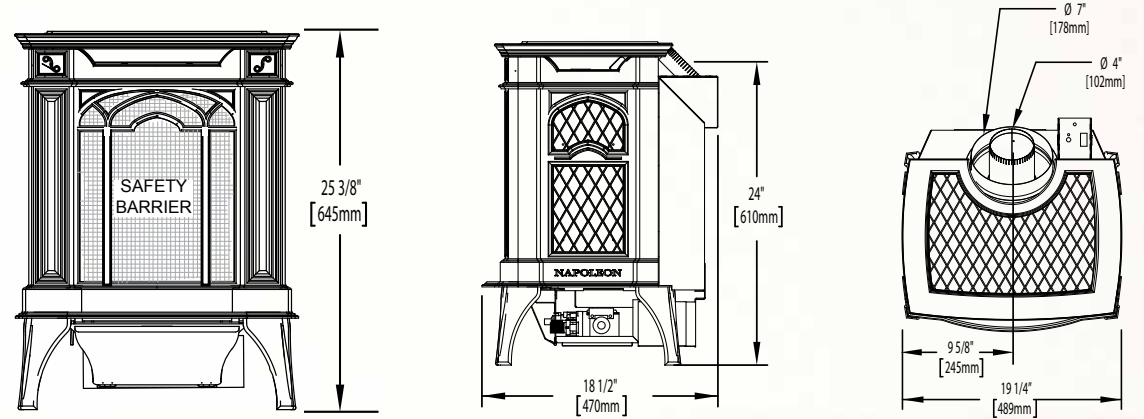
Fine details are designed in every aspect of Napoleon fireplaces... individually handcrafted with pride of excellence to last a lifetime.

Safety Screens

Napoleon, leaders in design & technology have developed safety screens with aesthetically pleasing designs for every gas appliance to ensure ultimate safety and peace of mind for your family.

Arlington™

Shown on pages 4 & 5

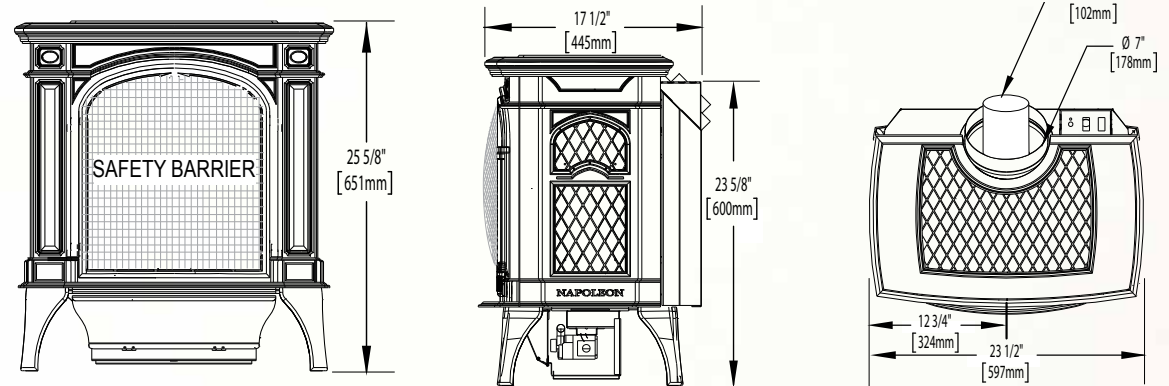


| Model | BTU's (Input) | | Venting | Height | Front Width | Depth | Glass Type | Glass Size | | Efficiencies | | | Blower Kit | Mobile Home Certified | Electronic Ignition | Minimum Clearances to Combustibles | | |
|-------|---------------|---------|---------|---------|-------------|---------|------------|------------|--------|--------------|--------|-------|------------|-----------------------|---------------------|------------------------------------|------|--------------|
| | Natural Gas | Propane | | | | | | Actual | Actual | Actual | Height | Width | | | | EnerGuide | AFUE | Steady State |
| GDS20 | 20,000 | 20,000 | 45° | 25 3/8" | 19 1/4" | 18 1/2" | Ceramic | 13" | 14" | 59.6% | - | 78% | Optional | Yes | No | 2" | 2" | 4" |

Certified under Canadian and American National Standards.

Bayfield™

Shown on pages 6 & 7



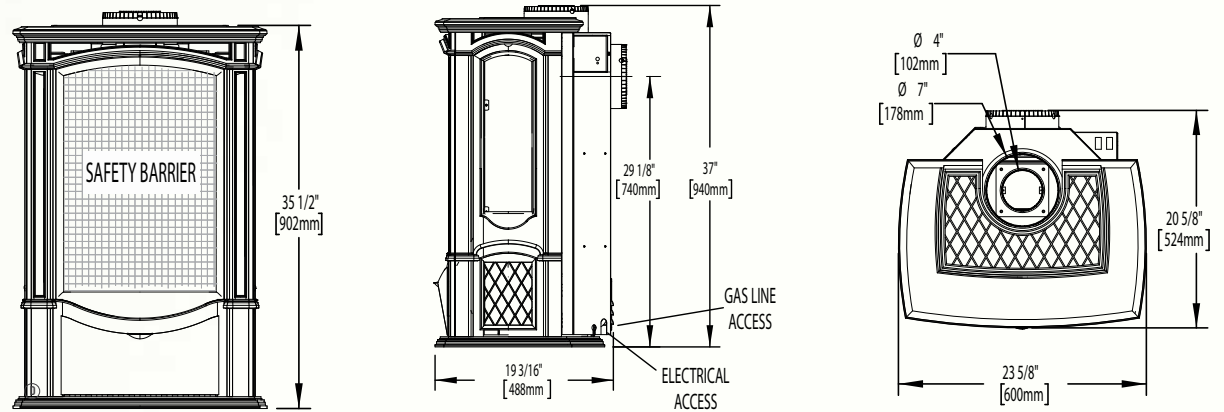
| Model | BTU's (Input) | | Venting | Height | Front Width | Depth | Glass Type | Glass Size | | Efficiencies | | | Blower Kit | Mobile Home Certified | Electronic Ignition | Minimum Clearances to Combustibles | | |
|-------|---------------|---------|---------|---------|-------------|---------|------------|------------|--------|--------------|--------|-------|------------|-----------------------|---------------------|------------------------------------|------|--------------|
| | Natural Gas | Propane | | | | | | Actual | Actual | Actual | Height | Width | | | | EnerGuide | AFUE | Steady State |
| GDS25 | 24,500 | 23,000 | 45° | 25 5/8" | 23 1/2" | 17 1/2" | Ceramic | 15" | 18" | 67.1% | 64% | 80% | Optional | Yes | Yes | 2" | 2" | 4" |

Certified under Canadian and American National Standards.

Figures may vary with individual conditions such as floor plan layout, insulation value/heat loss of the house and geographical location. Measurements to be used as a guide only. Consult your owner's manual for complete and up-to-date installation instructions and proper clearances to combustible materials.

Castlemore™

Shown on pages 8 & 9

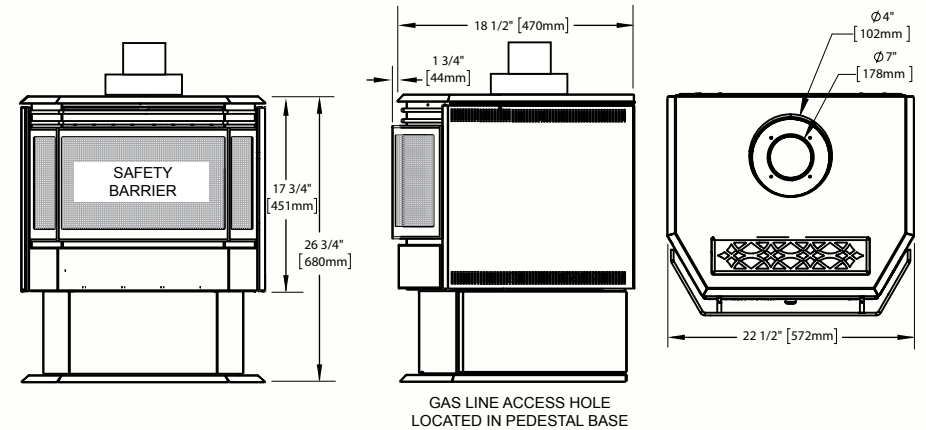


| Model | BTU's (Input) | | Venting | Height | Front Width | Depth | Glass Type | Glass Size | | Efficiencies | | | Blower Kit | Mobile Home Certified | Electronic Ignition | Minimum Clearances to Combustibles | | |
|---------|---------------|---------|-------------|---------|-------------|----------|------------|------------|---------|--------------|------|--------------|------------|-----------------------|---------------------|------------------------------------|------|-------|
| | Natural Gas | Propane | | | | | | Actual | Width | EnerGuide | AFUE | Steady State | | | | Corner | Rear | Sides |
| GDS26-1 | 25,000 | 25,000 | Top or Rear | 35 1/2" | 23 5/8" | 19 3/16" | Ceramic | 24" | 16 5/8" | 66.3% | - | 82% | Optional | Yes | Yes | 2" | 5" | 2" |

Certified under Canadian and American National Standards. This product has a design registration. Wolf Steel Ltd.

Haliburton™

Shown on pages 10 & 11



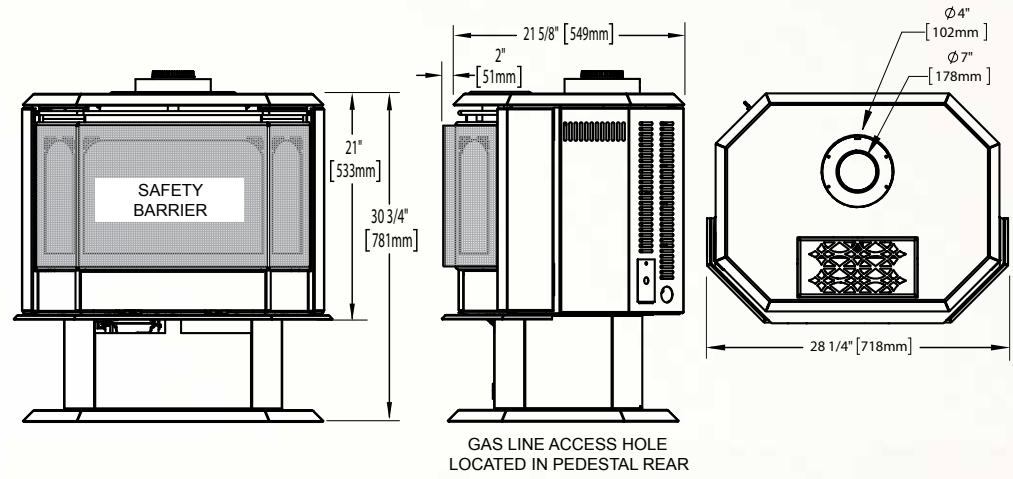
| Model | BTU's (Input) | | Venting | Height | Front Width | Depth | Glass Type | Glass Size | | Efficiencies | | | Blower | Mobile Home Certified | Electronic Ignition | Minimum Clearances to Combustibles | | |
|-------|---------------|---------|---------|---------|-------------|---------|------------|------------|---------|--------------|------|--------------|----------|-----------------------|---------------------|------------------------------------|------|-------|
| | Natural Gas | Propane | | | | | | Actual | Width | EnerGuide | AFUE | Steady State | | | | Corner | Rear | Sides |
| GDS28 | 30,000 | 26,000 | Top | 26 3/4" | 22 1/2" | 18 1/2" | Ceramic | 11 3/8" | 24 1/2" | 63.6% | 65% | 85% | Standard | Yes | No | 1" | 2" | 7" |

Certified under Canadian and American National Standards.

Figures may vary with individual conditions such as floor plan layout, insulation value/heat loss of the house and geographical location. Measurements to be used as a guide only. Consult your owner's manual for complete and up-to-date installation instructions and proper clearances to combustible materials.

Havelock™

Shown on pages 12 & 13

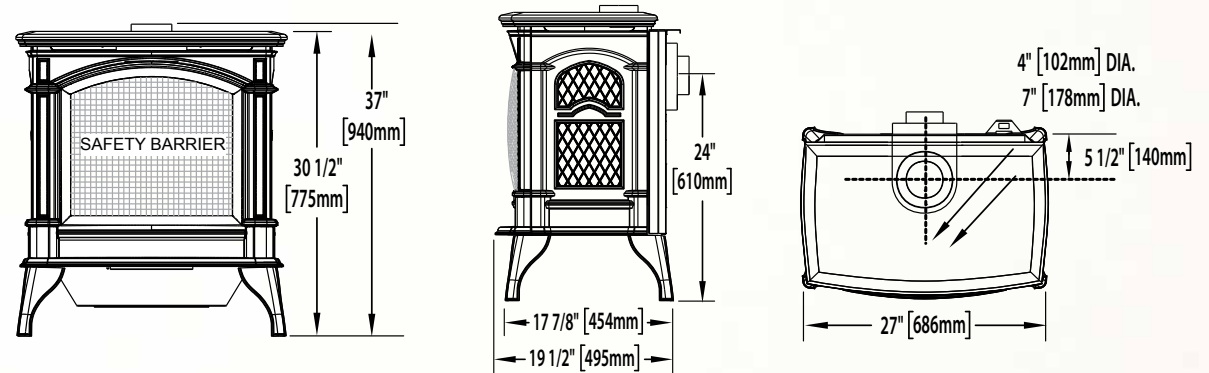


| Model | BTU's (Input) | | Venting | Height | Front Width | Depth | Glass Type | Glass Size | | Efficiencies | | | Blower | Mobile Home Certified | Electronic Ignition | Minimum Clearances to Combustibles | | |
|-------|---------------|---------|---------|---------|-------------|---------|------------|------------|---------|--------------|------|--------------|----------|-----------------------|---------------------|------------------------------------|------|-------|
| | Natural Gas | Propane | | Actual | Actual | Actual | | Height | Width | EnerGuide | AFUE | Steady State | | | | Corner | Rear | Sides |
| GDS50 | 44,000 | 40,000 | Top | 30 3/4" | 28 1/4" | 21 5/8" | Ceramic | 12 5/8" | 27 5/8" | 68.6% | 67% | 84% | Standard | Yes | No | 1" | 2" | 7" |

Certified under Canadian and American National Standards.

Knightsbridge™

Shown on pages 14 & 15



| Model | BTU's (Input) | | Venting | Height | Front Width | Depth | Glass Type | Glass Size | | Efficiencies | | | Blower Kit | Mobile Home Certified | Electronic Ignition | Minimum Clearances to Combustibles | | |
|-------|---------------|---------|-------------|---------|-------------|---------|------------|------------|-------|--------------|------|--------------|------------|-----------------------|---------------------|------------------------------------|------|-------|
| | Natural Gas | Propane | | Actual | Actual | Actual | | Height | Width | EnerGuide | AFUE | Steady State | | | | Corner | Rear | Sides |
| GDS60 | 35,000* | 31,500* | Top or Rear | 30 1/2" | 27" | 19 1/2" | Ceramic | 18 3/4" | 21" | 59.7% | 64% | 78% | Optional | Yes | Yes | 2" | 6" | 6" |

Certified under Canadian and American National Standards.

*BTU's if top vented. 21,000 BTU's if rear vented.

Figures may vary with individual conditions such as floor plan layout, insulation value/heat loss of the house and geographical location. Measurements to be used as a guide only. Consult your owner's manual for complete and up-to-date installation instructions and proper clearances to combustible materials.

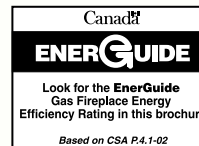
NAPOLEON

CELEBRATING OVER 40 YEARS OF HOME COMFORT PRODUCTS



24 Napoleon Road, Barrie, Ontario, Canada L4M 0G8
 103 Miller Drive, Crittenden, Kentucky, USA 41030
 7200 Trans Canada Highway, Montreal, Quebec, Canada H4T 1A3

Tel: 1-888-721-7253
 napoleon.com



Authorized Dealer

Consult your owner's manual for complete installation instructions and proper clearances to combustible materials. Check all local and national building codes and gas regulations. All specifications are subject to change without prior notice due to on-going product improvements. Products may not be exactly as shown. Flame height and activity is influenced by varying vent configurations and may not appear as shown. Napoleon® is a registered trademark of Wolf Steel Ltd. © Wolf Steel Ltd. EnerGuide - A Canadian efficiency standard based on frequent, short start-up and cool-down cycles. All appliances sold in Canada are subject to this EnerGuide rating system. AFUE- A US efficiency standard (Department of Energy) based on extended on/off cycles, more typical of fireplace usage. Steady State - Reflects the highest possible overall heating efficiency. Product images may vary due to safety barrier regulations coming into effect January 2015.