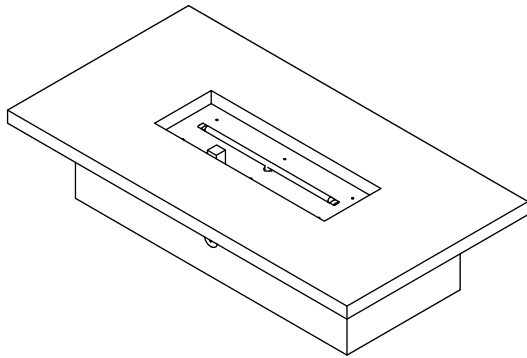
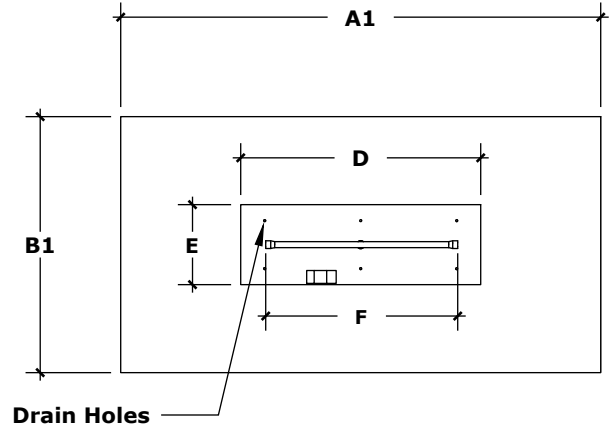


FREMONT FIRE PIT

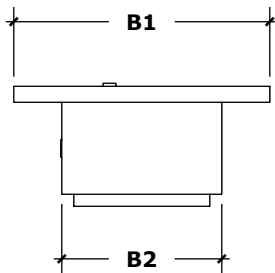
COPPER, CORTEN STEEL, STAINLESS STEEL, POWDER COATED



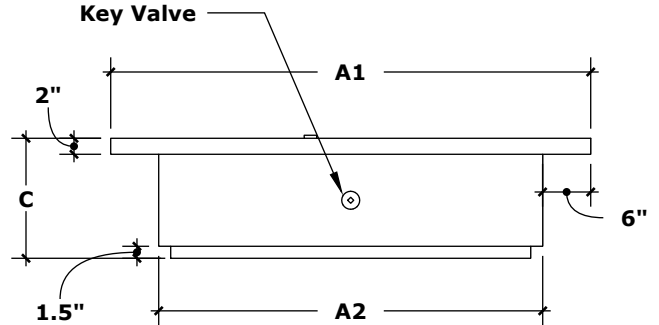
ISOMETRIC VIEW



TOP VIEW



RIGHT SIDE VIEW



FRONT SIDE VIEW

COPPER	CORTEN STEEL	STAINLESS STEEL	POWDER COATED	A1	A2	B1	B2	C	D	E	F	BTU
OPT-FRM CPR4815	OPT-FRM CS4815	OPT-FRM SS4815	OPT-FRM PC4815	48"	36"	32"	20"	15"	30"	10"	24"	40,000
OPT-FRM CPR6015	OPT-FRM CS6015	OPT-FRM SS6015	OPT-FRM PC6015	60"	48"	32"	20"	15"	42"	10"	36"	60,000
OPT-FRM CPR7215	OPT-FRM CS7215	OPT-FRM SS7215	OPT-FRM PC7215	72"	60"	32"	20"	15"	54"	10"	48"	80,000
OPT-FRM CPR8415	OPT-FRM CS8415	OPT-FRM SS8415	OPT-FRM PC8415	84"	72"	32"	20"	15"	66"	10"	60"	100,000

Pan Material: 304 Stainless Steel
 Burner Material: 304 Stainless Steel

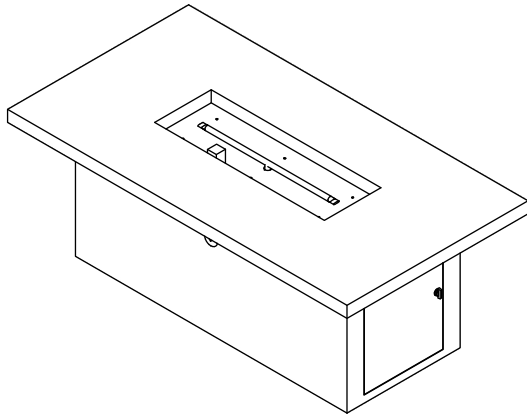
110V ELECTRONIC IGNITION
 ANSI Z21.97-(2017) / CSA 2.41-(2017)



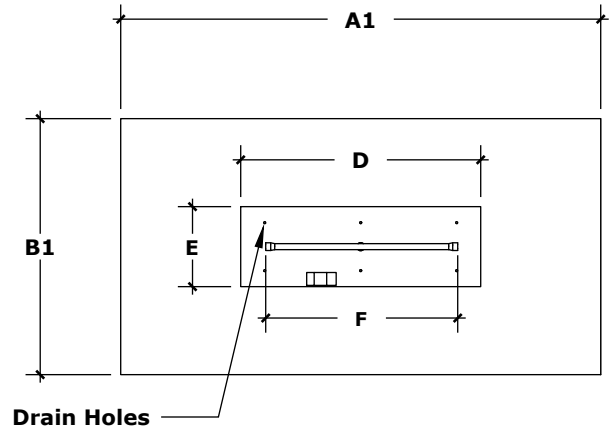
Match Lit Unit Includes: Pan, Burner, Gas Orifice, Gas Hoses, Key Valve, Key,
 110v Ignition Unit Includes: Pan, Burner, Gas Orifice, Gas Hoses, Key Valve, Key, Plug & Play Electronic Valve, Pilot Igniter.

FREMONT FIRE PIT

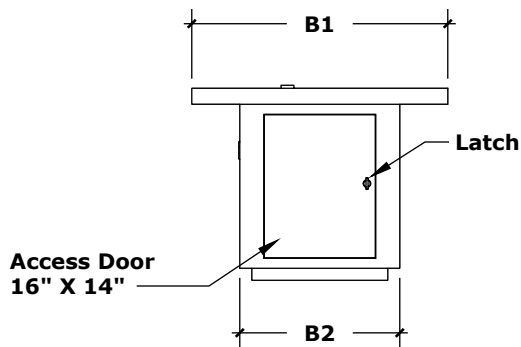
COPPER, CORTEN STEEL, STAINLESS STEEL, POWDER COATED



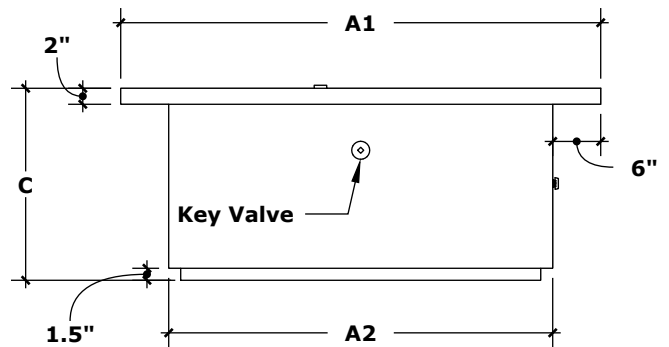
ISOMETRIC VIEW



TOP VIEW



RIGHT SIDE VIEW



FRONT SIDE VIEW

COPPER	CORTEN STEEL	STAINLESS STEEL	POWDER COATED	A1	A2	B1	B2	C	D	E	F	BTU
OPT-FRM CPR4824	OPT-FRM CS4824	OPT-FRM SS4824	OPT-FRM PC4824	48"	36"	32"	20"	24"	30"	10"	24"	40,000
OPT-FRM CPR6024	OPT-FRM CS6024	OPT-FRM SS6024	OPT-FRM PC6024	60"	48"	32"	20"	24"	42"	10"	36"	60,000
OPT-FRM CPR7224	OPT-FRM CS7224	OPT-FRM SS7224	OPT-FRM PC7224	72"	60"	32"	20"	24"	54"	10"	48"	80,000
OPT-FRM CPR8424	OPT-FRM CS8424	OPT-FRM SS8424	OPT-FRM PC8424	84"	72"	32"	20"	24"	66"	10"	60"	100,000

Pan Material: 304 Stainless Steel
 Burner Material: 304 Stainless Steel

Standard 2" Depth on all pans

110V ELECTRONIC IGNITION
 ANSI Z21.97-(2017) / CSA 2.41-(2017)



Match Lit Unit Includes: Pan, Burner, Gas Orifice, Gas Hoses, Key Valve, Key,
 110v Ignition Unit Includes: Pan, Burner, Gas Orifice, Gas Hoses, Key Valve, Key, Plug & Play Electronic Valve, Pilot Igniter.