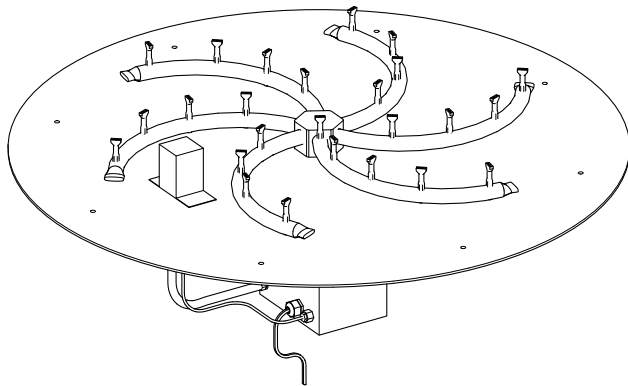
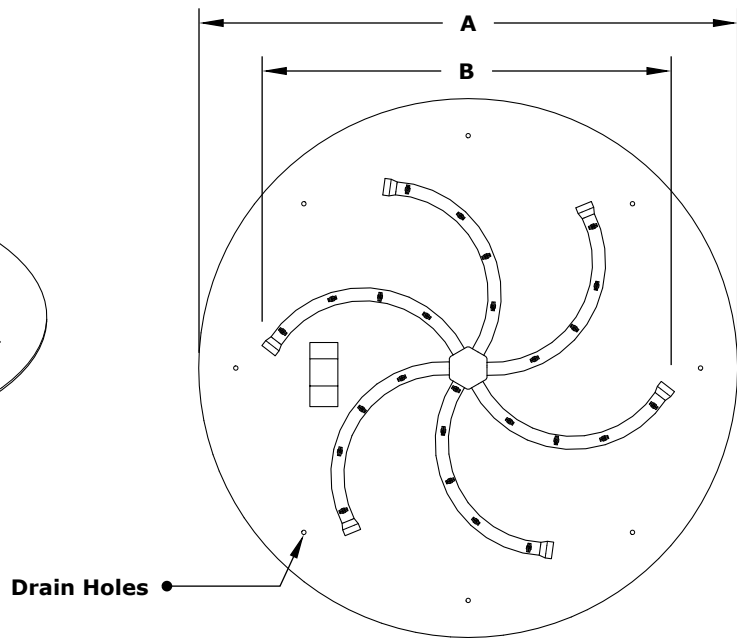


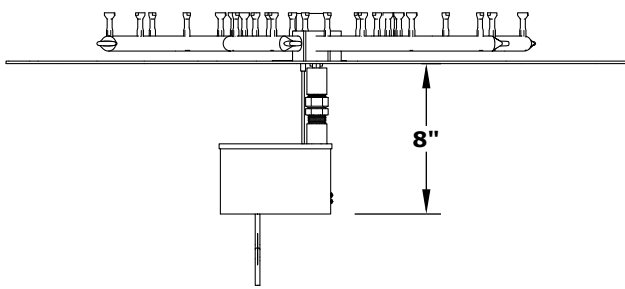
ROUND FLAT PAN & TRIPLE 'S' BULLET BURNER 12V ELECTRONIC IGNITION



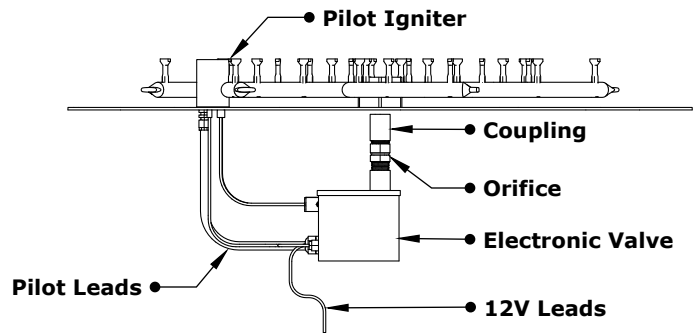
ISOMETRIC VIEW



TOP VIEW



RIGHT SIDE VIEW



FRONT SIDE VIEW

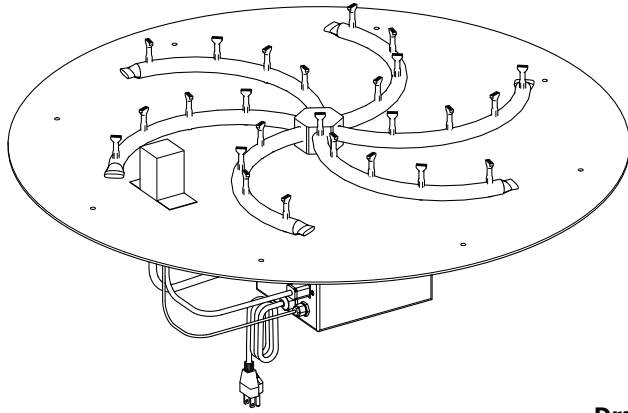
| BRASS SKU | STAINLESS STEEL SKU | A | B | INLET | BTU |
|----------------|---------------------|-----|-----|-------|---------|
| OPT-BFP18RE12 | OPT-BFP18RSSE12 | 18" | 8" | 1/2" | 50,000 |
| OPT-BFP182RE12 | OPT-BFP182RSSE12 | 18" | 12" | 1/2" | 75,000 |
| OPT-BFP24RE12 | OPT-BFP24RSSE12 | 24" | 18" | 1/2" | 110,000 |
| OPT-BFP30RE12 | OPT-BFP30RSSE12 | 30" | 24" | 1/2" | 145,000 |
| OPT-BFP36RE12 | OPT-BFP36RSSE12 | 36" | 30" | 3/4" | 180,000 |
| OPT-BFP48RE12 | OPT-BFP48RSSE12 | 48" | 36" | 3/4" | 220,000 |
| OPT-BFP60RE12 | OPT-BFP60RSSE12 | 60" | 48" | 3/4" | 385,000 |

Pan Material: 304 Stainless Steel
 Burner Material: Brass / Stainless Steel
 Ignition Type: 12V Electronic Ignition
 (12V Transformer Included)

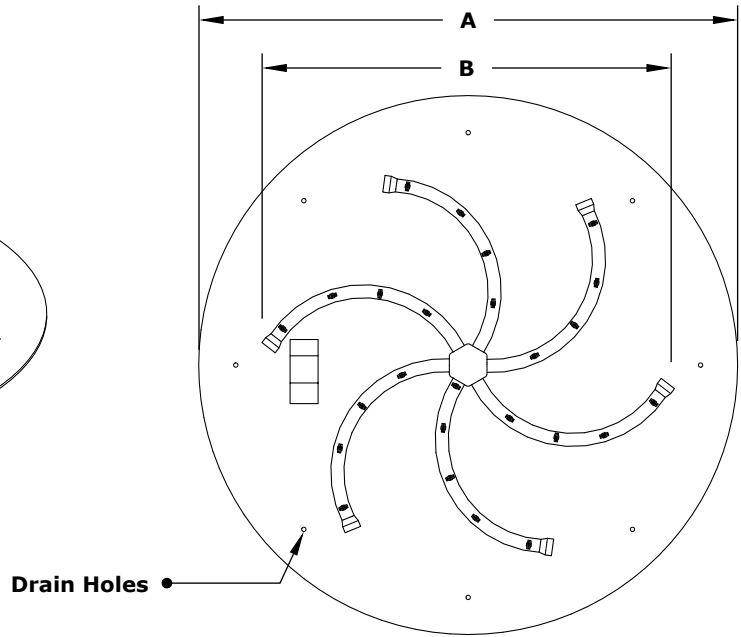
 **12V ELECTRONIC IGNITION**
 ANSI Z21.97-(2017) / CSA 2.41-(2017)

Includes: Pan, Burner, Electronic Valve,
 Pilot Igniter, 12V Transformer.

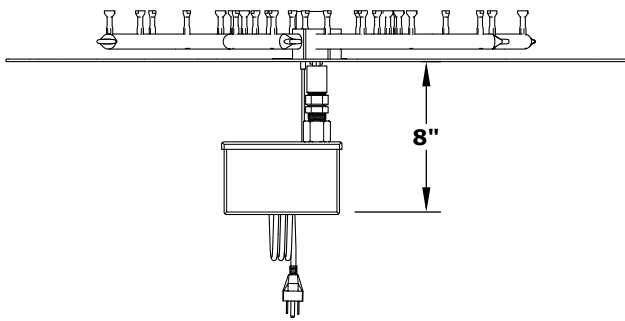
ROUND FLAT PAN & TRIPLE 'S' BULLET BURNER 110V ELECTRONIC IGNITION



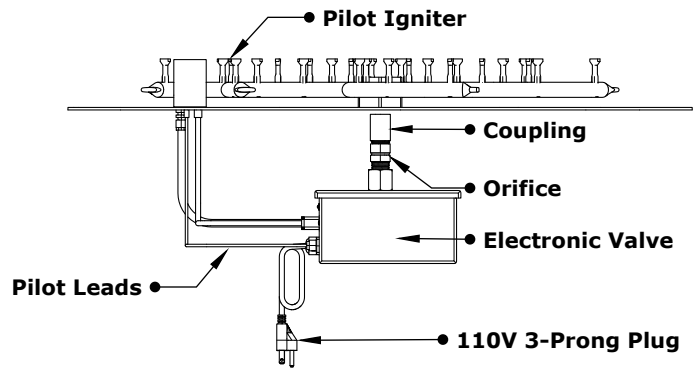
ISOMETRIC VIEW



TOP VIEW



RIGHT SIDE VIEW



FRONT SIDE VIEW

| BRASS SKU | STAINLESS STEEL SKU | A | B | INLET | BTU |
|-----------------|---------------------|-----|-----|-------|---------|
| OPT-BFP18RE110 | OPT-BFP18RSSE110 | 18" | 8" | 1/2" | 50,000 |
| OPT-BFP182RE110 | OPT-BFP182RSSE110 | 18" | 12" | 1/2" | 75,000 |
| OPT-BFP24RE110 | OPT-BFP24RSSE110 | 24" | 18" | 1/2" | 110,000 |
| OPT-BFP30RE110 | OPT-BFP30RSSE110 | 30" | 24" | 1/2" | 145,000 |
| OPT-BFP36RE110 | OPT-BFP36RSSE110 | 36" | 30" | 3/4" | 180,000 |
| OPT-BFP48RE110 | OPT-BFP48RSSE110 | 48" | 36" | 3/4" | 220,000 |
| OPT-BFP60RE110 | OPT-BFP60RSSE110 | 60" | 48" | 3/4" | 385,000 |

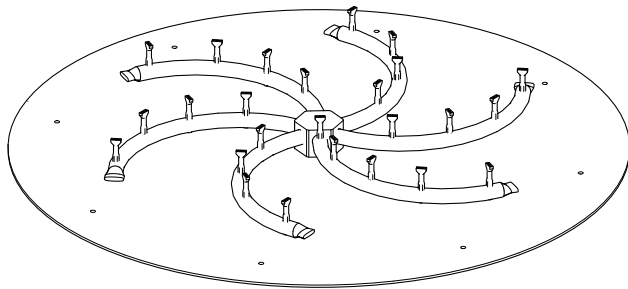
Pan Material: 304 Stainless Steel
 Burner Material: Brass / Stainless Steel
 Ignition Type: 110V Electronic Ignition



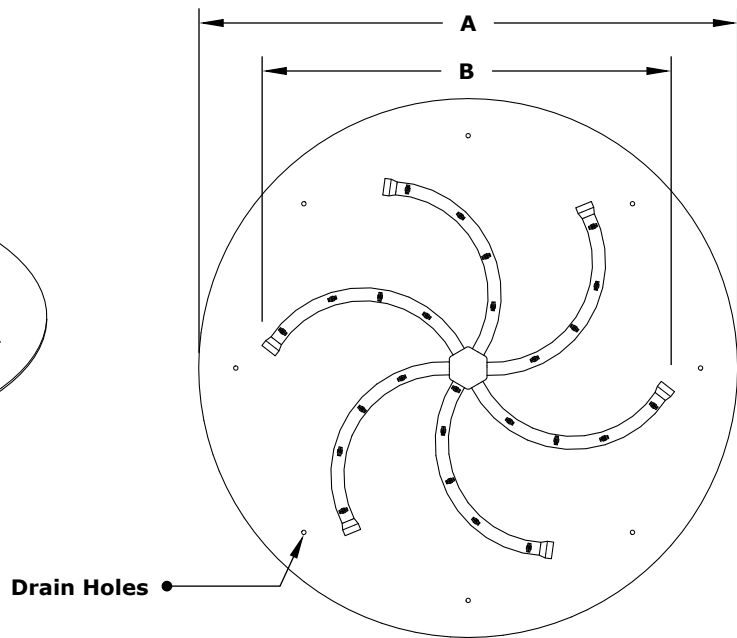
110V ELECTRONIC IGNITION
 ANSI Z21.97-(2017) / CSA 2.41-(2017)

Includes: Pan, Burner, Electronic Valve,
 Pilot Igniter

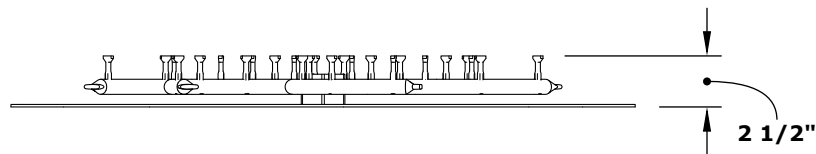
ROUND FLAT PAN & TRIPLE 'S' BULLET BURNER MATCH LIT



ISOMETRIC VIEW



TOP VIEW



FRONT SIDE VIEW

| SKU | A | B | INLET | BTU |
|-------------|-----|-----|-------|---------|
| OPT-BFP18R | 18" | 8" | 1/2" | 50,000 |
| OPT-BFP182R | 18" | 12" | 1/2" | 75,000 |
| OPT-BFP24R | 24" | 18" | 1/2" | 110,000 |
| OPT-BFP30R | 30" | 24" | 1/2" | 145,000 |
| OPT-BFP36R | 36" | 30" | 3/4" | 180,000 |
| OPT-BFP48R | 48" | 36" | 3/4" | 220,000 |
| OPT-BFP60R | 60" | 48" | 3/4" | 385,000 |

Pan Material: 304 Stainless Steel
 Burner Material: Brass
 Includes: Pan, Burner