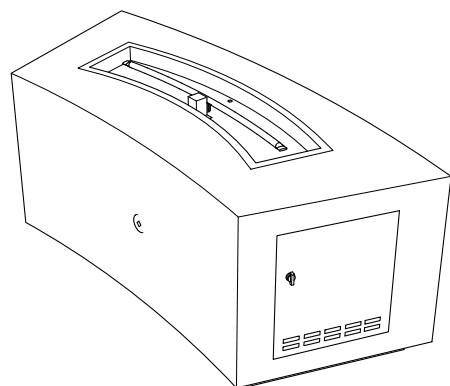
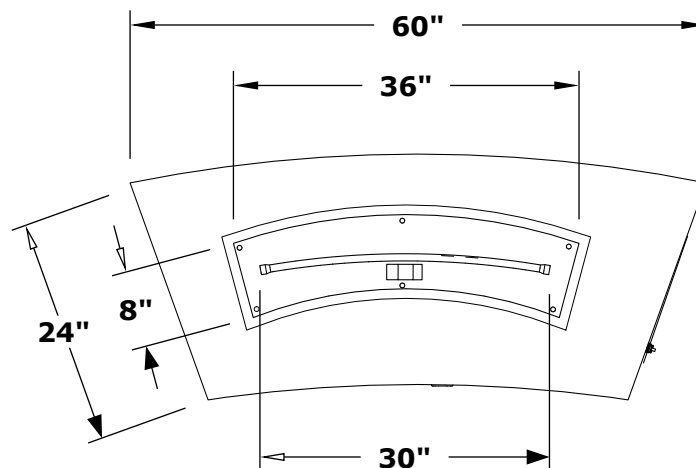


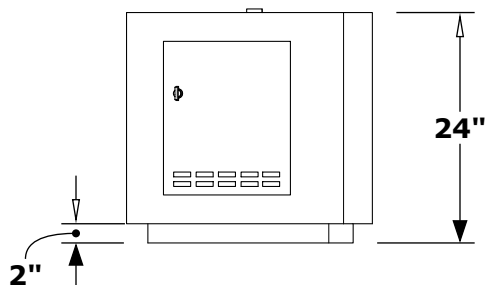
DIXIE FIRE PIT



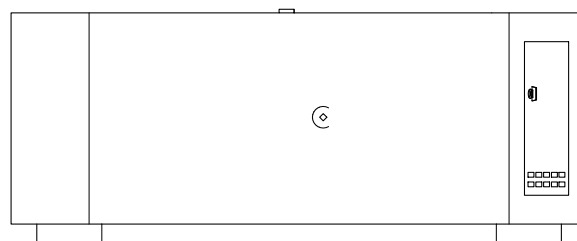
ISOMETRIC VIEW



TOP VIEW



RIGHT SIDE VIEW



FRONT SIDE VIEW

Hammered Copper	Corten Steel	Stainless Steel	Powder Copper	A	B	C	D	E	F	BTU
OPT-DXCPR60	OPT-DXCS60	OPT-DXSS60	OPT-DXPC60	60"	24"	24"	36"	8"	30"	65,000
OPT-DXCPR72	OPT-DXCS72	OPT-DXSS72	OPT-DXPC72	72"	24"	24"	48"	8"	36"	65,000

Fire Pit Material: Various Metals
Pan Material: 304 Stainless Steel
Burner Material: 304 Stainless Steel

Standard 1" Flange on all pans
Standard 2" Depth on all pans

110V ELECTRONIC IGNITION
ANSI Z21.97-(2017) / CSA 2.41-(2017)



Match Lit Unit Includes: Pan, Burner, Gas Orifice, Gas Hoses, Key Valve, Key,
110v Ignition Unit Includes: Pan, Burner, Gas Orifice, Gas Hoses, Key Valve, Key, Plug & Play Electronic Valve, Pilot Igniter.