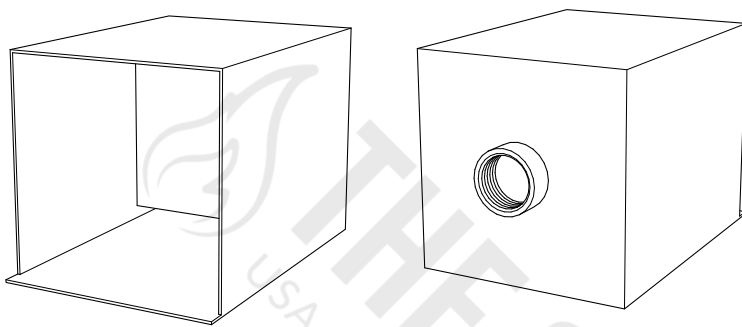
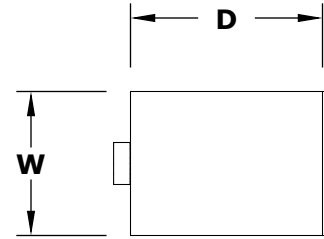


**BOX STYLE SCUPPER**  
STAINLESS STEEL / COPPER



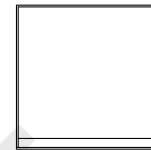
**ISOMETRIC VIEW(x2)**



**TOP VIEW**



**RIGHT SIDE VIEW**



**FRONT SIDE VIEW**

PART NUMBER	W	H	D	Inlets
OPT-BX6	8"	4"	7"	1 Inlet
OPT-BX8	12"	4"	7"	1 Inlet
OPT-BX10	24"	4"	7"	1 Inlet
OPT-BX12	36"	4"	7"	1 Inlet

Scupper Material: 316 Stainless Steel / Copper

<b>Drawn By</b>	Murguia M.
<b>Date Created</b>	August 6, 2021