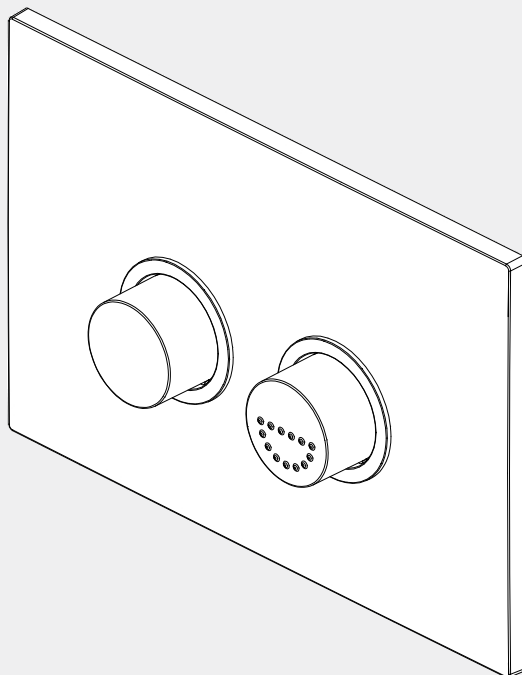


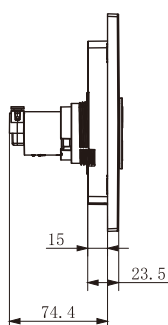
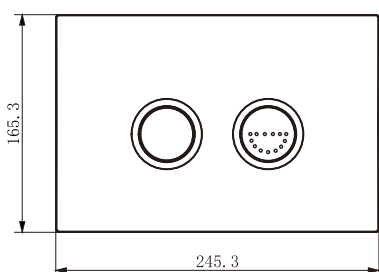
Raised Disabled Care Pneumatic Flush Buttons Plate DDA Compliant

Nero



Versions:202401







Drawing



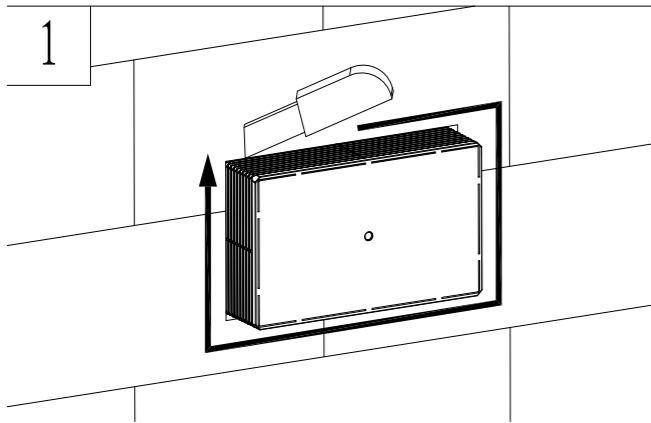
Packaging Includes

1x Toilet Push Plate

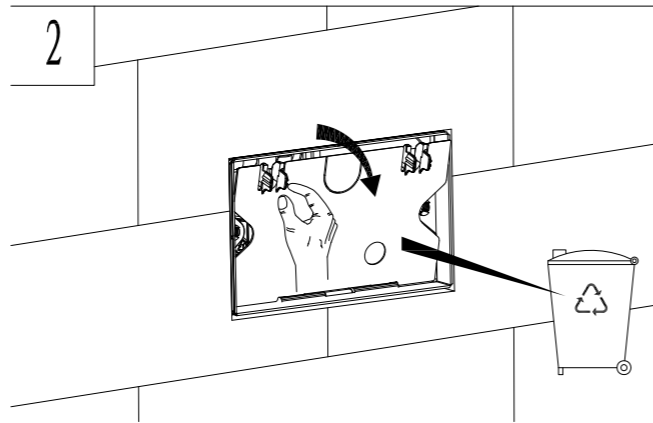
Finish & SKU

 Chrome NRCRPL002CH	 Gun Metal NRCRPL002GM	 Brushed Bronze NRCRPL002BZ
 Matte Black NRCRPL002MB	 Brushed Gold NRCRPL002BG	 Brushed Nickel NRCRPL002BN

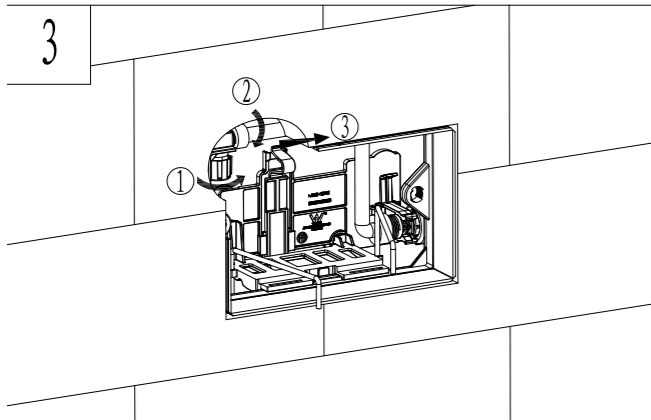
*Dimensions are nominal measurements only.



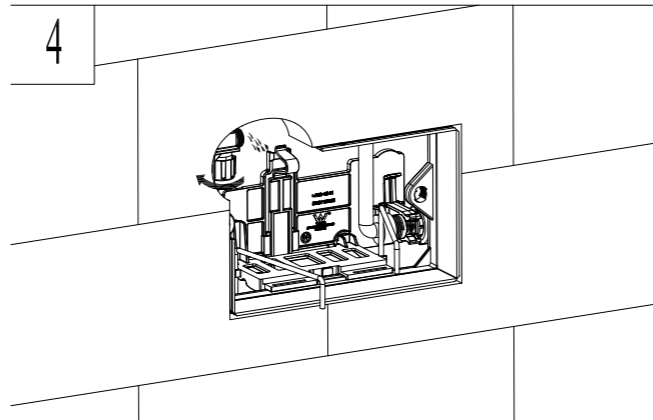
1 Ensure the wall opening is clean and of the right dimensions for the flush button unit.



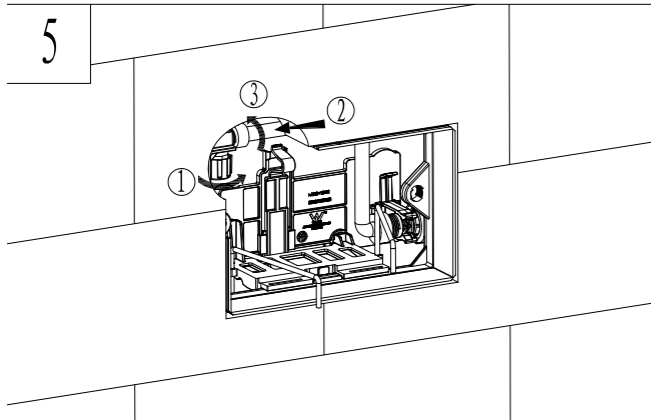
2 Squeeze clips to remove cistern plate.



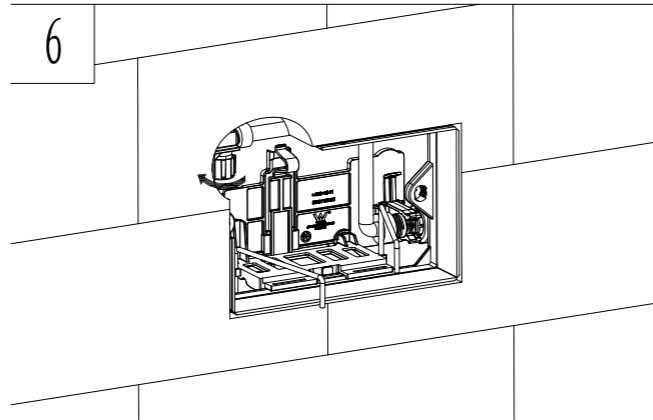
3 Remove hose follow by 1, 2, 3 direction.



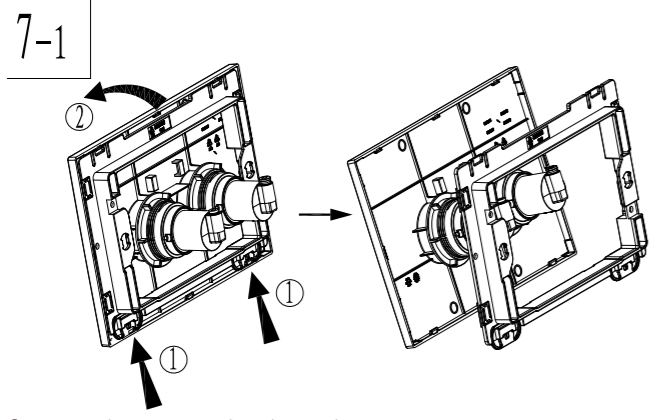
4 Turn on valve to flush out debris.



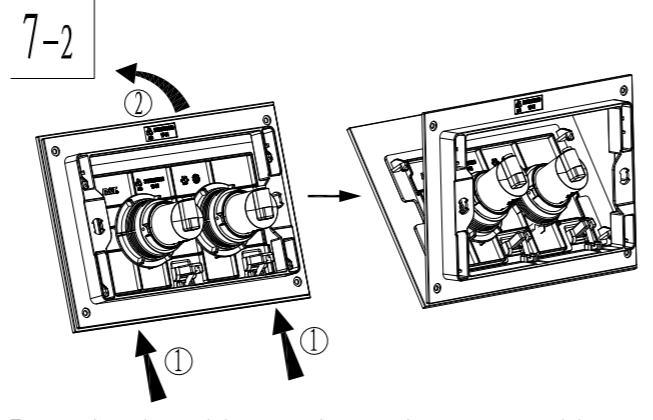
5 Reconnect hose follow by 1, 2, 3 direction.



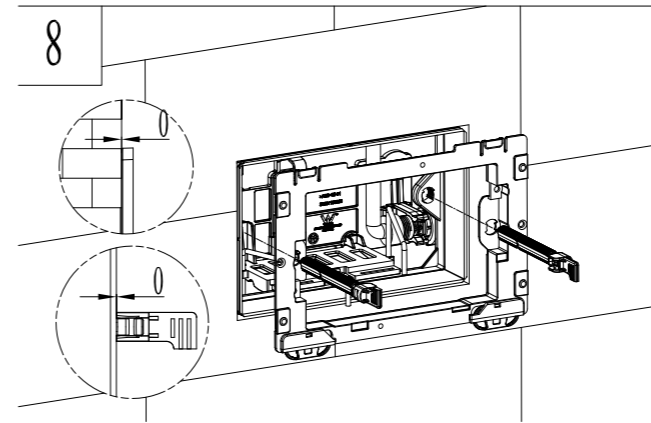
6 Turn valve on and check for leaks.



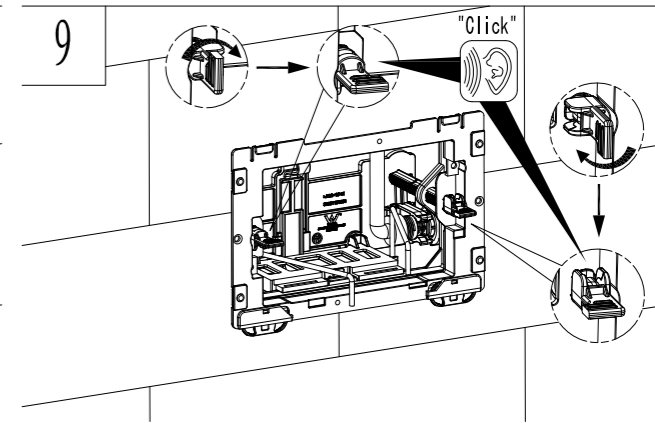
7-1 Connect the pneumatic tube to the actuator.



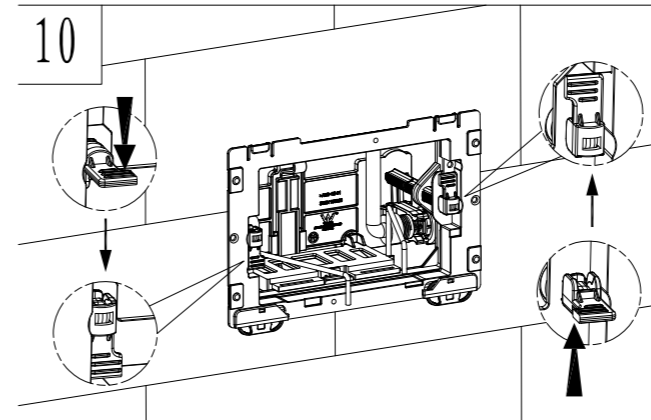
7-2 Ensure the tube and the mounting panel are secure and there are no kinks.



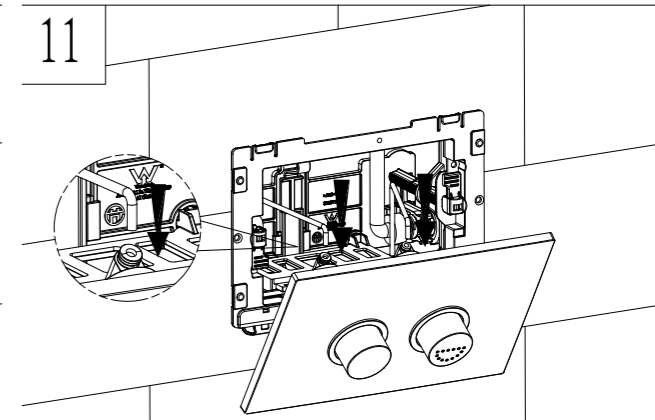
8 Hold mounting panel vertically and fit lock threads into the cistern plate holes.



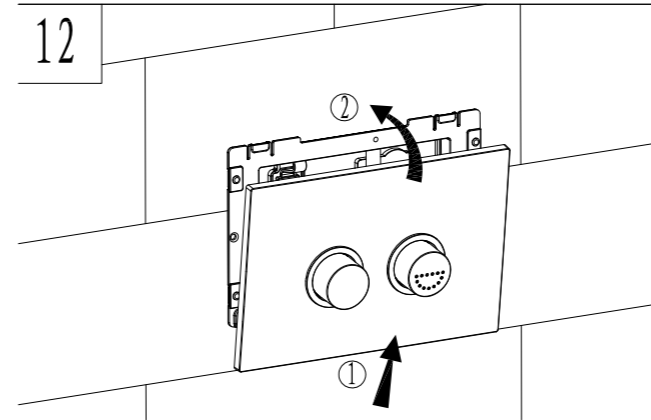
9 Lock in the mounting panel by twisting locking thread clockwise with a 'click' sound.



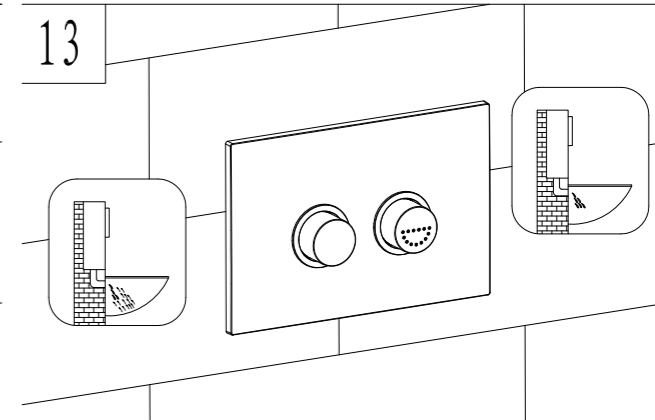
10 Fold the two tabs in.



11 Fit rods into outlet flush valve by inserting through holes where arrows pointing at.



12 Align and attach the faceplate to the panel.



13 Finished.

Nero

info@nerotapware.com.au
nerotapware.com.au

11-13 Buontempo Road
Carrum Downs Vic 3201

