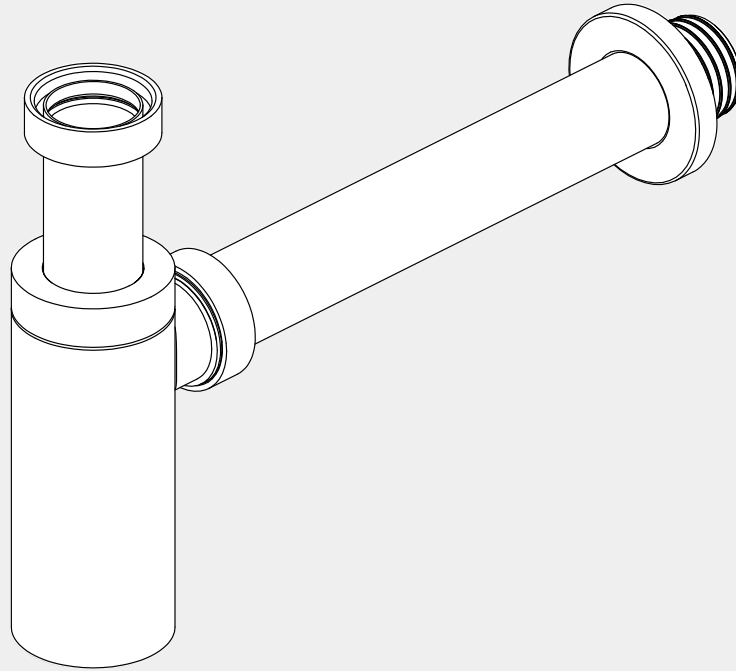


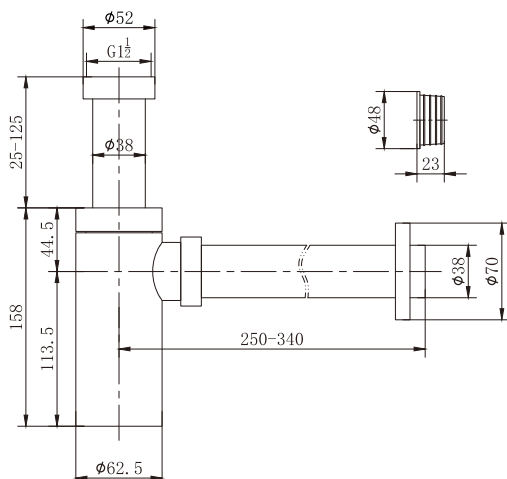
40mm Round Bottle Trap

Nero



Versions:202311

Drawing



Specifications

SKU

NRA186w










Watermark License

WMK26021

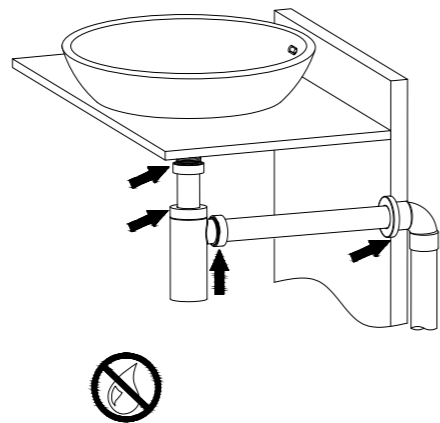
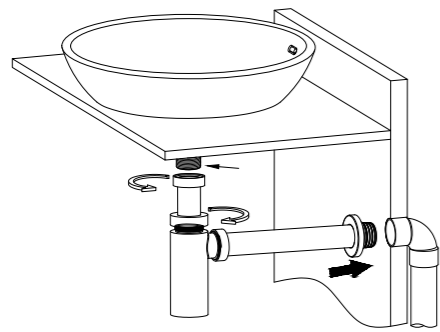
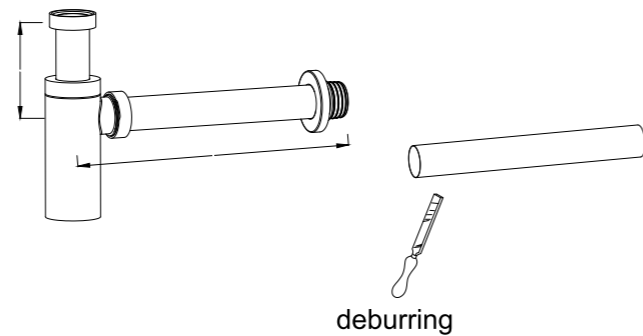
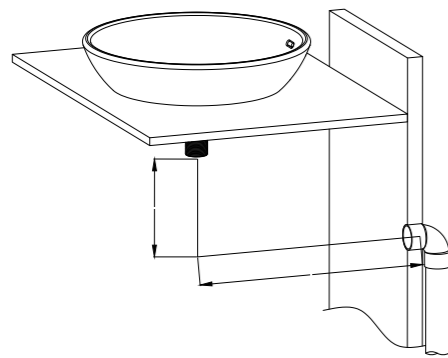
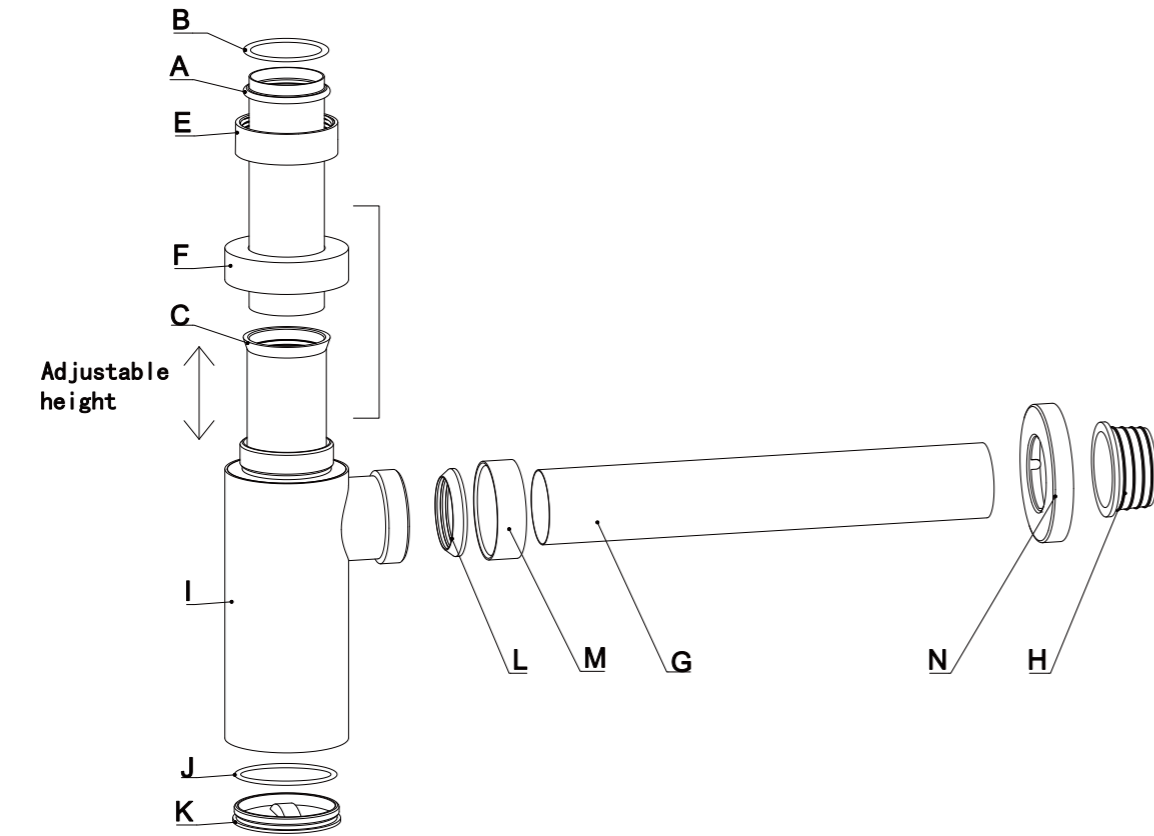
Packaging Includes

1x bottle trap

Finish

 Chrome NRA186wCH	 Gun Metal NRA186wGM	 Brushed Bronze NRA186wBZ	 Graphite NRA186wGR
 Matte Black NRA186wMB	 Brushed Gold NRA186wBG	 Matte White NRA186wMW	 Brushed Nickel NRA186wBN
 Aged Brass NRA186wAB			

*Dimensions are nominal measurements only.



1. Install the bottle trap as per bottle trap installation instructions.
2. Cut the protruding part of wall drain pipe from the wall or the back of the vanity cabinet leaving 1mm to 5mm protruding. The pipe should be cut square to the wall/vanity cabinet and deburred.
3. Fit union (L ,M) to out let side of bottle trap (I). Do not completely tighten as removal and adjustment will be required during installation.
4. Fit the bottle trap to the plug and waste using sealing washer (B) do not completely tighten as removal and adjustments may be necessary.
5. Lubricate end of bottle trap outlet pipe (G) with plumbers grade grease or soapy water, fit key seal (H) supplied to end of outlet pipe (G).
6. Slide outlet pipe (G) with rubber Key seal (H) into wall drain pipe until raised edge of key seal(H) is against wall drain pipe.
7. Loosen compression nut (F) and adjust height of bottle trap inlet pipe (A) and align outlet pipe (G) to the side of the bottle trap outlet assembly (L ,M). Mark outlet pipe 30mm longer than compression nut (M) edge when outlet assembly(L,M) is fully assembled. Cut the outlet pipe (G) using pipe cutter and deburr pipe edges. Slide wall flange (N) onto outlet pipe.
8. Remove bottle trap from waste. Assemble outlet pipe (G) to bottle trap, do not tighten completely as adjustment will be required during installation.
9. Lubricate key seal (H) on end of outlet pipe, push key seal and pipe into wall drain pipe.
10. Reconnect bottle trap to plug and waste.
11. Adjust bottle trap to required position and tighten all connections.
12. Fill basin with water and drain. Check bottle trap for any leaks.

Nero

info@nerotapware.com.au
nerotapware.com.au

11-13 Buontempo Road
Carrum Downs Vic 3201

