

Heated Vertical Towel Rail

Installation Guide



Contents

What's in the box? 3

Concealed Wiring Installation 4

Wiring Diagram 5

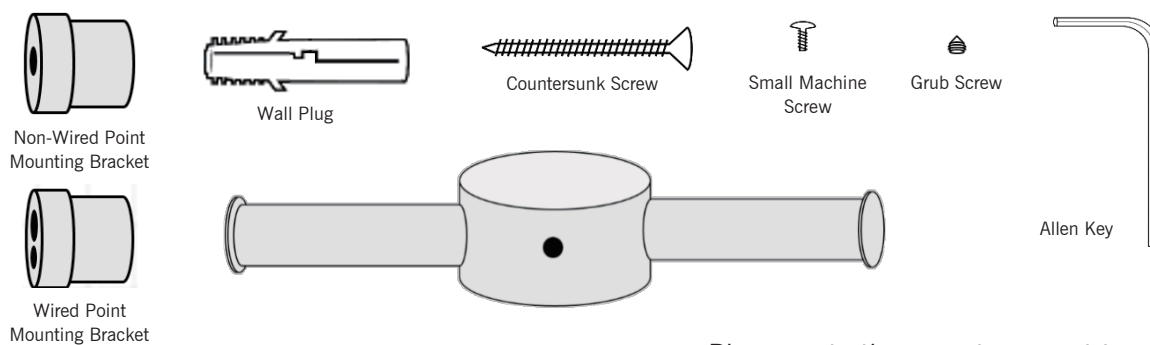
Technical Specifications 5

Safety & Care Information 6

What's in the box?

Check you've got everything:

- Nero Heated Vertical Towel Rail
- 12Volt Transformer
- Screw Kit including:
 - 1 x Non-Wired Mounting Bracket
 - 1 x Wired Mounting Bracket
 - 2 x Wall Plugs
 - 2 x Countersunk Screws
 - 1 x Small Machine Screw
 - 2 x Grub Screws (Supplied inside bar)
 - 1 x Hook
 - 1 x Allen Key

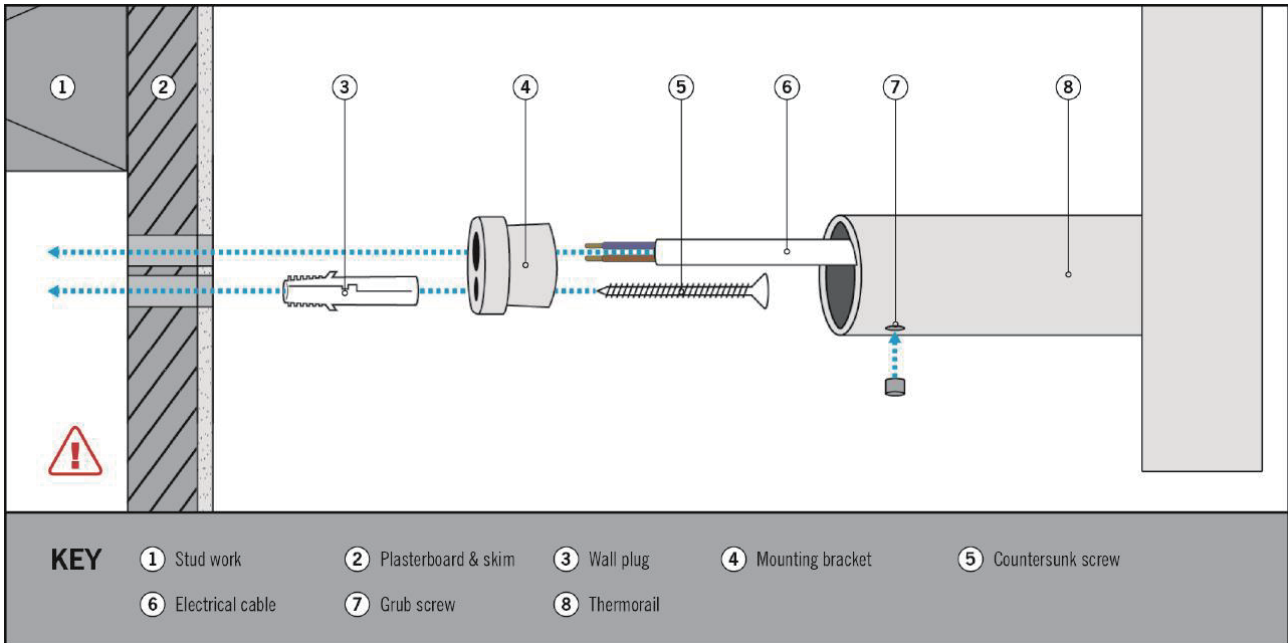


Please note these parts are not to scale

You will also need:

- Cross Head Screwdriver
- Pencil
- Spirit Level
- Tape Measure
- Drill Bits
- Cordless Drill
- Electrical Supply

Concealed Wiring Installation



1. Switch off the mains power

You will be installing the heated towel rail as part of a high voltage mains electrical circuit. To ensure your safety and to protect the heated towel rail, switch off the mains power before you start the installation.

2. Install the transformer

The transformer is to be installed in the ceiling or the wall cavity no further than 2m from the rails and needs to be connected to the mains power supply in accordance with current local building regulations. If mounting in the wall cavity the transformer must be behind an access plate or a timer/switch to enable access and the transformer must have ventilation.

3. Install two wall brackets

Measure and mark out the bracket positions making sure they are level. Drill a 6mm hole for each of the two wall brackets and an extra hole for the cable at the wiring point and insert suitable wall plugs. Fix the two mounting brackets in place using a screwdriver and screws.

4. Electrical Connections

Ensure your electrical supply is switched off. Push the cable through the hole in the wall bracket and connect to the transformer previously installed (refer to the wiring diagrams opposite). Please note multiple rails need to be wired in parallel.

5. Fix Nero Heated Vertical Towel Rail

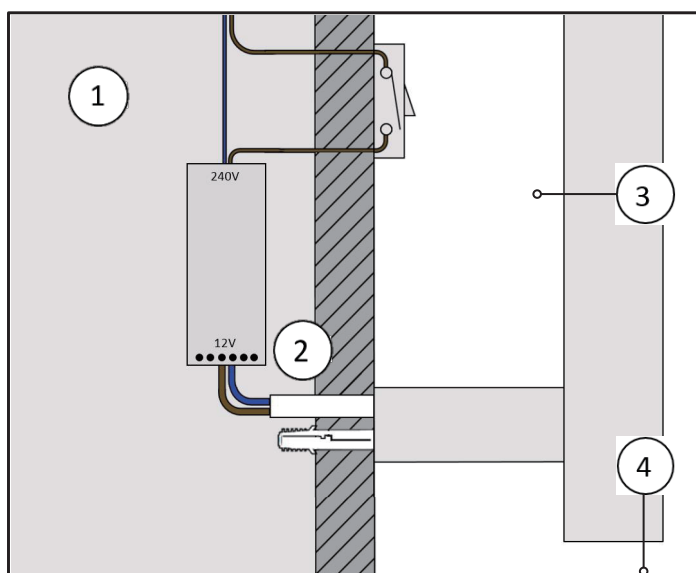
Fit the heated towel rail to the mounting brackets installed on the wall. You may need assistance to hold the rail in place. Tighten the grub screws on the two wall mount arms using the allen key provided.

Concealed Wiring Installation & Technical Specifications

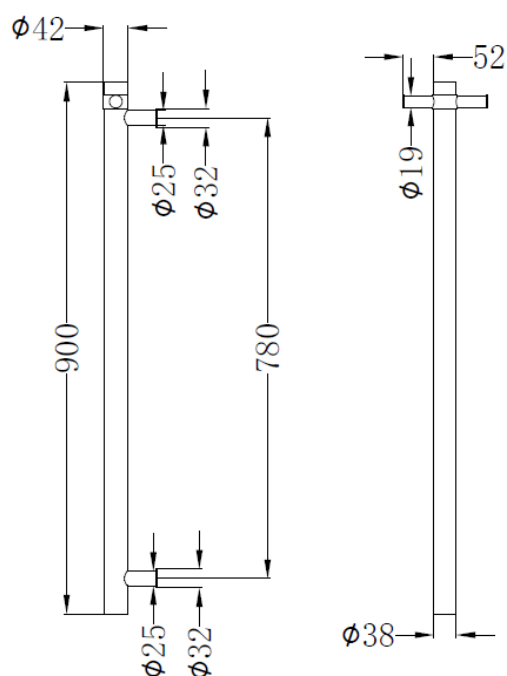
6. Fix the hook to the vertical bar

Please note that the hook is optional and is not necessary for the unit to operate. Slide the hook on the top of the vertical bar (ensuring that the small screw hole is facing towards the wall) and hold in desired position. Use the small machine screw to fix in position.

Transformer Wiring Diagram



- Key
1. Wall Cavity
 2. Transformer
 3. Switch/Timer
 4. heated towel rail



Technical Specifications

CODE	NO. OF BARS	SIZE (MM)	OUTPUT WATTAGE	WARRANTY
VS900HBZ	1	W142 x H900 x D100	30	10 year
VS900HBG	1	W142 x H900 x D100	30	10 year
VS900HGR	1	W142 x H900 x D100	30	10 year
Supply Voltage	240V 50Hz			
Transformer Voltage	12V			
Wiring Method	Hardwired			
Warranty on Transformer	1year			

Safety & Care Information

Safety Information

Nero Heated Towel Rails should be installed and tested by a qualified electrician and in accordance with current local regulations. We recommend that the rail is installed onto a flat uniform wall, with the bottom at least 600mm from the floor, with a 300mm clearance from permanent fixtures. Where possible the Nero Heated Towel Rail should be screwed into studs or if fixing to hollow walls suitable anchors should be used to ensure rail is secure.

Please read and understand this installation guide in full before commencing installation. If you have any queries in regards to installation, please call 1300 368 631.

- Observe and adhere to electrical guidelines when placing your Heated Towel Rail in wet areas
- Ensure any timers or switches used are installed in correct zones according to the IP rating of the timer/switch
- Ensure that your Heated Towel Rail is protected by a suitably rated RCD circuit
- Do not use the towel rail to hold towels or other articles that have been in contact with oil, petroleum based products or dry cleaning fluids
- This appliance is intended to warm and dry towels and therefore is hot to touch so when near young children or infirm persons, close supervision is necessary.
- Do not immerse your Heated Towel Rail in any liquid
- Ensure the transformer is located no further than 2m from the Heated Towel Rail(s)
- Ensure the transformer is accessible and has adequate ventilation
- Ensure multiple Heated Towel Rail are wired in parallel

Care Information

The Stainless Steel finish of your Nero Heated Towel Rail is hard wearing and easy to maintain. However, any harsh scrubbing, scratching or acid based cleaning products will damage the surface of your towel rail. Cleaning with a soft cloth and a non-abrasive cleaning agent will give the best results.