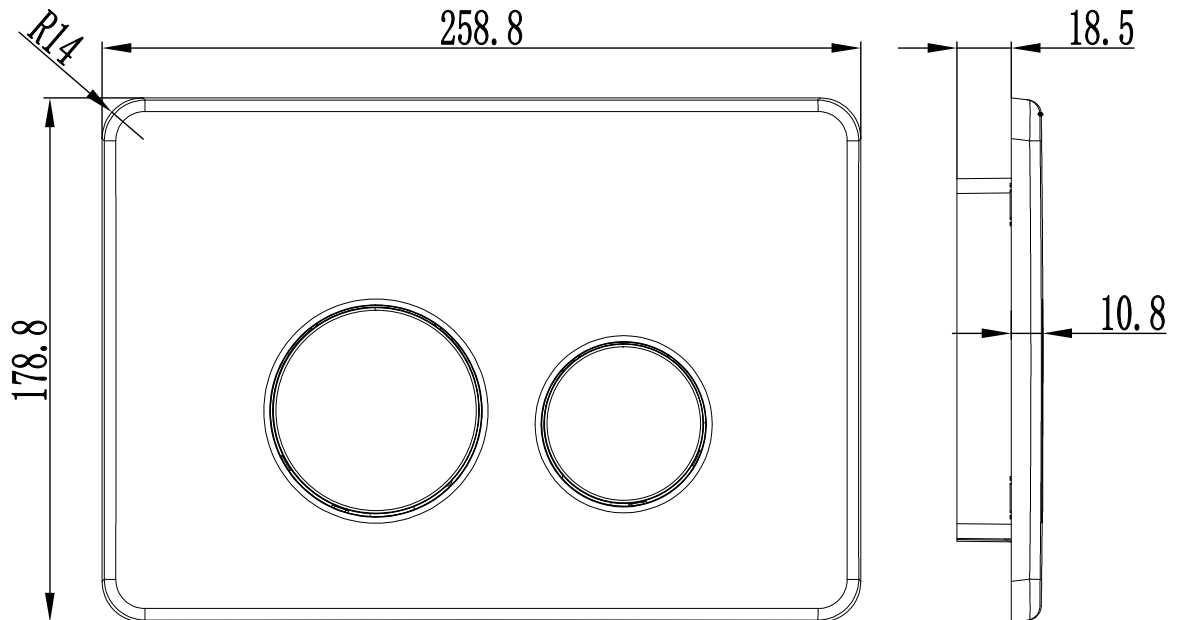
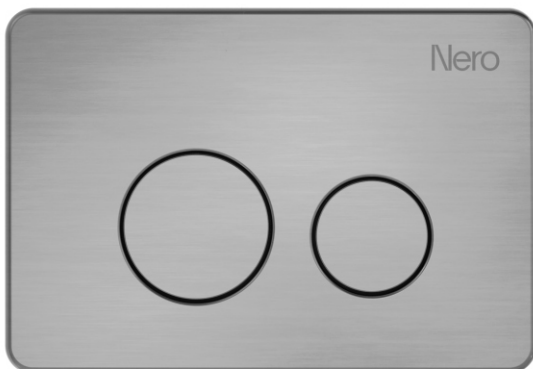


## In Wall Toilet Push Plate






### SPECIFICATION



PRODUCT CODE	PL001
MATERIAL	304 stainless steel

### AVAILABLE FINISH

	GUN METAL NRPL001GM		BRUSHED NICKEL NRPL001BN
	BRUSHED BRONZE NRPL001BZ		BRUSHED GOLD NRPL001BG
	GRAPHITE NRPL001GR		

Note:

Use with R&T cisterns only

