

paco jaanson

LUCERNE

Concealed Fixing Wall Hung Pan - Rimless Flushing System
Product Code: LT-053E-R/BUO146Q3



Pictured with Thick Flat UF - Quality Seat (BUO146Q3)

DESCRIPTION

The Lucerne toilet from Paco Jaanson is one of our most popular wall hung pan and will suit a classic & relaxed bathroom with its contemporary design and proven Paco Jaanson reliability.

The Rimless Flushing System is a unique feature of the Lucerne wall hung pan, making it a perfect upgrade or inclusion into any bathroom setting.

The pan is manufactured with a flawless production process and is hand finished with a superior glazing technique. The final result is determined by the connection between form and concept. Quality and comfort.

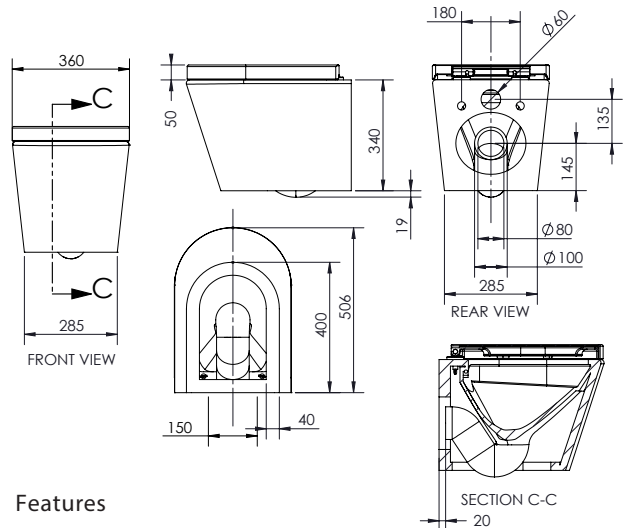
PRICING STRUCTURE

Retail Pricing:

LT-053E-R/BUO146Q3 LT-053E-R/HY2049
\$390.00 gst inclusive \$390.00 gst inclusive

Dimensions

360mm (w) x 510mm (d) x 360mm (h)



Features

Rimless Flushing System

Ptrap = 165mm Roughing-in from bottom of Pan

4 Star - Wels 3.5 Litres Average

15 Years Limited Manufacturers Warranty

1 Year Limited Commercial Warranty

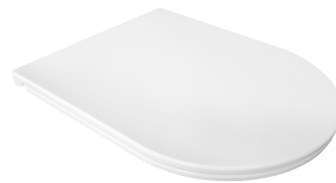
Thick Flat UF - Quality Seat (BUO146Q3) included

Made from Vitreous China

Concealed Fixing / Brackets Kit included

Available with Slim Flat UF - Quality Seat (HY2049)

Code: LT-053E-R/HY2049



PACO JAANSON BATHROOM INNOVATIONS

Copyright © 2020. All rights reserved. Updated 18th November 2021.

Telephone : 1800 006 260

Email - info@pacojaanson.com.au

www.pacojaanson.com.au

paco jaanson

LUCERNE

Concealed Fixing Wall Hung Pan - Rimless Flushing System

Product Code: LT-053E-R/BUO146Q3

Dimensions

360mm (w) x 510mm (d) x 360mm (h)



QuickRelease
Thick Flat UF
Quality Seat
(BUO146Q3)

Hygienic Rimless
Flushing System

Smooth clean lines
for easy cleaning

Vitreous china for
added hygiene

Short projection
pan (510mm)



Thick Flat UF
Quality Seat
(BUO146Q3)

LT-053E-R/BUO146Q3



Available with
Thin Flat UF
Quality Seat
(HY2049)

LT-053E-R/HY2049



All installations should be carried out by a qualified tradesman in compliance with the national Plumbing & Drainage Code and any State or Local Authority Regulations, in accordance with AS/NZS 3500 series of standards and AS/NZA 6400.

WARRANTY STATEMENT

Paco Jaanson vitreous china is guaranteed for 15 years (seat cover, accessories, valves, washers are guaranteed for 1 year) from date of purchase subject to the following conditions:

1. Installation has been carried out by a licensed plumber in accordance with the plumbing code of Australia.
2. All maintenance and adjustments to the product after the installation have been carried out by a licensed plumber.
3. Only mild household detergents and soft (non-abrasive) cloth has been used to clean the product.
4. All goods of substandard quality manufacture (excluding imperfections permitted within AS1976 - vitreous china used in sanitary applications) will be credited or replaced by Paco Jaanson when advised within the warranty period, subject to prior inspection and agreement.
5. Proof of purchase is required for warranty claims.

FULL WARRANTY & CONDITIONS

www.pacojaanson.com.au

LIMITATIONS

To the extent permitted under the Trade Practices Act and other relevant legislation, Paco Jaanson's liability is limited to: The cost of replacing the goods, or The cost of obtaining equivalent goods, or The cost of having the goods repaired. Paco Jaanson is not responsible for any lack of operation or performance of goods (or any loss or damage) where goods are used or adapted for a with other goods not supplied by Paco Jaanson. It is the responsibility of the customer and installer before installation to ensure are correct and free of obvious visible faults. Paco Jaanson is not responsible for the labour and rectification costs incurred in the above circumstance.

PRICING STRUCTURE

Retail Pricing:

LT-053E-R/BUO146Q3

LT-053E-R/HY2049

\$390.00 gst inclusive

\$390.00 gst inclusive

PACO JAANSON BATHROOM INNOVATIONS

Copyright © 2020. All rights reserved. Updated 18th November 2021.

Telephone : 1800 006 260

Email - info@pacojaanson.com.au

www.pacojaanson.com.au