

INSTALLATION INSTRUCTION Toilet Support Arms

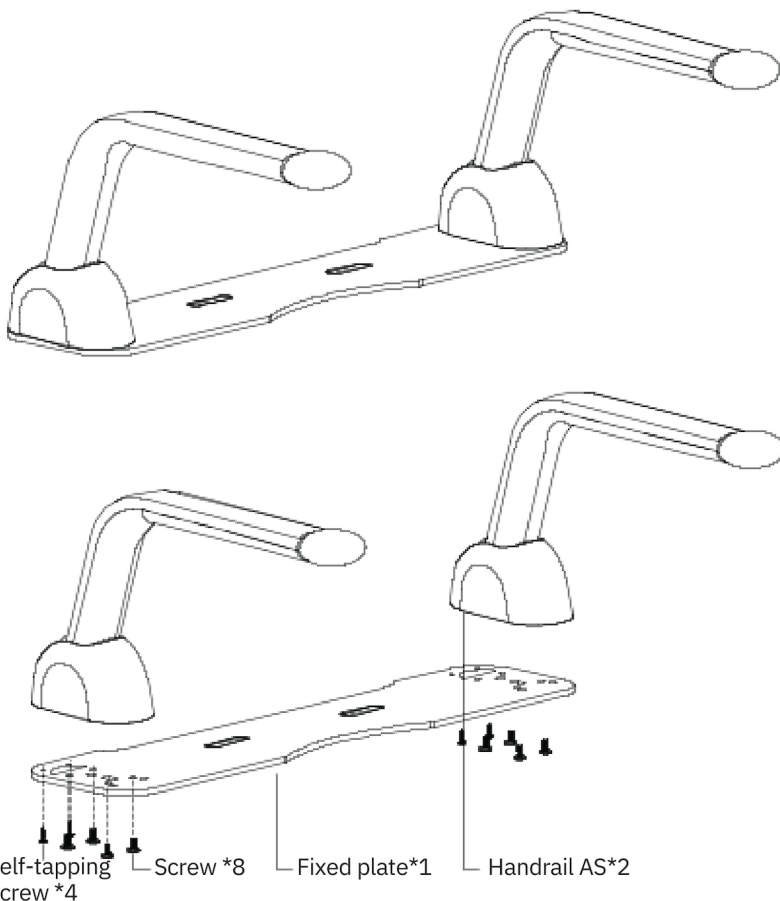
AVAIL | P: 1300 945 720

E: info@avail.design




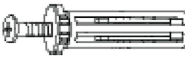

NOTE

- Please read the instructions carefully to understand our toilet support arms and prepare the necessary tools for installation in advance. Correctly install the toilet arms according to the instructions. This will help avoid hurting you, your family and your property.
- Please keep the instructions available after reading it carefully.

Toilet Support Arms and Accessory set



Parts

	Self-tapping Screw x4
	Screw x8
	Shim x2
	Integrated Screw Kit x2
	Instructions x1

Intallation Tools Needed



Screwdriver



Soft wet cloth

Cautions

As shown in Figure 1, Toilet Seat applicable to the support arm must satisfy the requirements below:

- 1.To prevent interference between the arm rest end and the toilet cistern, the area of $A \geq 60\text{mm}$ shall be flat.
- 2.Distance between the installation holes in the toilet seat: $130\text{mm} \leq B \leq 200\text{mm}$.

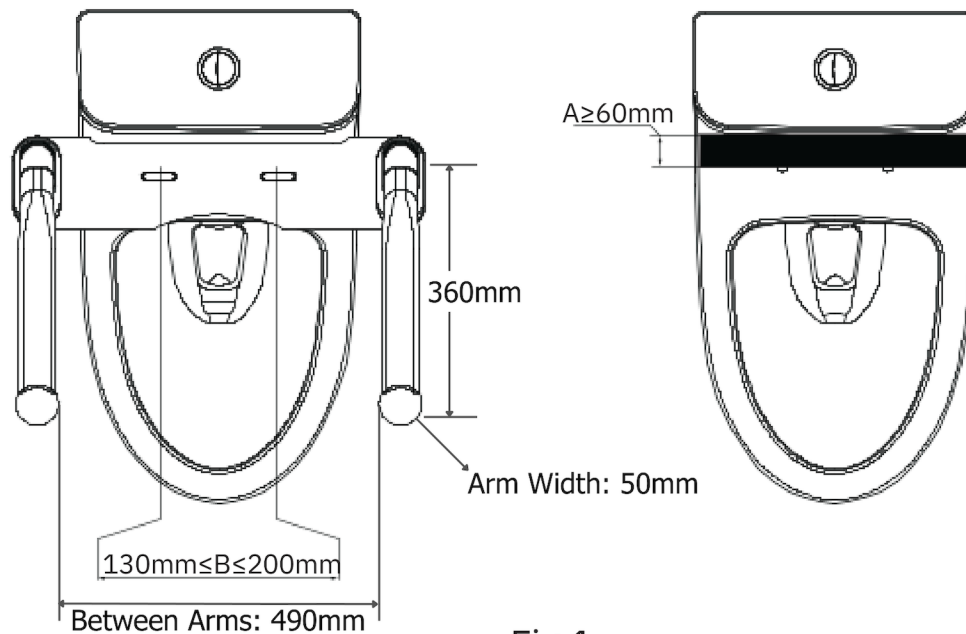
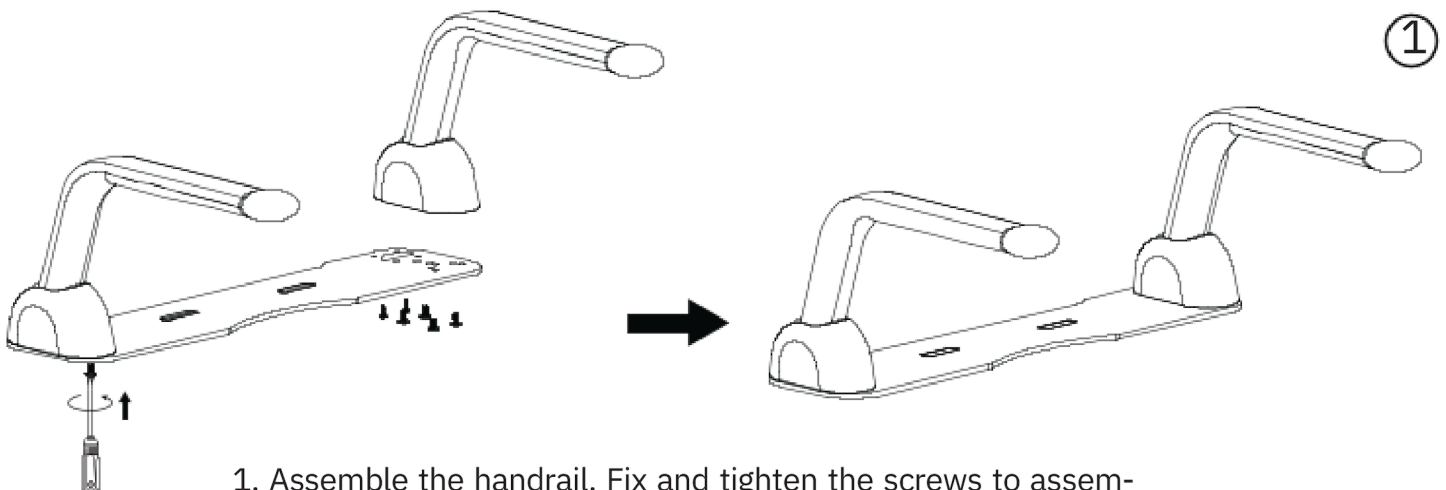
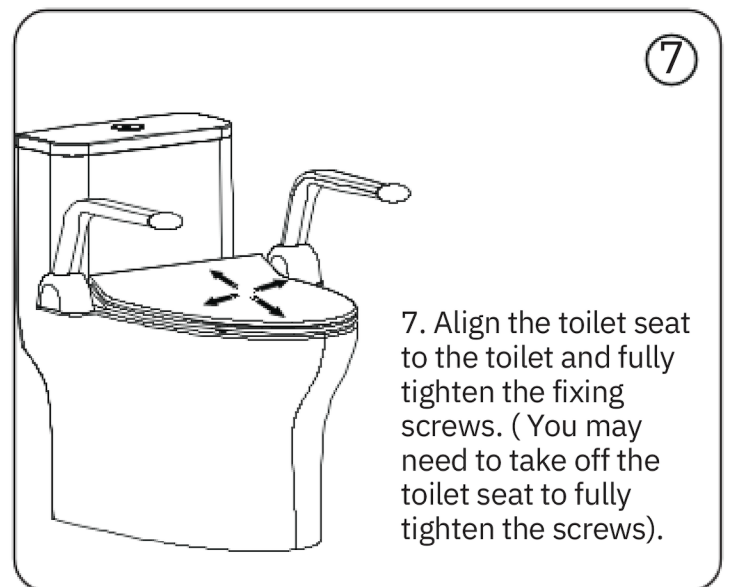
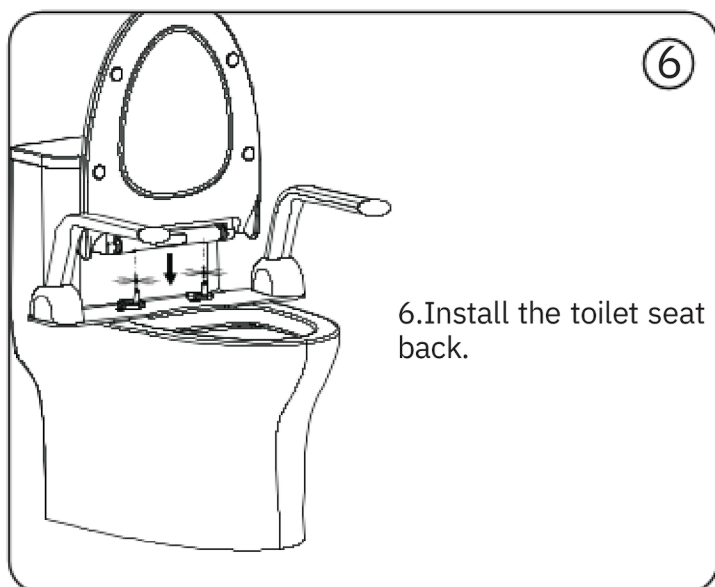
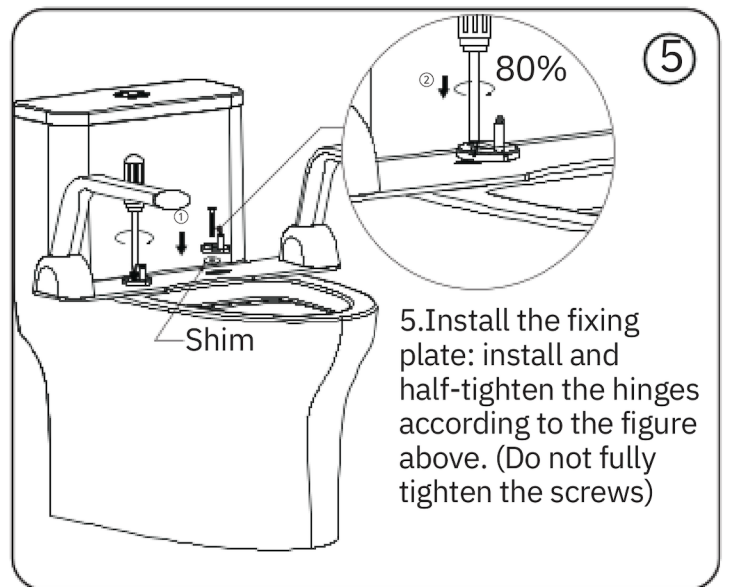
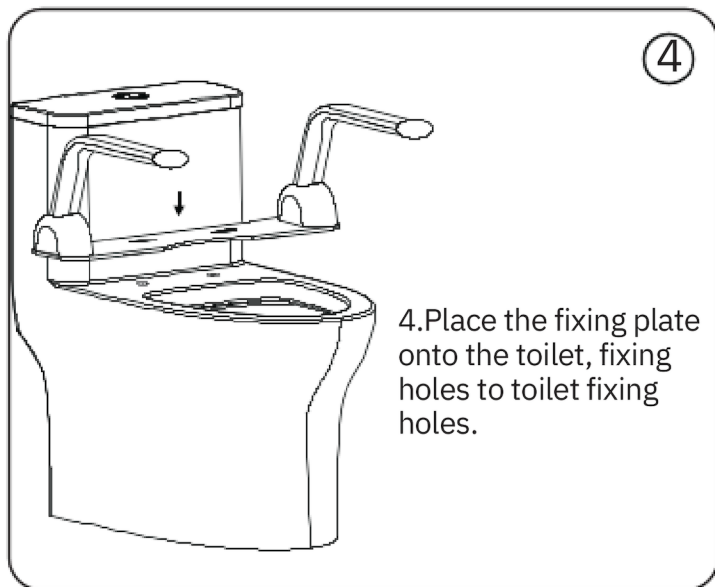
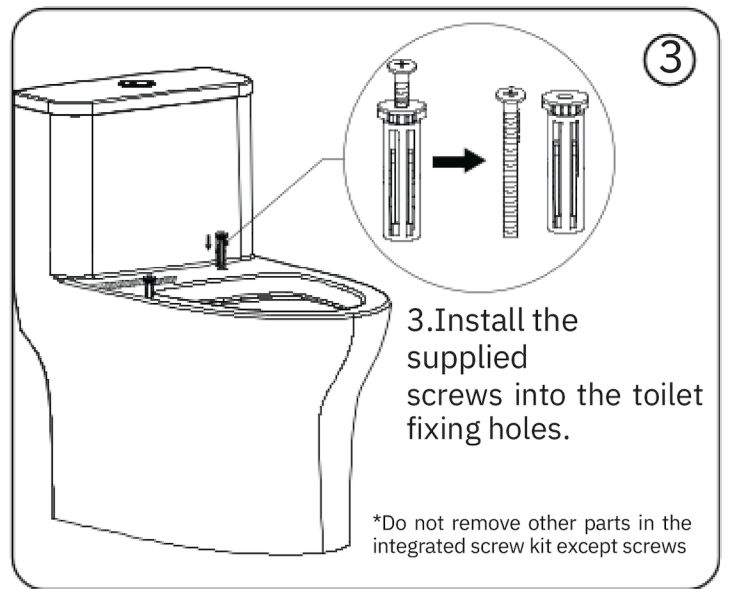
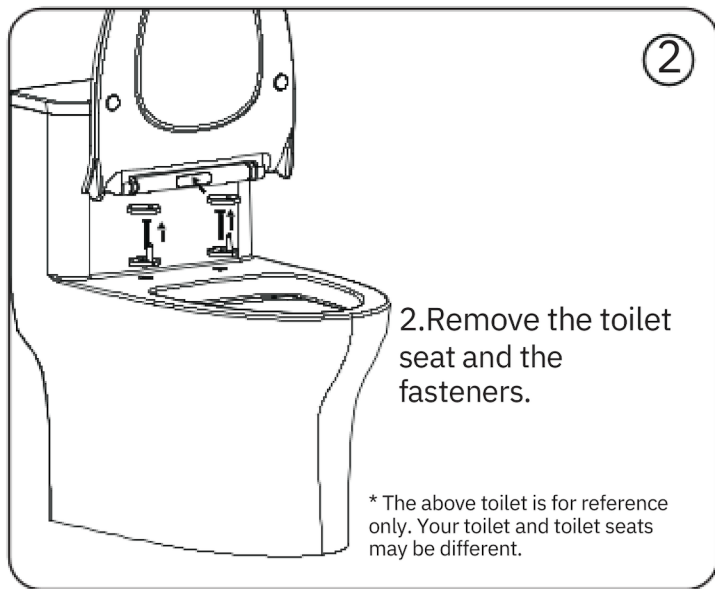


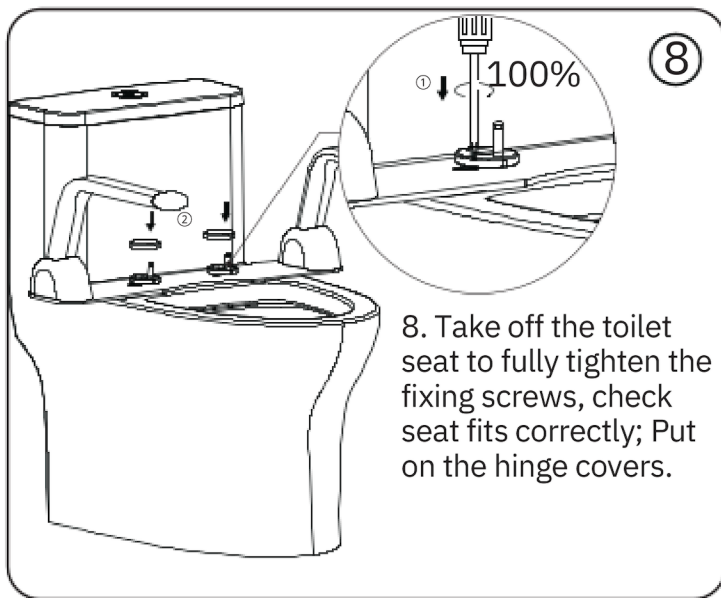
Fig.1

INSTALLATION

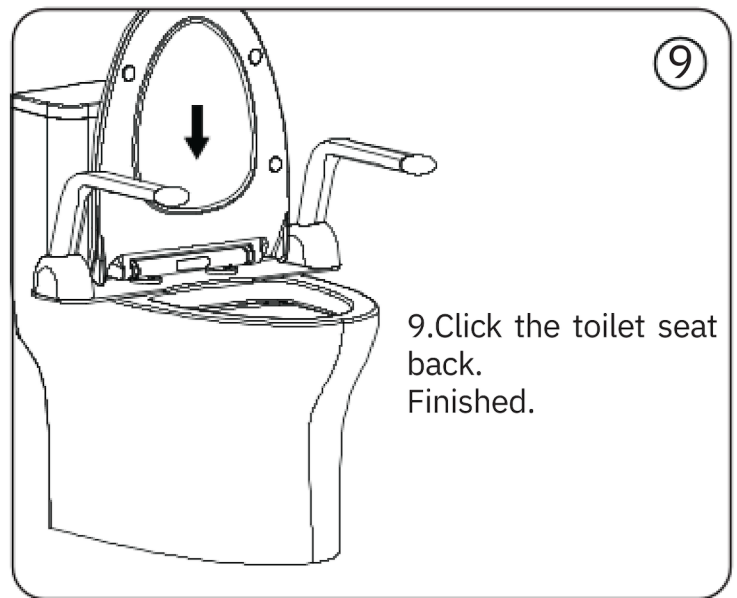


1. Assemble the handrail. Fix and tighten the screws to assemble both left-hand and right-hand arms to the fixing plate.





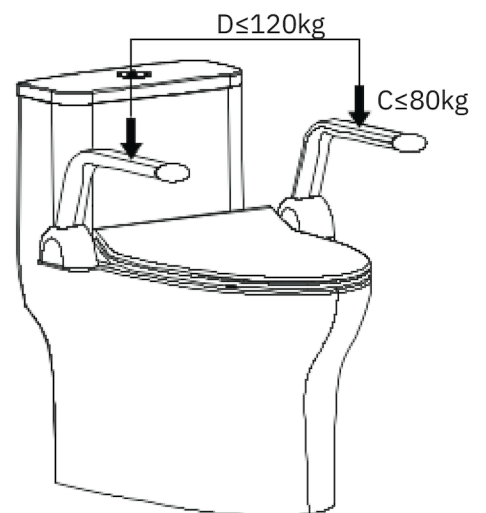
8. Take off the toilet seat to fully tighten the fixing screws, check seat fits correctly; Put on the hinge covers.



9. Click the toilet seat back. Finished.

NOTES

- To prevent the lock nut from being pulled out or loosened during use of the arm rest, try to secure the hinge base fixation kit as tightly as possible without causing the nut to be stripped.
- To avoid the Toilet Seat from falling to one side, or being tilted up significantly, do not forcefully shake or put excessive pressure ($C \leq 80\text{kg}$) onto one side of the arm rest after the arm rest is correctly installed.
- To prevent damage to the lifting handrails, the dual handrails simultaneously bear $D \leq 120\text{kg}$
- The figures above are for reference only.



CARE AND CLEANING

- Use a mild detergent such as liquid dishwashing soap and warm water for cleaning. Do not use abrasive or high density cleaners that may scratch or dull the surface.
- Carefully read the cleaner product label to ensure the cleaner is safe for use on the material.
- Always test your cleaning solution on an inconspicuous area before applying to the entire surface.
- Wipe surfaces clean and rinse completely with water immediately after cleaner application. Rinse and dry any overspray that lands on nearby surfaces.
- Use a soft, dampened sponge or cloth. Never use an abrasive material such as a brush or scouring pad to clean surfaces.

