

paco jaanson

BATHROOM CARE

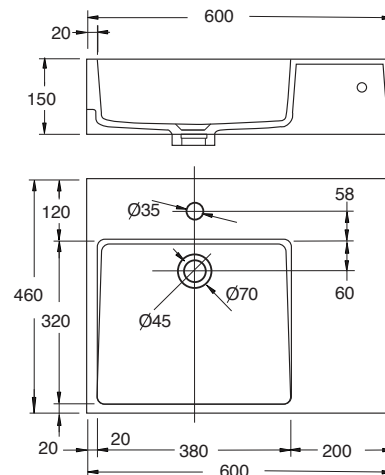
600mm Solid Surface Resin - Shelf Washbasin

Left Hand Bowl - Code: PJ-6001L



Dimensions

600mm (w) x 460mm (d) x 150mm (h)



DESCRIPTION

The Paco Jaanson Care range is committed to providing innovative solutions formed through knowledge and insight to ensure critical living hubs like bathrooms are designed to fully consider the needs of users and their carers, to maximise independence and a greater degree of user comfort, dignity, respect and safety.

Their aged care and disability solutions are adaptable and allow flexibility when renovations or redesign is being considered. Benelli puts the user first so you can choose Paco Jaanson with confidence.

PRICING STRUCTURE

Retail Pricing:

PJ-6001L

\$660.00 gst inclusive

Features

One tap hole


Overflow supplied standard

Plug and waste not included

Solid Surface Resin - Gloss White

15 Years Limited Manufacturers Warranty

1 Year Limited Commercial Warranty

 Suitable for installation to comply to Australian Standard AS 1428.1-2009

Amendment No.1 Design for access and mobility

Wall fixings included

Available with right hand bowl (Code: PJ-6001R)

*Additional holes - Optional extra

PACO JAANSON BATHROOM INNOVATIONS

Copyright © 2018. All rights reserved. Created: 21st October 2023.

Telephone : 1800 006 260

Email - info@pacojaanson.com.au

www.pacojaanson.com.au

paco jaanson

BATHROOM CARE

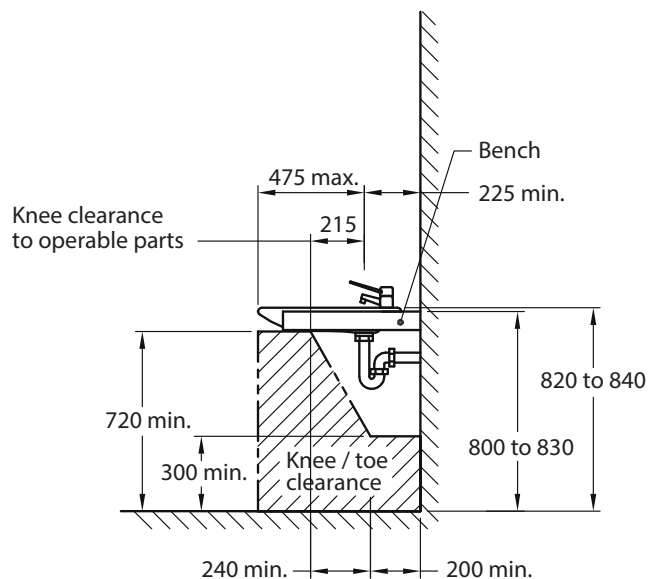
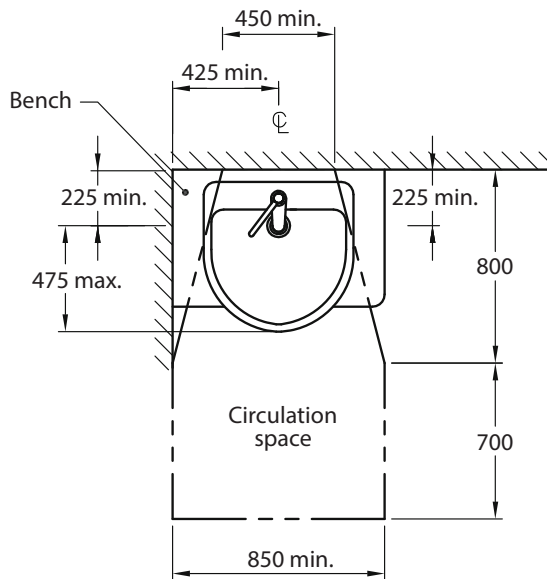
600mm Solid Surface Resin - Shelf Washbasin

Left Hand Bowl - Code: PJ-6001L



ACCESS AND MOBILITY

Suitable for installation to comply to Australian Standard AS 1428.1-2009 Amendment No.1 Design for access and mobility



DIMENSIONS IN MILLIMETRES

WASHBASIN FOR ACCESSIBLE SOLE - OCCUPANCY UNIT

www.standards.org.au



All installations should be carried out by a qualified tradesman in compliance with the national Plumbing & Drainage Code and any State or Local Authority Regulations, in accordance with AS/NZS 3500 series of standards and AS/NZA 6400.

WARRANTY STATEMENT

This Paco Jaanson vitreous china washbasin is guaranteed for 15 years from date of purchase subject to the following conditions:

1. Installation has been carried out by a licensed plumber in accordance with the plumbing code of Australia.
2. All maintenance and adjustments to the product after the installation have been carried out by a licensed plumber.
3. Only mild household detergents and soft (non-abrasive) cloth has been used to clean the product.
4. All goods of substandard quality manufacture (excluding imperfections permitted within AS1976 - vitreous china used in sanitary applications) will be credited or replaced by Paco Jaanson when advised within the warranty period, subject to prior inspection and agreement.
5. Proof of purchase is required for warranty claims.

FULL WARRANTY & CONDITIONS

www.pacojaanson.com.au

LIMITATIONS

To the extent permitted under the Trade Practices Act and other relevant legislation, Paco Jaanson's liability is limited to:

The cost of replacing the goods, or The cost of obtaining equivalent goods, or The cost of having the goods repaired. Paco Jaanson is not responsible for any lack of operation or performance of goods (or any loss or damage) where goods are used or adapted for a with other goods not supplied by Paco Jaanson. It is the responsibility of the customer and installer before installation to ensure are correct and free of obvious visible faults. Paco Jaanson is not responsible for the labour and rectification costs incurred in the above circumstance.

PRICING STRUCTURE

Retail Pricing:

PJ-6001L

\$660.00 gst inclusive

PACO JAANSON BATHROOM INNOVATIONS

Copyright © 2018. All rights reserved. Created: 21st October 2023.

Telephone : 1800 006 260

Email - info@pacojaanson.com.au

www.pacojaanson.com.au