

paco jaanson

KITCHEN CARE

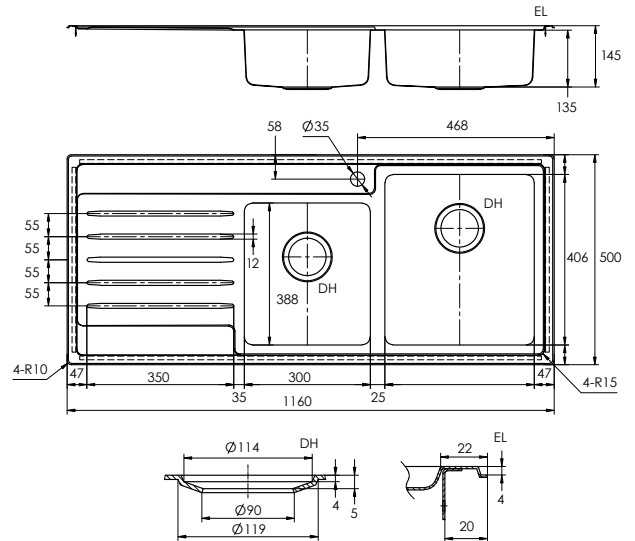
One & Three Quarter Bowl - Kitchen Sink with Drainer
Stainless Steel - Right Hand Configuration: Code LDB20-145RHB



FEATURED WITH BENELLI CARE SINK MIXER

Dimensions

1160mm (w) x 500mm (d) x 145mm (h)



DESCRIPTION

The Paco Jaanson Care range is committed to providing innovative solutions formed through knowledge and insight to ensure critical living hubs like kitchens are designed to fully consider the needs of users and their carer's, to maximise independence and a greater degree of user comfort, dignity, respect and safety.

Their aged care and disability solutions are adaptable and allow flexibility when renovations or redesign is being considered. Benelli puts the user first so you can choose Paco Jaanson with confidence.

PRICING STRUCTURE

Right Hand Bowls Code LDB20-145RHB \$255.00 ex.gst	Left Hand Bowls Code LDB20-145LHB \$255.00 ex.gst
--	---



Features

- One tap hole supplied standard
- Stainless Steel
- 15 Years Limited Manufacturers Warranty
- 1 Year Limited Commercial Warranty
- ♿ Suitable for installation to comply to Australian Standard AS 1428.1-2009
- Design for access and mobility
- Plug and waste baskets included
- Available in Left Hand Bowl Configuration
- Code: LDB20-145LHB

PACO JAANSON BATHROOM INNOVATIONS
Copyright © 2018. All rights reserved. Updated 14th October 2021.

Telephone : 1800 006 260
Email - info@pacojaanson.com.au
www.pacojaanson.com.au

paco jaanson

KITCHEN CARE

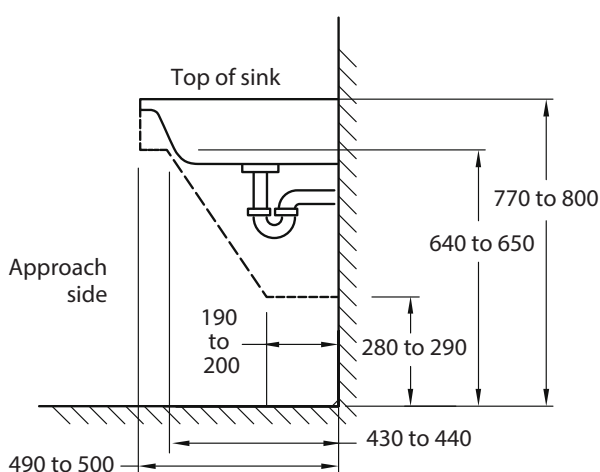


One & Three Quarter Bowl - Kitchen Sink with Drainer
Stainless Steel - Right Hand Configuration: Code LDB20-145RHB

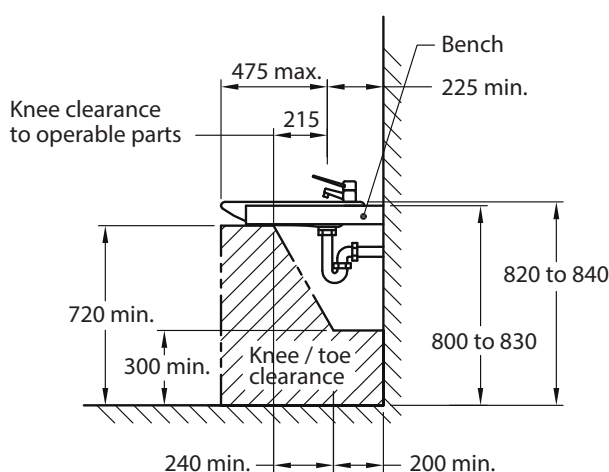
ACCESS AND MOBILITY

Suitable for installation to comply to Australian Standard AS 1428.1-2009 Design for access and mobility.

A5 SINKS For users in wheelchairs a shallow sink is essential, hence the preferred maximum bowl depth is 150 mm. The clearance underneath should comply with the requirements for washbasins in AS 1428.1



DIMENSIONS IN MILLIMETRES
SINK HEIGHT AND CLEARANCE



DIMENSIONS IN MILLIMETRES
WASHBASIN FOR ACCESSIBLE SOLE - OCCUPANCY UNIT

www.standards.org.au



All installations should be carried out by a qualified tradesman in compliance with the national Plumbing & Drainage Code and any State or Local Authority Regulations, in accordance with AS/NZS 3500 series of standards and AS/NZA 6400.

WARRANTY STATEMENT

This Paco Jaanson stainless steel sink is guaranteed for 15 years from date of purchase subject to the following conditions:

1. Installation has been carried out by a licensed plumber in accordance with the plumbing code of Australia.
2. All maintenance and adjustments to the product after the installation have been carried out by a licensed plumber.
3. Only mild household detergents and soft (non-abrasive) cloth has been used to clean the product.
4. All goods of substandard quality manufacture (excluding imperfections permitted within AS1976 - stainless steel used in sanitary applications) will be credited or replaced by Paco Jaanson when advised within the warranty period, subject to prior inspection and agreement.
5. Proof of purchase is required for warranty claims.

FULL WARRANTY & CONDITIONS

www.pacojaanson.com.au

LIMITATIONS

To the extent permitted under the Trade Practices Act and other relevant legislation, Paco Jaanson's liability is limited to: The cost of replacing the goods, or The cost of obtaining equivalent goods, or The cost of having the goods repaired. Paco Jaanson is not responsible for any lack of operation or performance of goods (or any loss or damage) where goods are used or adapted for a with other goods not supplied by Paco Jaanson. It is the responsibility of the customer and installer before installation to ensure are correct and free of obvious visible faults. Paco Jaanson is not responsible for the labour and rectification costs incurred in the above circumstance.

PRICING STRUCTURE

Right Hand Bowls	Left Hand Bowls
Code LDB20-145RHB	Code LDB20-145LHB
\$255.00 ex.gst	\$255.00 ex.gst

PACO JAANSON BATHROOM INNOVATIONS
Copyright © 2018. All rights reserved. Updated 14th October 2021.

Telephone : 1800 006 260
Email - info@pacojaanson.com.au
www.pacojaanson.com.au