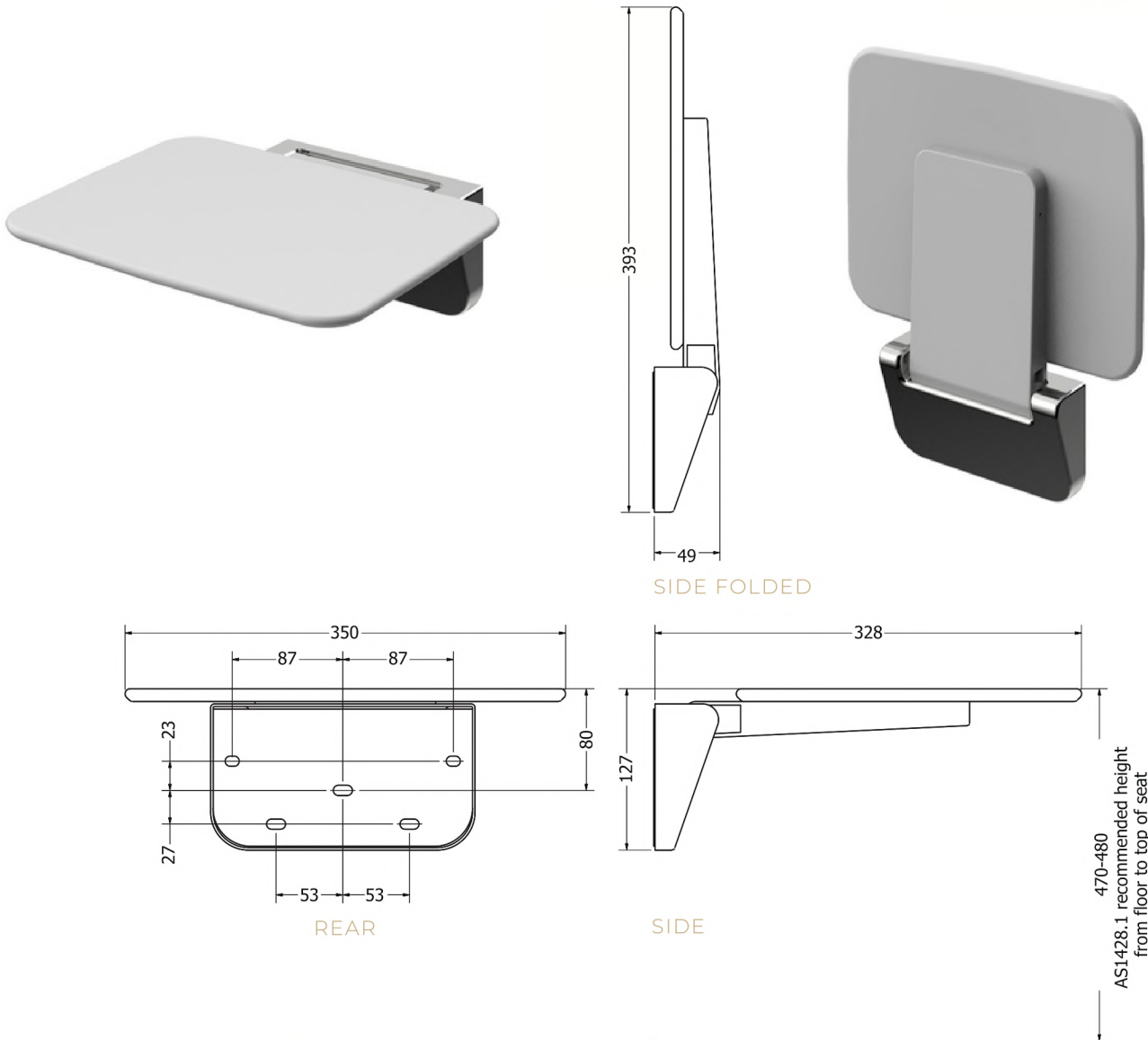


LIBERTY FOLD UP SHOWER SEAT

Wall Mounted Seat

White - S01AW

Black - S01AB



AVAIL QUALITY DESIGNS

- Ergonomic design folds neatly up against wall
- High quality, high strength materials and finishes
- Seat available in satin White or textured Black with Chrome wall bracket cover plate (cover plate is available in different finishes on request including Brushed Brass, Black, Brushed Nickel)
- Compact size suitable for all shower sizes
- 150kg capacity when installed into brick/masonry or multiple wall studs
- AS1428.1 Approved for ambulant bathrooms tested to 150 kg (with or without leg)



WWW.AVAIL.DESIGN



INFO@AVAIL.DESIGN



1300 945 720

PARTS LIST:



5 x

Wall Anchors, Washers,
70mm Hex Screws



1 x

Cover Plate

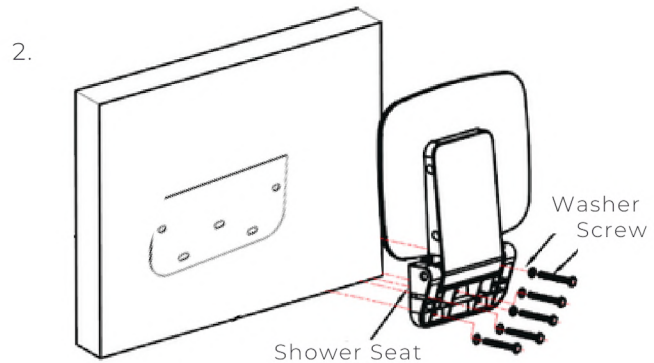
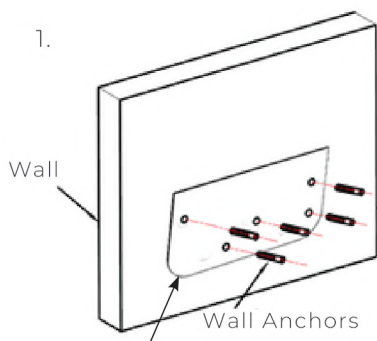


1 x

Shower Seat

LIBERTY FOLD UP SEAT INSTALLATION INSTRUCTIONS

1. Ensure wall is suitable for installing the wall seat before you begin installation.
2. Place seat on wall in correct position (see page 2) and mark out holes.
3. Drill 5, 10mm Diameter holes for wall anchors if mounting into brick/masonry or pilot holes for screws if mounting into timber.
4. Insert silicon into holes with wall anchors.
5. Fasten seat to wall with screws, tighten with ratchet/spanner.
6. Clip cover plate over mounting plate.
7. If fold down leg is supplied attach with supplied screws.



WARNING:

These rails are designed to be mounted onto wall studs or masonry walls. Installation is recommended to be completed by qualified tradesperson who complies with the AS 1428.1- 2009 Design for Access and Mobility standard. It is recommended rail location is determined by a qualified Occupational Therapist or trained professional to the AS 1428.1-2009 standard. Correct installation is required to ensure safe, long term operation. Incorrect mounting can result in reduced capacity of the rail which can result in injury to user and damage to the wall.



SHOWER SEAT SCREW HOLE TEMPLATE

