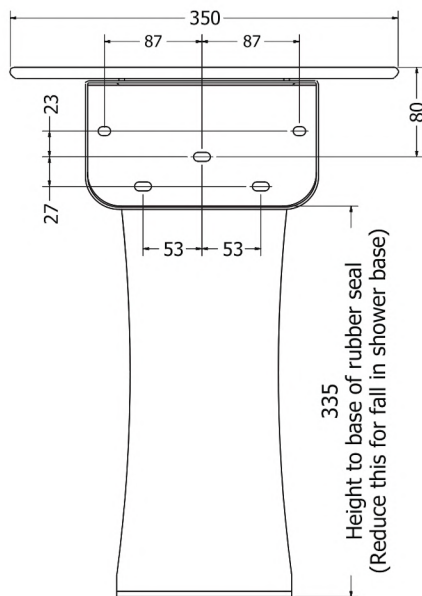


LIBERTY FOLD UP SHOWER SEAT

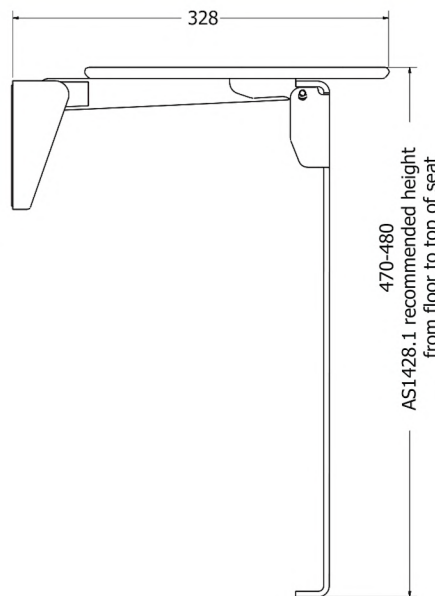
Wall Mounted Seat with Fold Down Leg

White - S01ALW

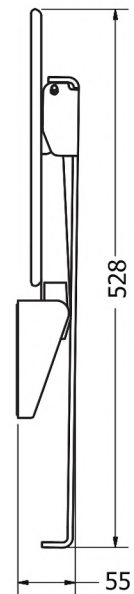
Black - S01ALB



REAR



SIDE



SIDE FOLDED

AVAIL QUALITY DESIGNS

- Ergonomic design folds neatly up against wall
- High quality materials and finishes
- Seat finish in Satin White with Chrome wall bracket cover plate
- Fold down leg for extra support and less stress on the wall
- 150kg capacity and can be installed into a single wall stud
- AS1428.1 Approved for Ambulant bathrooms, tested for 150 kg



WWW.AVAIL.DESIGN



INFO@AVAIL.DESIGN



1300 945 720

PARTS LIST:



5 x

Wall Anchors, Washers,
70mm Hex Screws



1 x

Cover Plate



1 x

Shower Seat

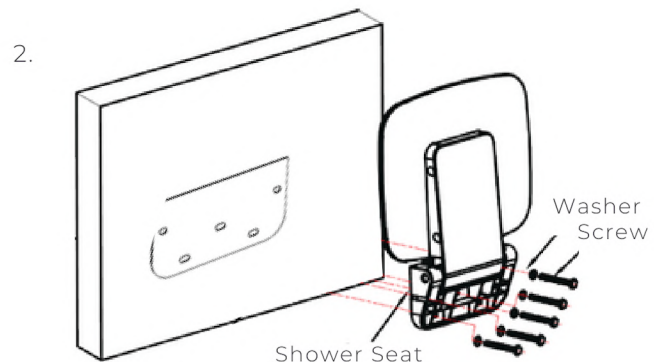
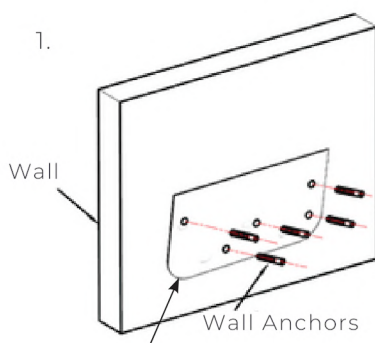


1 x

Shower Seat
Leg

LIBERTY FOLD UP SEAT INSTALLATION INSTRUCTIONS

1. Ensure wall is suitable for installing the wall seat before you begin installation. Installation into at least 1 wall stud is required with the fold down leg option.
2. Place seat on wall in correct position (see page 2) and mark out holes.
3. Drill 5, 10mm Diameter holes for wall anchors if mounting into brick/masonry or pilot holes for screws if mounting into timber.
4. Insert silicon into holes with wall anchors.
5. Fasten seat to wall with screws, tighten with ratchet/spanner.
6. Clip cover plate over mounting plate.
7. If fold down leg is supplied attach with supplied screws if not already assembled.



WARNING:

These rails are designed to be mounted onto wall studs or masonry walls. Installation is recommended to be completed by qualified tradesperson who complies with the AS 1428.1- 2009 Design for Access and Mobility standard. It is recommended rail location is determined by a qualified Occupational Therapist or trained professional to the AS 1428.1-2009 standard. Correct installation is required to ensure safe, long term operation. Incorrect mounting can result in reduced capacity of the rail which can result in injury to user and damage to the wall.



SHOWER SEAT SCREW HOLE TEMPLATE

