

GLANCE TOWEL RAIL

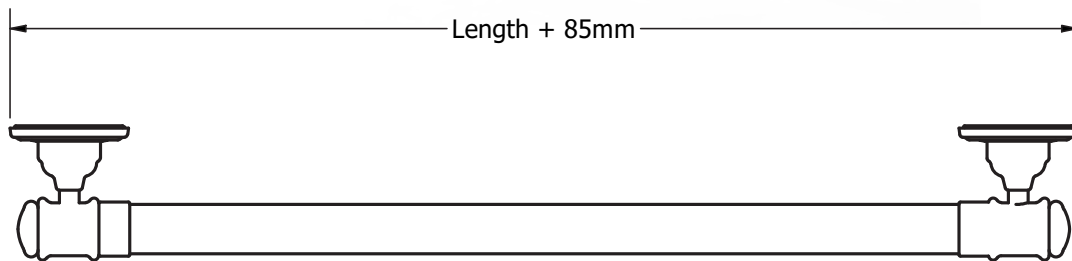
32mm Diameter Grab Rail

STOCK CODE(S)

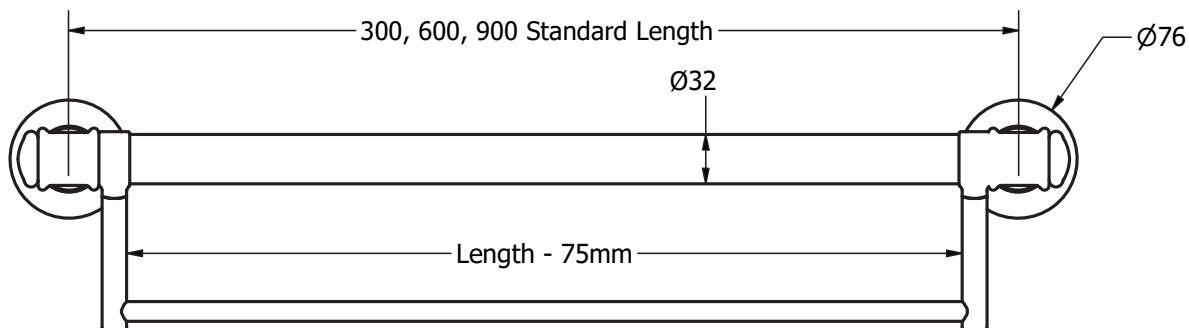
300mm - R03T30

600mm - R03T60

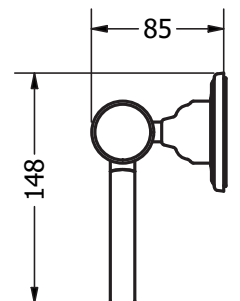
900mm - R03T90



TOP



FRONT



SIDE

AVAIL QUALITY DESIGNS

- Standard sizes: 300mm for hand towels, 600 & 900mm for standard towels
- Heritage/Provincial Bathroom Styling
- Scratch resistant high grade stainless steel
- Comfortable 32mm diameter rail
- Rail 150kg capacity and construction exceeds Australian Standard AS1428.1



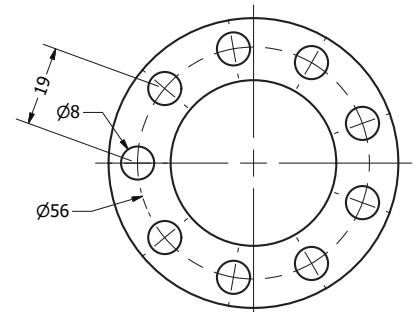
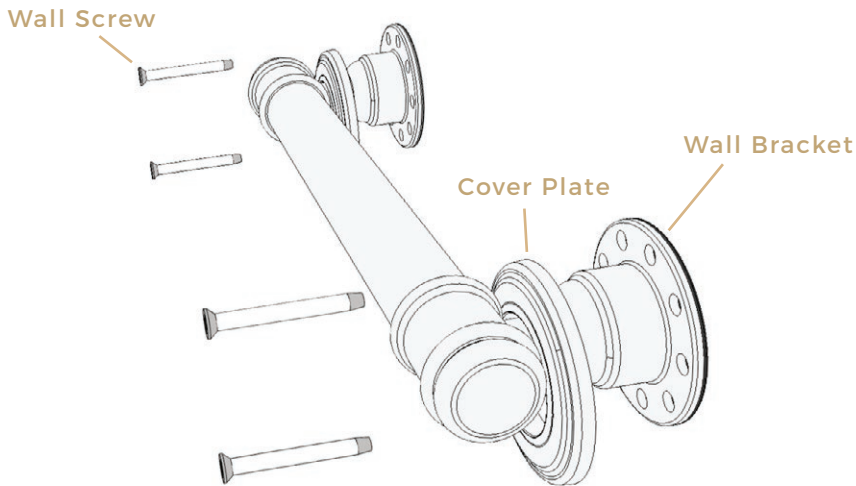
WWW.AVAIL.DESIGN



INFO@AVAIL.DESIGN



1300 945
720



WALL BRACKET

CONTENTS:

6 x Stainless Screws
1 x Grab Rail

GLANCE RAIL INSTALLATION INSTRUCTIONS

1. Locate wall studs, install into at least one stud. (minimum 2 screws per bracket).
2. Place rail on wall over centre of stud and mark hole positions on wall through the holes of mounting bracket.
3. Drill pilot holes into wall stud to suit mounting screws and place silicon in holes to seal out moisture.
4. Install rail by screwing onto wall, minimum 2 screws in each mount bracket (1 at top side, 1 at bottom side, use appropriate mounting screws for the wall stud material, supplied screws are for timber wall studs).
5. Push cover plates over mounting brackets until they clip on.

WARNING:

These rails are designed to be mounted onto wall studs or masonry walls. Installation is recommended to be completed by qualified tradesperson who complies with the AS 1428.1-2009 Design for Access and Mobility standard. It is recommended rail location is determined by a qualified Occupational Therapist or trained professional to the AS 1428.1-2009 standard. Correct installation is required to ensure safe, long term operation. Incorrect mounting can result in reduced capacity of the rail which can result in injury to user and damage to the wall.

