

“ We wanted a beautiful family bathroom and that’s exactly what we achieved.

-Jodie-

”

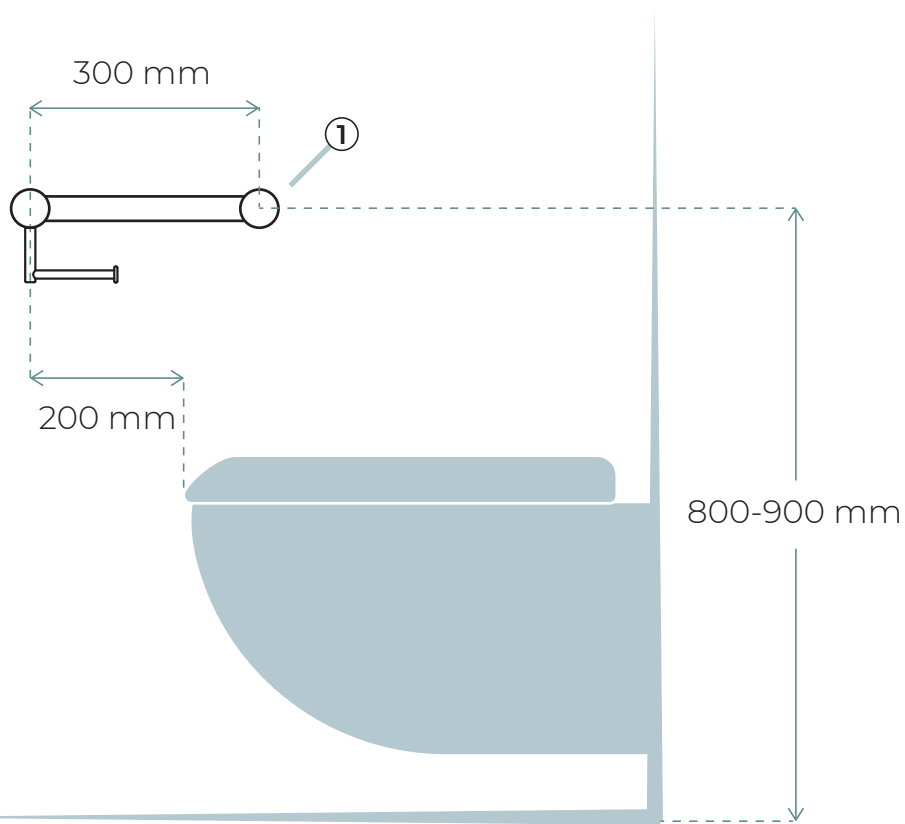


ASSISTED LIVING

We have selected an ergonomic range of products for your home to help create personalized and accessible bathrooms. This range is suitable for private homes, standard accommodation and independent living spaces. You can choose either 25 or 32mm diameter grab rails to suit your hand size and design preference.

To assist with your stylish accessible design, we have included some bathroom design examples here that were created in consultation with Occupational Therapists.

FRONT VIEW

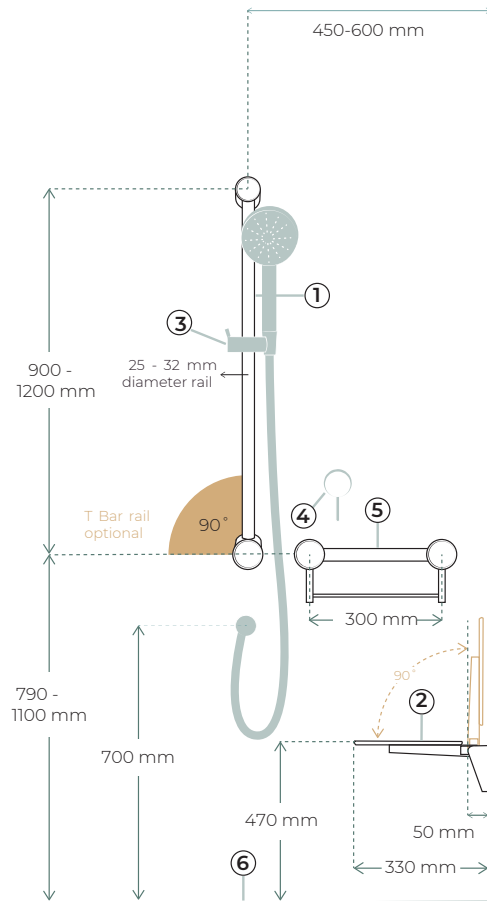


- ① Calibre Grab Rail with Toilet Roll Holder or Heavy Duty Holder P-44

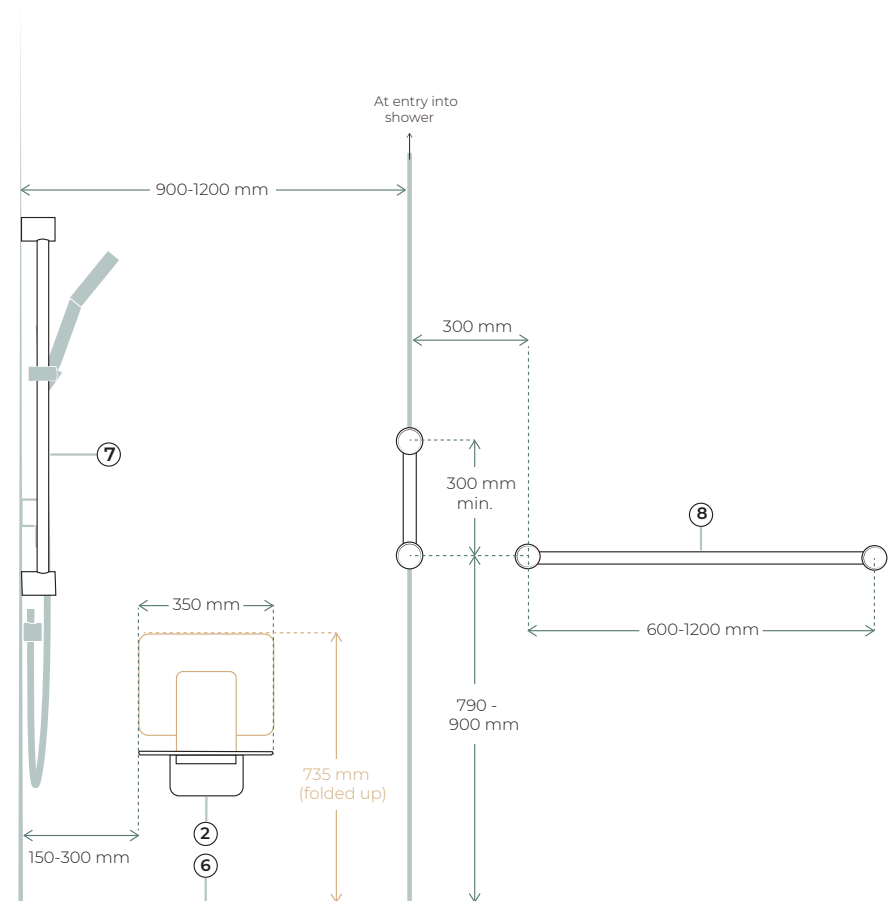




FRONT VIEW



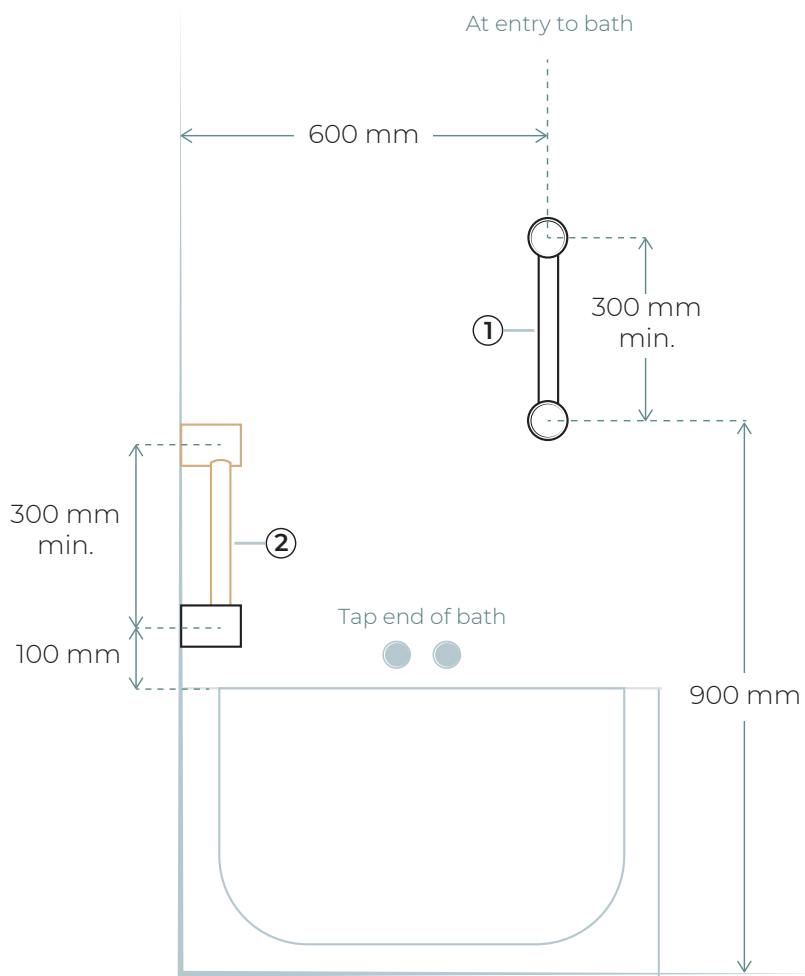
SIDE VIEW



- ① Grab Rail and Hand Shower 900 (NRCS004) P-51
- ② Shower Seat 350 Wide (S01A) P-103
- ③ Slider For Calibre Mecca 25mm Grab Rail And Adjustable Shower Rail Set (NRCS004sl) P-52
- ④ Wall Mixer Tap (NR221911X) (Optional Diverter to Overhead) P-63
- ⑤ Calibre Mecca 25 Grab Rail with Shelf 300 (NR22512C) P-48
- ⑥ Floor Waste (NRFW002) P-118
- ⑦ Mecca Hand Shower (NR221905F) P-67
- ⑧ Double towel grab rail or single 25 grab rail (NR22524D) P-50

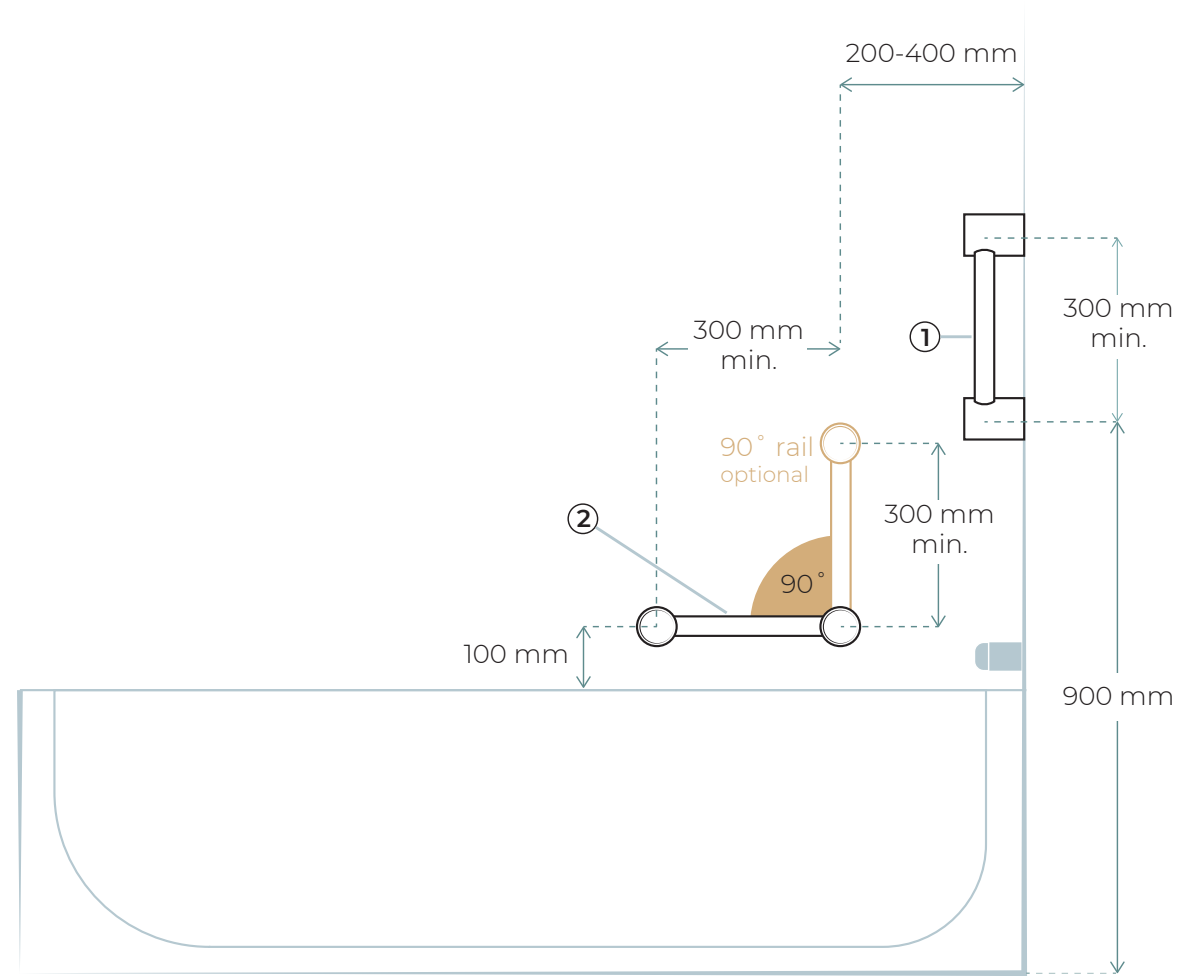


FRONT VIEW



① Calibre Ergo or Mod Grab Rail P-30 or 45

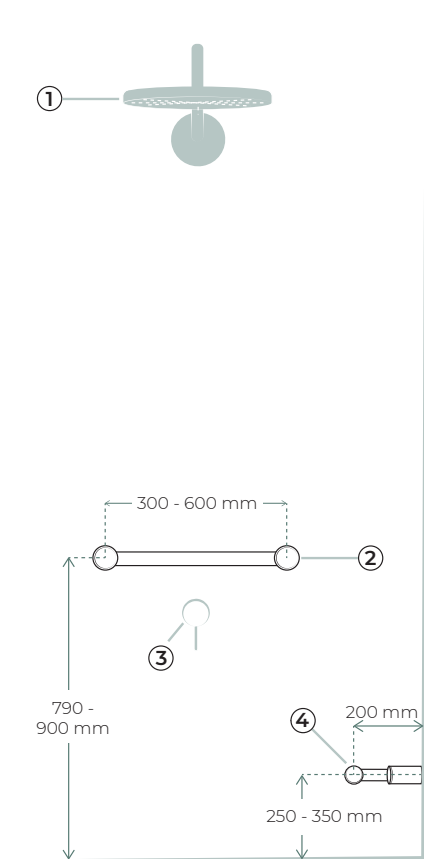
SIDE VIEW



② Ambulant 90 Degree Angled Grab Rail P-37

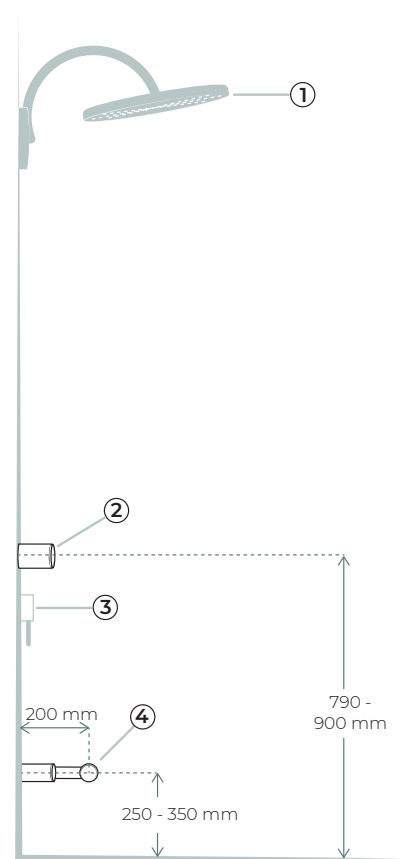


FRONT VIEW



- ① Twin Shower or Rail Shower P-67
- ② Caibre Grab Rail 32 or 25mm P-30 or 45

SIDE VIEW



- ③ Wall Mixer Tap (NR221911X) (Optional Diverter to Overhead) P-63
- ④ Calibre Footrest/Corner Rail (NRRCR2508W) P-51