

CALIBRE SHOWER RAIL

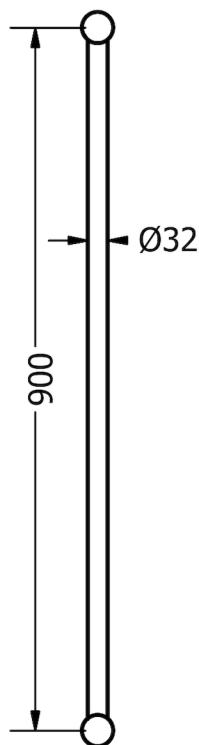
STOCK CODES

32mm Mod 900 Rail & Shower Set - NRCS005

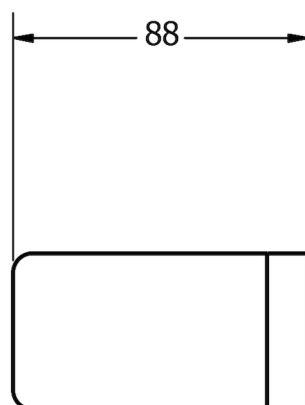


This full set includes:

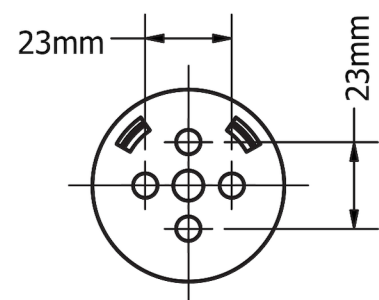
- Adjustable 9 litres per minute air shower head with multiple settings, WELS 3 Star Rating, Watermark WM-060093
- Simple push button or twist adjustment for shower head height
- 1.5m Flexi Stainless Steel Shower Hose
- Wall water outlet with additional shower head holder, mounting brackets and wall screws included.
- The rails can be shortened during installation to suit you
- 150 kg capacity for all 32mm diameter calibre grab rails
- Mod 32mm diameter rails are approved for standard AS1428.1 requirements in DDA bathrooms
- Additional options include: Soap Basket, 1m or 2m Flexi Shower Hose, Shower Head Wall Bracket



FRONT

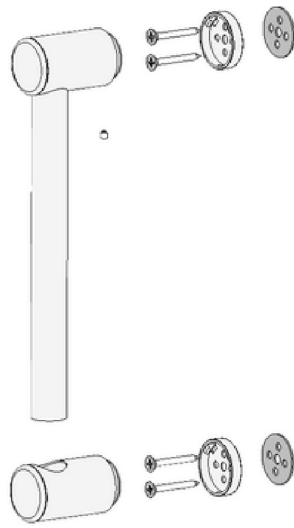


BRACKET SIDE



WALL BRACKET



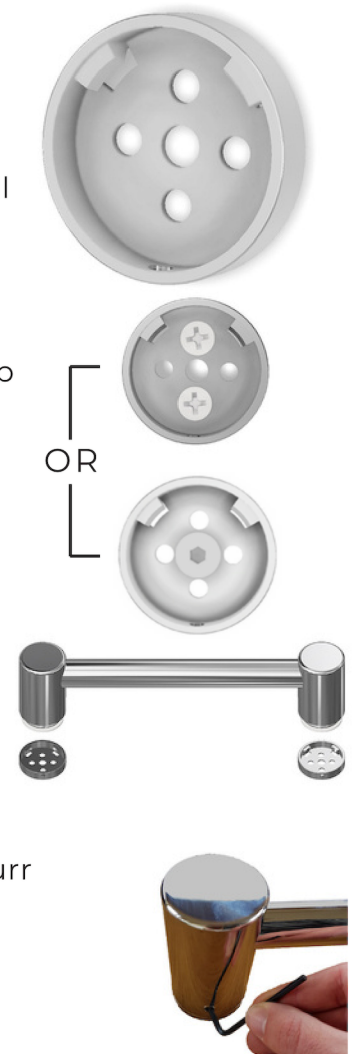


CONTENTS:

- 4 x Wall Brackets
- 8 x Stainless Screws 12g x 50
- 4 x Grub Screws M6 x 5
- 2 x Grab Rail
- 1 X Shower Set

CALIBRE RAIL INSTALLATION INSTRUCTIONS

1. Locate wall studs, install into at least one stud. Place wall seal/mounting bracket on wall at correct height over centre of stud and mark hole positions on wall (minimum 2 supplied screws per bracket).
2. Drill pilot holes into wall stud approximately 50mm deep to suit mounting screws (and wall plugs if required).
3. Apply small amount of silicon to mounting bracket and wall in and around the screw holes.
4. Install mounting brackets by screwing onto wall
 - Tip: use appropriate mounting screws for the wall stud material, supplied screws are for timber wall studs, one larger bugle screw can be used in centre hole.
5. Slide rail tube into end bracket and push onto wall brackets.
 - Tip: rail length can be cut down to a smaller size, simply use an angle grinder, hacksaw or pipe cutter then deburr the end with a file or grinder and reinsert into the end bracket.
6. Tighten grub screws with Allen key.
 - Tip: if rail rattles, loosen end bracket, twist slightly and tighten.



WARNING:

These rails are designed to be mounted onto wall studs or masonry walls. Installation is recommended to be completed by qualified tradesperson who complies with the AS 1428.1- 2009 Design for Access and Mobility standard. It is recommended rail location is determined by a qualified Occupational Therapist or trained professional to the AS 1428.1-2009 standard. Correct installation is required to ensure safe, long term operation. Incorrect mounting can result in reduced capacity of the rail which can result in injury to user and damage to the wall.

