

# CALIBRE T BAR SHOWER RAIL

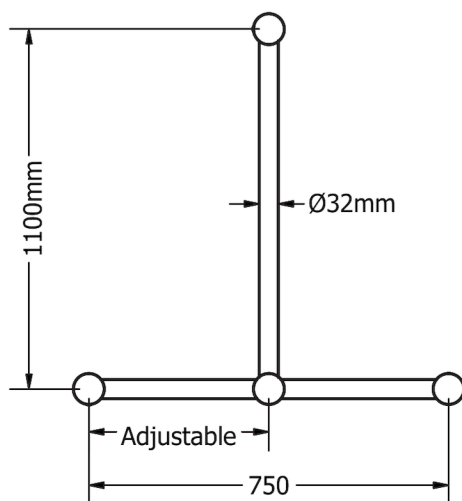
## STOCK CODES

32mm Mod 1100x750 Rail & Shower Set - NRCS006

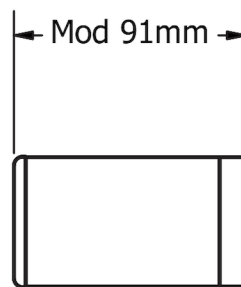


This full set includes:

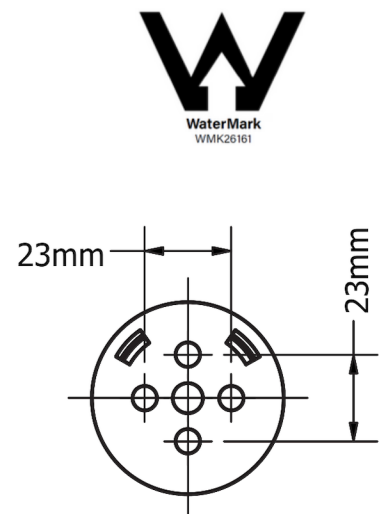
- Adjustable 9 litres per minute air shower head with multiple settings, WELS 3 Star Rating, Watermark WM-060093
- Simple push button or twist adjustment for shower head height
- 1.5m Flexi Stainless Steel Shower Hose
- Wall water outlet (optional outlet with shower head holder on request), mounting brackets and wall screws included.
- The rails can be shortened during installation to suit you,
- The vertical rail can be installed off centre see install guide for dimension options
- 150 kg capacity for all 32mm diameter calibre grab rails
- Mod 32mm diameter rails are approved for standard AS1428.1 requirements in DDA bathrooms
- Additional options include: Soap Basket, 1m or 2m Flexi Shower Hose, Shower Head Wall Bracket



FRONT



BRACKET SIDE

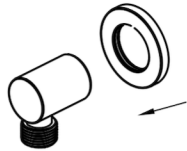


WALL BRACKET

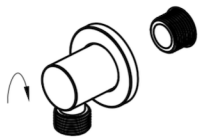




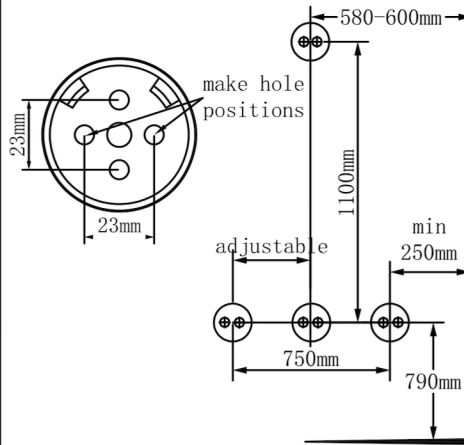
1. Put teflon tape onto outlet thread.



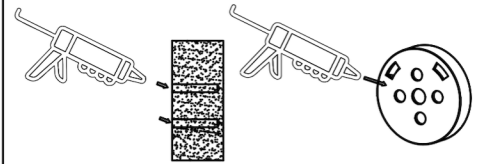
2. Slide plate onto elbow.



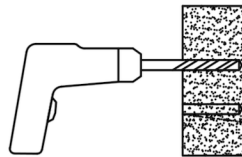
3. Screw elbow onto outlet.



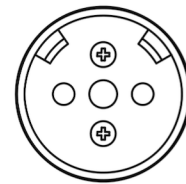
4. Locate wall studs, install into at least one stud. Place wall seal/mounting bracket on wall at correct height over centre of stud and mark hole positions on wall refer to above picture. Tip: Rail height is 790mm above the ground.



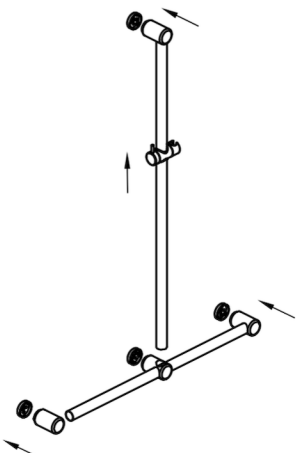
6. Apply small amount of silicon to mounting bracket and wall in and around the screw holes.



5. Drill pilot holes into wall stud approximately 60mm deep to suit mounting screws (and wall plugs if required). Tip: 3mm hole for screws into timber or 8mm hole for wall plugs.

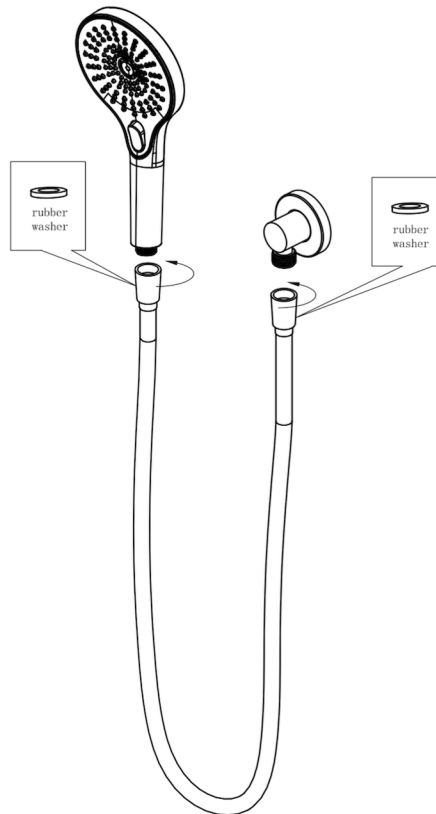


7. Install mounting brackets by screwing onto wall. Tip: Use appropriate mounting screws for the wall stud material, supplied screws are for timber wall studs.

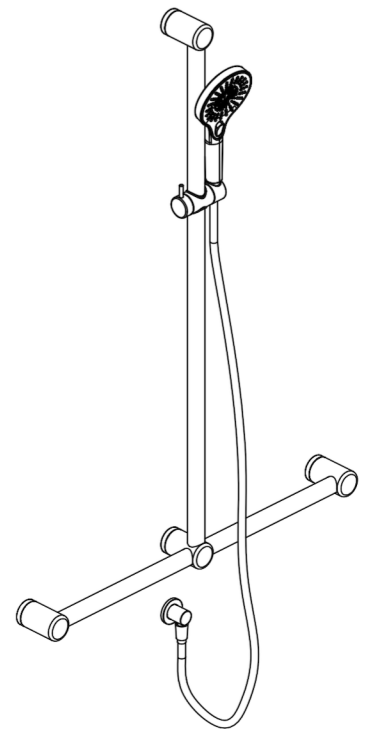


8. Slide the shower slider onto rail, then slide rail tubes into end brackets and push onto wall brackets, refer to above picture.

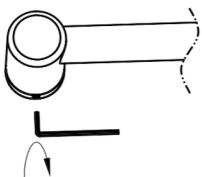
Tip: Horizontal rial or vertical rail can be cut down to a smaller size, simply use an angle grinder, hacksaw or pipe cutter then deburr the end with a file or grinder and reinsert into the end bracket.



10. Connect hand shower and elbow by shower hose. Tip: There are two rubber washer in the shower hose.



11. Test and check for leaks



9. Tighten grub screws with allen key.

Tip: If rail rattles, loosen end bracket, twist slightly and tighten.