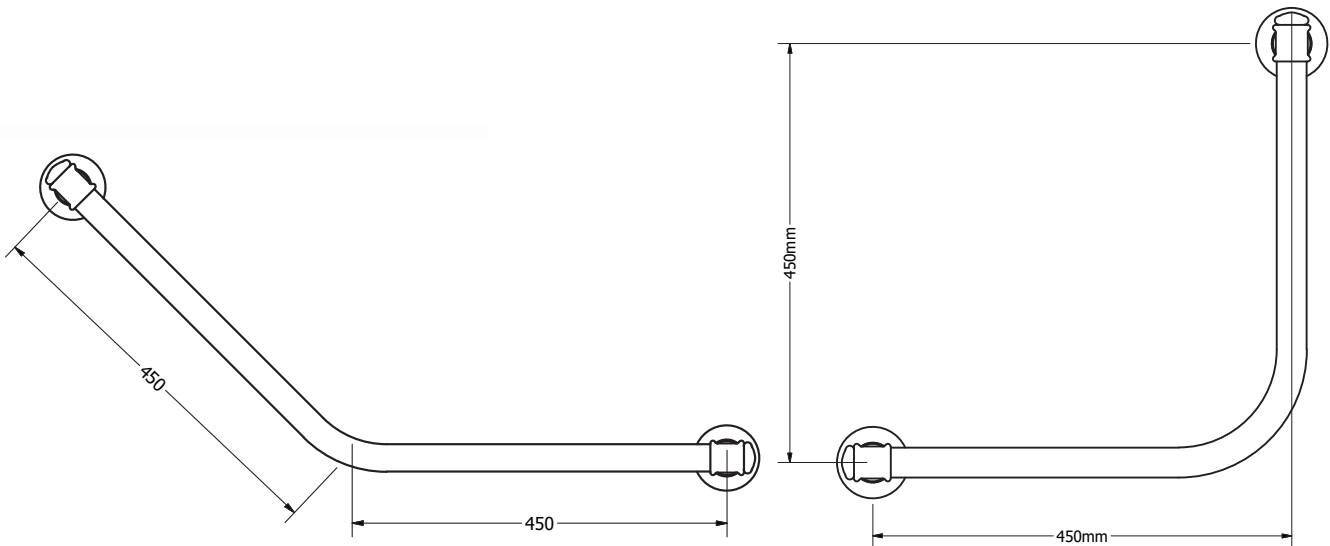


GLANCE

30mm Diameter Angled 45 and 90 Degree Grab Rail -

45 Degree - R03A445

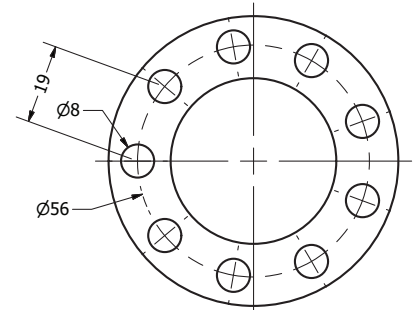
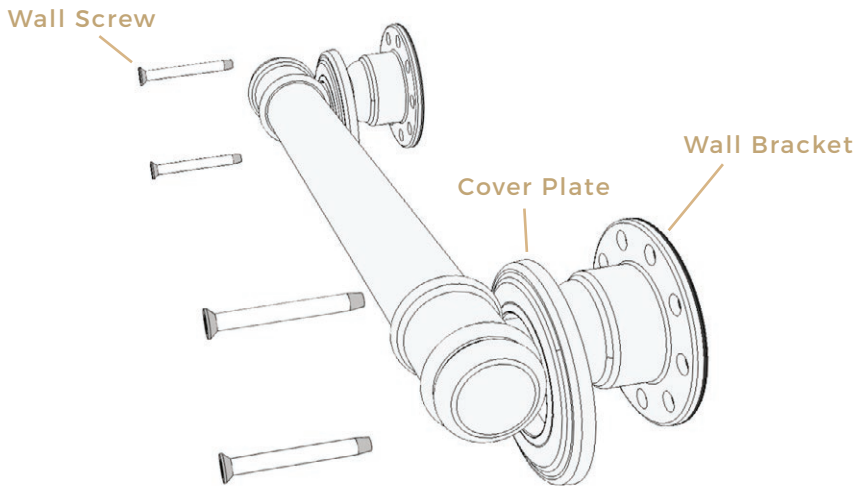
90 Degree - R03A490



AVAIL QUALITY DESIGNS

- Australian Made & Owned!
- Standard Sizes: 45 Degree or 90 Degree
- Scratch resistant high grade stainless steel
- Comfortable 30mm diameter rail
- Rail 150kg capacity and construction exceeds Australian Standard AS1428.1 and is fully approved and independently tested





WALL BRACKET

CONTENTS:

6 x Stainless Screws
1 x Grab Rail

GLANCE RAIL INSTALLATION INSTRUCTIONS

1. Locate wall studs, install into at least one stud. (minimum 2 screws per bracket).
2. Place rail on wall over centre of stud and mark hole positions on wall through the holes of mounting bracket.
3. Drill pilot holes into wall stud to suit mounting screws and place silicon in holes to seal out moisture.
4. Install rail by screwing onto wall, minimum 2 screws in each mount bracket (1 at top side, 1 at bottom side, use appropriate mounting screws for the wall stud material, supplied screws are for timber wall studs).
5. Push cover plates over mounting brackets until they clip on.

WARNING:

These rails are designed to be mounted onto wall studs or masonry walls. Installation is recommended to be completed by qualified tradesperson who complies with the AS 1428.1-2009 Design for Access and Mobility standard. It is recommended rail location is determined by a qualified Occupational Therapist or trained professional to the AS 1428.1-2009 standard. Correct installation is required to ensure safe, long term operation. Incorrect mounting can result in reduced capacity of the rail which can result in injury to user and damage to the wall.

