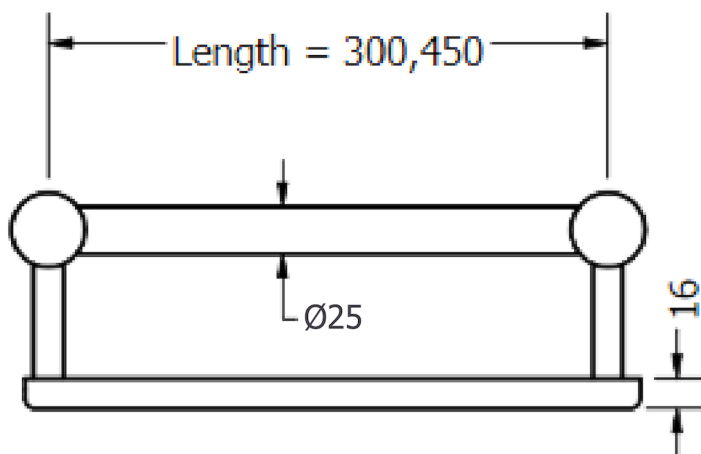
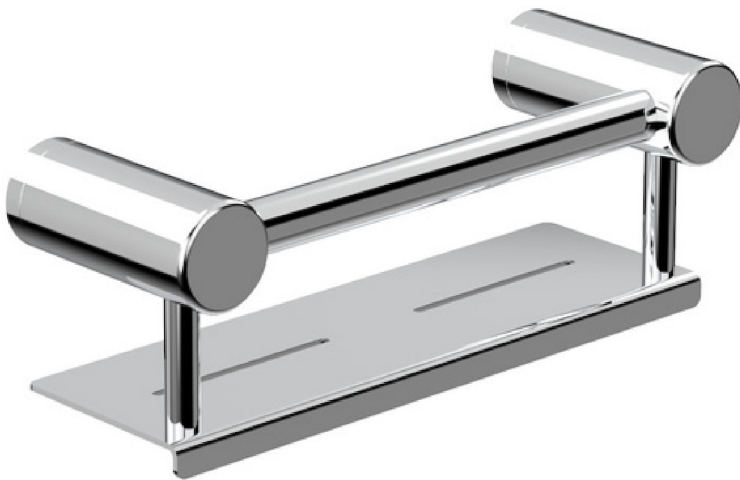


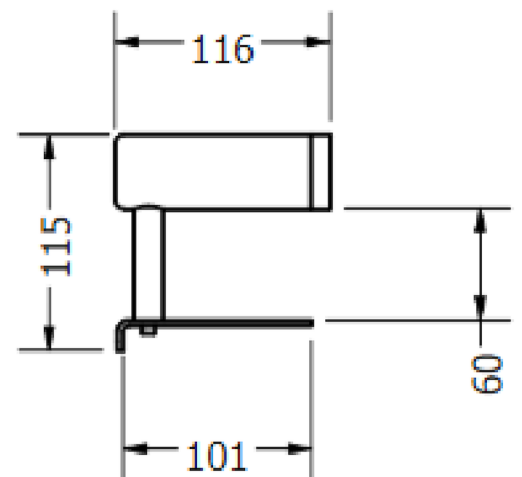
CALIBRE ERGO SHOWER SHELF

25mm Diameter Grab Rail Shower Shelf 300 - NR2512C

25mm Diameter Grab Rail Shower Shelf 450 - NR2518C



FRONT



SIDE

AVAIL DESIGNS

- Australian Owned and Designed
- Handy 300mm and 450mm Rail with a shelf suitable for shampoo bottles and soap
- Available in over 7 finishes including Living Brass, Chrome, Matt Black, Gunmetal, Brushed Nickel, Bronze, Gold
- Comfortable 25mm diameter rail, 150kg capacity
- Ergo 25mm diameter rails are suitable for support rails and smaller hands in private and non-DDA bathrooms



WWW.AVAIL.DESIGN



INFO@AVAIL.DESIGN

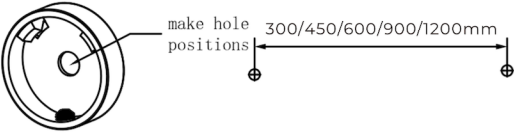
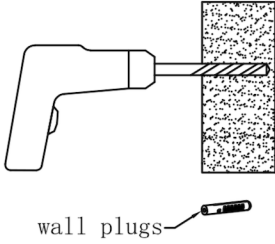
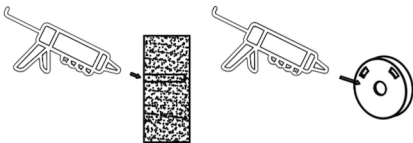

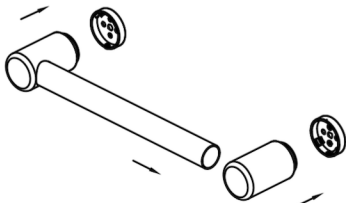
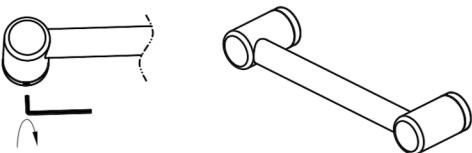


1300 945 720

Calibre 25mm Ergo Rail



INSTALLATION INSTRUCTIONS

	<p>1. Locate wall studs, install into at least one stud. Place wall seal/mounting bracket on wall at correct height over centre of stud and mark hole positions on wall.</p>
	<p>2. Drill pilot holes into wall stud approximately 60mm deep to suit mounting screws (and wall plugs if required).</p> <p>Tip: 4mm hole for screws into timber or 10mm hole for wall plugs.</p>
	<p>3. Apply small amount of silicon to mounting bracket and wall in and around the screw holes.</p>
	<p>4. Install mounting brackets by screwing onto wall.</p> <p>Tip: Use appropriate mounting screws for the wall stud material, supplied screws are for timber wall studs.</p>
	<p>5. Slide rail tube into end bracket and push onto wall brackets.</p> <p>Tip: Rail length can be cut down to a smaller size, simply use an angle grinder, hacksaw or pipe cutter then deburr the end with a file or grinder and reinsert into the end bracket.</p>
	<p>6. Tighten grub screws with Allen key.</p> <p>Tip: If rail rattles, loosen end bracket, twist slightly and tighten.</p>

WARNING

These rails are designed to be mounted onto wall studs or masonry walls. Installation is recommended to be completed by qualified trades person who complies with the AS 1428.1-2009 design for access and mobility standard.

It is recommended rail location is determined by a qualified occupational therapist or trained professional to the AS 1428.1-2009 standard. Correct installation is required to ensure safe, long term operation. Incorrect mounting can result in reduced capacity of the rail which can result in injury to user and damage to the wall.

