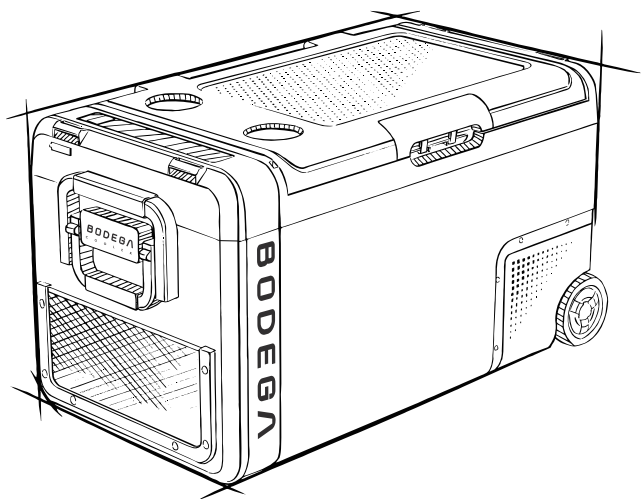


BODEGA

C O O L E R

INSTRUCTION MANUAL



RAND: BODEGACOOLER

MODEL: QZW38/QZW48/QZW58

DC 12V/24V AC100-240V

■ THIS manual contains important information including safety and installation instructions of the appliances. Please read it carefully before use and follow all safety information & instructions. It is recommended to keep this manual for easy reference so that you can be familiar with the operation of the appliance.

CAR FRIDGE



B O D E G A

C O O L E R

CONTENTS

1	SAFETY INSTRUCTIONS
2	PRODUCT FEATURES
2	PRODUCT STRUCTURE
3	REVERSE DOOR OPEN DIRECTION
3	FUNCTION AND OPERATION
5	"Qzsmart" APP Connection
8	CARE AND MAINTENANCE
9	TROUBLESHOOTING
10	TECHNICAL INFORMATION
11	WARRANTY



▶ SAFETY INSTRUCTIONS

WARNING!

- Do not operate the appliance if it is visibly damaged.
- Do not block the gaps of the fridge with things like pin, wire, etc.
- Do not expose the appliance to rain or soak it in water.
- Do not place the appliance near naked flames or other heat sources (heaters, direct sunlight, gas ovens etc.)
- Do not store any explosive substances like spray cans with a flammable propellant.
- Ensure the supply cord is dry and not trapped or damaged. Do not locate multiple portable socket-outlets or portable power supplies at the rear of the appliance.
- Check the voltage specification on the type plate corresponds to that of the energy supply. The appliance is only to be used with the power supply unit provided with the appliance.
- Do not use electrical appliances inside the food storage compartments of the appliance, unless they are of the type recommended by the manufacturer.
- Once unpacked and before turning on, the appliance must be placed on a level surface for more than 6 hours.
- Make sure that the appliance stays horizontally when it is running. The tilt angle must be less than 5° for long time running and be less than 45° for short time running.
- Keep the ventilation openings in the unit casing or in the built-in structure free of obstacles.
- Keep the appliance stable on the ground or in the car; Do not drain upside down.

CAUTION!


- Repairs may only be carried out by qualified personnel. Incorrect repair may cause danger. The lamp and supply cord must be replaced by the manufacturer or qualified persons.
- The installation of DC power in the boat must be handled by qualified electricians.
- Children shall not play with the appliance. Cleaning and user maintenance shall not be made by children without supervision.
- The appliance can be used by children aged from 8 years and above and persons with reduced physical, sensory or mental capabilities or lack of experience and knowledge if they've been given supervision or instruction concerning use of the device in a safe way and understand the hazards.

NOTICE!

- Disconnect the power supply before each cleaning and maintenance and after every use.
- Do not use sharp tools to defrost; Do not damage the refrigerant circuit.
- Risk of child entrapment. Before you throw away your old refrigerator or freezer: take off the doors: leave the shelves in place so that children may not easily climb inside.
- Check if the cooling capacity of the appliance is suitable for storing the food or medicine. Food may only be stored in its original packaging or in suitable containers.



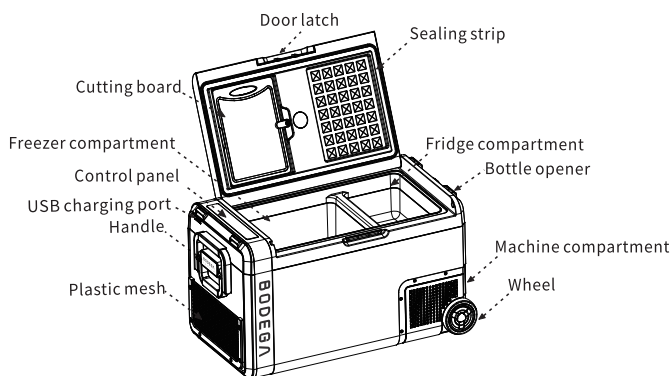
- If the appliance is left empty for long periods, switch off, defrost, clean, dry, and leave the door open to prevent mould developing within the appliance.
- The appliance is intended to be used in household and similar applications such as:
 - Staff kitchen areas in shops, offices and other working environments;
 - Camping, Farm houses and by clients in hotels, motels and other residential environments;
 - Bed and breakfast type environments;
 - Catering and similar non-retail applications.

 Please according to local regulations regarding disposal of the appliance for its flammable refrigerant and blowing gas.

▶ PRODUCT FEATURES

- High-efficiency DC compressor and conversion module.
- CFC free and great heat insulation.
- DC12/24V or AC 100~240V (using dedicated adapter) power supply.
- Fast cooling to -20°C/-4°F(based on 25°C/77°F room temperature).
- Intelligent battery protection system prevents your vehicle from running out of battery.
- LED display control panel for temperature setting, USB charging port: 5V/1A.
- Specific parts: Wheels, cutting board, plastic mesh, cup holders and adjustable door opening direction.

▶ PRODUCT STRUCTURE

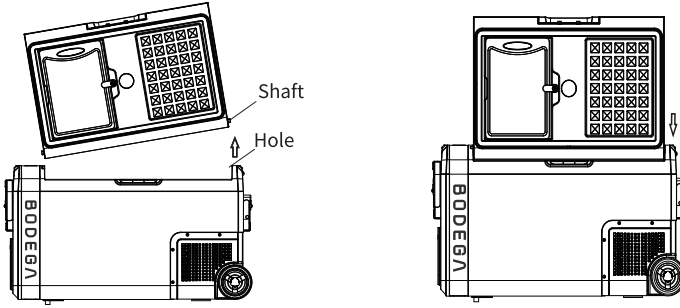


*Note: The cutting board can be moved by turning the knob on the top cover, it is suggested to clean and dry it after every use.

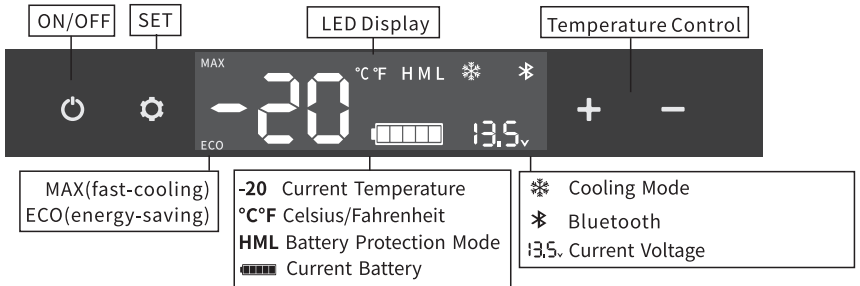


► REVERSE DOOR OPEN DIRECTION

The door has two opening directions and can be taken off. When installing it back, align the door shaft with the compartment hole and then insert it.



► FUNCTION AND OPERATION



- **Power Supply:** connect to DC 12V/24V or AC 100-240V power.(using dedicated adapter.)
- **Display Screen Initialization:** connect to the power supply, the buzzer will make a long beep, and the display will be on for 2 seconds then enter the standby mode.
- **Power ON/OFF:** press to switch ON, **long press** for three seconds to switch OFF.
- **Temperature Setting:** press **+** or **-** for temperature setting, the setting will be saved automatically after stopping operating for 3 seconds.(Note: the temperature displayed is the current temperature of the compartment, it'll take a while to reach the set temperature.) Temperature setting range: -20~20°C (-4~68°F) .



Tip:

This is a single control and double temperature product. The temperature of small cavity cannot be adjusted. The temperature changes with the change of large cavity.

large cavity (actual setting)	-20°C/-4°F	-15°C/5°F	-6°C/21.2°F	5°C/41°F	0°C/32°F
small cavity (for reference only)	1°C/33.8°F	5°C/41°F	9°C/48.2°F	15°C/59°F	12°C/54°F

- **Cooling Mode:** under the running state, press to switch MAX(fast cooling) and ECO (Energy saving Mode).(*Factory setting is MAX.)
- **Battery Protection Mode:** when the fridge is running, press and hold for three seconds until screen flashes, then press again to select protection mode H(High), M(Medium) and L(Low)(*Factory setting is M).

Voltage Reference:

MODE \ INPUT	DC 12V		DC 24V	
	CUT OUT	CUT IN	CUT OUT	CUT IN
L	8.5V	10.9V	21.3V	22.7V
M	10.1V	11.4V	22.3V	23.7V
H	11.1V	12.4V	24.3V	25.7V

* the voltage is theoretical value, there may be a deviation in different sceneries.

* H should be set when the product is connected to car power, and M or L should be set when it is connected to a portable battery or other back-up battery.

- **Temperature Unit Setting:** switch off the fridge, press and hold for three seconds until E1 displays, then switch to E5 by pressing again. Under E5 mode, press **+** or **-** to select Celsius or Fahrenheit.(*Factory setting is °F.)
- **Reset:** switch off the fridge, press and hold for three seconds until E1 displays, under E1 mode, long press **+ -** at the same time for three seconds to reset it.

• Recommended temperature for common food:

Drinks	Fruits	Vegetable	Delicatessen	Wine	Ice cream	Meat
5°C/41°F	5~8°C/41~46°F	3~10°C/37~50°F	4°C/39°F	10°C/50°F	-10°C/14°F	-18°C/0°F



▶ “Qzsmart” APP Connection

WiFi MODEL:



Scan the QR Code with your smartphone or search it in the APP Store or Google Play to download the "QZsmart" app.

PREPARATION BEFORE USE:

1. Make sure your car fridge is on and ensure that your smartphone is connected to 2.4 GHz Wi-Fi network.

NOTE: This device works only on 2.4 GHz Wi-Fi® network.

2. Ensure that the Bluetooth function of the mobile phone is enabled at the same time; otherwise, the device cannot be automatically searched.

3. Download the QZsmart app from the App Store or Google Play™.

NOTE: Authorize the app to access network and location services.

4. If you are using the app for the first time, click the “Sign up” button and register. If you already have an account, click the “Log in” button.

5. For better WIFI connection, please reset the product WIFI before using it for the first time. You can disconnect the connection by turning off the switch of the refrigerator and simultaneously long pressing “+” and “-” on the control panel of the refrigerator for 3 seconds and hearing one beep.

Add Device

1. From the Home Page, press "Add Device" or press "+" in the top right corner of the screen. (If you already have a device added to your account, the "Add Device" button will not appear.)

2. Connecting

■ Auto-connect: (Featured First)

The app will automatically search when Wi-Fi and Bluetooth are switched on, so you can add the corresponding product directly from the automatic search.

Step 1: Press "Add Device" or press "+".

Step 2: When the device is found, press Add. The Bluetooth function must be enabled during this process.

Step 3: Select your Wi-Fi network. (Be sure to use a 2.4G network)

Step 4: Enter your router password.

Step 5: Wait for connection and click "NEXT".

Step 6: Once the device is added, you can use the menu to change the name and location of the device.

Step 7: When you are finished, click "Done".



■ Manual connection: Select your model from the device menu.

Step 1: Press "Add Device" or press "+".

Step 2: Select the corresponding product type and click the product diagram of the corresponding model

Step 3: After the product is shut down, press "Next".

Step 4: long pressing "+ "and" - " on the control panel of the refrigerator for 3 seconds and hearing one beep, Press "Next".

Step 5: Select your Wi-Fi network. (Be sure to use a 2.4G network)

Step 6: Enter your router password.

Step 7: Click "Confirm." The next screen will say "Connect your mobile phone to the device' s hotspot".

Step 8: Click "Go to connect." This will take you to your phone' s settings (or Wi-Fi list for Android).

Step 9: Select "SmartLife-XXXX."

Step 10: Navigate back to the QZsmart App.

Step 11: Click "Next." Your smartphone will automatically connect.

Step 12: Once the device is added, you can use the menu of the app to change the name of the device.

Step 13: When you are finished, press "Done."

■ Follow the APP interface, there are detailed operation reminders in the APP interface, you need to follow the steps one by one;

NOTE: Connection may take up to 60 seconds.

*Once the device is added, you can use the menu of the app to change the name of the device.

*When you finished, press "Done".

NOTE: Your mobile device is connected to a 2.4GHz Wi-Fi network when pairing with the app. Please select the 2.4GHz network when selecting a Wi-Fi network on the app during setup.

BLUETOOTH MODE:

Bluetooth function can be used in non-wifi environment.

PREPARATION BEFORE USE:

Please be sure to connect WIFI successfully for the first time. (Again, you must connect to WIFI first, otherwise you will not be able to use Bluetooth in non-wifi environments.)

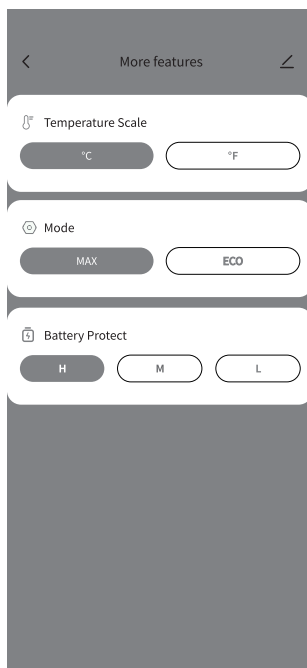
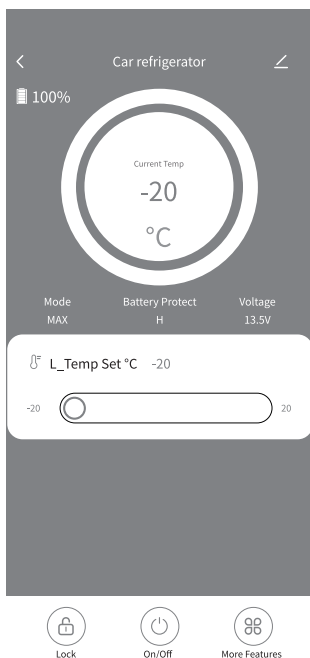
NOTE:

After the WiFi connection is disconnected, wait about 2-3 minutes before you can directly use the Bluetooth control.



Using the My App

The main interface can control the temperature of 2 compartments respectively; Set up the "LOCK"; Refrigerator switch. Click on "more features" in the lower right corner to set the switch of temperature unit, cooling mode, battery protection mode and refrigerator compartment.



How to unbind

A car refrigerator can only be connected to one mobile phone.

First method : You can disconnect the connection by turning off the switch of the refrigerator and simultaneously long pressing "+" and "-" on the control panel of the refrigerator for 3 seconds and hearing one beep.

Second method : Removing connection with the app: Open the app and go to the device page. Click "🔗" in the upper right corner, and then click "Remove Device" at the bottom.

Cautions

*There will be a delay in operating the machine on the mobile phone, about 1-3 minutes, please be patient.

*The language of the APP automatically switches with the language of the mobile system.

*You can lock or unlock the control panel on the refrigerator by operating the APP lock icon. Please note that if you want to lock the refrigerator, please control it through the APP, the operation panel of the refrigerator does not have the function of locking and unlocking.

► CARE AND MAINTENANCE

■ Cleaning:

- Switch off and unplug the device first to avoid electric shock.
- Use wet cloth to clean the device and dry it.
- Do not soak the fridge in water and do not wash it directly.
- Do not use abrasive cleaning agents during cleaning as these can damage the device.



■ Storage:

If the device will not be in use for a long time, please follow the instruction:

- Switch off and unplug the device.
- Take out all the items stored in the device.
- Wipe off excess water with a soft rag.
- Put the fridge in a cool and dry place.
- Leave the lid slightly open to prevent odors from forming.
- Recommended storage environment:
ambient temperature: 25°C, ambient humidity: $\leq 75\%$.

■ Defrosting:

Humidity can form frost in the interior of the cooling device or on the evaporator. This reduces the cooling capacity. Defrost the device in good time to avoid this.

- Switch off and unplug the device first to avoid electric shock.
- Take out all the items stored in the device.
- Keep the lid open.
- Wipe off the defrosted water.



Never use hard or pointed tools to remove ice or to loosen objects which have frozen in place.



► TROUBLESHOOTING

Issues	Cause/Suggestions
Refrigerator does not work	<ul style="list-style-type: none">• Check if the switch is on.• Check if the plug and socket are connected well.• Check if the fuse has been burnt.• Check if the power supply is malfunctioned.• Switch on/off the fridge frequently may cause start delay of the compressor.
Refrigerator compartments are too warm	<ul style="list-style-type: none">• The door is opened frequently.• A large amount of warm or hot food was stored recently.• The refrigerator has been disconnected for a long time.
Food is frozen	<ul style="list-style-type: none">• The temperature was set too low.
There is "water flow" noise from inside the refrigerator	<ul style="list-style-type: none">• It's a normal phenomenon, caused by the flow of refrigerant.
There are waterdrops around the refrigerator casing or door gap	<ul style="list-style-type: none">• It's a normal phenomenon, the moisture will condense to water when it touches a cold surface of the refrigerator.
The compressor is slightly noisy when starting	<ul style="list-style-type: none">• It's a normal phenomenon, the noise will be reduced after the compressor works stably.
Code F1 displayed	<ul style="list-style-type: none">• Possible cause: low voltage to fridge. Adjust the battery protection from High to Medium or from Medium to Low.
Code F2 displayed	<ul style="list-style-type: none">• Possible cause: condenser fan is overloaded. Disconnect power to fridge for 5 minutes & re-start. If the code shows again, contact manufacturer for service.
Code F3 displayed	<ul style="list-style-type: none">• Possible cause: the compressor starts too frequently. Disconnect power to fridge for 5 minutes & re-start. If the code shows again, contact manufacturer for service.
Code F4 displayed	<ul style="list-style-type: none">• Possible cause: compressor not kicking in. Disconnect power to fridge for 5 minutes & re-start. If the code shows again, contact manufacturer for service.
Code F5 displayed	<ul style="list-style-type: none">• Possible cause: overheating of the compressor & electronics. Disconnect power to fridge for 5 minutes & re-start. If the code shows again, contact manufacturer for service.
Code F6 displayed	<ul style="list-style-type: none">• Possible cause: no parameter can be detected by the controller. Disconnect power to fridge for 5 minutes & re-start. If the code shows again, contact manufacturer for service.
Code F7 or F8 displayed	<ul style="list-style-type: none">• Possible cause: temperature sensor is faulty. Contact manufacturer for service.



Bluetooth connection unavailable	<p>The connection is not corc.</p> <ol style="list-style-type: none"> 1. When using Bluetooth mode for the first time, it can only be used after the 2.4G WiFi network is connected successfully. 2. After the WiFi connection is disconnected, wait about 2-3 minutes before you can directly use the Bluetoothcontrol.
The refrigerator kept working after reaching the set temperature	<p>It is a normal phenomenonx.</p> <p>In order to keep the temperature at the set temperature, the compressor will operate at low power.</p>

► TECHNICAL INFORMATION

MODEL	QZW38	QZW48	QZW58
RATED VOLTAGE	DC12/24V or AC100~240V(using dedicated adapter)		
RATED POWER	60W	60W	80W
CAPACITY	33.2L+4.4L 1.17cu.ft.+0.16cu.ft.	41L+6.9L 1.45cu.ft.+0.24cu.ft.	47.4L+10.6L 1.67cu.ft.+0.37cu.ft.
NOISE	≤45dB		
TEMPERATURE SETTING RANGE	-20~20°C (-4~68°F)		
CLIMATE CATEGORY	T/ST/N/SN		
DIMENSIONS (L*W*H)	709*376*394mm 27 7/8 *14 3/4 *15 1/2inch	709*376*464mm 27 7/8 *14 3/4 *18 1/4inch	709*376*534mm 27 7/8 *14 3/4 *21 1/32inch
NET WEIGHT	15.3kg/33.73lb	16.2kg/35.71lb	17.5kg/38.58lb

*Due to product improvement, the technical information might be different from actual information, please refer to the rating label on the product.

Manufacturer:Foshan Alpicool Electric Appliance Co., LTD.

Address:13A Xinlong Road Shiongliyue industrial Zone, Xintang Village, Lunjiao Town, Shunde District, Foshan City, Guangdong, China

Contact:Mickey Tel: +1 (313)913-7585 E-Mail:info@bodegacooler.com



BODEGA

C O O L E R

Thank you for purchasing **BODEGACOOLER** product. We sincerely hope that you are satisfied with the product.

We'd like to offer you **12-month warranty** for free.

Once activated the warranty, you will be ensured that if anything goes wrong with your product. Replacement unit/parts will be warranted during the warranty period.

————— **What you need to do** —————

Any help or questions during use, please contact us via website

www.bodegacooler.com, send email to **info@bodegacooler.com**,

we will service you within 24 hours.

When contacting us, we suggest to send Order ID,

problem and a photo or a video for helping us much

more clearer about the problem and offer you the best solution.

C O O L E R

✉ info@bodegacooler.com

<https://www.bodegacooler.com/> 🔍