

Omni-ID® IQ 400P

Omni-ID IQ 400P is a small footprint, premium synthetic RFID label product. Designed for the office environment, the IQ 400P provides strong performance on plastic and non-metal assets in a small, easy to deploy label. Constructed from high specification polymer and adhesive materials IQ 400P is suitable for extended use and is resistant to scratching, peeling and UV degradation.

Building Intelligent Supply Chains

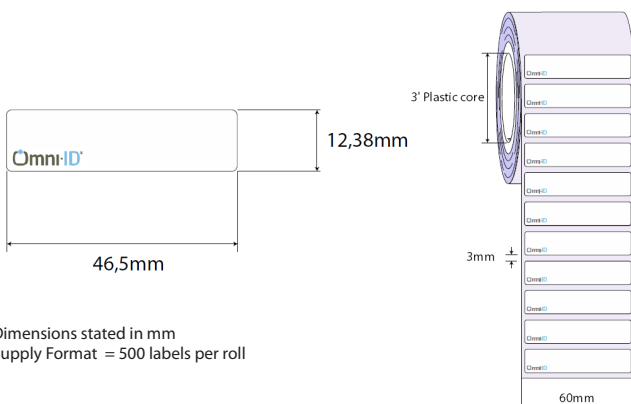
With its small size, premium materials, and thermal barcode compatibility, Omni-ID IQ 400P labels are ideally suited to IT and office asset management applications including attachment to:

- ▶ Plastic facia's on IT equipment.
- ▶ Office Furniture.
- ▶ Monitors and IT accessories.

Physical Specifications

Encasement	Premium Synthetic label on transparent PET liner
Size (mm) (tolerance)	46.5 x 12.4 x 0.03 +/-0.5
Size (in) (tolerance)	1.83 x 0.49 x 0.001 +/-0.02
Weight (g)	0.15

Presentation on Reel



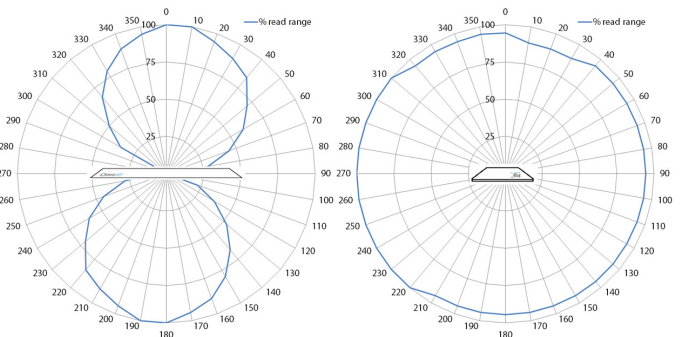
RF Specifications

Protocol	EPC Class 1 Gen2
Frequency Range (MHz)	860-960MHz (global)
Read Range (Fixed reader) ¹	Up to 5.0 m (16.5ft)
Read Range (Handheld reader) ¹	Up to 2.5.0 m (8.2ft)
Material Compatibility	Plastic and non metallic substrates.
IC Type (chip)	Alien Higgs 3
Memory ²	EPC - 96bits User - 512bits Unique TID - 64bits

1. Quoted performance achieved using standard testing methodology. Read range will vary with reader hardware and output power.
2. EPC and User memory are reprogrammable, TID is locked at point of manufacture.

Radiation Patterns

On Plastic



Related Products and Services

- ▶ **Omni-ID Prox NG** - Market leading, small form factor tag for mixed plastic and metal IT asset environments in global enterprises.
- ▶ **Omni-ID Prox label** - Small, consistent, product for mixed metal and plastic IT asset environments.
- ▶ **Omni-ID IQ 800P** - Large premium label for plastic assets.
- ▶ **Service Bureau** - Omni-ID offers a full service bureau for printing and pre-encoding Omni-ID tags at point of manufacture.



Environmental Specifications

Operating Temperature ¹	-40 to +85°C
Max Temperature Exposure ¹	-40 to +85°C
Application Temperature ¹	+18 to +35°C
IP Rating	IP68
Shock and Vibration	MIL STD 810-G
Attachment	Self adhesive (standard)
Certifications	RoHS approved CE approved
Warranty	1 year

¹ Excludes adhesive options, consult adhesive data sheets for recommended temperature ratings.

Ordering Information

Order Numbers	055 – GS (Product reference) :303 (Customization) ¹ :313 (TAA Compliant) :701 (Standard Service Bureau) ¹
---------------	--

Minimum Order Quantity 1000 labels / 2 rolls

¹ Printing over the IC area is not recommended.

