



Omni-ID Max® Rigid

Omni-ID Max Rigid is a long range passive UHF RFID tag capable of reading on, off, and near metal surfaces. Designed in a surprisingly small form factor, Omni-ID Max Rigid features a durable water tight encapsulation for long term use in outdoor and industrial environments.

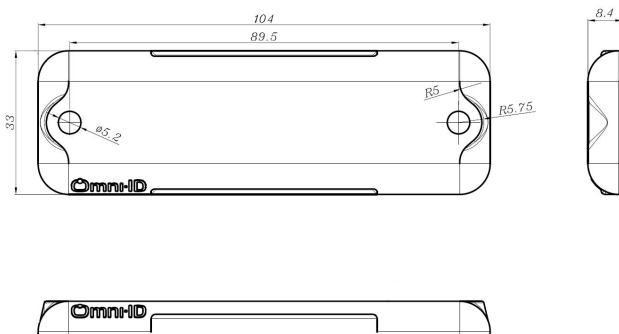
Applications

With its high performance and high durability encapsulation, Omni-ID Max Rigid is ideally suited to manufacturing and logistics applications including tracking:

- ▶ Returnable transit items (within region).
- ▶ Warehouse storage locations.
- ▶ Rail carriages.

Physical Specifications

Encasement	ABS or Polycarbonate
Size (mm) (tolerance)	104 x 33 x 8.4 (+/-1.0)
Size (in) (tolerance)	4.1 x 1.3 x 0.33 (+/-0.04)
Weight (g)	22.0



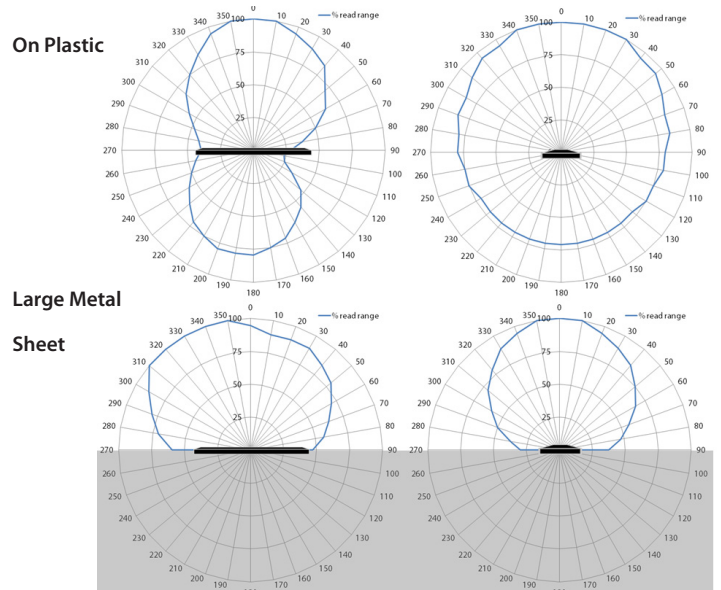
Dimensions stated in mm

RF Specifications

Protocol	EPC Class 1 Gen2
Frequency Range (MHz)	902–928 (US), 866–868 (EU) 952–954 (JPN)
Read Range (Fixed reader) ¹	Up to 12.0 (US) , Up to 10.0 (EU) Up to 7.0 (JPN)
Read Range (Handheld reader) ¹	Up to 6.0 (US) , Up to 5.0 (EU) Up to 3.5 (JPN)
Material Compatibility	Metal and non metallic substrates
IC Type (chip)	Alien H3
Memory ²	EPC - 96bits User - 512bits TID - 64bits

1. Quoted performance achieved using standard testing methodology. Read range will vary with reader hardware and output power.
2. EPC and User memory are reprogrammable, TID is locked at point of manufacture.

Radiation Patterns



Related Products and Services

- ▶ **Omni-ID Max SQ-D**- Extreme durability, long range and global operability in a small, square footprint, on metal RFID tag.
- ▶ **Omni-ID IQ 800 P**- Large premium label for plastic assets.
- ▶ **Omni-ID Max label** - High performance, long range RFID tag product for indoor applications involving metal and plastic assets.
- ▶ **Service Bureau** - Omni-ID offers a full service bureau for printing and pre-encoding Omni-ID tags at point of manufacture.



Environmental Specification

Operating Temperature	ABS: -20 to +55 °C PC: -20 to +85 °C
Long term Max Temperature ¹ exposure - (days,weeks,years)	ABS: +55 °C PC: +85 °C
Short term Max Temperature ¹ exposure - (minutes,hours)	ABS: +65 °C PC: +105 °C
IP Rating	IP68
Shock and Vibration	MIL STD 810-F
Impact	8kg from 1m
Attachment	Manual (standard) Film adhesive (option) Standard foam adhesive (option) Premium foam adhesive (option)
Certifications	RoHS approved CE approved ATEX/IECEx certified (option) US&Canada (C1D1/D2) certified (option)
Warranty	3 years

1. Excludes adhesive options, consult adhesive data sheets for recommended temperature ratings.

Ordering Information

Order Numbers	020 - US, EU, JPN :302 (PC) :304 (ATEX/IECEx certified) :307 (US&Canada (C1D1/D2) certified) :502 (film adhesive), :507 (std. foam), :508 (premium foam) :701 (Standard Service Bureau) :702 (Custom Service Bureau)
---------------	--

For more information, contact:

Omni-ID Corporate Headquarters:

1200 Ridgeway Ave
Rochester, NY 14615 USA

European Office:

The Enterprise Centre
Coxbridge Business Park
Alton Road, Farnham, Surrey
GU10 5EH, United Kingdom

Asia Office:

Process Export zone
East of Road No.4 and South of Road No.2
Chengyang District
Qingdao
266113, P.R. China

For product or technology inquiries:

Email customer.services@omni-id.com

