

说明书:108克双面铜板纸, 双面单色印刷, 风琴3折4页, 每页尺寸:85x156mm

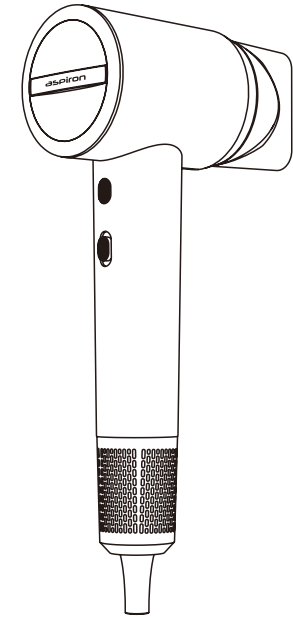
aspiron

Manufacture:Shenzhen Aspiron Technology Company Limited
Room 2803B,Building C,Galaxy World Phase II, Minle Community,Minzhi
Street,Longhua District,Shenzhen,Guangdong,China
E-Mail: support@aspiron.com

INSTRUCTION MANUAL

aspiron

FAST HAIR DRYER MODEL:AS-PCA001

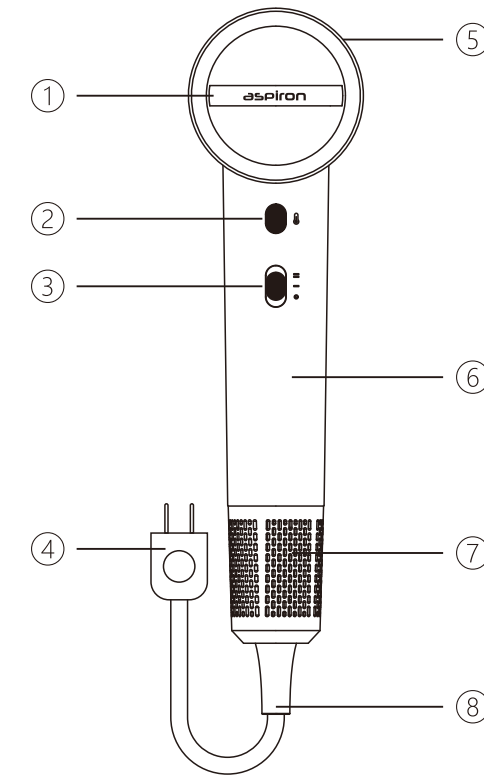


Please read before product use.
Save this manual for future reference. Made in China.

Caution ⚠

- Do not place the hair dryer within the reach of children and infants, otherwise it may cause electric shock and injury.
- Infants and children are not allowed to use the hair dryer alone, and must be used under the guidance of adults.
- Do not use the hair dryer with wet hands. Do not place or store the hair dryer near a sink, where there is water or other liquids, and where it is highly humid.
- Please keep this product dry.
- If the product is damaged, do not touch any internal parts to avoid electric shock.
- Please do not insert any objects into this product, and please do not place this product at will.
- If the power cord is damaged, in order to avoid danger, it must be checked by the manufacturer, product maintenance department or replacement by professionals in similar departments.
- The hair dryer must use a standard power socket, and check the output voltage of the socket, At the same time, it should be used separately from other electrical appliances.
- Make sure that the voltage used is consistent with the rated voltage marked on the machine.
- Do not leave with the hair dryer turned on.
- When you are finished using or encounter a power failure during use, you must unplug the plug from the socket. pull out When connecting the plug, you must hold the plug and pull it out of the socket.
- If the hair dryer is intermittent during operation, please stop using it immediately.
- Do not pull the power cord forcibly, and do not damage or modify the power cord. If the power cord or If the plug is damaged or becomes hot, stop using it immediately.
- Avoid dropping the hair dryer or subjecting the hair dryer to strong impact.
- Do not use petroleum gas or other flammable substances (such as propellant, paint thinner, spray agent, etc.) use a hair dryer nearby.
- The hair dryer must be installed and fixed in a place out of reach when bathing or showering and the hair dryer must be The installation and fixation of the wind must ensure that when the hand-held part is fully straightened, the bath and shower are still out of reach.
- When using in the bathroom, unplug after use, because even after the hair dryer is cut off, It is still dangerous to

- approach water, for your safety, it is recommended to install a Residual Current Device (RCD) with a rated leakage current not exceeding 30mA in the electrical circuit of the bathroom power supply. Consult your R CD installer.
- Do not use thinner, benzene and other solvents to clean the hair dryer.
 - During use, the hair care quick-drying nozzle may become hot, please use it carefully.
 - Be careful not to let your hair get caught in the air inlet during use, and do not insert foreign objects into the air outlet and air inlet, otherwise it may cause mechanical damage or electric shock. If the air inlet or outlet is blocked during use, the heater or hair dryer may not work. If this happens, please stop using it immediately, turn off the power switch and unplug it, and clear the blockage of the air inlet or outlet. After allowing the hair dryer to cool down for a few minutes, if it does not return to normal operation after reconnecting the power supply, please contact an authorized service center for repair.
 - Do not blow the airflow directly to the eyes or other sensitive parts.
 - This product is not suitable for persons with physical, sensory or mental disabilities, lack of experience and knowledge (including children), unless such persons are supervised or instructed in the use of this product and are responsible for the safety of the user.
 - Please properly handle the packaging bag of this product to avoid accidents such as suffocation of infants and young children. Keep the hair dryer out of the reach of children. Please supervise children to prevent them from treating this product as a toy and causing danger.
 - Do not use if the nozzle or hair dryer is damaged.
 - Do not use the hair dryer for purposes other than drying and styling. (For example: drying shoes and clothes, etc., otherwise the shell may be deformed by heat)
 - Do not use any accessories not provided by our company with this hair dryer.
 - When negative ions are produced, there will be peculiar smell, which is not harmful to health.
 - Do not use this appliance near a bathtub, shower, washbasin or other utensils filled with water.



- | | |
|-------------------|------------------|
| 1. Indicator lamp | 5. Upper blower |
| 2. Temperature | 6. Body |
| 3. POWER/SPEED | 7. Air inlet net |
| 4. Plug | 8. Power cable |

(1) Key operation instructions

- Power switch: The power switch is in the third gear mode, pull down to the end to turn off the power, push up the first gear to turn on the power with low wind speed, push the second gear up to high wind speed, push down to the end, turn off the power of the whole machine.
- Temperature key: Press this key in the working state, and the temperature of the host will be: cold air-warm air-hot air-cold and hot air alternately-cold air, sequentially cycled. Long press this key in the standby state to turn on and off by touch.

(2) Indicator status

Press the temperature button to switch between four levels of temperature. When cold wind is selected, white lights will be on in the back; When warm air is selected, orange lights will be on; When hot air is selected, red lights will be on; When cold and hot air alternately is selected, the white and red running lights will be on.

Product Character

- 110,000 rpm/BLDC high-speed motor, 3 minutes quick drying
- Using 110,000 rpm high-speed brushless motor, strong wind, no need for high temperature, fast drying.
- Four intelligent use modes, more suitable for personalized use needs, three-dimensionally nourishing hair, and intimately creating personalized hairstyles.
- High-speed negative ions
High-speed airflow transports nano-negative ions from root to tip, reducing static and frizz. Helps condition hair while creating a smoother look.
- Precise and intelligent temperature control technology
The intelligent temperature control technology monitors the temperature of the air outlet and transmits the data to the microprocessor to ensure a constant temperature,

prevent the hair from drying out and split ends due to the loss of moisture and nutrients, making the hair naturally strong and reducing hair breakage caused by overheating.

- NTC intelligent hot and cold circulating air
The hot and cold air is automatically alternated, preventing the scalp temperature from being too high, tightening the cuticles, and blowing out a soft and fluffy hairstyle.

Low electromagnetic radiation

By changing the structure of the movement, the air outlet is close to zero electromagnetic wave radiation, and children and pregnant women can also use it with confidence.

Precautions

1. Do not repair, disassemble or modify the hair dryer by yourself.
2. If the power cord or plug is damaged, in order to avoid danger, please stop using it immediately and contact Replace it by an authorized repair center .
3. For example, when using hot air, the wind blowing often becomes cold, and the inside of the hair dryer sometimes sees fire.flower. Please consult or contact an authorized service center for repair.
4. Before the air outlet is cooled, the power cord should not touch the air outlet, and the power cord should be Roll up and then store.
5. This machine does not have waterproof function, please do not wash or place the machine in standing water or damp.
6. Wipe the power cord and plug regularly with a cloth.
7. After each blow, please make sure to turn off the power switch and pull out the power plug.
8. Do not use corrosive solutions such as: alcohol, Tianna water, gasoline, nail remover, etc.
9. Do not wrap the power cord around the fuselage, it should be placed next to the machine in a loose loop.
10. Do not let the machine fall from a height.
11. Regularly clean the dust of the air inlet net, the dust

accumulated on the dust net is easy to block the dust net The air inlet network needs to be cleaned regularly. The air inlet net uses an innovative magnetic adhesion device, which can realize quick and convenient disassembly and cleaning, effectively solving the problem of cleaning the dust net.

Product parameters

Product Name: FAST HAIR DRYER
Product Model: AS-PCA001
Wind speed gear: Two gears wind speed
Working mode: Four modes
Working voltage: 120V~60Hz
Product weight: 544g
Rated power: 1400W
Product size: 278*89.2*68mm

FCC Compliance

This device complies with Part 15 of the FCC Rules. Operation is subject to the following two conditions:
(1) This device may not cause harmful interference, and
(2) This device must accept any interference received, including interference that may cause undesired operation.