



Thank you for your purchase!

All-Weather Adirondack Chair

ASSEMBLY INSTRUCTIONS

Before You Begin:

Please identify all component parts and hardware pieces required before you begin. Carefully remove all of the components from the packaging and set aside for assembly. Assemble on a soft surface to prevent scratching during assembly.

Caution:

Tighten all components securely before use. Failure to do so may result in personal injury.

DO NOT use any sharp objects to open plastic wrapped components as damage to product or components may result.

Warning:

CHOKING HAZARD - Small Parts. Adult Assembly Required.

Injury may result from tipping furniture. You must install the Tipping Restraint Hardware with the unit to prevent the unit from tipping and causing any accidental injury, instability, death or damage. The tipping restraint is intended only as a safety measure, it is not a substitute for proper adult supervision.

This tipping restraint is not an earthquake restraint. If you wish to add the extra security of earthquake restraints, they must be purchased and installed separately.

Serious or fatal crushing injuries can occur from furniture tipping over. To prevent furniture from tipping over it must be permanently fixed to the wall. Fixing devices for the wall are not included since different wall materials require different types of fixing devices. Use fixing devices suitable for the walls in your home.

Failure to detach this restraint *before* moving furniture may result in injury or damage

DO NOT ALLOW CHILDREN TO CLIMB ON FURNITURE

Pre-Assembly

TOOLS REQUIRED (not included)



Phillips screwdriver

HARDWARE INCLUDED

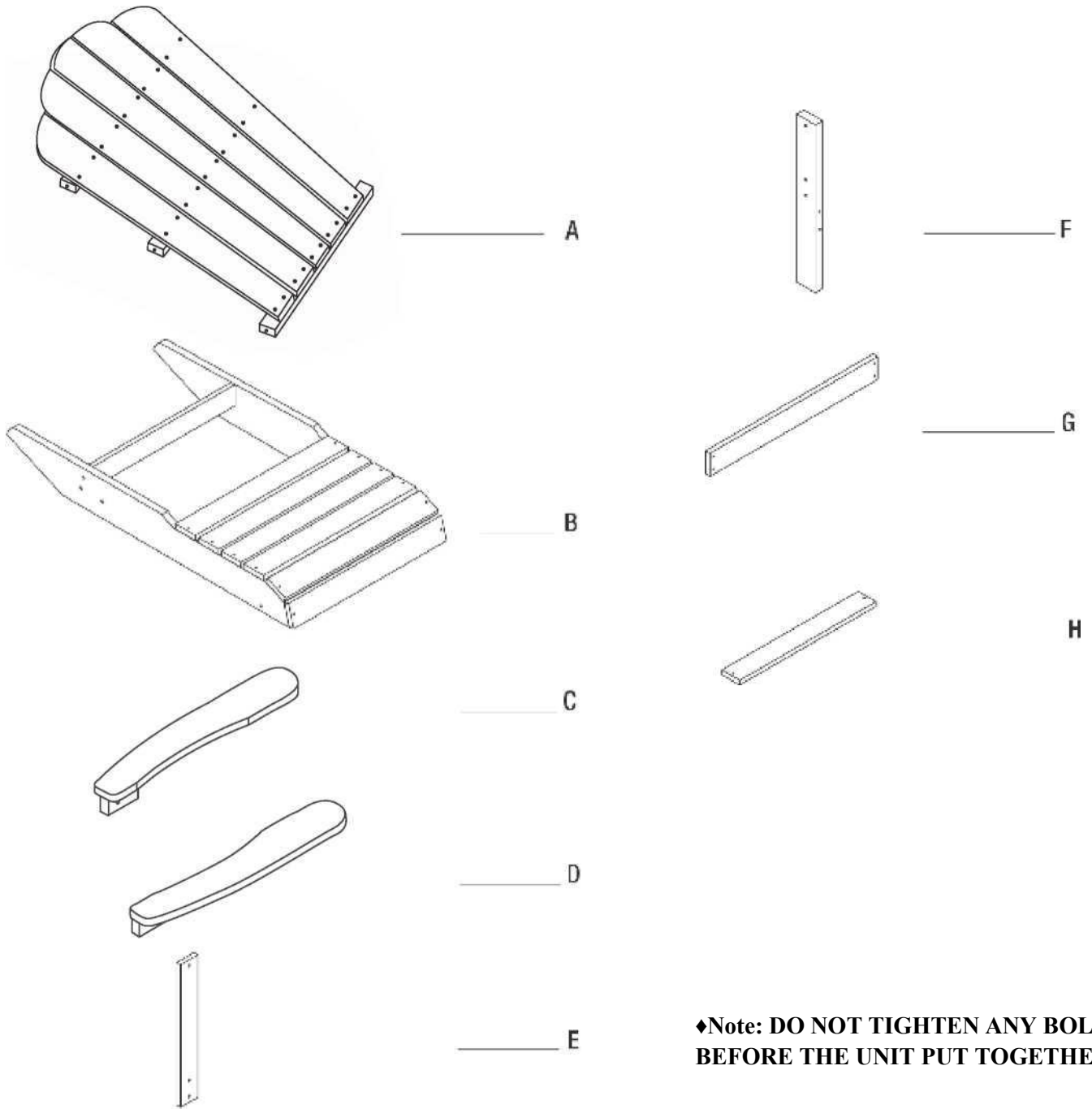


NOTE: Hardware not shown to actual size.

Part	Description	Quantity
AA	Screw (3.5x40)	6
BB	Bolt (M6x60)	2
CC	Bolt (M6x70)	2
DD	Bolt (M6x60)	6
EE	Bolt (M6x45)	4

Thank you for your purchase!

Parts



◆Note: DO NOT TIGHTEN ANY BOLTS BEFORE THE UNIT PUT TOGETHER.

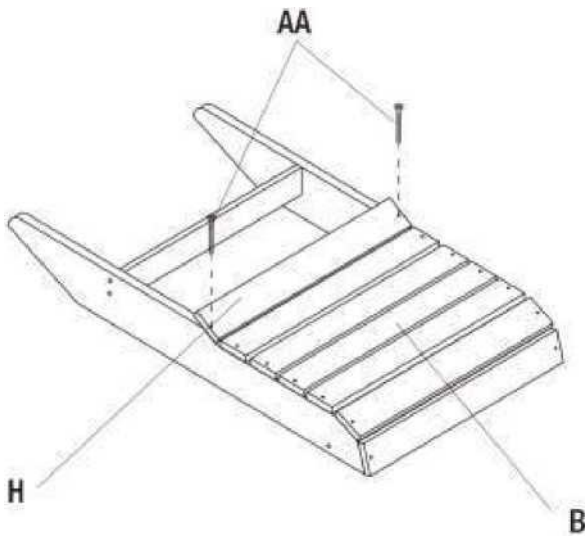
Part	Description	Quantity
A	Back	1
B	Seat	1
C	Left armrest	1
D	Right armrest	1
E	Vertical Back Support	2
F	Front Legs	2
G	Front Leg Cross Beam	1

H	Rear Seat Slat	1
---	----------------	---

Thank you for your purchase!

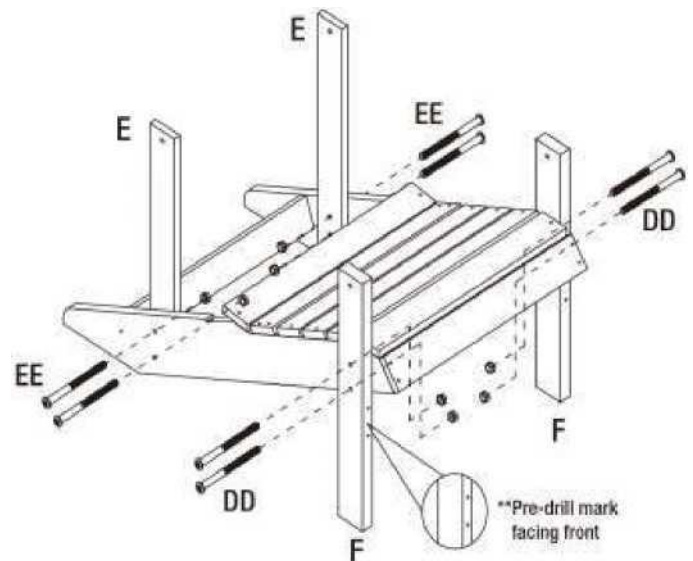
Step 1 Attaching the rear seat slat

- Attach the rear seat slat (H) to the (B) with screws (AA).



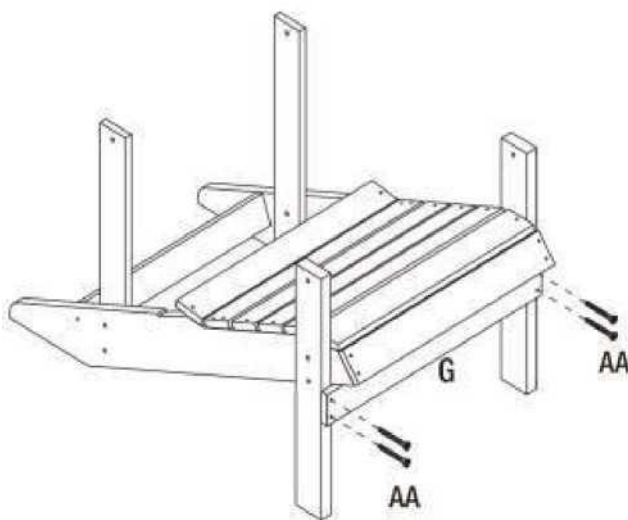
Step 2 Attaching the front legs

- Attach the front legs (F) onto the seat (B) with Bolts (DO). Attach Vertical Back Support (E) onto the Seat with Bolts (EE).



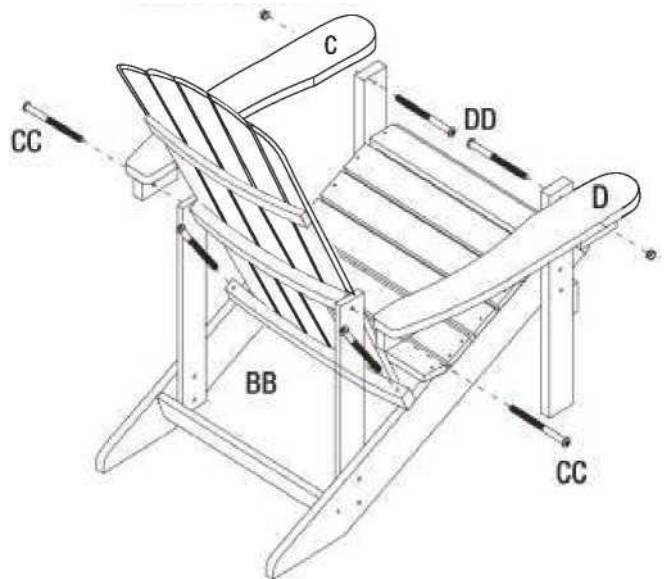
Step 3 Attaching the cross board

- Attach the Cross Beam (G) to the front legs (F) with screws (AA).



Step 4 Attaching the Hinge

- Attach the Back (A) to the Seat (B) with Bolts (BB). Attach the Armrest (C & D) to the Front Legs with Bolt (DO). Attach the Armrest to the Vertical Back Support (E) with Bolt (CC).



'Thank you for your purchase!