

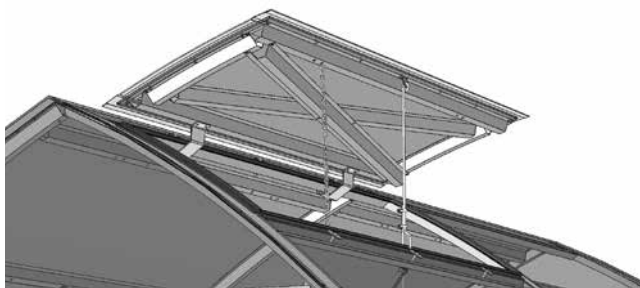


www.PlantaGreenhouses.com

SMALL WINDOW

for the honeycomb polycarbonate greenhouse

«Gi b[fck »
design 2017



Technical certificate

p.2-3

Assembly manual

p.4-7















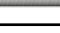








Perform assembling and operation of the greenhouse in strict accordance with the manual and operating rules stated in the technical certificate. Please keep this technical certificate for further reference.

Description

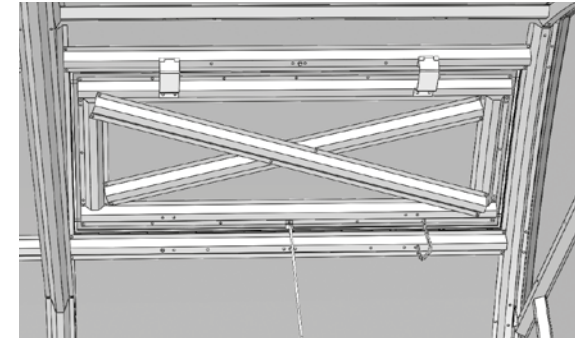
The small window is designed to ventilate greenhouses. The frame of the small window is made of galvanized steel and is to be assembled with screws and nuts. The small window kit includes all the necessary fastening elements. In this version, the small window is opened and closed manually.

Detailed parts list «Fortochka»

	Name	quantity, pcs
1-st package		
φ1	Horizontal 	2
φ2	arc 	2
φ3	Small diagonal 	1
φ4	Big diagonal 	1
	Wire stop 	1
	Wire extender 	1
	Vertical cleat 	2
	Gorizontal cleat 	2
	Opening seal 	0,390 m 2
		0,944 m 2
2-nd package		
	Angle 	1
	Chain 	0,5 m
	Top hinge 	2
	Botton hinge 	2
	Screw M5x10 	46
	Screw M5x35 	6
	Screw M5x45 	2
	Washer 32x5 	6
	Nut M5 	52
	Fixture 	2
	Scotch tape 	1
	Lock nut M5 	2

Rules of operation

Before operating the small window must be assembled and installed in the greenhouse in accordance with the manual. The small window should not be exposed to effects that can create permanent deformation of the frame and coating.



Date of manufacture:

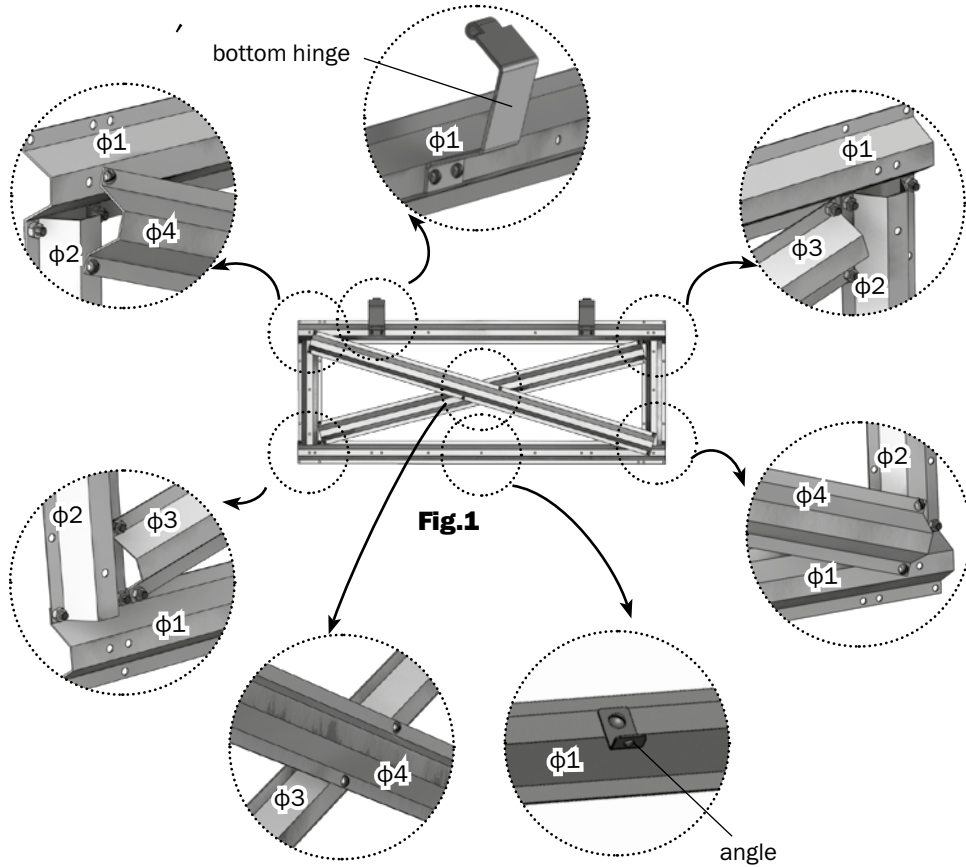
Warranty liabilities

1. The manufacturer bears responsibility for the complete setup.
2. The manufacturer bears responsibility for the small window assemblability in accordance with the manual.
3. Claim presentation period is 12 months from the date of purchase.

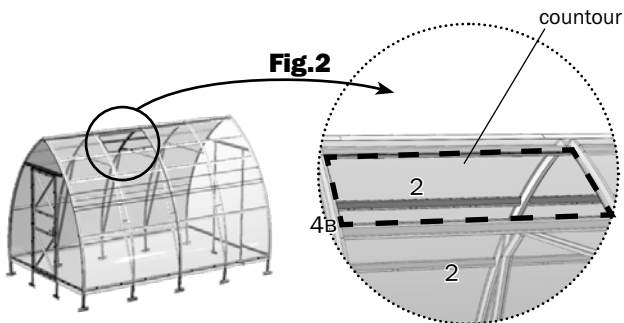
Warranty conditions

- Warranty liabilities do not apply to cases of:
1. the small window installation with violation of requirements of the manual.
 2. violation of the rules of operation.
 3. floods, hurricanes and other natural disasters.

1. Assemble the window frame from the parts of $\phi 1$, $\phi 2$, $\phi 3$, $\phi 4$ and place the bottom hinge (2 pcs.) and the angle on the frame **fig.1**.



2. Cut from inside the greenhouse a rectangular window in the polycarbonate, the contour of which passes through the edges of parts **2** and **4b** (**fig. 2**). Small windows are installed in the ridge part of the lateral opening of the frame.



3. On the part **2** (ridge) install the top hinge (it is needed to unbend polycarbonate) (**fig. 3**).

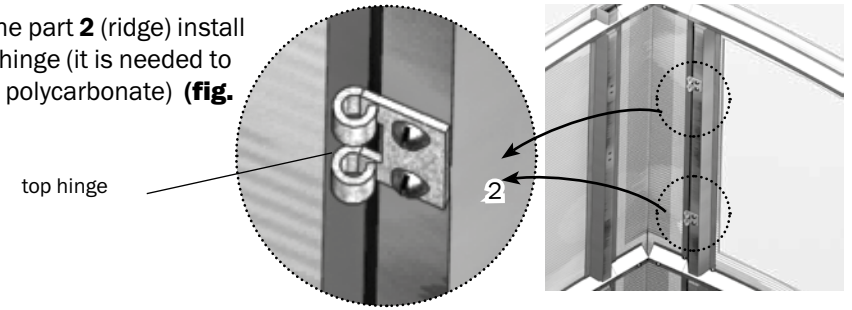
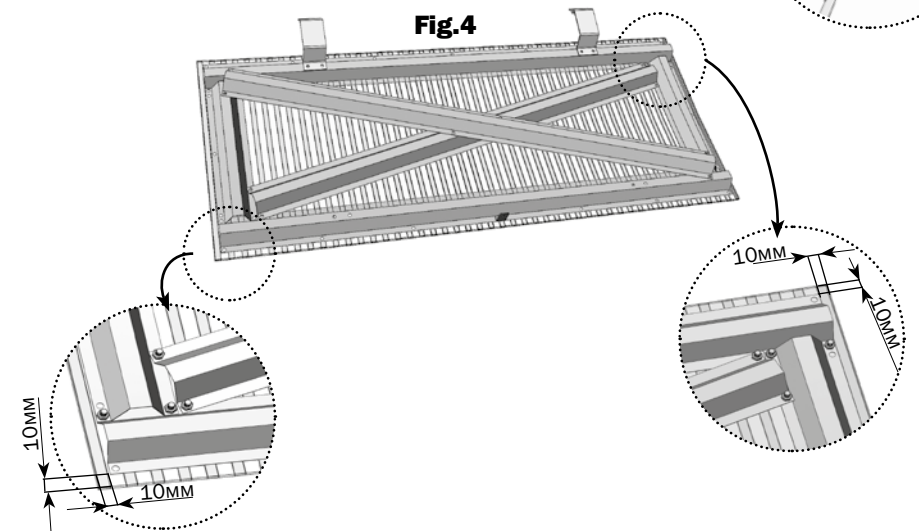
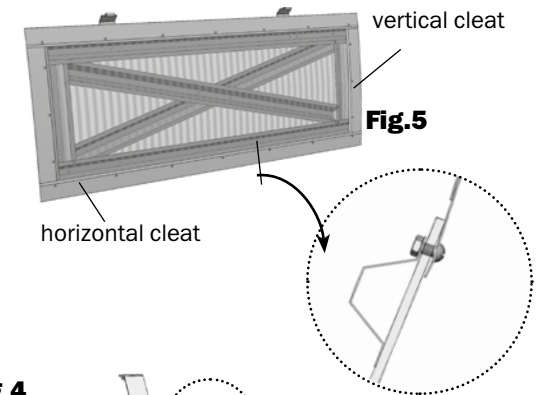
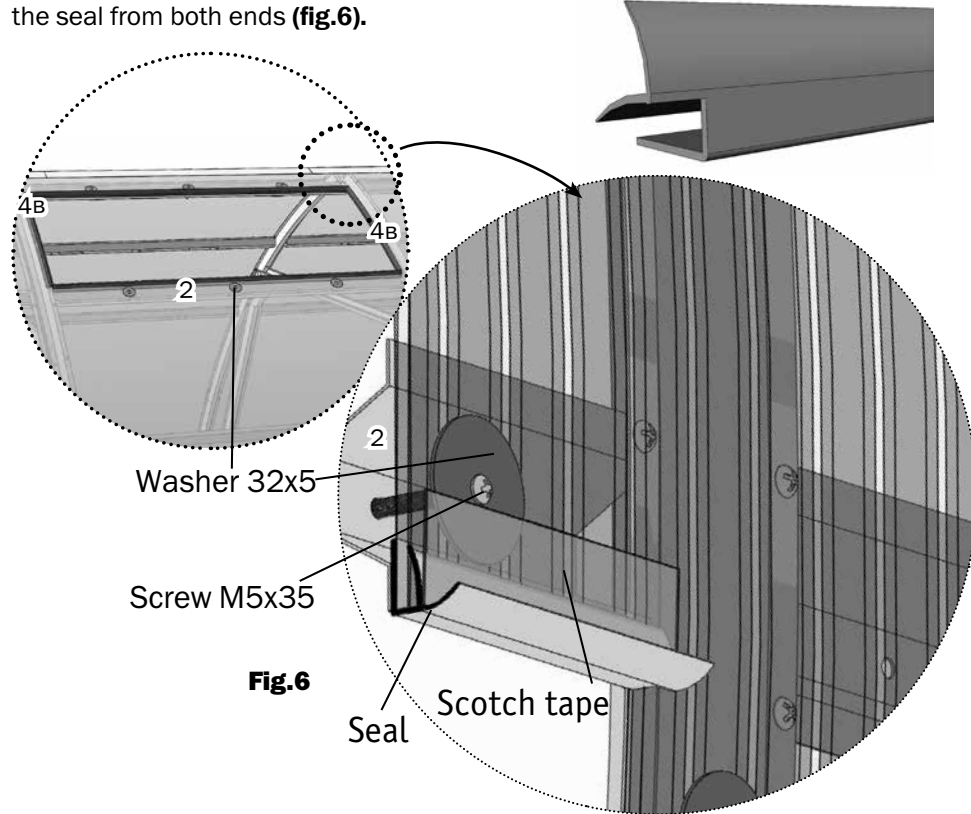


Fig.3

4. Cut polycarbonate along the contour of the window, keeping the indentation (**fig.4**). Fasten polycarbonate on the frame of the small window with the help of cleats in accordance with **fig. 5**. While fastening the polycarbonate, observe the polycarbonate orientation rule. The surface with the protected layer should be facing outward (towards the sun).



5. Place the seal on the contour of the cut, putting it on a cut of polycarbonate. The edges of the top seal need to be released outside the cut-out contour to drain the rain water. To do this, cut off the part of the seal from both ends (**fig.6**).



On top of the seal edges, adjoining to the polycarbonate outside, stick the Scotch tape.

6. Install the small window by connecting both parts of the hinges with screws with lock nuts M5 (**fig. 7**).

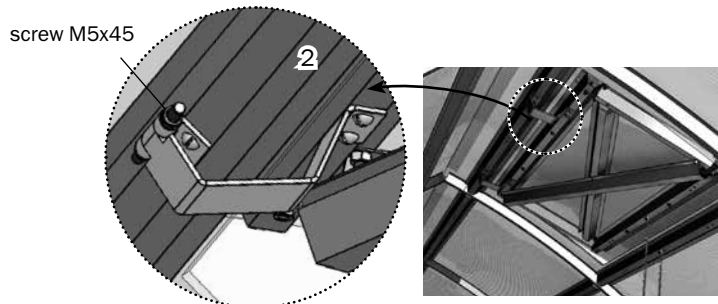
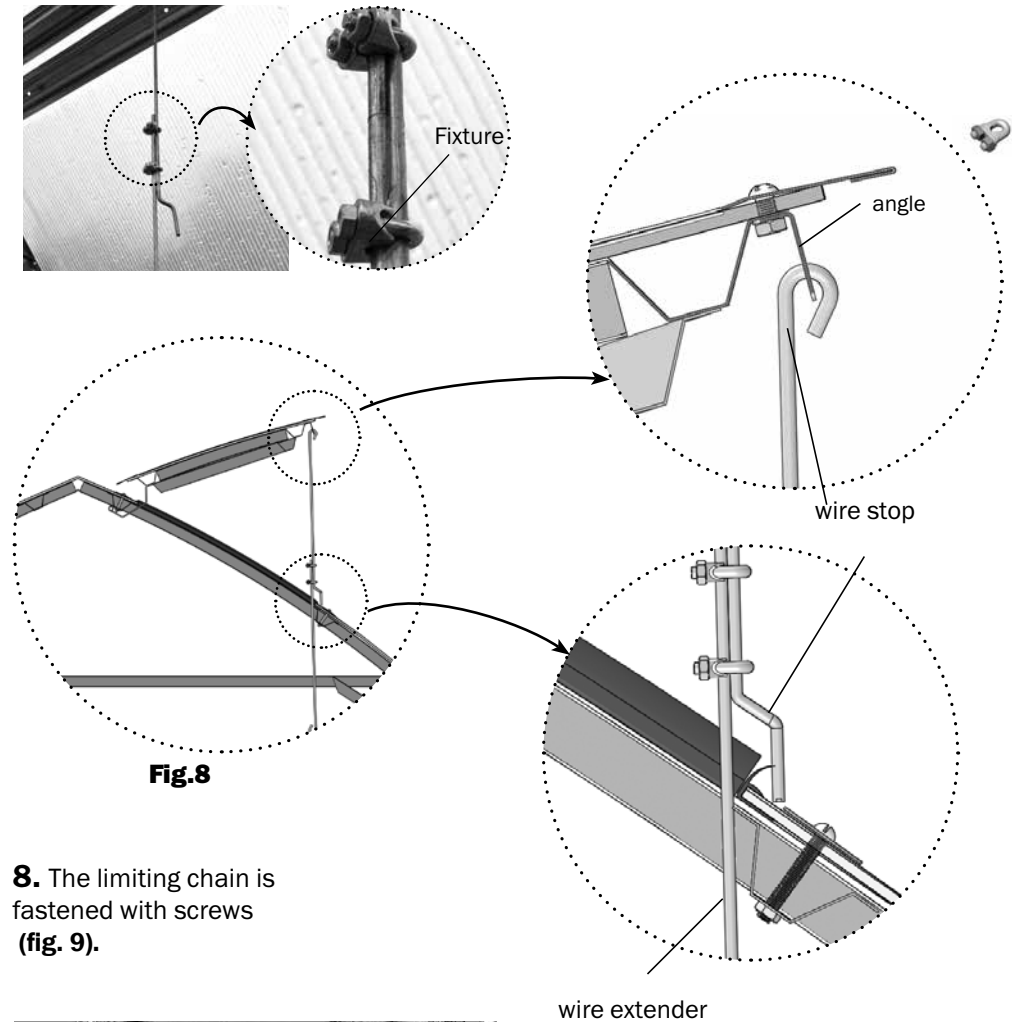


Fig.7

7. For installation of a manual opening and fixation device of the small window joint wire parts with fixtures and install them on the small window with the help of the angle (**fig. 8**).



8. The limiting chain is fastened with screws (**fig. 9**).

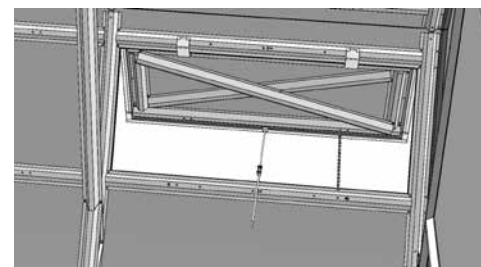


Fig.9



www.PlantaGreenhouses.com

1(877) 669-1286

Designed for North America



This manual cannot be reproduced in any form, in whole or in part, without an express written permission of Planta Greenhouses company

EN