

2023

GREEN HOUSE

CATALOG FOR GARDENERS



GREENHOUSE SUPPLIES

Solexx Panels

Skypoly Panels

Vent Windows

Climate Control

Shade Cloth

Ground Covering

Greenhouse shelf

Solar Generator



DiveTo
Garden

<https://divetogarden.com/>

SUNGROW GREENHOUSE BY PLANTA



SunGrow20 10x8x20

The unique 8 ft roof height makes it very comfortable to work inside and the heavy-duty, rust and snow-resistant steel frame will ensure that your greenhouse will remain intact for years to come even during extreme winter conditions.

The standard SunGrow 20 is 19.5 ft long, 10 ft wide, and 8 ft high. Extensions can be added to make the SunGrow over 100 ft long.



SunGrow26 10x8x26

Peak Style greenhouse perfect for 3 or 4-season gardening of flowers, fruits, and vegetables.

It is made of steel and polycarbonate. Tough enough for commercial farming, but compact and affordable enough for home use.



SunGrow32 10x8x32

SUNGROW GREENHOUSE BY PLANTA



Sungrow Compact 10x8x6



Sungrow Urban 10x8x13

All Sungrow Greenhouse Features

- Galvanized Steel Structure
- Heavy-Duty, Rust-Resistant Frame
- Snow Load Weight of 360 kg/ m². Wind Resistant up to 65 mph (100 km/h)
- 6mm Twin-Wall Polycarbonate Panels
- Can Be Installed with or without a base
- Extendable and Customizable
- 10 Years Warranty

<https://divetogarden.com/>

SIGMA GREENHOUSE BY PLANTA



Sigma 20 10x7x20



Sigma Urban 10x7x13

All Sigma Greenhouse Features

- Galvanized Steel Structure
- Heavy-Duty, Rust-Resistant Frame
- Snow Load Weight of 32 psf
- 6mm Twin-Wall Polycarbonate Panels
- Extendable and Customizable
- Can Be Installed with or without a base
- Garden Beds are not included

SIGMA GREENHOUSE BY PLANTA



Sigma32 10x7x32

Sigma series greenhouse is a compact heavy-duty Round Style garden greenhouse designed for backyard farming in limited spaces, made of steel and polycarbonate.

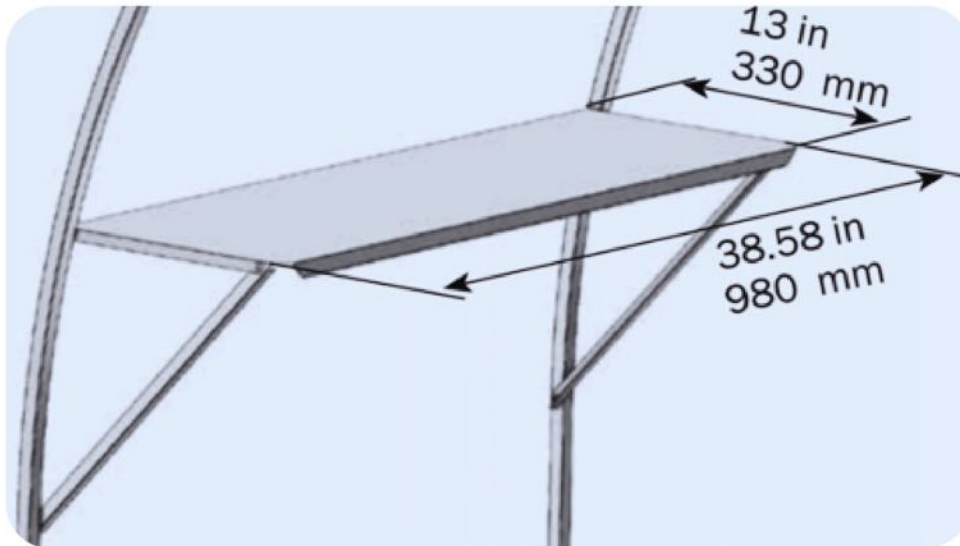
The Greenhouse is 10 ft wide and 20 ft long. It is perfect for 3 or 4 season gardening of flowers, fruits, and vegetables, perfect for cold winter.

The unique 7 ft roof height makes it very comfortable to work inside. The heavy-duty, rust and snow-resistant galvanized pipe frame provides assurance that your garden will remain safe during extreme winter conditions and will need to be assembled only once.



Sigma26 10x7x26

PLANTA GREENHOUSE ACCESSORIES



The shelf is installed inside the greenhouse at any convenient height. It can be used for growing seedlings, placing garden tools, or other household needs. Is not recommended to put more than 22Lbs on a shelf.

- Length - 98 cm / 38.6 in
- Width 33 cm / 13 in
- Maximum load: 10 kg / 22 lbs
- Galvanized metal
- The shelf is designed for light things: gloves, hand tools, etc.

PLANTA GREENHOUSE ACCESSORIES



**Automatic Roof
Vent Window**

Sigma automatic ventilation window is a perfect complement to your Sigma Greenhouse.

Provides heat-activated ventilation and improves air circulation inside your Sigma Greenhouse.

Sigma ventilation window is a perfect complement to your Sigma Greenhouse. Provides ample ventilation and improves air circulation inside your Sigma Greenhouse.



**Manual Roof
Vent Window**

RIGA GREENHOUSE BY HOKLATHERM



RIGA 3 10X7X10.ft



RIGA 4 10X7X14.ft

The Riga greenhouses offer a variety of possible uses thanks to their spacious interior design. The greenhouses have plenty of space for large plants and palm trees. Furnished sensibly with a shelf, plant tub, and plant table, there may be a free corner for your garden tools or for a seating area.

The onion shape of the greenhouses, which has proven to be very practical, is particularly striking. Thanks to the onion shape, no leaves or debris collect on the roof. Another advantage is that the shape of the greenhouse means that there is hardly any surface exposed to the wind. The greenhouse comes standard with automatic windows, a divided revolving door, and a rear wall window so that there is natural ventilation.

RIGA GREENHOUSE BY HOKLATHERM



RIGA 5 10X7X18.ft

- The Riga Greenhouse offers more window and door ventilation than another unit in its class.
- The polycarbonate glazing is of superior quality than the much more common Polygal Or GE glazing
- Wind Resistant up to 100 mph. Due to the onion shape, no snow/debris collects on the roof.
- Front Side Entrance. (Need special parts to add back entrance, contact us)
- 8 mm Side Wall Twin-Wall Polycarbonate Panels; 10 mm Twin-Wall Polycarbonate Gable Ends
- The optional 6" high foundation frame can be buried in a trench to easily and securely anchor the greenhouse. This is a great option if other anchoring methods, such as concrete, are not desired.
- Aluminum frame profiles are never loose due to wind pressures
- Made and Engineered in Germany - Guaranteed Top Quality!
- 10 Years Warranty on Panel; 15 Years on Frame

RIGA S GREENHOUSE BY HOKLATHERM



RIGA 2S 8X7X8.ft



RIGA 3S 8X7X10.ft



RIGA 4S 8X7X14.ft

Riga S series have all the feature the same as the standard Riga Series.

This is a narrower version to fit in smaller spaces.

RIGA XL GREENHOUSE BY HOKLATHERM



RIGA XL5 14X9X16.ft



RIGA XL6 14X9X20.ft

RIGA XL GREENHOUSE BY HOKLATHERM



RIGA XL7 14X9X23.ft



RIGA XL8 14X9X26.ft

RIGA XL GREENHOUSE BY HOKLATHERM



RIGA XL9 14X9X30.ft

The Riga Extra Large Greenhouse is a high-quality hobby-kit type greenhouse offered by Riga, which is suitable for serious gardeners. It is equipped with Triple Wall Polycarbonate that has a 10-year warranty, making it durable and long-lasting.

The greenhouse features 16mm UV-coated TRIPLE-wall Polycarbonate Glazing, which provides excellent insulation and helps to maintain a stable temperature inside the greenhouse. This glazing also offers protection from harmful UV rays that can damage plants.

In addition to the triple-wall polycarbonate glazing, the Riga Extra Large Greenhouse also features 10mm twin-wall polycarbonate in the front and back walls. This provides extra strength and durability to the greenhouse, making it more resistant to wind and weather.

HOKLATHERM GREENHOUSE ACCESSORIES



Addition Roof window

Riga 2s, 3s, 3, 4s, 5s

Maximize the natural ventilation in your Riga Greenhouse with an extra 40" wide x 24" deep automated roof window.

Each window work with an automatic opener for hands-off operation. It opens and closes according to indoor temperature.



RIGA Greenhouse
Extention-Door Kit



Automatic Window Opener

The "arm" is the part of the opener that connects to the window itself, and the quick release allows it to be disconnected in case of adverse weather conditions, such as high winds or heavy snow.

The use of paraffin oil in a piston is an interesting approach to creating a temperature-sensitive release mechanism. When the temperature reaches around 72°F, the paraffin oil expands, causing the piston to move and release the arm from the opener.

RIGA Greenhouse Extention-Door Kit

To raise greenhouse 20" when placed on a stem wall. This kit setup above the build-in door. Not recommended to adjust the height.

For the RIGA XL model: The door opening in the wall should be 40" wide. For all Riga XL models - includes extensions for 2 doors

Please be aware the foundation frame is intended to be buried in the ground to anchor the greenhouse. It is not designed to be placed on a wall out of the ground. You don't need foundation if you want to sit the greenhouse on the stem wall.

HOKLATHERM GREENHOUSE ACCESSORIES

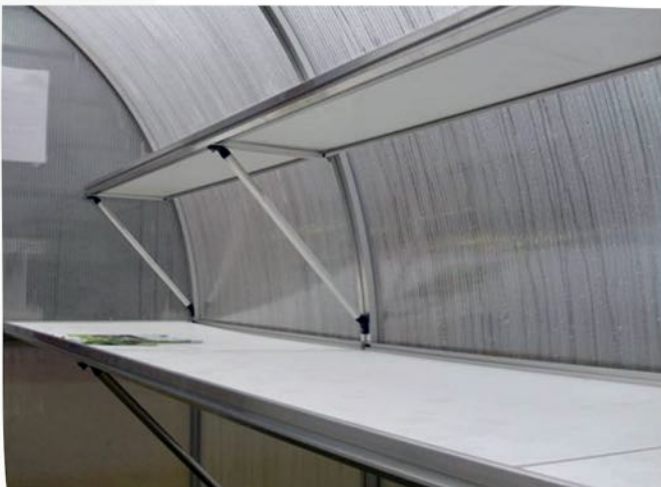


Greenhouse Foundation Frame

The Riga and Riga XL Greenhouse Base helps secure the greenhouse to the ground and raises the greenhouse height for more growing and headroom.

The foundation frame is intended to be buried in the ground to anchor the greenhouse. It is not designed to be placed on a wall out of the ground.

Top and Bottom Shelf of RIGA Greenhouse



Top Shelf Sizes

- 2s - (10"W x 7"L)
- 3/3s - (10"W x 10'4"L)
- 4/4s - (10"W x 13'10"L)
- 5 - (10"W x 17"L)
- XL5 - (10"W x 16'4"L)
- XL6 - (10"W x 19'8"L)
- XL9 - (10"W x 29"L)

Bottom Shelf Sizes

- 2s - (25"W x 7"L)
- 3/3s - (25"W x 10'4"L)
- 4/4s - (25"W x 13'10"L)
- 5 - (25"W x 17"L)
- XL5 - (25"W x 16'4"L)
- XL6 - (25"W x 19'8"L)
- XL9 - (25"W x 29"L)

HOKLATHERM GREENHOUSE ACCESSORIES

Exhaust Vent with Fan and In-Take Shutter Vent for RIGA Greenhouse



The exhaust fan is an essential component of RIGA greenhouses to maintain proper air circulation and ventilation. It helps to remove excess heat, moisture, and stagnant air, creating a more comfortable and healthy environment for plants to grow.

- This fan works best with VC115-C thermostat controller.
- Usually positioned in a high location in the back wall
- Comes pre-wired with 9 feet plug-in power cord
- 110 volt with cord and plug



Sizes Exhaust Vent with Fan

- 12" - Riga 2,3,4
- 16" - Riga 5, VI34, VI36, VI46
- 20" - All Riga XL

Sizes In-Take Shutter Vent

- 16" - Riga 2,3,4
- 20" - Riga 5, VI34, VI36, VI46
- 24" - All Riga XL
- This works best with VC115-C thermostat controller.
- Usually positioned in a high location in the lowest panel in the front wall.
- Comes pre-wired with 9 feet plug-in power cord
- 110 volt with cord and plug



HOKLATHERM GREENHOUSE ACCESSORIES

RIGA OPTIONAL ACCESSORIES



The Riga wind restraint system is designed to help secure your Riga roof window during high winds. Work for Riga S, Riga, and Riga XL Windows and Victorian Greenhouse



Sash-Lock with screws - recommended to shut roof windows and top half door



Misting System: Standard with the Royal Victorian Greenhouses, but can be added to our other greenhouses – up to 14 ft long. Fits a 20' greenhouse. Has 5 misters and can easily be cut shorter. 14 feet long
Has 5 adjustable misting heads
Can be cut to fit the Greenhouse



Plastic Hooks: Set of 10 hangers: These snap into the grooves in the aluminum profiles (frame) and are used to attach twine/rope to, to support growth of tall plants (I.e. Tomatoes or beans etc.)



Adjustable Metal Hooks: Set of 5 metal hooks. These are great for hanging lights, fans and flower baskets (heavier items)

HOKLATHERM GREENHOUSE ACCESSORIES

RIGA XL OPTIONAL ACCESSORIES



The RIGA XL Pro Accessory Kit - This collection of optional accessories is the perfect way to upgrade any RIGA XL greenhouse model.

All of these accessories have been picked to be beneficial to plant growth and health.

- Kits Include:
 - RIGA XL Top & Table Shelf
 - (3) sets of professional LED grow lights
 - (1) 24" in-take shutter vent
 - (1) 20" exhaust fan
 - (1) Thermostat to control vent & fan
 - (1) 17,500 BTU 220 V heater
 - (5) heavy duty seed trays
 - (10) stainless steel hooks & 10 heavy duty plastic "hooks"
 - Also includes facilitation kit to help installation.



The RIGA Assembly Facilitation kit contains tools that will make the assembly process go smoothly and correctly.

- Kits Include:
 - (1) 25' metric tape measure
 - (1) 10mm socket wrench
 - (1) 10 mm open wrench
 - (2) 20' J-hook ratchet straps
 - (1) Window restraint cables
 - (2) Tubes Boss 399 silicone caulk
 - (1) Permanent marker

CATHEDRAL VICTORIAN BY JANSSENS



Cathedral Victorian 15X12X20.ft

The Cathedral greenhouse has a large space with a cupola that can be used for multiple purposes including gardening, a social room, an outdoor party room, or a beautiful dinner spot.

- Exact Size: 15' (W) x 9'(H) X 19'10"(L)
- Cupola Size: 5'4" (W) x 10'2"(L)
- Door Size: 28"(W) x 72"(H)
- Roof Window Size: 29" (W) x 33" (H)
- Louver/Hanging Window Size: 28.5" (W) x 39" (H)
- Large space for plants or multiple purposes
- Thick and strong aluminum frame. 4mm Tempered Glass
- Wind Resistant up to 120 mph.
- 25PSF ground snow load
- 9' tall design provides you better gardening or leisure experience in the greenhouse
- Beautiful roof ridge with a touch of English Sophistication
- Made and Engineered in Belgium - Guaranteed Top Quality!
- 15 Years Warranty

<https://divetogarden.com/>

EOS T-SHAPE BY JANSSENS



EOS T-Shape 13x10x13ft

Regular or Ground Edition

This product has dimensions of 12'10" D x 13'2' L/W x 9'8" H at the peak, with 6' shoulders, and provides 169 square feet of interior space.

This structure is designed to be built directly on the ground or a concrete pad. It's worth noting that if you plan to install this structure on the ground, it's important to make sure the site is level and stable before beginning construction

Wall Edition

This structure is specifically designed to sit on a 15.75" H wall, which the customer builds themselves.

The EOS-Wall has slightly shorter side walls than the EOS-Regular. Additionally, the door drops below the frame to accommodate the wall. This design feature ensures that the structure sits securely on the wall and provides a stable foundation for the rest of the structure.

JUNIOR VICTORIAN BY JANSSENS



Jr Victorian Orangerie
10X8X13.ft



Jr Victorian VIC 23 Glass
8X8X10.ft



Jr Victorian VIC 24 Glass
8X8X12.ft



Jr Victorian VIC 25 Glass
8X8X15.ft

If you are looking for an elegant greenhouse that can hold your hobby and social gathering, don't miss out on this classic English glass glazing greenhouse which will make your backyard gorgeous and full of luxury and features of modern technology.

The Victorian Greenhouse is one of the premier greenhouses in the "Helios" line of greenhouses from Janssens of Belgium. This company has been making high-end glass greenhouses for over 70 years.

FEATURE

- Classic English greenhouse with 4mm glass glazing.
- A thick and strong aluminum frame made coverage better.
- Wind Resistant up to 120 mph. Due to 3-second gusts
- 25 PSF ground snow load
- 8'2" tall design provides you better gardening or leisure experience of the greenhouse
- Roof ridge adds a touch of English sophistication
- Made and Engineered in Belgium - Guaranteed Top Quality!

MODERN VICTORIAN BY JANSSENS



Modern M23 Sloping Roof
8X8X10.ft



Modern M34 Sloping Roof
10X9X15.ft

Luxury free-standing greenhouse with a straight wall and a single-sloped roof. Comes standard with a set of double-hinged doors, roof windows, and louver windows as well.

- Top-quality tubular profiles for optimal durability
- 4 mm tempered safety glass is up to 7 times stronger than garden glass, which breaks into small, harmless fragments in the event of damage
- Wind Resistant up to 120 mph. Due to 3-second gusts
- 25PSF ground snow load
- The black finish provide luxury and a modern feeling
- Easy to assemble
- Made and Engineered in Belgium - Guaranteed Top Quality!

RETRO VICTORIAN PREMIUM BY JANSSENS



Retro.Victorian VI36 Premium
10X9X15.ft



Retro.Victorian VI46 Premium
13X9X20.ft

The Retro Royal Victorian Greenhouse by Janssens is not only beautifully styled with classic English elegance, but it is also fully featured with lots of included items typically only available as accessories on other models.

The classic look and durability are enhanced by narrow 14" tempered glass panels, and decorative lower side panels all the way around. This greenhouse is a great choice for getting serious about growing plants and can also function as an outdoor entertainment space.

- Classic English greenhouse with glass glazing beautiful view
- Thick and strong aluminum frame. The decorative roof ridge adds a touch of English sophistication.
- Wind Resistant up to 120 mph. Due to 3-second gusts
- 25PSF ground snow load
- 9' tall design provides you better gardening or leisure experience in the greenhouse
- Roof ridge adds a touch o English sophistication
- Made and Engineered in Belgium - Guaranteed Top Quality!

ROYAL VICTORIAN BY JANSSENS

The Victorian Greenhouse is one of the premier greenhouses in the "Helios" line of greenhouses from Janssens of Belgium. This company has been making high-end glass greenhouses for over 70 years.

This is a classic-looking English greenhouse with the best insulation and features of modern technology.

Thick frame profiles combined with rubber seals and a high-quality structural design will give you peace of mind in any weather condition.



Royal Victorian VI23 8X9X10.ft

Royal Victorian VI23

- Classic English greenhouse with 2 options of glazing with great insulation.
- Thick and strong aluminum frame. The decorative roof ridge adds a touch of English sophistication.
- Wind Resistant up to 120 mph. Due to 3-second gusts
- 25PSF ground snow load
- The 8'6" tall design provides you better gardening or leisure experience with the greenhouse
- Roof ridge adds a touch o English sophistication
- Made and Engineered in Belgium
- Guaranteed Top Quality!

Royal Victorian Orangerie

- Classic English greenhouse with 4mm glass glazing.
- A thick and strong aluminum frame made coverage better.
- Wind Resistant up to 120 mph. Due to 3-second gusts
- 25PSF ground snow load
- 9' tall design provides you better gardening or leisure experience of the greenhouse
- Roof ridge adds a touch o English sophistication
- Made and Engineered in Belgium - Guaranteed Top Quality!



Royal Victorian Orangerie
16X9X13.ft

ROYAL VICTORIAN BY JANSSENS



Royal Victorian VI34 10X9X15.ft



Royal Victorian VI36 10X9X20.ft



Royal. Victorian VI46 12X9X19.ft

- Classic English greenhouse with 2 options of glazing with great insulation.
- Thick and strong aluminum frame. The Decorative roof ridge adds a touch of English sophistication.
- Wind Resistant up to 120 mph. Due to 3-second gusts
- 25PSF ground snow load
- 9' tall design provides you better gardening or leisure experience with the greenhouse
- Roof ridge adds a touch o English sophistication
- Made and Engineered in Belgium - Guaranteed Top Quality!

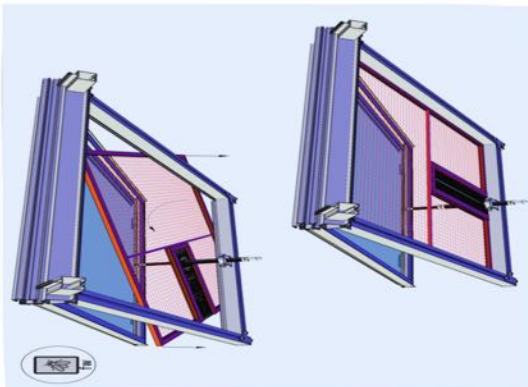
JANSSENS GREENHOUSE ACCESSORIES



Roof Window

With glass underneath for Royal Victorian Greenhouses

- Not include panels.
- Dark Green
- Auto-Opener is available (See below)
- 1 Bundle -3 Sets



Fly Screen Cover for Roof Window
Mounted underneath roof window. Includes a slot/brush "seal" opening for the window opening device'

- Black Color



T-Bolt

20 Stainless Steel hammerhead bolts and nuts - can be inserted in the channels in any of the aluminum frame profiles - turned 90° - these to attach accessories such as shelving later.



Automatic Roof Window Opener

For Royal or Junior Victorian Greenhouses: the black tube is filled with special paraffin oil - which expands when the temperature reached around 72° and the piston will push the window open up to about 14". When the temperature falls a heavy spring pulls the window closed. No electricity is needed!

For Royal or Junior Victorian Greenhouses: the black tube is filled with special paraffin oil - which expands when the temperature reached around 72° and the piston will push the window open up to about 14". When the temperature falls a heavy spring pulls the window closed. No electricity is needed!

- Full Automatic
- Black Color
- Opens to approx. 14"



Spindle Opener

A manual opener that works like a large threaded screw - for Royal or Junior Victorians (please note if the long handle is needed)

- Stainless Color
- Manual operation

JANSSENS GREENHOUSE ACCESSORIES



Seed Tray of Royal Victorian™
Greenhouse

1 seed-tray shelf 19'10" L x 20" W x 4" D
- bottom is made of corrugated plastic interlocking insert.

Size and Colors are same with Top Shelf



Top Shelf of Royal Victorian™
Greenhouse

Looking for the side storage of your Janssens Victorian Greenhouse? This narrow top shelf is good for your plants and things.

- Full-Length Shelving
- Strong and Durable
- Multiple Sile Available

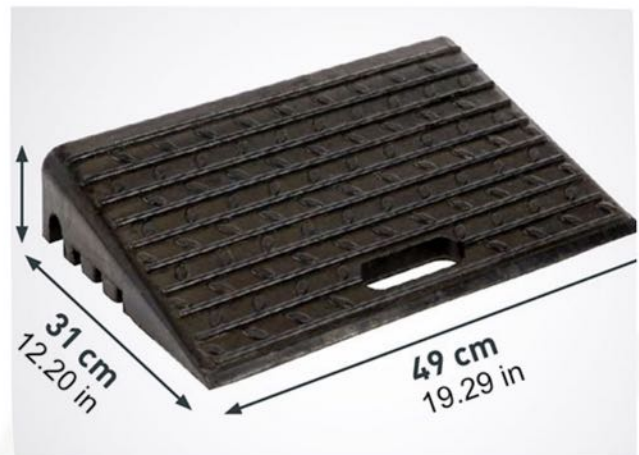
Sizes	Colors Option
VI23 10ft.	Black and Dark Green
VI34 15ft.	
VI36 /46 20ft.	



Shade Curtain for Janssens Victorian
Greenhouse

Full length shade curtains sized specifically for your model Victorian Greenhouse, with built-in loops for hanging with included hardware

Orangerie including: 1 center section and 3 end sections



Wheelbarrow Ramp for Greenhouse

Creates easy entry ramp into the greenhouse for a wheelbarrow.

JANSSENS GREENHOUSE ACCESSORIES



Victorian Greenhouse Slat Shelving System

Increasing room and storage area for pots and planters in your Victorian or RIGA greenhouse by an extra shelving system. There are two kinds of models: 2-Slats and 5-Slats.

- Heavy-Duty Materials and Construction
- Work with Victorian and RIGA greenhouse
- 2 Models can choose
- Black or Green
- 2-Slat: 9"W X 59" L. Carry: 25 Lbs totally
- 5-Slat: 21" W X 59" L. Carry: 60 Lbs totally



Fly Screen Cover for Louvre Window

- Mounted on the outside wall of the greenhouse.



Louvre Window

The window features 11 glass panels and an extra glass piece underneath the window - for Royal or Junior Victorian Greenhouses.

- Manual Operation
- Black Color
- Automatic opener same as Riga accessories

JANSSENS GREENHOUSE ACCESSORIES

Victorian Greenhouse Drop-Door Kit

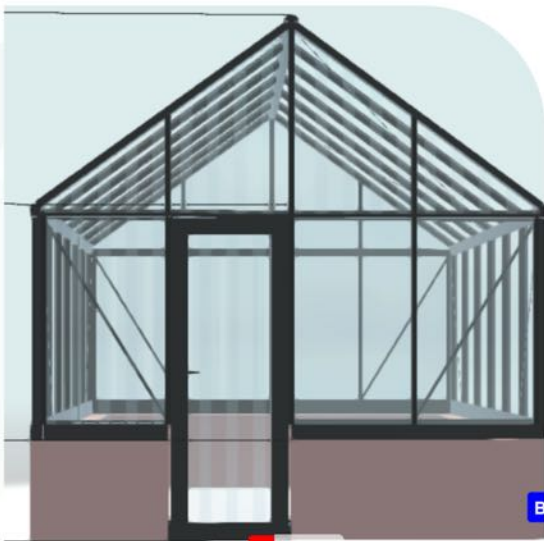
This extension door kit allows a standard Royal Victorian greenhouse to be placed on top of a perimeter wall - usually 20" - 36" high (24" might be best).

Please tell us exactly how high you want your wall to be, we can cut parts to the exact size.

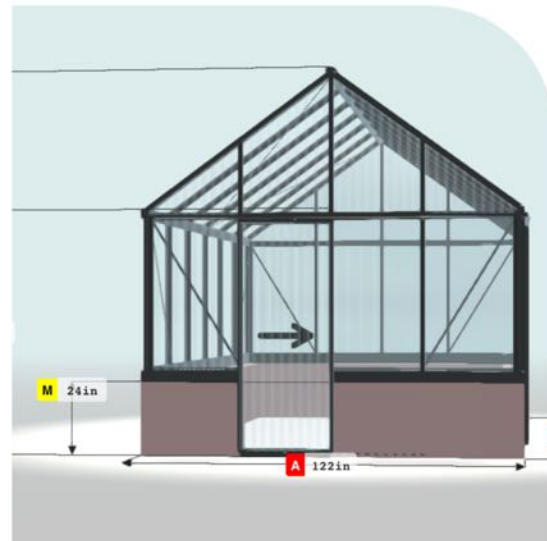
WHAT IS INCLUDED

1 Bundle -3 Sets

This Kit does not include the new glass panels needed above the doors.



Drop-Door Kit for Hinged Door Type



Drop-Door Kit for Sliding Door Type

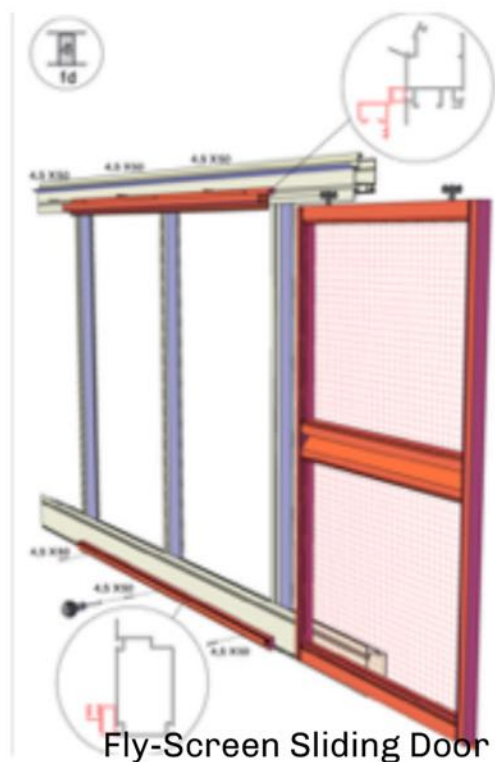


JANSSENS GREENHOUSE ACCESSORIES



Fly-Screen Door

Mounted on the inside wall of the greenhouse. Note: Black or Green Unit is factory pre-assembled - therefore very hard & expensive to ship as an individual item - should only be bought with a green



Fly-Screen Sliding Door

Extra Single Sliding Door

- Set up an extra sliding door for your Victorian greenhouse as double entrances.
- You can also customize to double sliding door.



Push open side window

Hinged at the top with a handle. Note: this requires the customer to also buy a new piece of glass to go under the window. The price includes the glass. If the customer wants to buy their own glass for underneath we can reduce cost by \$50



Fly Screen Cover for Side Window

- Mounted on the inside of the greenhouse. Includes a slot/brush "seal" opening for window opening device. Factory assembled - only need to insert.

MONT LARGE ENTRANCE GREENHOUSE BY RIVERSTONE



This is the cost-effective model of MONT™ greenhouse which can meet your major regular gardening need. Not all greenhouses are built the same and the MONT™ line of greenhouses by Riverstone Industries proves this to be true.

- High Impact Uv Stable 8mm Twin Wall Polycarbonate Walls and Roof,
- Heavy-duty extruded aluminum frame construction
- Black electrostatically painted frame
- 2-2ft x 2ft roof vents with automatic openers, Integrated dual rainwater gutter system
- Large 48in x 72in wide door opening, Hinged Lockable Double Doors, New Patent Pending Twist & Lock single bolt.
- EASY assembly construction, Integrated flush base design
- Accessories available separately (not included in this package) shade clothes, watering systems, potting sinks, & shelving kits
- Can add 2nd door.



MONT Large Entrance 8x8x8ft.



MONT Large Entrance 8x8x12ft.



MONT Large Entrance 8x8x16ft.



MONT Large Entrance 8x8x20ft.



MONT Large Entrance 8x8x24ft.

MONT GROWER GREENHOUSE BY RIVERSTONE

This is the cost-effective model of MONT™ greenhouse which can meet your major regular gardening need. Not all greenhouses are built the same and the MONT™ line of greenhouses by Riverstone Industries proves this to be true.

Grower Package Include

- Greenhouse
- Privacy Design (Light-Diffusing Panel)
- Electric Ventilation System (No Thermostat)
- Commercial Folding Workbench
- 1700 BTU Electric Heating System with Thermostat
- Drip Irrigation System with Timer



MONT Grower 8x8x8ft.



MONT Grower 8x8x12ft.



MONT Grower 8x8x16ft.



MONT Grower 8x8x20ft.



MONT Grower 8x8x24ft.

MONT MOJAVE GREENHOUSE BY RIVERSTONE

This is the cost-effective model of MONT™ greenhouse which can meet your major regular gardening need. Not all greenhouses are built the same and the MONT™ line of greenhouses by Riverstone Industries proves this to be true.

- High Impact Uv Stable 8mm Twin Wall Polycarbonate Walls and Roof,
- Heavy-duty extruded aluminum frame construction
- Black electrostatically painted frame
- 2-2ft x 2ft roof vents with automatic openers, Integrated dual rainwater gutter system
- Large 48in x 72in wide door opening, Hinged Lockable Double Doors, New Patent Pending Twist & Lock single bolt.
- EASY assembly construction, Integrated flush base design
- Accessories available separately (not included in this package) shade clothes, watering systems, potting sinks, & shelving kits
- Can add 2nd door.

Mojave Package Include

- Greenhouse
- Programmed Watering System
- Sink System
- Solar Ventilation System
- Solid Tinted Roof Panel
- Commercial Folding Workbench
- Pollinator System



MONT Mojave 8x8x12ft.



MONT Mojave 8x8x16ft.



MONT Mojave 8x8x20ft.



MONT Mojave 8x8x24ft.

MONT MOHEAT GREENHOUSE BY RIVERSTONE

This is the cost-effective model of MONT™ greenhouse which can meet your major regular gardening need. Not all greenhouses are built the same and the MONT™ line of greenhouses by Riverstone Industries proves this to be true.

- High Impact Uv Stable 8mm Twin Wall Polycarbonate Walls and Roof,
- Heavy-duty extruded aluminum frame construction
- Black electrostatically painted frame
- 2-2ft x 2ft roof vents with automatic openers, Integrated dual rainwater gutter system
- Large 48in x 72in wide door opening, Hinged Lockable Double Doors, New Patent Pending Twist & Lock single bolt.
- EASY assembly construction, Integrated flush base design
- Accessories available separately (not included in this package) shade clothes, watering systems, potting sinks, & shelving kits
- Can add 2nd door.

Moheat Package Include

- Greenhouse
- Programmed Watering System
- Sink System
- Solid Tinted Roof Panel
- Pollinator System
- Commercial Folding Workbench
- RSI Heating Propane Gas System



MONT Moheat 8x8x12ft.



MONT Moheat 8x8x16ft.



MONT Moheat 8x8x20ft.



MONT Moheat 8x8x24ft.

EDUCATIONAL GREENHOUSE BY RIVERSTONE

The Educational Greenhouse Package is perfect for schools, correctional institutions, and serious gardeners. With a durable steel frame and commercial-grade covering, our greenhouses have a long-lasting lifespan. Our comprehensive package includes all necessary accessories and assembly manual and support.



- 2x 24-inch motorized shutters for airflow control
- 1x 18-inch industrial exhaust fan for ventilation
- 2x 3 ft. deep, 24 ft-long commercial workbenches for gardening
- 1x two-stage commercial thermostat to control fan and shutters
- 1x FSA-30: 30,000 BTU LP high-efficiency gas heater for heating
- 1x 3-inch vent pipe kit for LP gas heater
- 1x single-stage thermostat for the heater
- 1x 26ft x 26ft shade cloth with tie-down rope for sun protection
- 1x automatic and programmable watering system with timer for irrigation
- 1x lockable French glass security steel door (42in wide x 84in high) for security.
- Please note that the stem wall is not supported by the manufacturer.

Model and Sizes Available

- RSI Wallace
 - 16x11.5x24ft
 - 16x11x30ft
- RSI Thoreau
 - 12x9.5x18ft
 - 12x9.5x24ft
- RSI Carver
 - 12x11.5x18ft
 - 12x11.5x24ft
- RSI Jefferson
 - 16x9.5x24ft
 - 16x9.5x30ft

EDUCATIONAL GREENHOUSE RIVERSTONE

The Carver Educational Greenhouse Package is a budget-friendly option for schools, correctional institutions, and serious gardeners. It features a galvanized steel frame for easy assembly and poly sheeting for the walls and roof, which is guaranteed for 4 years. The greenhouse is designed to accommodate large numbers of people and provide a secure, climate-controlled environment. Our team is available to assist with assembly and answer any question

- **Sizes Available**

- 10x8x16ft
- 10x8x27ft



- 6mm Polyfilm Wall
- 1.7in galvanized base rail and framing system
- 36in wide x 6.8ft tall insulated metal security door with built-in shutter, lock, and key for added security
- 1x 27ft roll-up curtain system for greenhouse ventilation
- 1x 18-inch Quietaire industrial exhaust fan for proper air circulation
- 2x 2ft deep 27ft long commercial workbenches for planting and storage
- 1x 240 volt electric heater to regulate temperature
- 1x 15ft x 29ft (63%) shade cloth with tie-down rope to regulate light
- 1x automatic and programmable watering system with timer for easy maintenance
- 1x3-inch poly repair tape for any repair needs
- Please note that the stem wall is not supported by the manufacturer.

SOLEXX GREENHOUSE COVERING PANEL



Strong and shatter-proof, double-walled Solexx greenhouse coverings protect your seedlings and plants from strong winds, hail, snow, and other harsh weather conditions season after season. Mold and mildew will not grow on the plastic's smooth surface so, years later, your greenhouse will look like it did when you first built it. The insulated greenhouse covering lets your garden all year in most climates.

Cut the continuous twin-wall covering to the precise length you need for fewer seams and to eliminate waste. The flutes run the length of the material for superior strength.



3.5mm is best for endwalls and structures 2' on center or 4' on center with bracing. And for the middle to the southern part area.



5mm Solexx Pro is suitable for all application and best for cold climate area.

FEATURE

- Diffuses the light, so there are no shadows or hot spots
- Provides the optimal amount of light plants need to thrive
- Insulated to hold in heat, 2.1 R-Value
- Extremely strong in wind and snow to protect your sensitive plants
- Won't scratch, tear or turn yellow with age
- Solexx™ is flexible and can wrap over peaks and around corners with one continuous panel, no joint, no opportunity for a leak in the future.
- Super easy to install
- 10-year limited UV warranty

SOLEXX COVERING PANEL ACCESSORIES



Solexx® 4' H-Channel (Set of 10)
The H Channel will help you to prevent leaks between two panels.



Solexx® 4' H-Channel Clip Joiner (Set Of 5)
H-Channel clips are used to join 4' H-Channel pieces together. Approx. 2 1/4" x 6".



49" U-Trim (Set of 10)
Flexible plastic U-Trim edging caps off and protects the open flutes of the panels. Apply in combination with silicone caulking for optimum insulation and to keep out dirt, bugs and moisture.



Clear Silicone Caulking 10.1 fl oz
Apply silicone caulking to the open flutes of the Solexx panels to seal from moisture and bugs. Clear silicone caulking tube. 10.1 fl oz. and covers/fills approximately 32 linear feet.



- Solexx 1" Wood Screws 100 ct
- Solexx 1" Self-Tapping Screws 100 ct

EARLY BLOOMER SOLEXX GREENHOUSES



Early Bloomer Greenhouse is a functional, affordable starter greenhouse kit for anyone. A great all-around hobby greenhouse ideal for tall plants or small trees – the 6'3" height gives you plenty of room to grow your prized plants.

The extremely strong base along with the Solexx corrugated plastic greenhouse covering makes it sturdy enough to withstand powerful winds. A large 19" x 30" greenhouse vent assembly is included to maintain plenty of air circulation for healthy plants.

Early Bloomer Feature

- Heavy-duty composite frame - rust, corrosion, and mildew free
- New stronger and lockable door
- 2 full-length hanging rods, holds 200 lbs each
- Sturdy, built-in base, requires no foundation
- Easy-to-assemble steel fittings
- 3.5mm Twin-wall Solexx (high-density Polyethylene). Upgrade to 5mm for heavy snow high altitude areas
- Wind Resistance: 75 MPH
- Snow Load Rate: Snow frequently just slides off

GARDENER'S OASIS BY SOLEXX

This is our most popular greenhouse for a reason. You'll have a maximum growing area with two double-tiered, built-in bench frames providing you over 76 sq. ft. of bench area in the 8' x 8' unit for hours of year-round gardening pleasure – and you'll love the 8 ft. height!

All Gardener's Oasis Greenhouse Kits come standard with a large louvered air vent and are covered with advanced double-walled Solexx™ paneling. The Oasis, like all other Solexx kits, is expandable, so if you outgrow your greenhouse you can easily expand it later.



Sizes Available

- 8x8x8 ft.
- 8x8x12 ft.
- 8x8x16 ft.
- 8x8x24 ft.

FEATURE

- Heavy-duty composite frame - rust, corrosion, and mildew free
- New stronger and lockable door
- 2 full-length hanging rods, hold 200 lbs each
- 2 double-tiered bench frames, full length, 29" deep, hold 500 lbs
- Sturdy, built-in base, requires no foundation
- Large Easy Flow Louver air vent
- Wind Resistance: 75 MPH
- Snow Load Rate: Snow frequently just slides off

GARDEN MASTER BY SOLEXX

A gardener's delight or the hobbyist's dream. This spacious, European-style greenhouse kit has 6'6" tall outer walls and a gable that peaks at 8'9" for ample room to trellis plants like cucumber, cantaloupe and tomatoes

With four bench frames each able to support 500 lbs. of distributed weight and two hanging rods, you will be amazed at how much room you have to nurture and grow all your favorite flowers, herbs and vegetables. Like all Solexx greenhouse structures, the Garden Master is freestanding and requires no special foundation or site preparation – just level the ground beneath it.



Sizes Available

- 8x8x8 ft.
- 8x8x12 ft.
- 8x8x16 ft.
- 8x8x24 ft.

Available Option

- Deluxe
- Basic

Panel Thickness Option

- 3.5mm 49.5"W
- 5mm 50.5"W

FFEATURE

- Heavy-duty composite frame - rust, corrosion, and mildew free
- New stronger and lockable door
- 2 double-tiered bench frames, full length, 29" deep, hold 500 lbs
- No Foundation Needed
- 2 full-length hanging rods, holds 200 lbs each
- Sturdy, built-in base, requires no foundation
- 1 Large Easy Flow Louver air vents
- Easy-to-assemble steel fittings
- Wind Resistance: 75 MPH
- Snow Load Rate: Snow frequently just slides off

HARVESTER LEAN-TO BY SOLEXX

The Harvester Greenhouse is designed to hug the side of your house, garage, deck, or stand alone – anywhere that's convenient for you! This greenhouse kit is completely enclosed for maximum strength, insulation, and solar heat collection for year round use – whether you're starting your spring flowers, summer vegetables or storing plants for the winter.



Sizes Available

- 8x8x8 ft.
- 8x8x12 ft.
- 8x8x16 ft.
- 8x8x24 ft.

Available Option

- Deluxe
- Basic

Panel Thickness Option

- 3.5mm 49.5"W
- 5mm 50.5"W

FEATURE

- Heavy-duty composite frame - rust, corrosion, and mildew free
- New stronger and lockable door
- 1 double-tiered and 1 single-tiered bench frames, full length, 29" deep, hold 500 lbs.
- 2 full-length hanging rods, holds 200 lbs.
- Sturdy, built-in base requires no foundation.
- Easy-to-assemble steel fittings.
- Wind Resistance: 75 MPH
- Snow Load Rate: Snow frequently just slides off.

EDUCATIONAL GREENHOUSE BY SOLEXX

Conservatory Greenhouses are our largest and most spacious greenhouse kits, and popular with commercial nurseries and schools. With the tall 9'6" height of the greenhouse, seedlings to large plants and even small trees can easily be grown. Two single-tier, side benches run the length of the outer walls and a large 5' wide, double-tiered, bench frame sits in the center of the greenhouse structure with ample growing area.



The basic 8' x 16' x 9' 6" model gives you over 110 sq. ft. of greenhouse bench surface plus about 30 linear feet of hanging rods for baskets and trailing plants.

FEATURE

- Heavy-duty composite frame - rust, corrosion, and mildew free
- New stronger and lockable door
- 2 side bench frames, full length, 29" deep, hold 500 lbs
- Two-tiered 58" x 94" bench frame(s) in the center of the greenhouse (accessible from both sides)
- 4 full-length hanging rods, holds 200 lbs each
- Sturdy, built-in base, requires no foundation
- 2 Large Easy Flow Louver air vents
- Easy-to-assemble steel fittings
- Wind Resistance: 75 MPH
- Snow Load Rate: Snow frequently just slides off

EDUCATIONAL GREENHOUSE BY SOLEXX



Two doors allow easy access to the entire growing area. With the 16' x 16' x 9' 6" model you get more than 220 sq. ft. of bench area and 60 linear feet of hanging rods. We also include four door assemblies so you can access plants from either end of your greenhouse.

FEATURE

- Heavy-duty composite frame - rust, corrosion, and mildew free
- New stronger and lockable door
- 2 side bench frames, full length, 29" deep, hold 500 lbs
- Two-tiered 58" x 94" bench frame(s) in the center of the greenhouse (accessible from both sides)
- 4 full-length hanging rods, holds 200 lbs each
- Sturdy, built-in base, requires no foundation
- 2 Large Easy Flow Louver air vents
- 4 doors in all larger unit
- Easy-to-assemble steel fittings
- Wind Resistance: 75 MPH
- Snow Load Rate: Snow frequently just slides off.

EDUCATIONAL GREENHOUSE BY SOLEXX



Two doors allow easy access to the entire growing area. With the 16' x 20' x 9' 6" model you get more than 240 sq. ft. of bench area and 60 linear feet of hanging rods. We also include four door assemblies so you can access plants from either end of your greenhouse.

FFEATURE

- Heavy-duty composite frame - rust, corrosion, and mildew free
- New stronger and lockable door
- 2 side bench frames, full length, 29" deep, hold 500 lbs
- Two-tiered 58" x 94" bench frame(s) in the center of the greenhouse (accessible from both sides)
- 4 full-length hanging rods, holds 200 lbs each
- Sturdy, built-in base, requires no foundation
- 2 Large Easy Flow Louver air vents
- 4 doors in all larger unit
- Easy-to-assemble steel fittings
- Wind Resistance: 75 MPH
- Snow Load Rate: Snow frequently just slides off

SOLEXX GREENHOUSE ACCESSORIES



Solexx Greenhouse Base Vents

ABS polymer 4" x 9" base vents allow fresh air to continually flow through your greenhouse. Mount a vent near the base in each corner for natural 'ground-up' cross ventilation. Close during colder weather to save heat. These vents are easy to install in your Solexx Greenhouse. Two base vents are recommended for every 4 feet of greenhouse length.

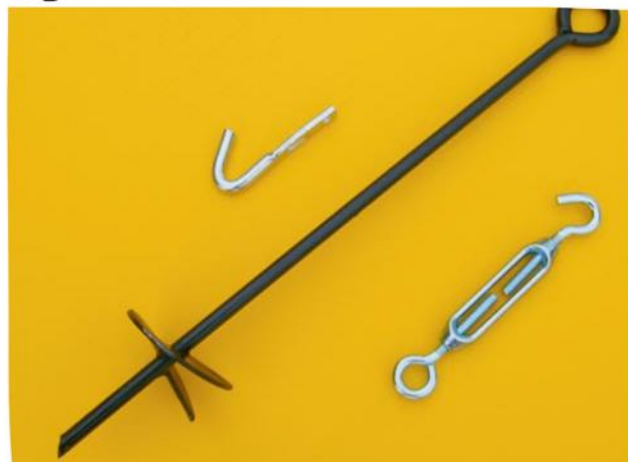


Solexx 8" Shelf Front Back Bench Frame Packages



Solexx Greenhouse Circulation Fan

Powerful, commercial-grade circulation fan. This energy-efficient fan is designed specifically for use in a greenhouse.

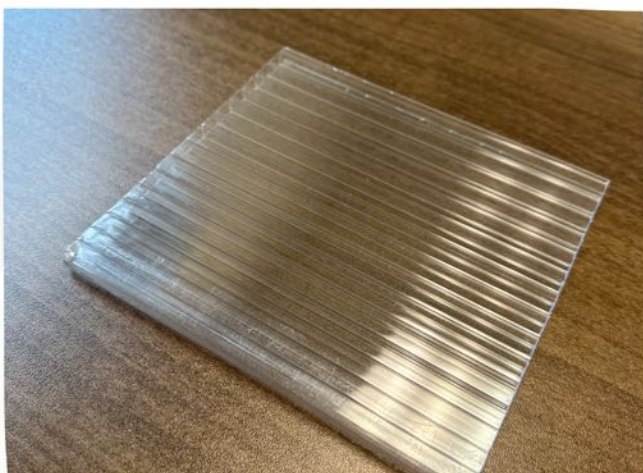


Keep your greenhouse safe and secure in strong wind with the easy-to-install kit. Twist the 14-1/2" tie-down anchors into the ground next to your greenhouse and attach the J-hook to the greenhouse frame. Turnbuckles connect the frame to the anchor. Easily disconnects should you want to move your greenhouse. Attach anchors every eight feet. 30" long anchors are available for large greenhouses or going into sandy soil ground.

8MM POLYCARBONATE SHEET BY SKYPOLY



Bronze



Clear



Ice White

8mm Greenhouse
Polycarbonate Sheets
4'x8'

8mm polycarbonate panels will help you get higher insulation and less heat loss.

Perfect for a DIY greenhouse or pergola.

FEATURE

- 8mm Double-Wall Polycarbonate Panels
- The size of each sheet is 4'W x 8'L (4 feet by 8 feet)
- The weight of each sheet is 4.32kg / 9.5lb
- UV-Protection
- 10 Year Warranty
- Available in 10, 30 and 50 packs

HERCULES COVER SYSTEM BY SKYPOLY

The Hercules is a standing seam system. The main idea for standing seam systems is that the fastener is hidden, whether the panel is attached to the roof deck using a clip or is directly fastened to the decking material under the vertical leg (fastener flange)

Full pergola roof covering system kit which includes panels, H-Channels, screws, and all parts you need. Not just the panel.



FEATURE

- 8mm Four-Wall Polycarbonate Panels included
- UV-Resistant
- Guaranteed not to leak at the connectors
- Lower temperatures up to 15 degrees
- Hail Resistant up to 3/4" will not penetrate the sheet
- Designed for wind speed up to 125 mph
- Snow load more than 40 PSF with the optimal slope and correct after spacing
- Comes with aluminum U-Profile
- No screws penetrate the sheet
- New patented design and sold to happy customers for over 6 years.

APPOLO COVER SYSTEM BY SKYPOLY

The Appolo system comes with sheets AND accessories to install the kit on your pergola. The 8mm polycarbonate sheets are UV protected on one side to protect you and your staff. This is a budget-friendly system kit which sold to happy customers for over 17 years.



FEATURE

- 8mm Four-Wall Polycarbonate Panels included
- UV-Resistant
- Guaranteed not to leak at the connectors
- Lower temperatures up to 15 degrees
- Hail Resistant up to 3/4" will not penetrate the sheet
- Designed for wind speed up to 125 mph
- Snow load more than 40 PSF with the optimal slope and correct after spacing
- Comes with aluminum U-Profile
- No screws penetrate the sheet
- New patented design and sold to happy customers for over 6 years.

All Featured Partnered Brands



More are coming



Thank you

Place Order: 832-363-8000

www.divetogarden.com

