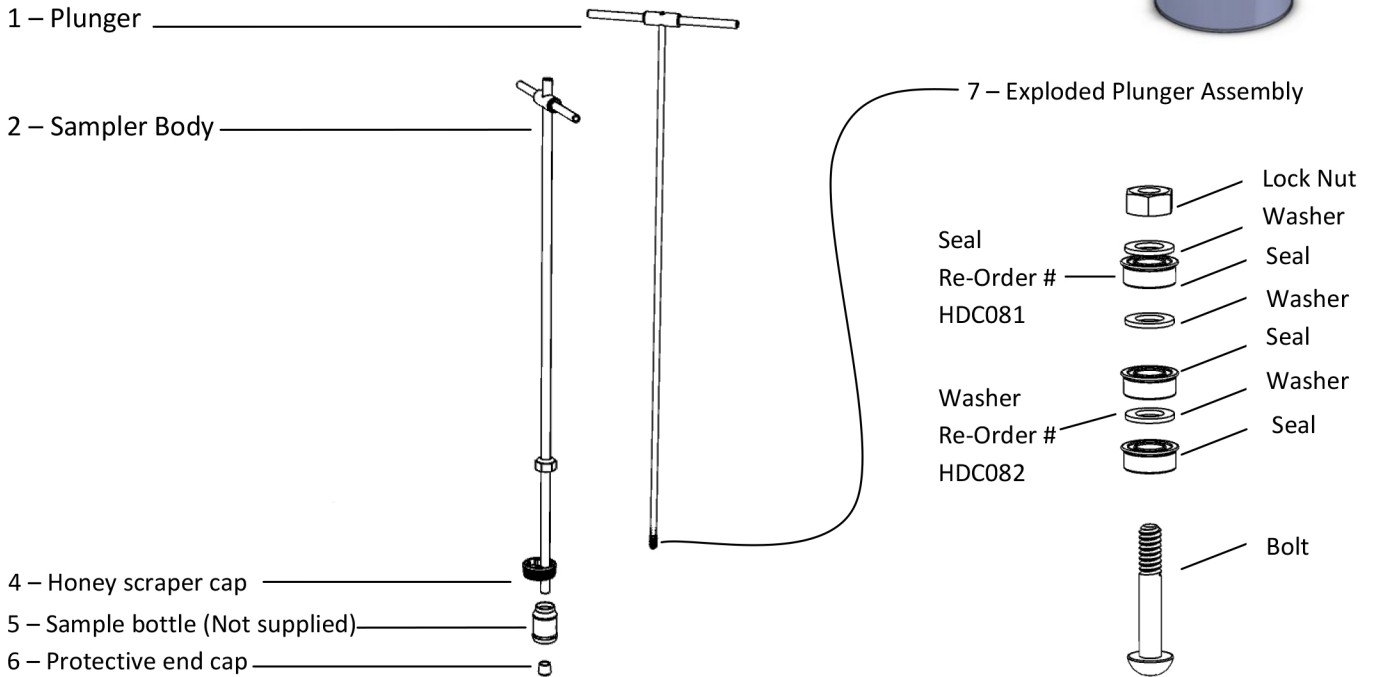




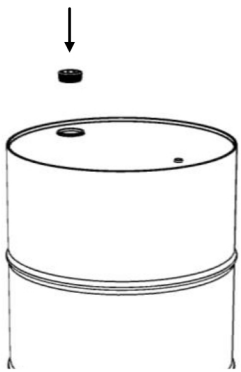
HIVE DOCTOR HONEY SAMPLER INSTRUCTIONS

HDK080

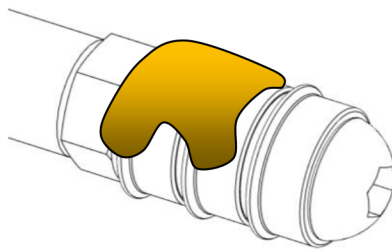


NOTE: Sampler body probe is very sharp! Ensure protective cap installed when sampler not use
All components made from food grade material

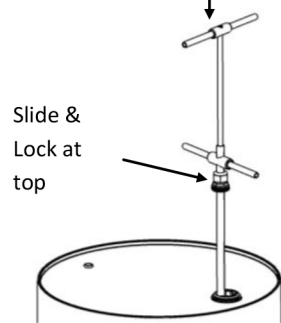
STEP 1. Screw honey scraper (4) into Drum



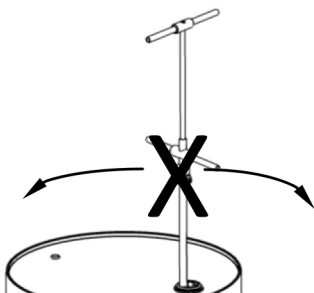
STEP 2. Smear a liberal amount of honey on the seal and insert into suction tube. NOTE: more honey more suction!



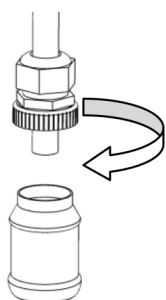
STEP 3. Insert sampler body into honey while pulling handle. This will create some suction



STEP 4. Do not apply a bending force to probe body. This may cause the sampler to bend!



STEP 5. Withdraw the sampler body and slide & lock lid holder (3) to the end of the sampler shaft. Tighten onto shaft



ADJUSTMENT: Suction strength can be adjusted by loosening the lock nut then turn bolt to apply more pressure to seals. Once completed re-tighten lock nut.

