



LUNARES OUTDOORS™  
SAN FRANCISCO



## PASSAGE PLANTER w/ RIM LARGE

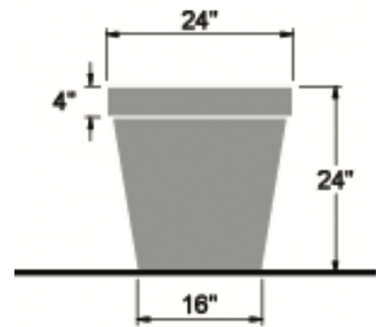
SKU #4032

**MATERIAL:** 100% Recycled Aluminum

### DRAINAGE:

- 3 holes - approx 1" diameter
- Custom size available to function with irrigation and draining

**FINISH:** Silver  
Additional finish colors available



Passage  
Planter w/ Rim,  
Large  
Sku#4032 p.13