



LUNARES OUTDOORS™  
SAN FRANCISCO



## NEST TILT PLANTER LARGE

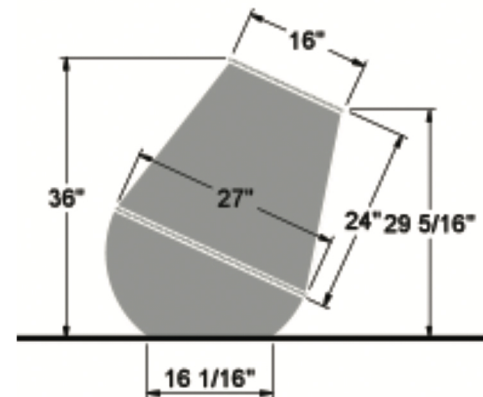
SKU #3032

**MATERIAL:** 100% Recycled Aluminum

### **DRAINAGE:**

- 3 holes - approx 1" diameter
- Custom size available to function with irrigation and draining

**FINISH:** Bronze  
Additional finish colors available



Nest  
Tilt Planter,  
Large  
Sku#3032 p.11