



LUNARES OUTDOORS™
SAN FRANCISCO



NEST TILT PLANTER SMALL

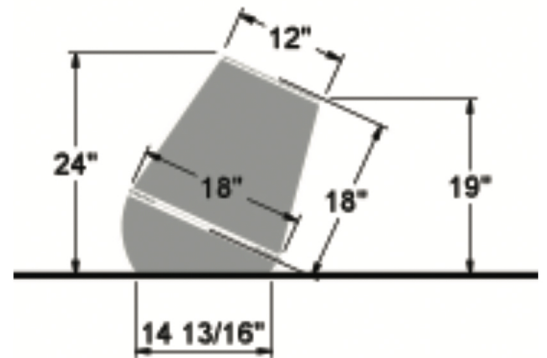
SKU #3031

MATERIAL: 100% Recycled Aluminum

DRAINAGE:

- 3 holes - approx 1" diameter
- Custom size available to function with irrigation and draining

FINISH: Bronze
Additional finish colors available



Nest
Tilt Planter,
Small
Sku#3031 p.11