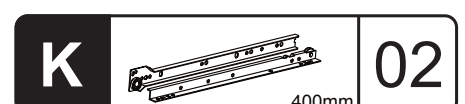
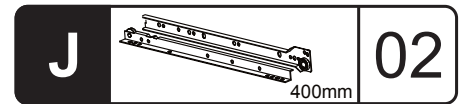
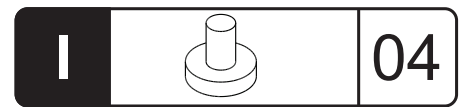
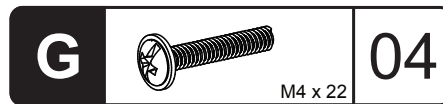
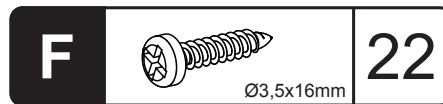
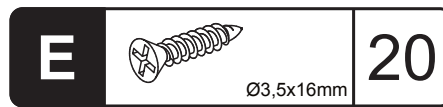
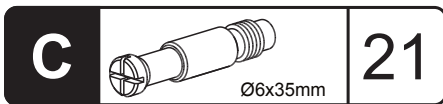
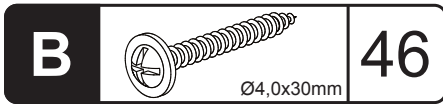
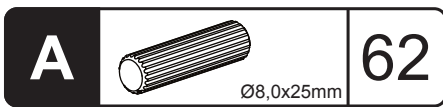
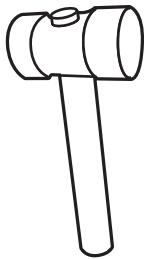
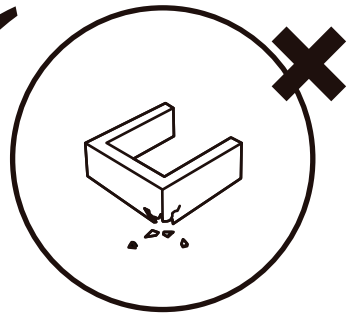
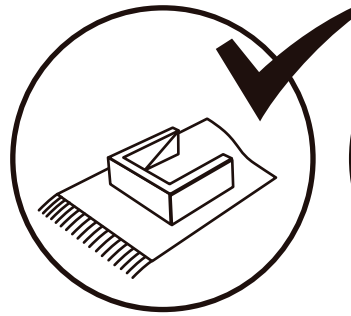
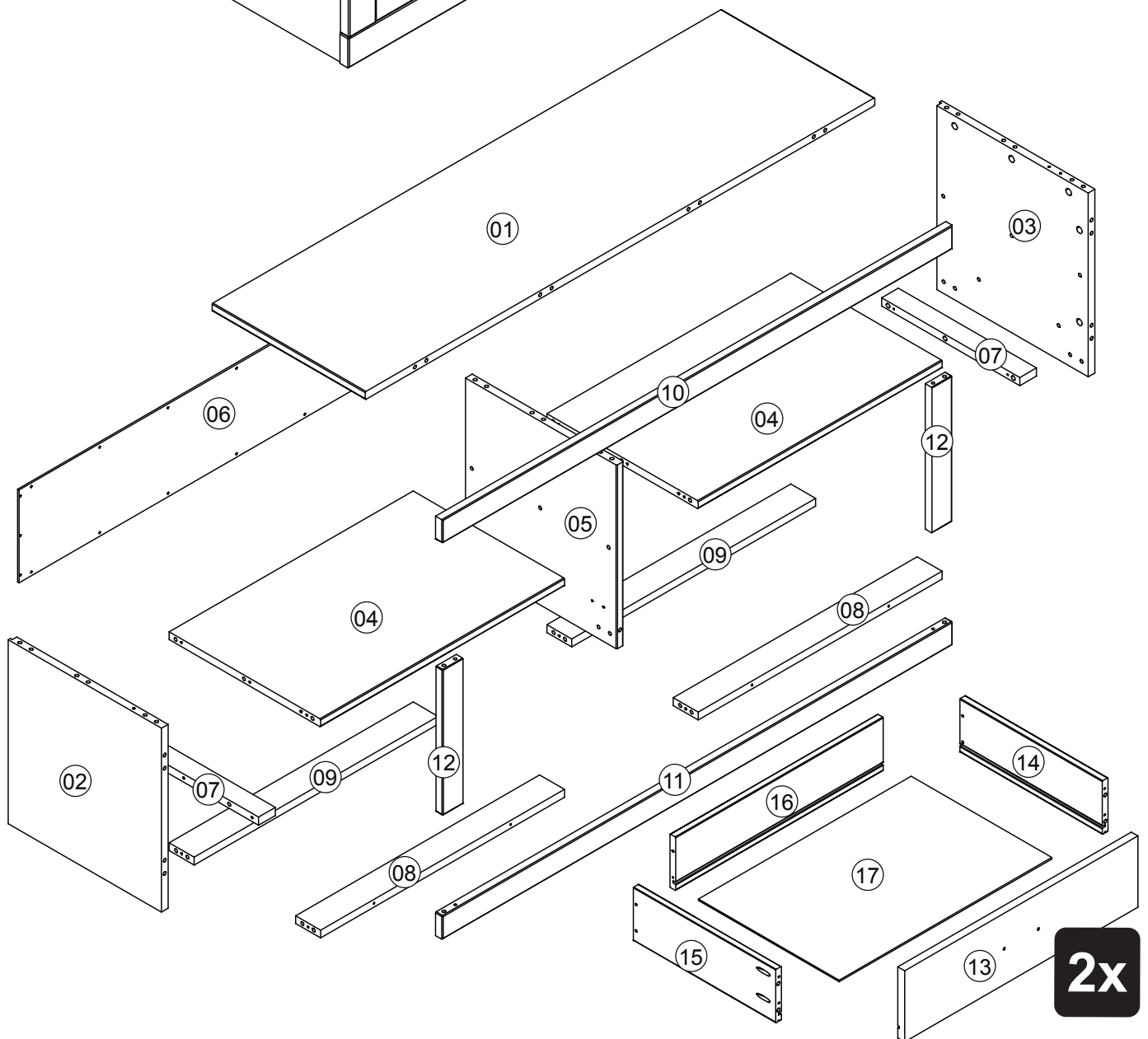
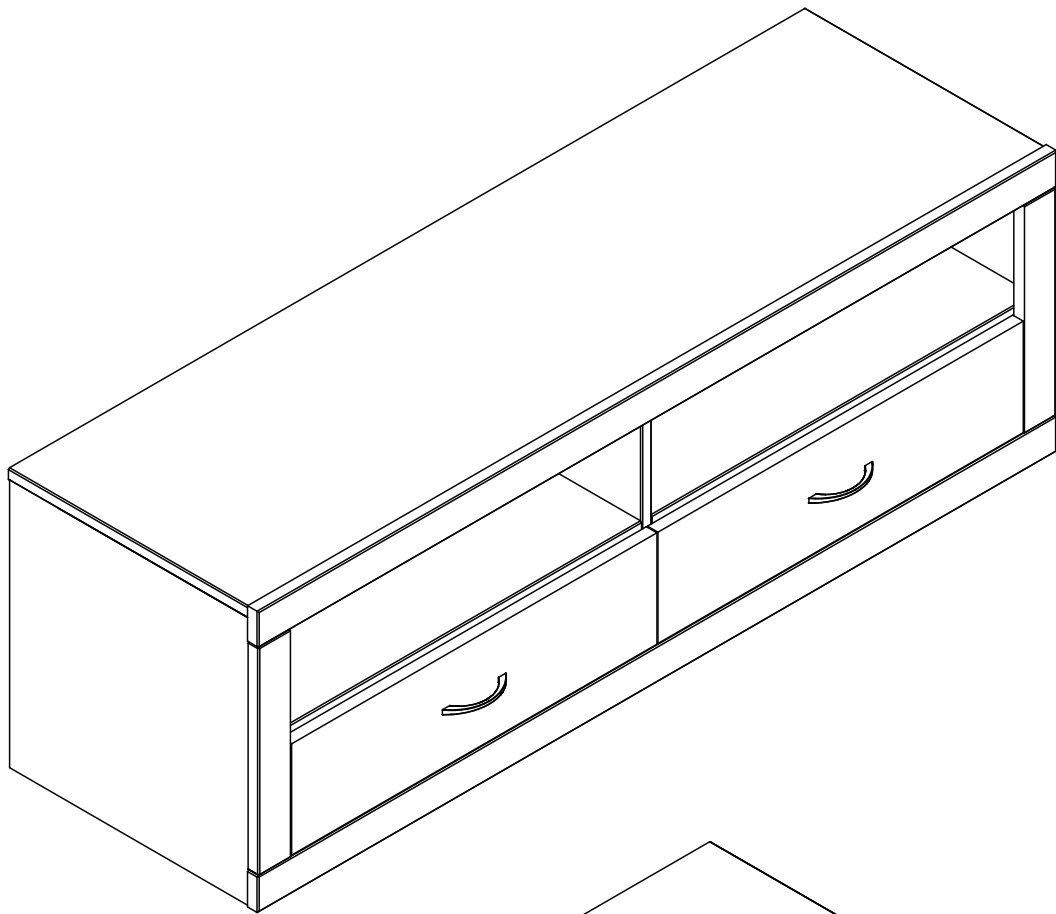
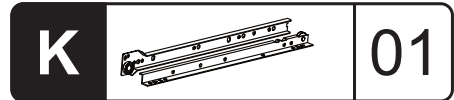
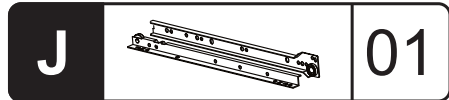
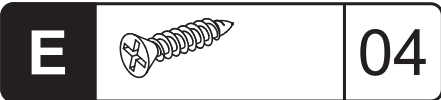
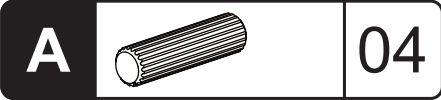
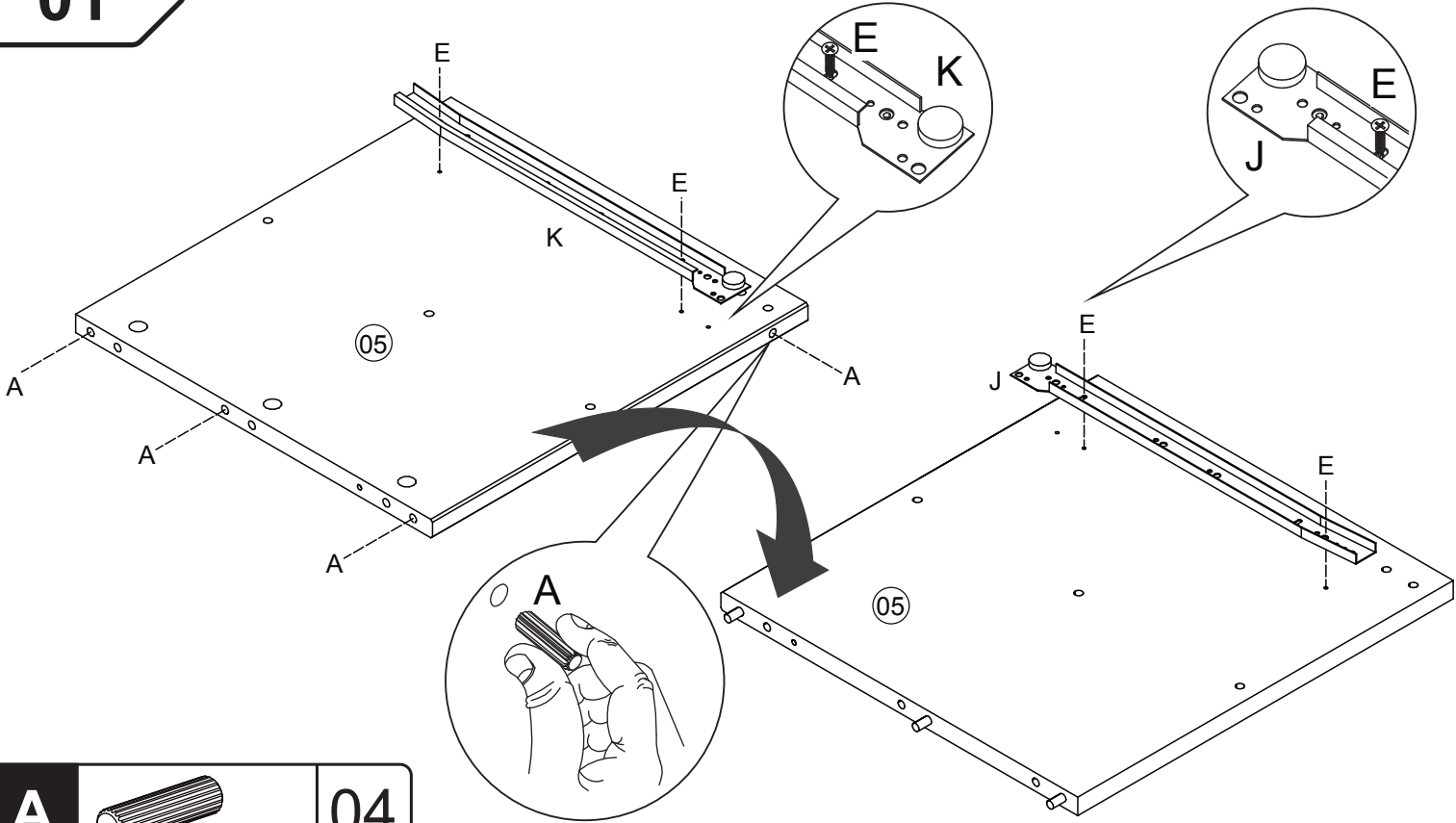


EURO

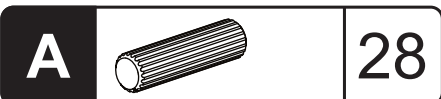
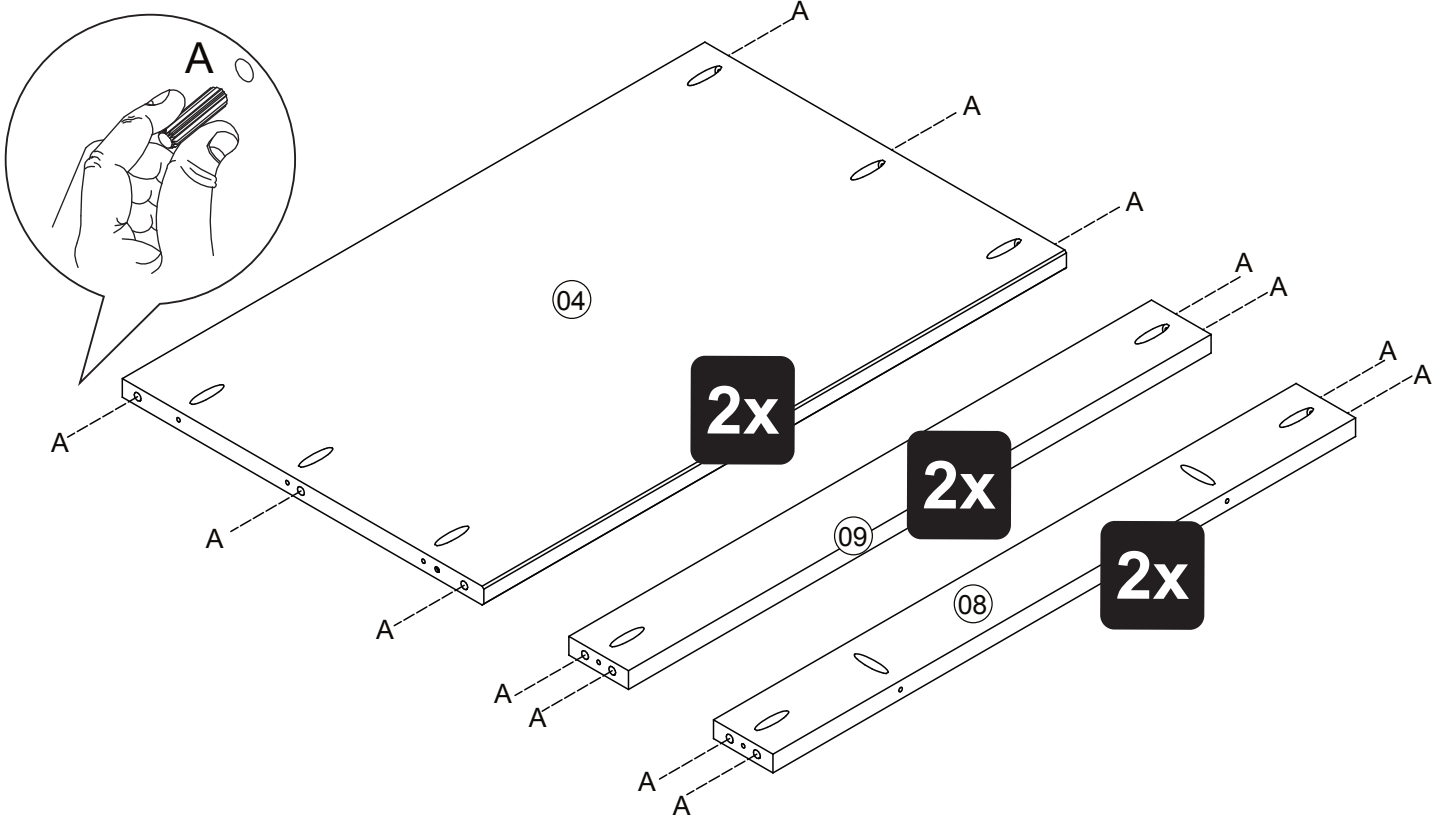




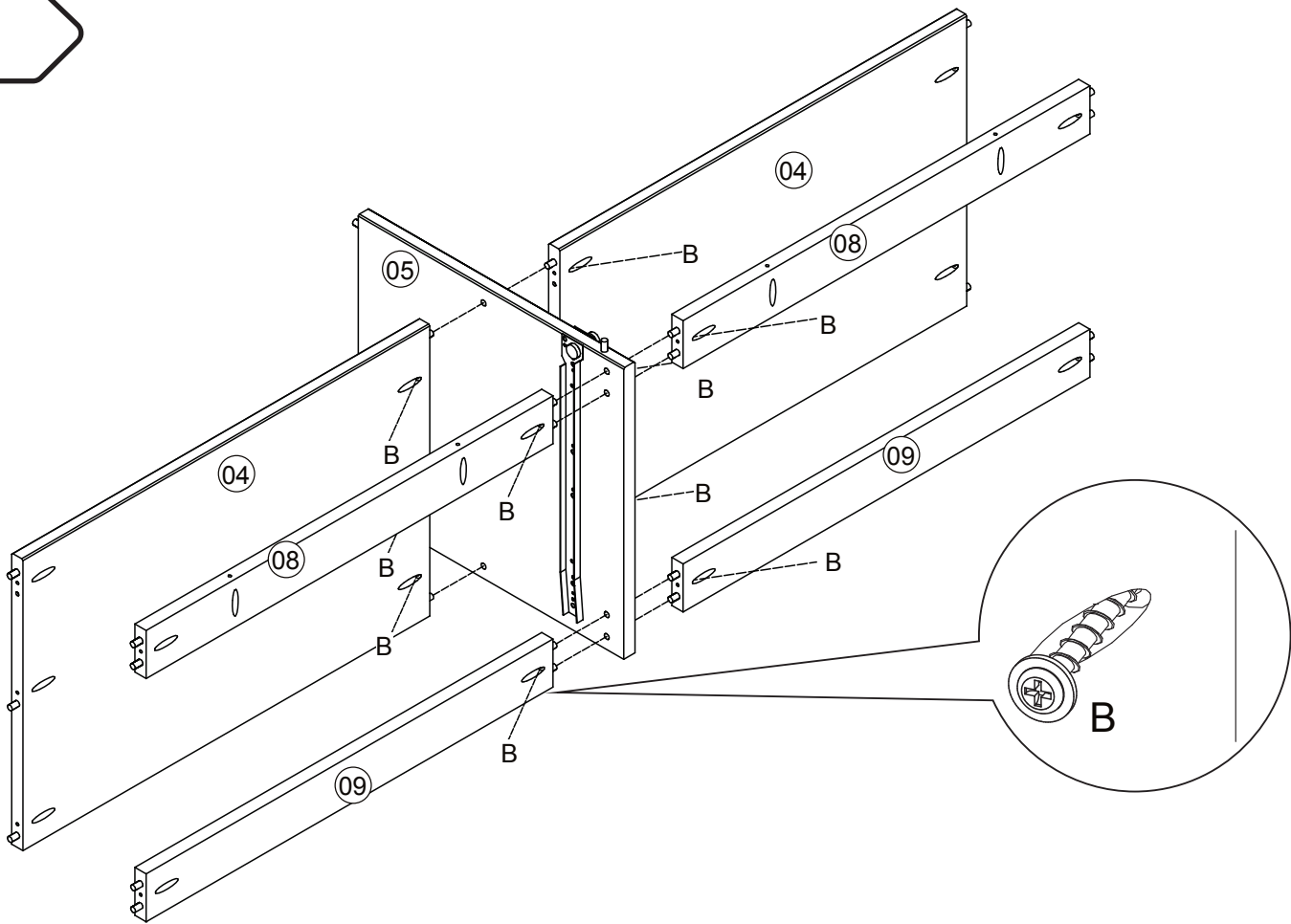
01

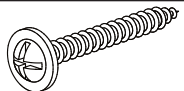


02

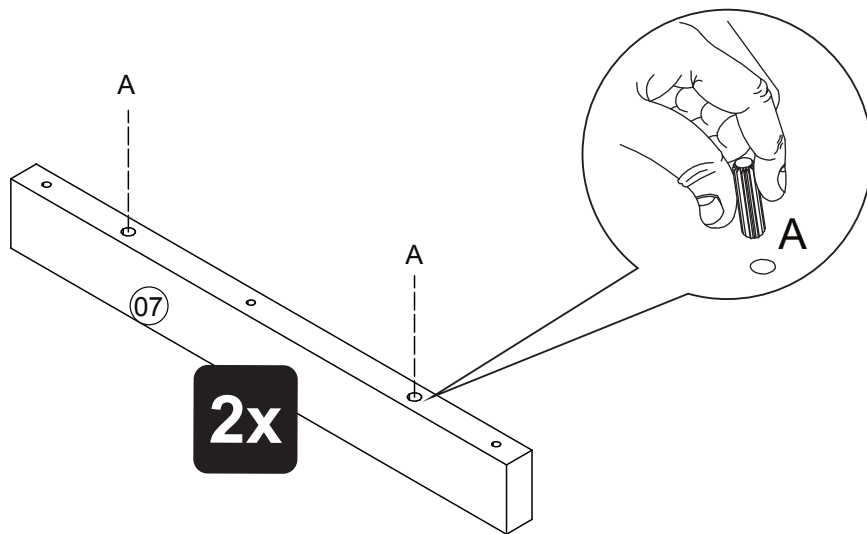


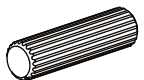
03



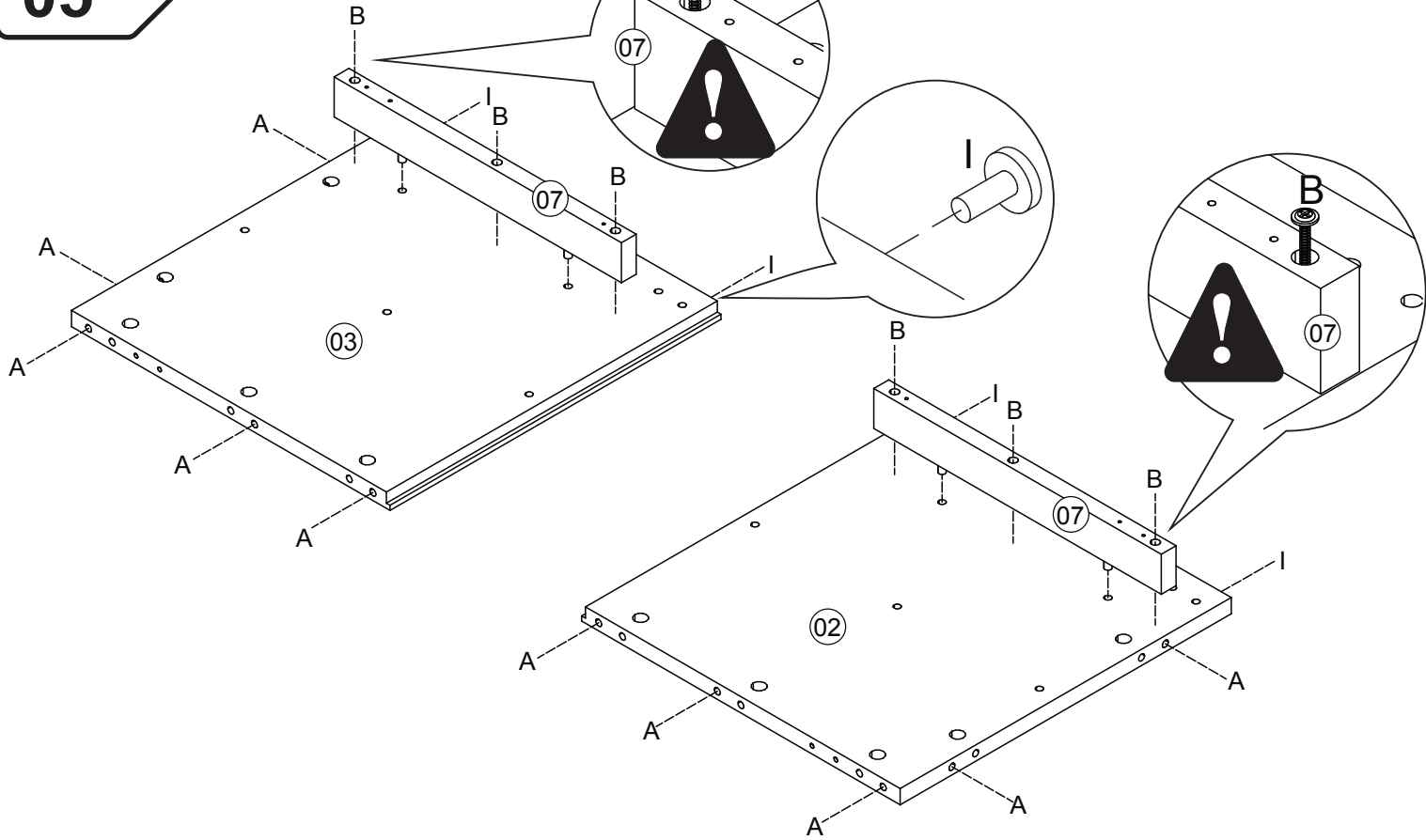
B		10
----------	---	----


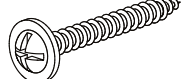
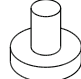
04



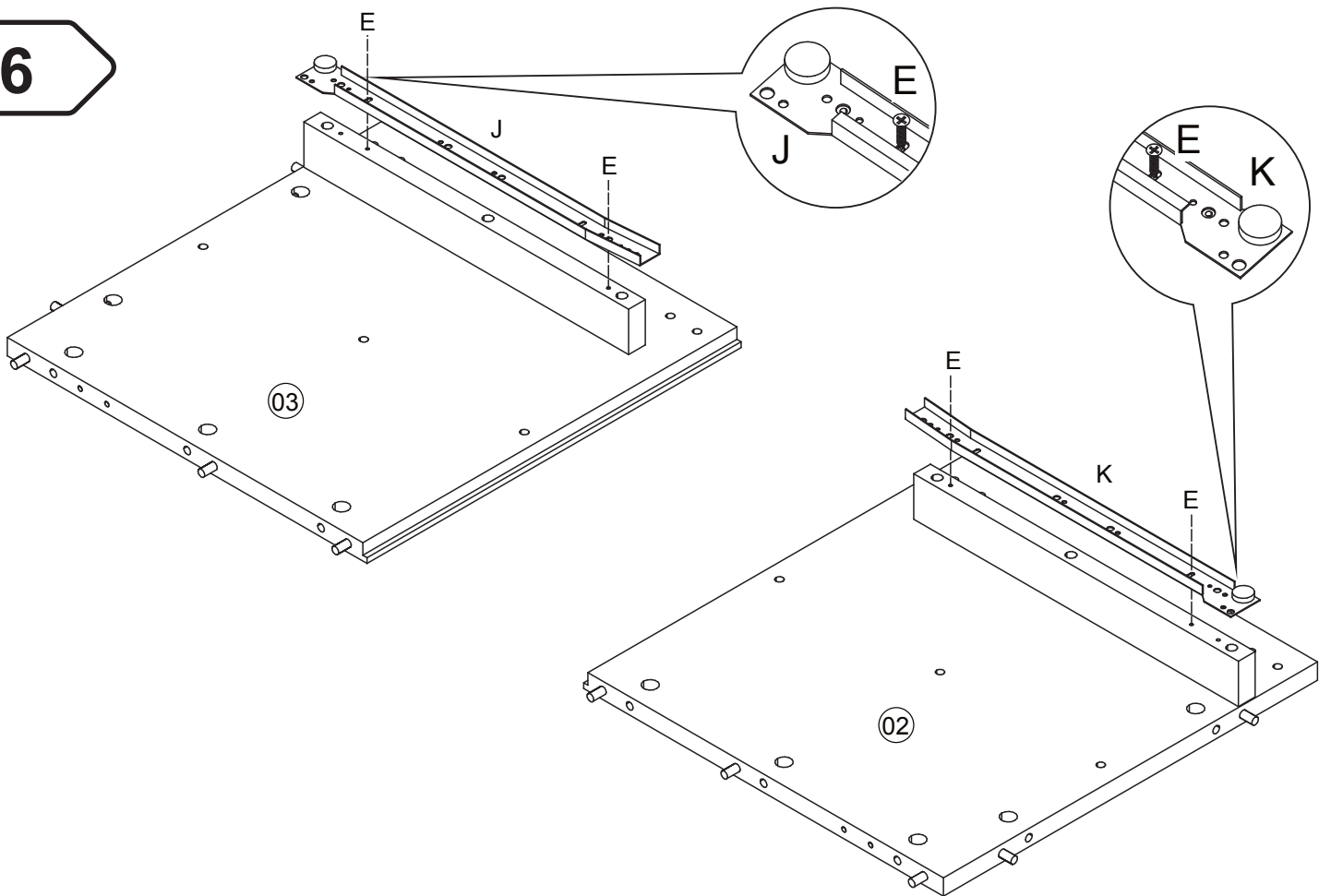
A		04
----------	---	----

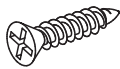
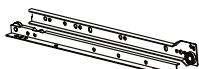
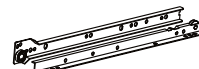
05



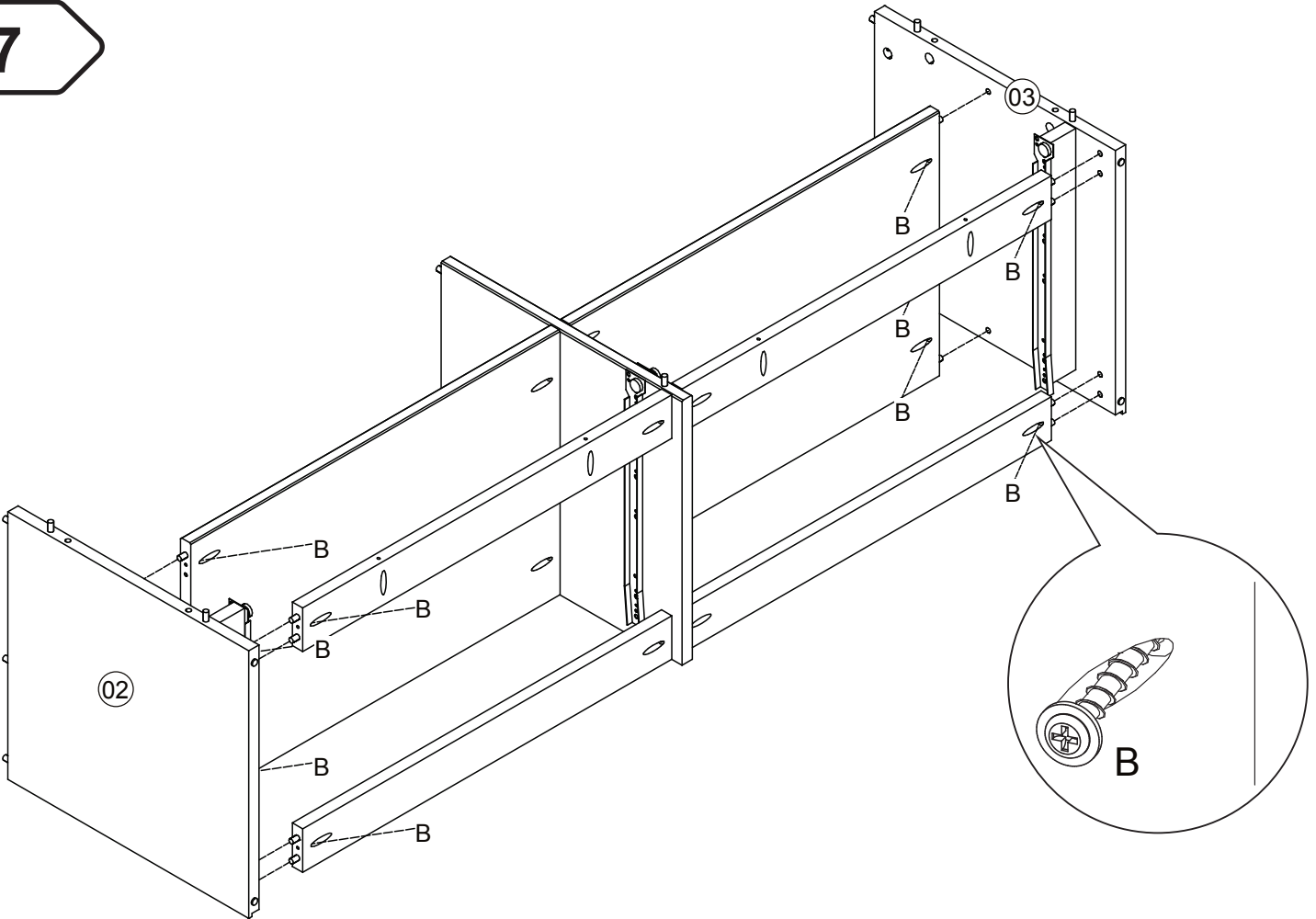
A		10	B		06	I		04
----------	---	----	----------	---	----	----------	---	----

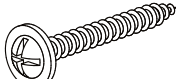
06



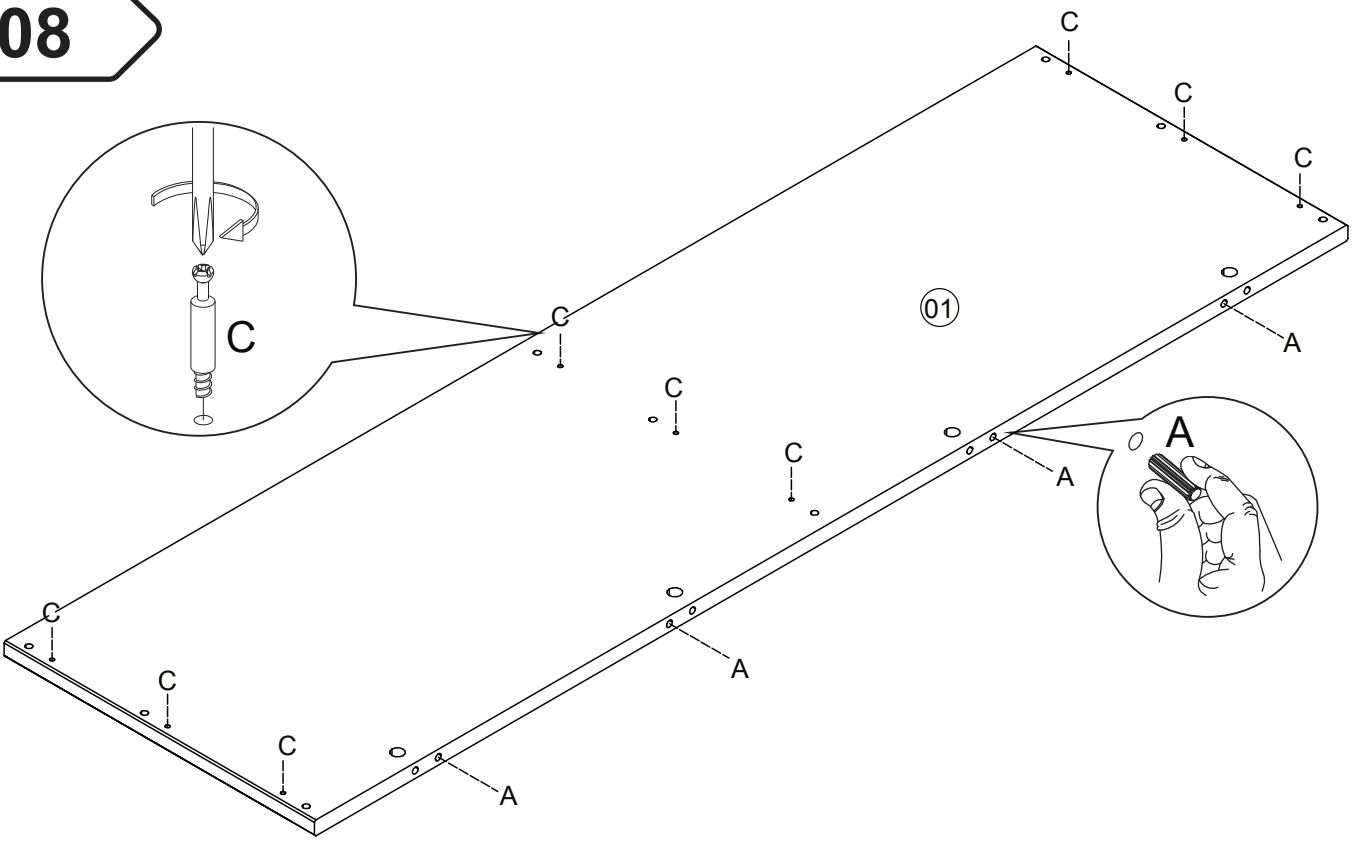
E		04	J		01	K		01
----------	---	----	----------	---	----	----------	---	----

07



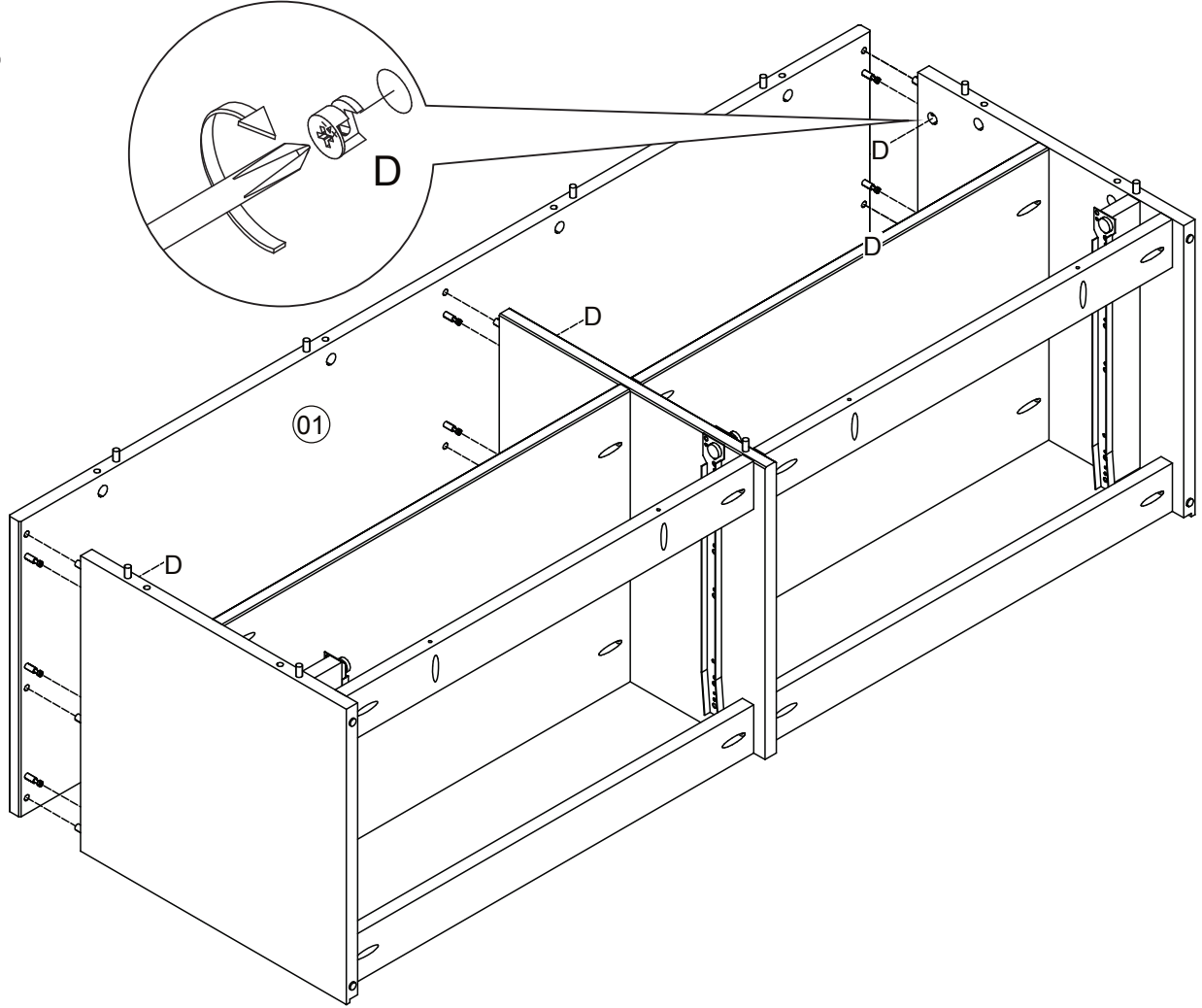
B		10
----------	---	----


08



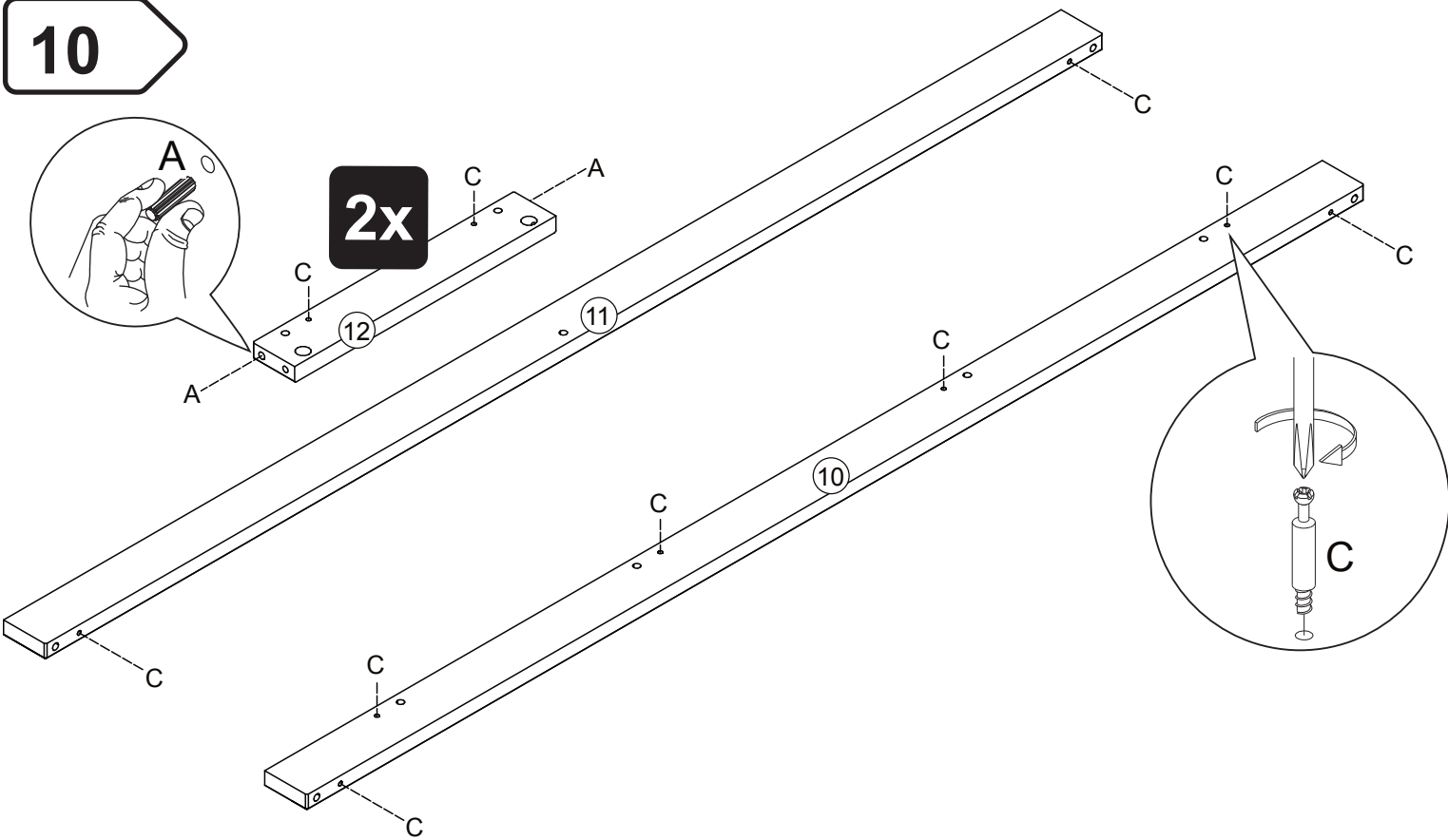
A		04	C		09
----------	---	----	----------	---	----


09

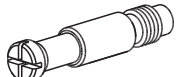


D		09
----------	---	-----------

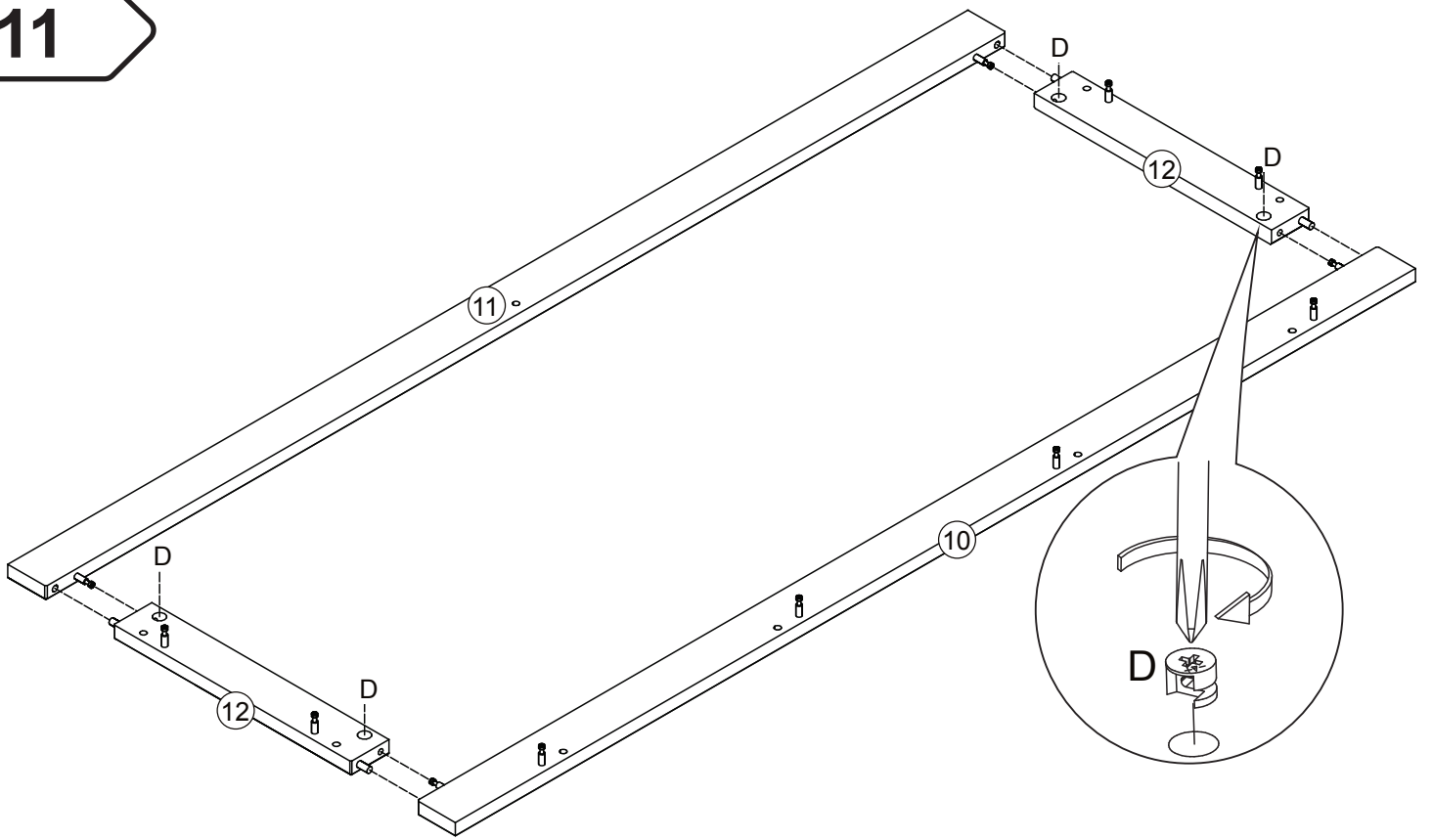
10

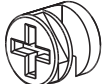


A		04
----------	---	-----------

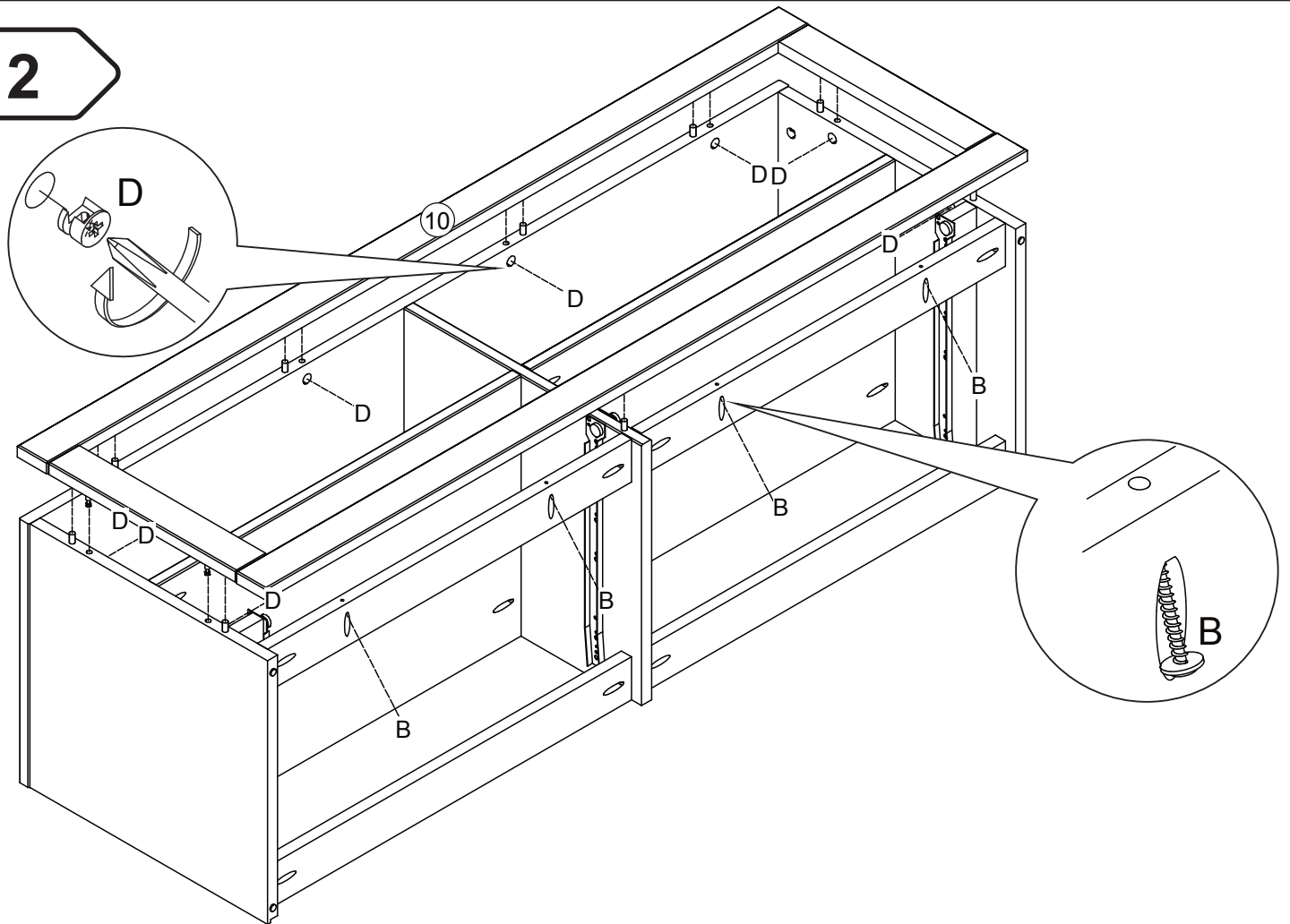
C		12
----------	---	-----------

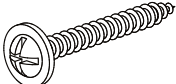
11




D		04
----------	--	-----------

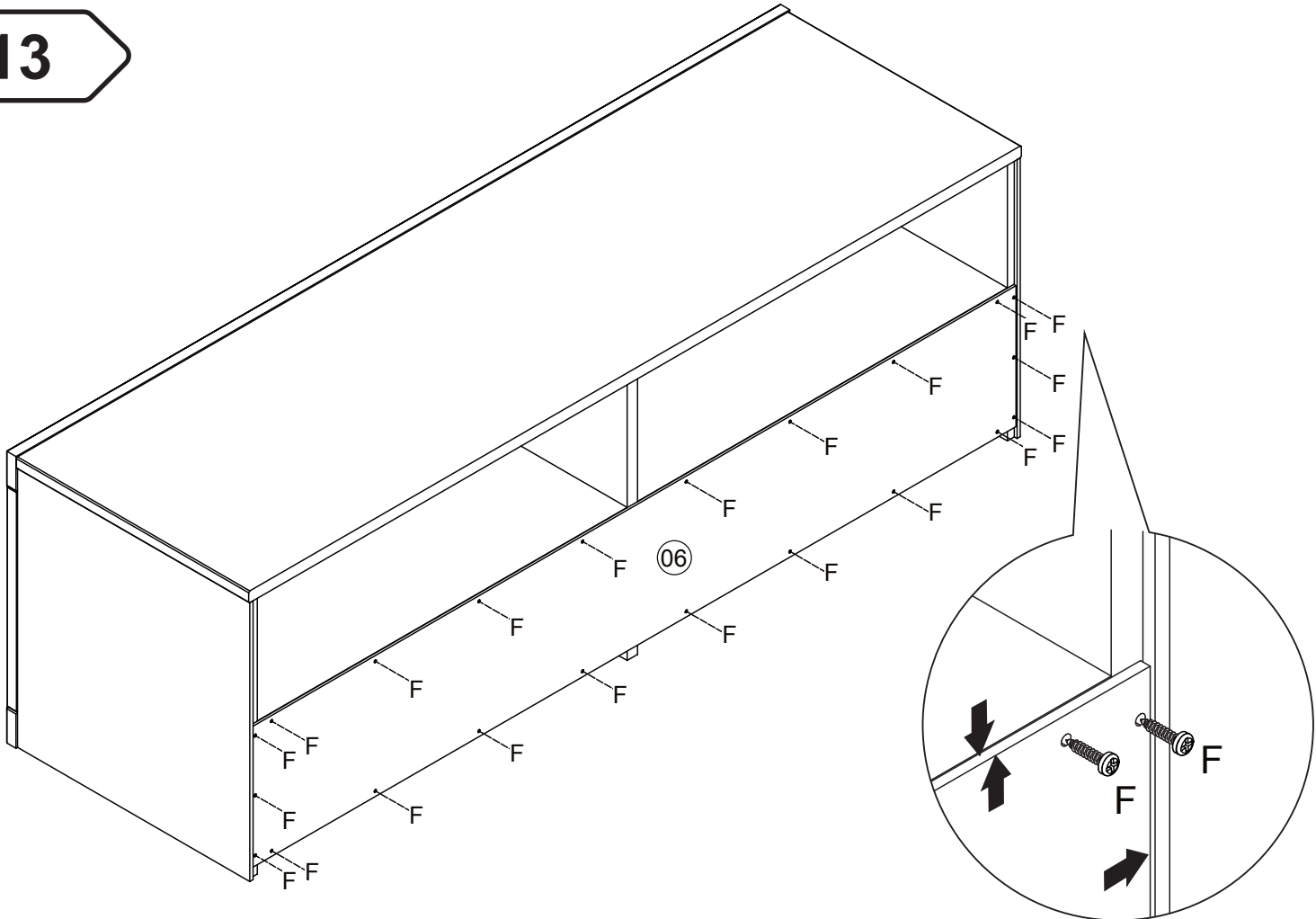
12

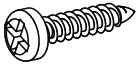


B		04
----------	---	-----------

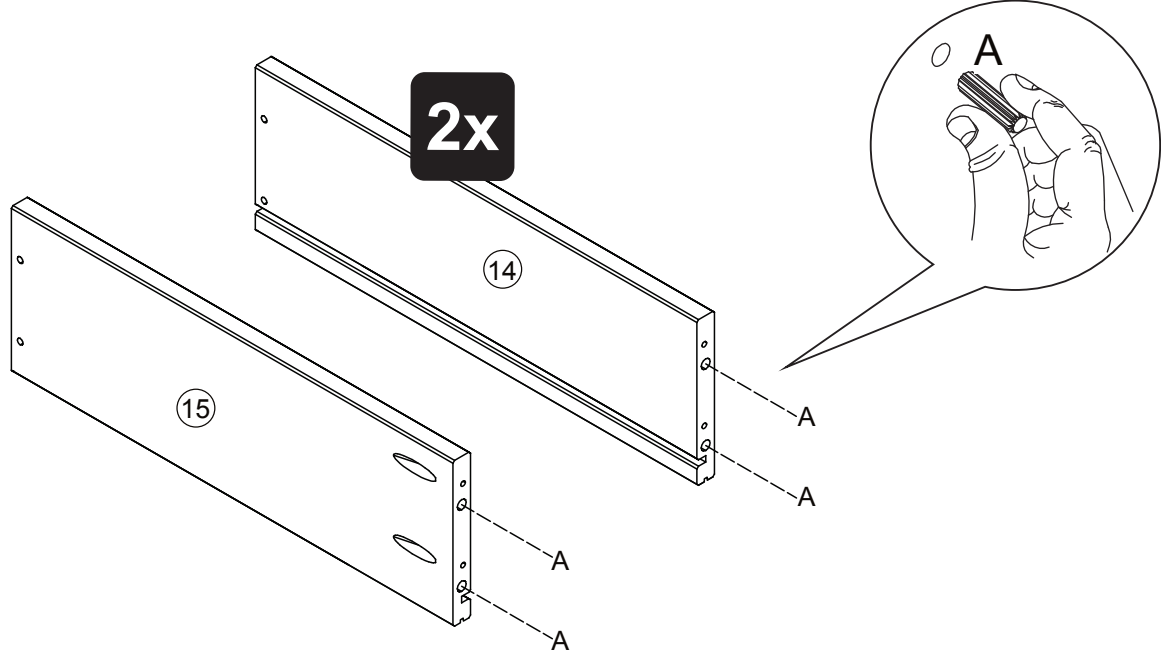
D		08
----------	---	-----------


13

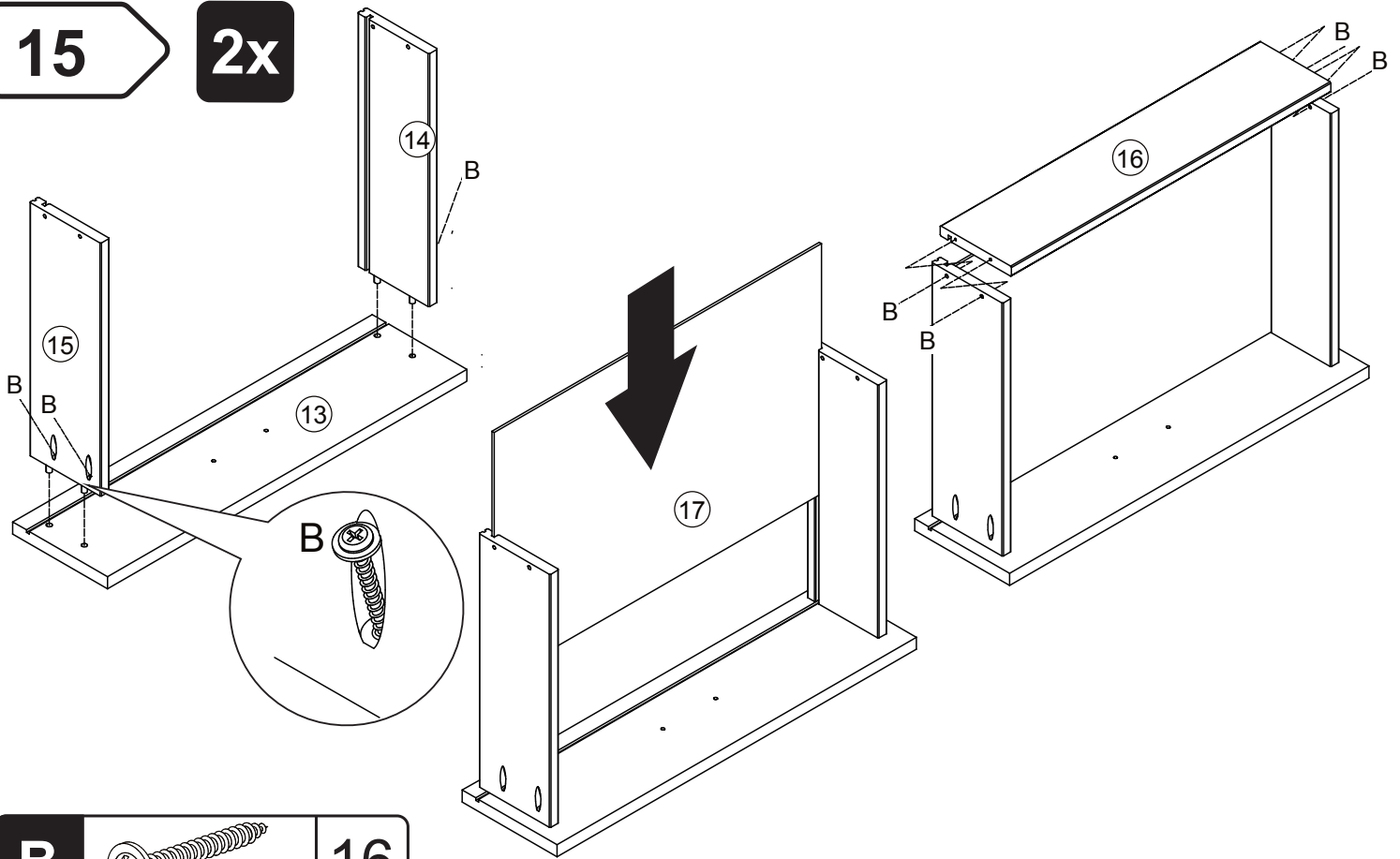
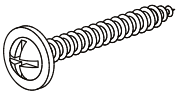
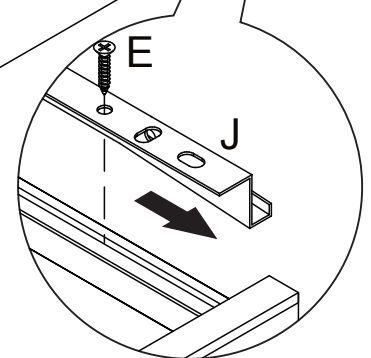
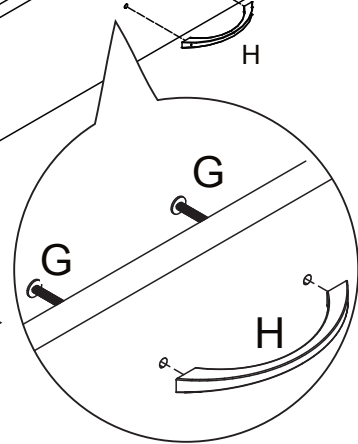
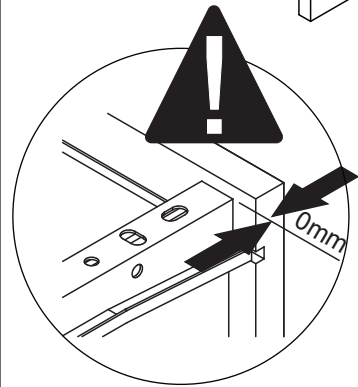
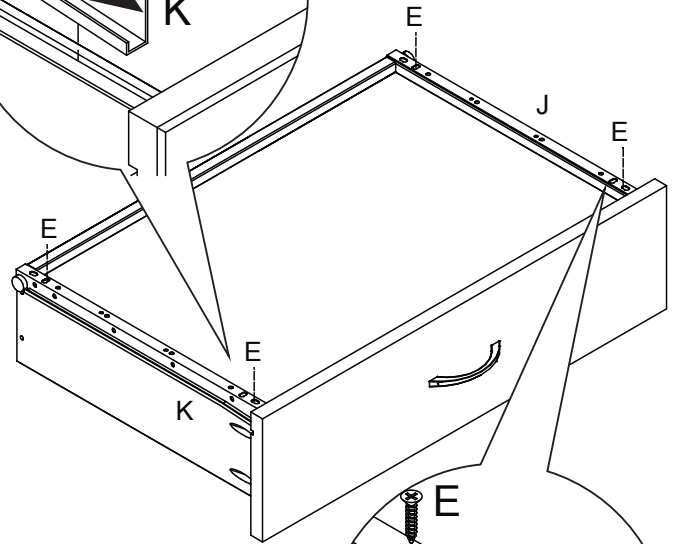
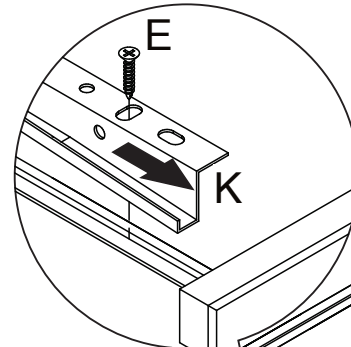
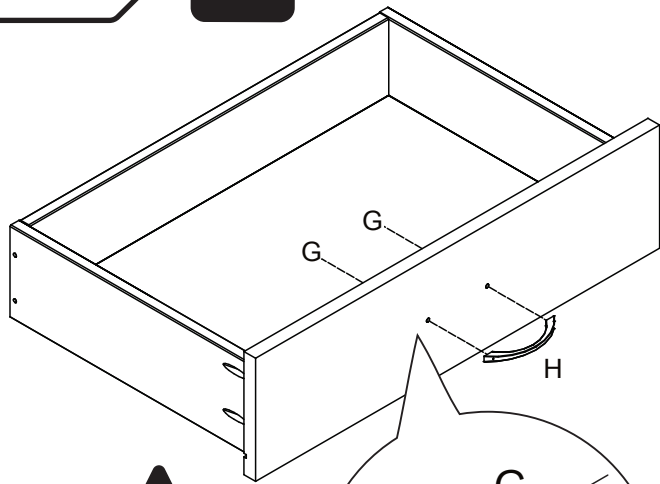
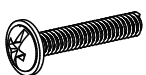
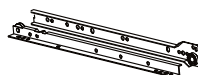
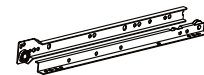


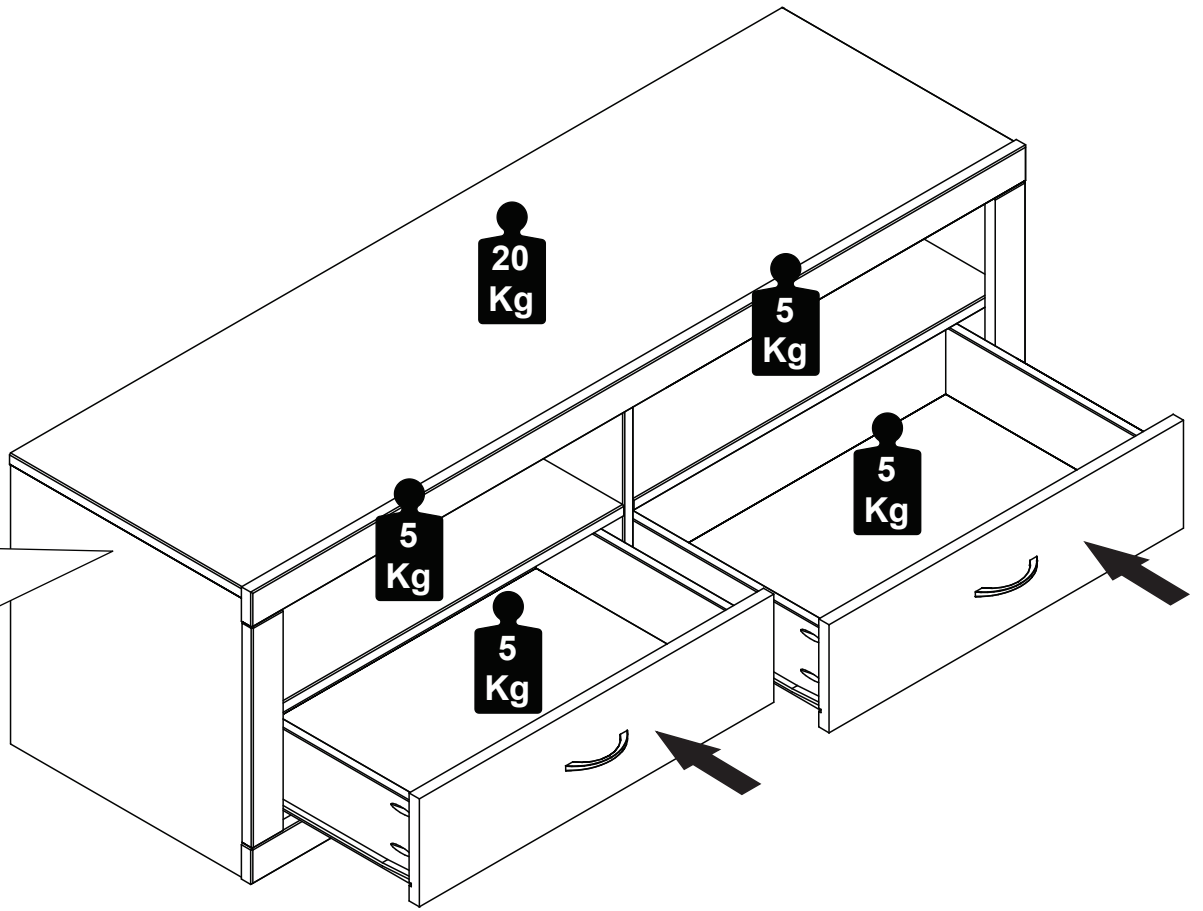
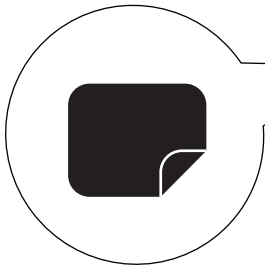
F		22
----------	---	-----------

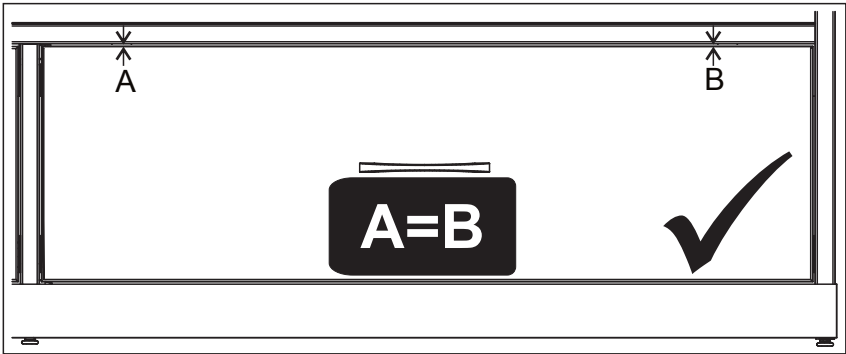
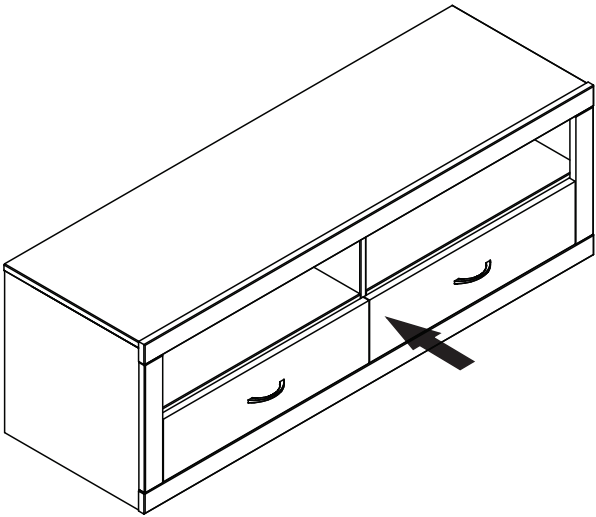
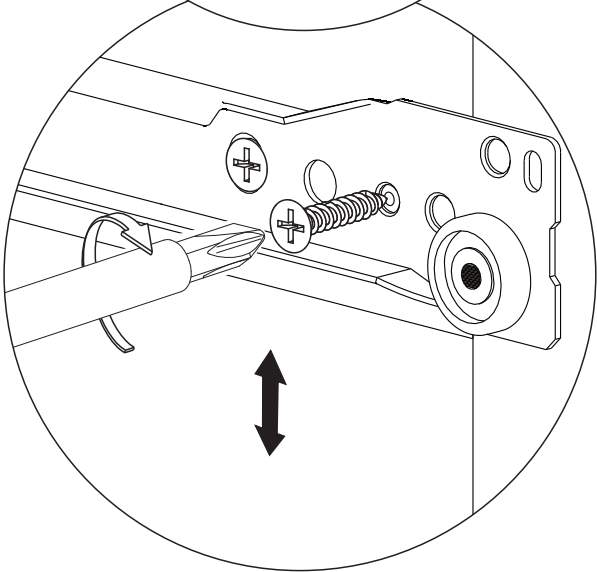
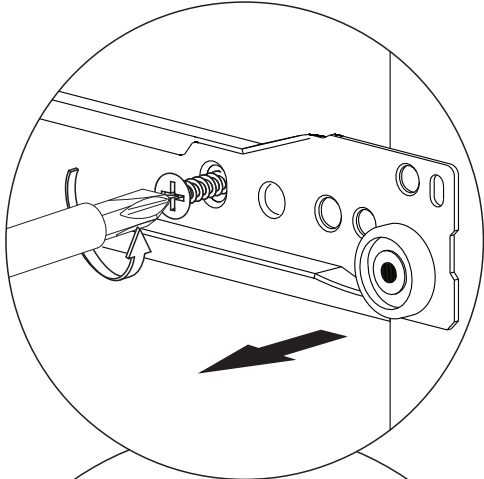
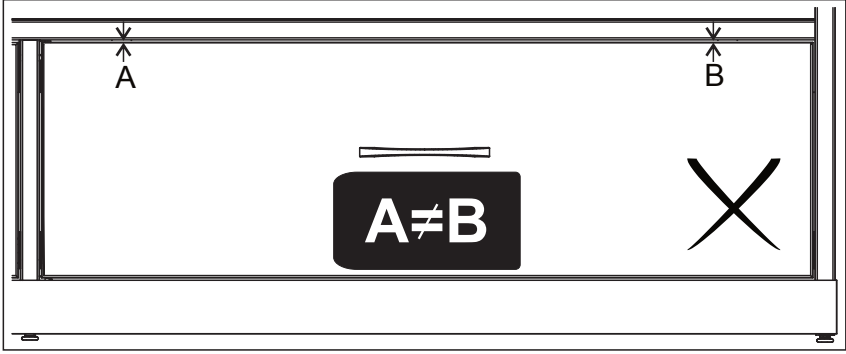
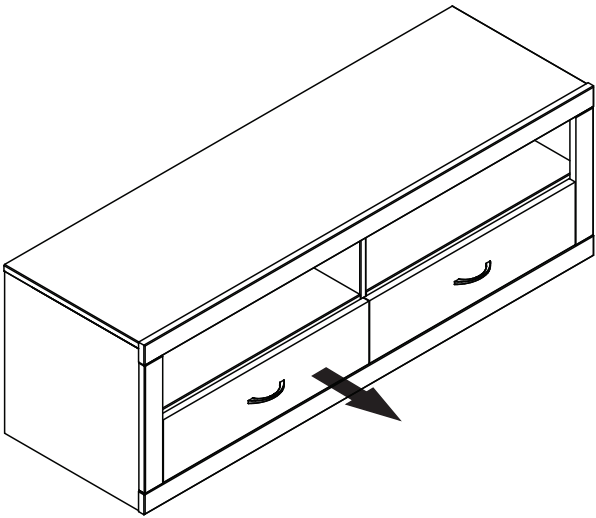
14

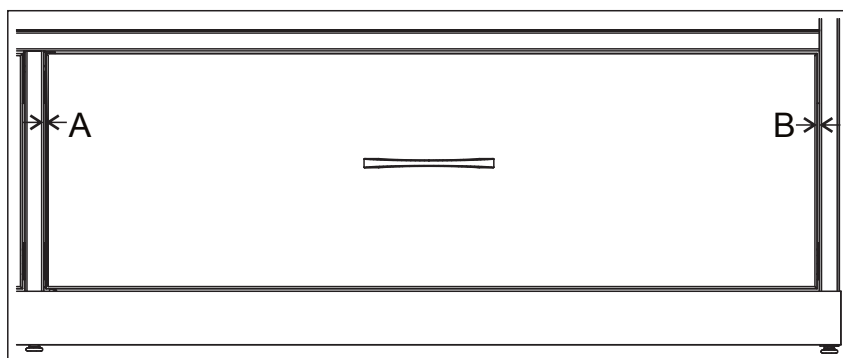
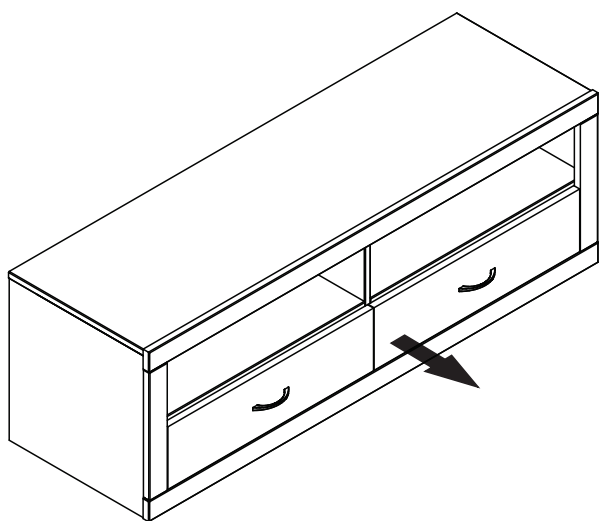


A		08
----------	---	-----------

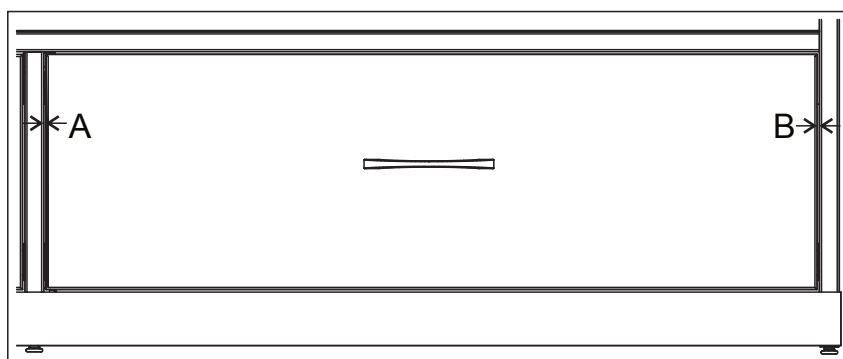
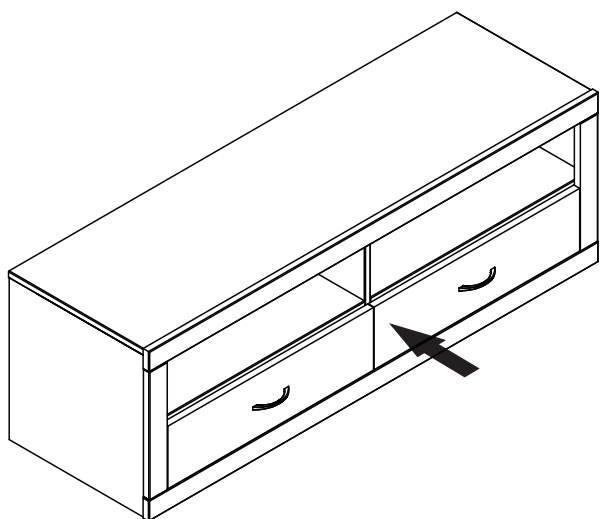
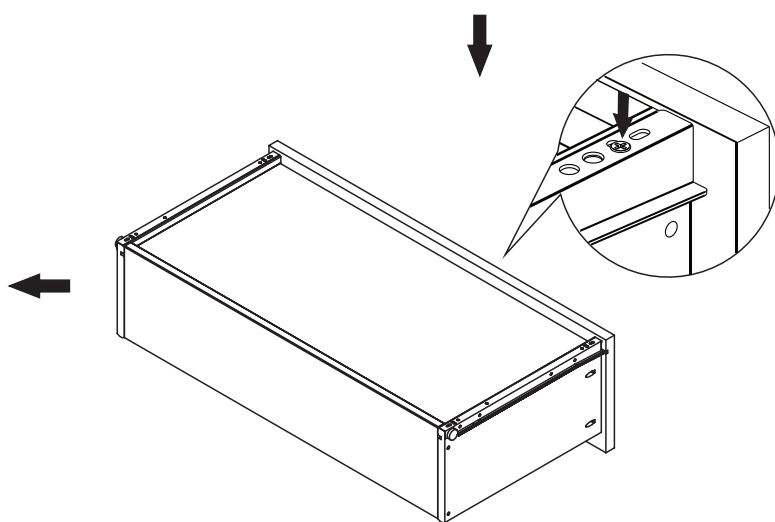
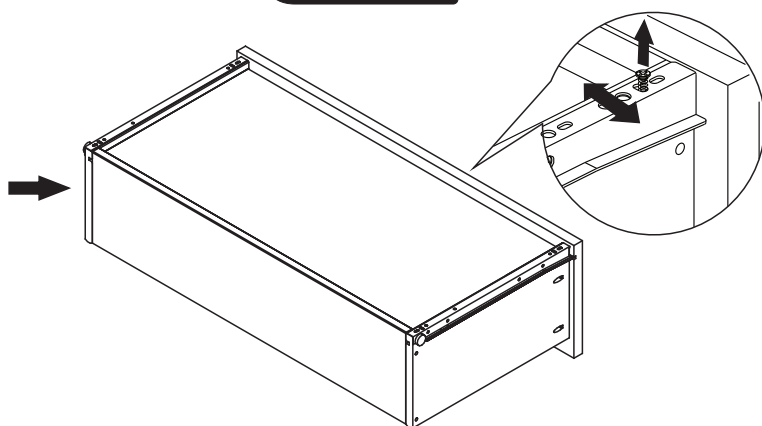
15**2x****B****16****16****2x****E****08****H****02****G****04****J****02****K****02**







A≠B



A=B