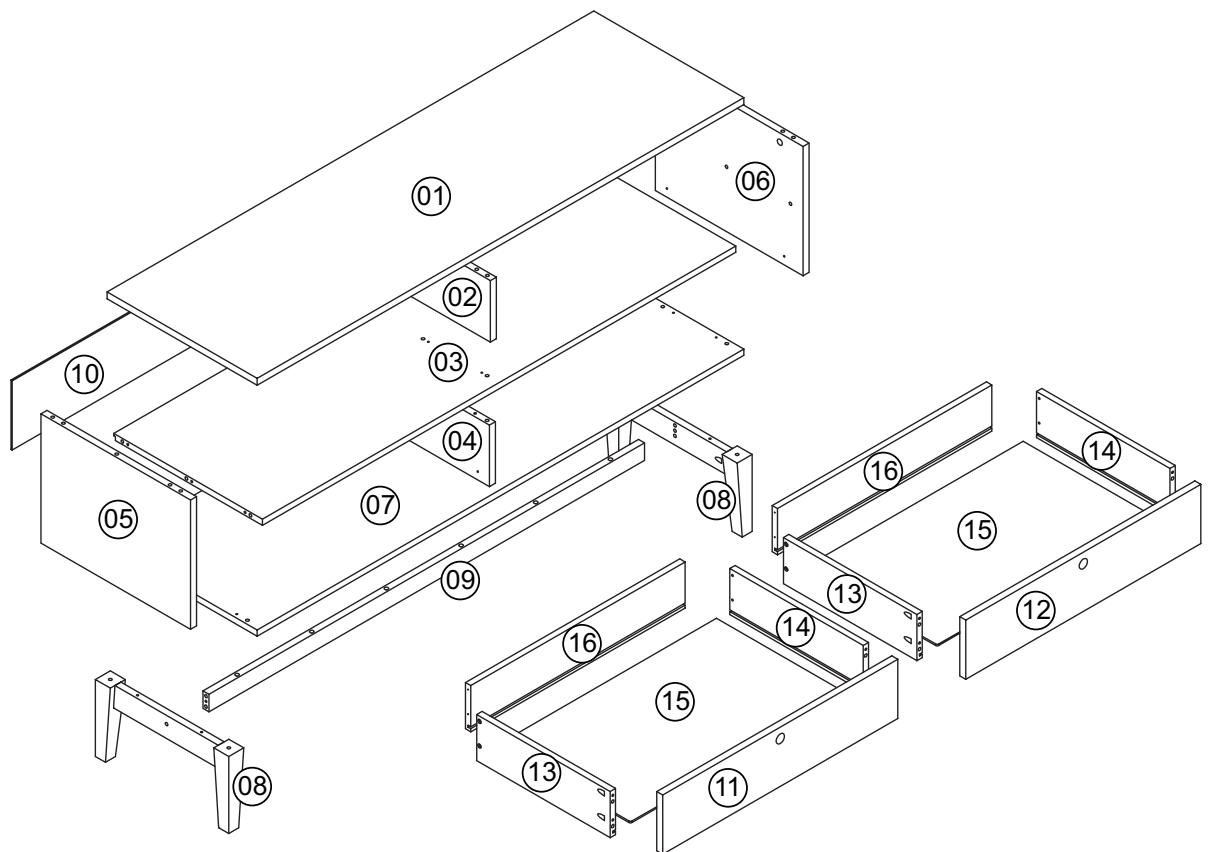
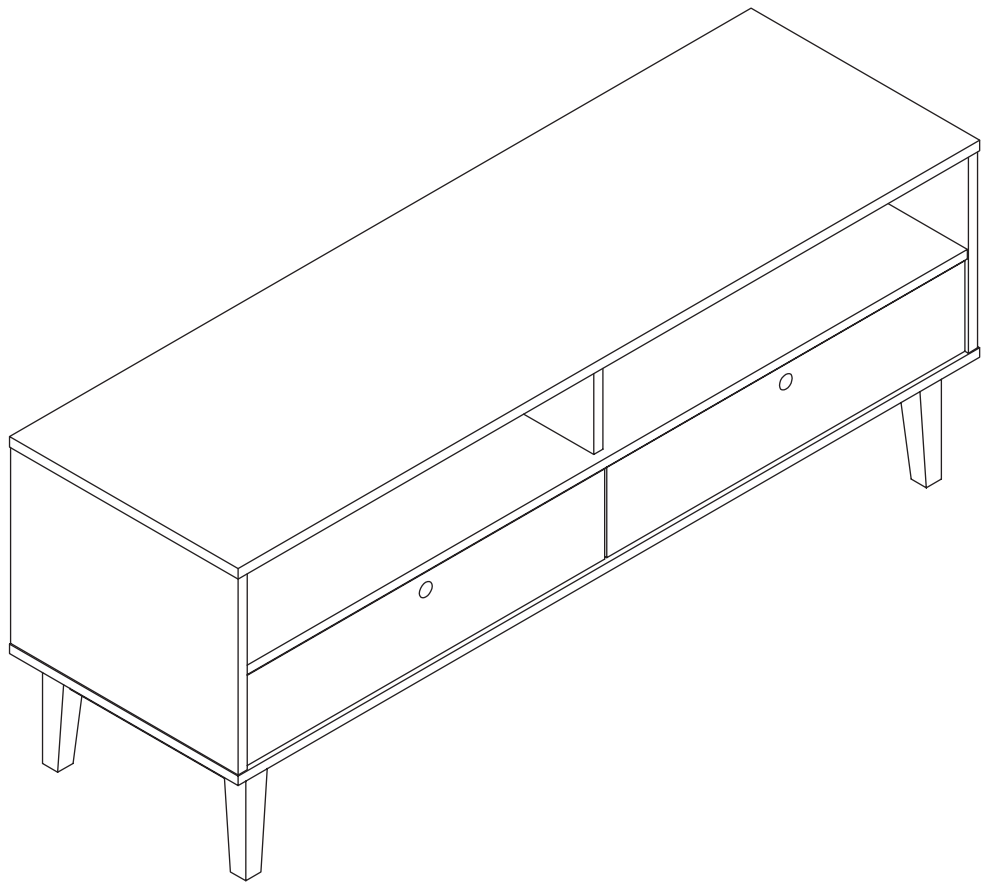
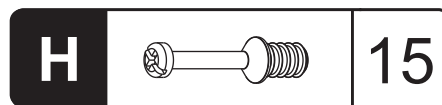
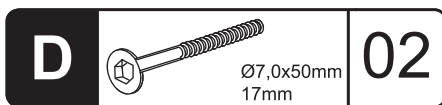
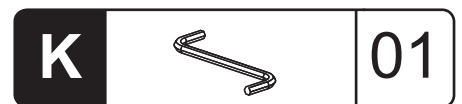
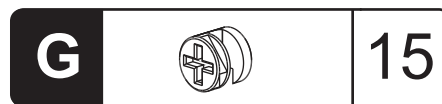
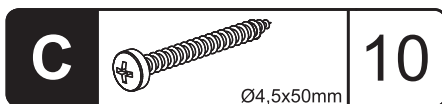
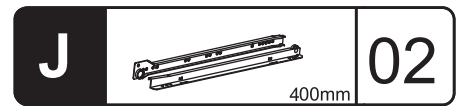
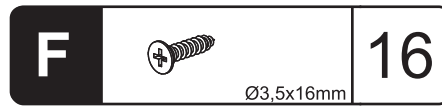
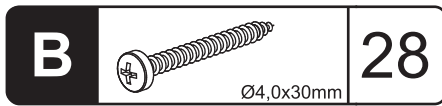
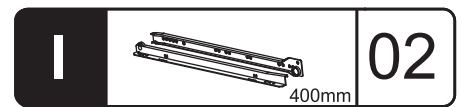
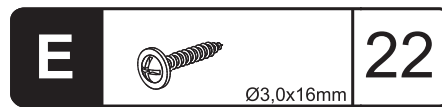
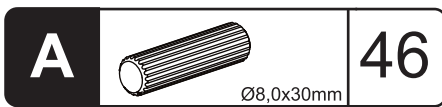
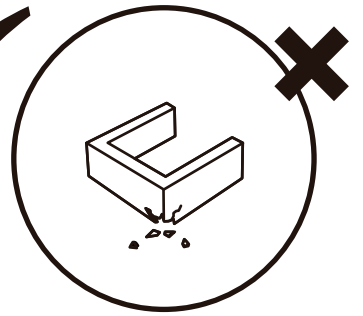
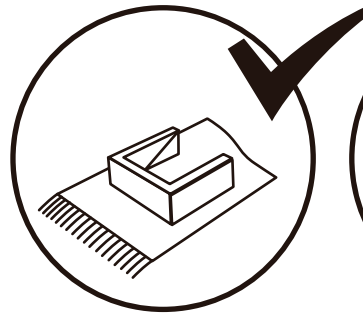
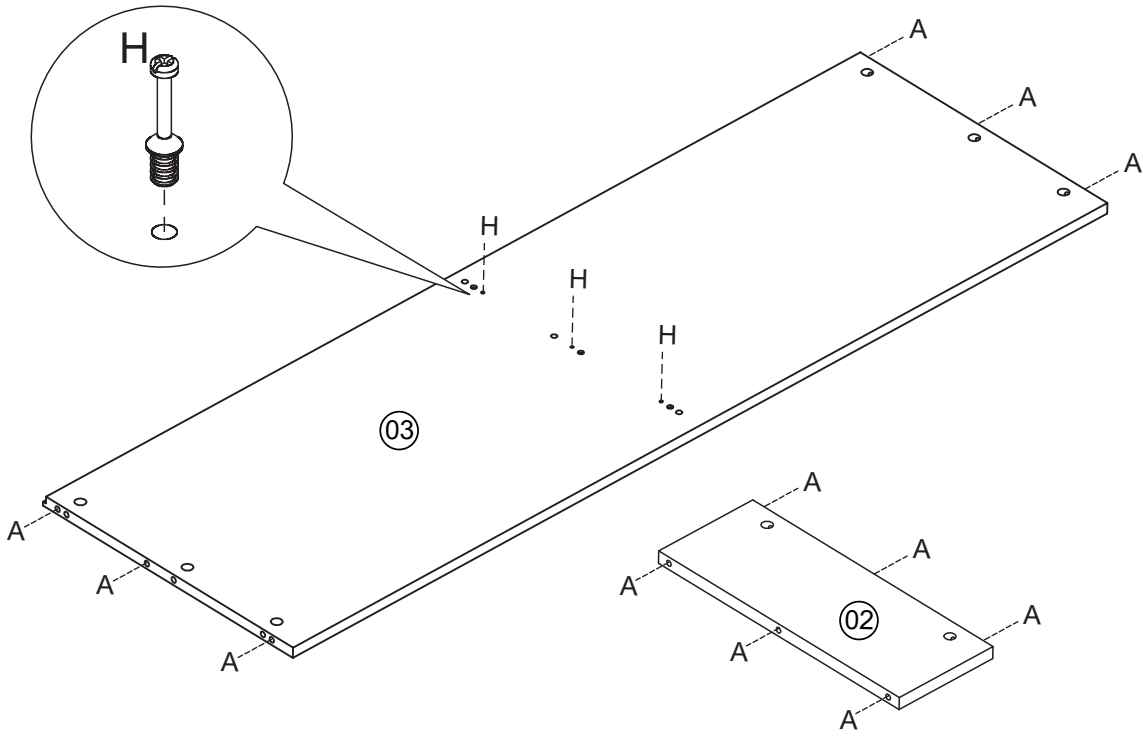


CHARME

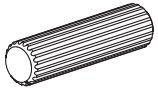




01

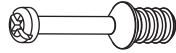


A



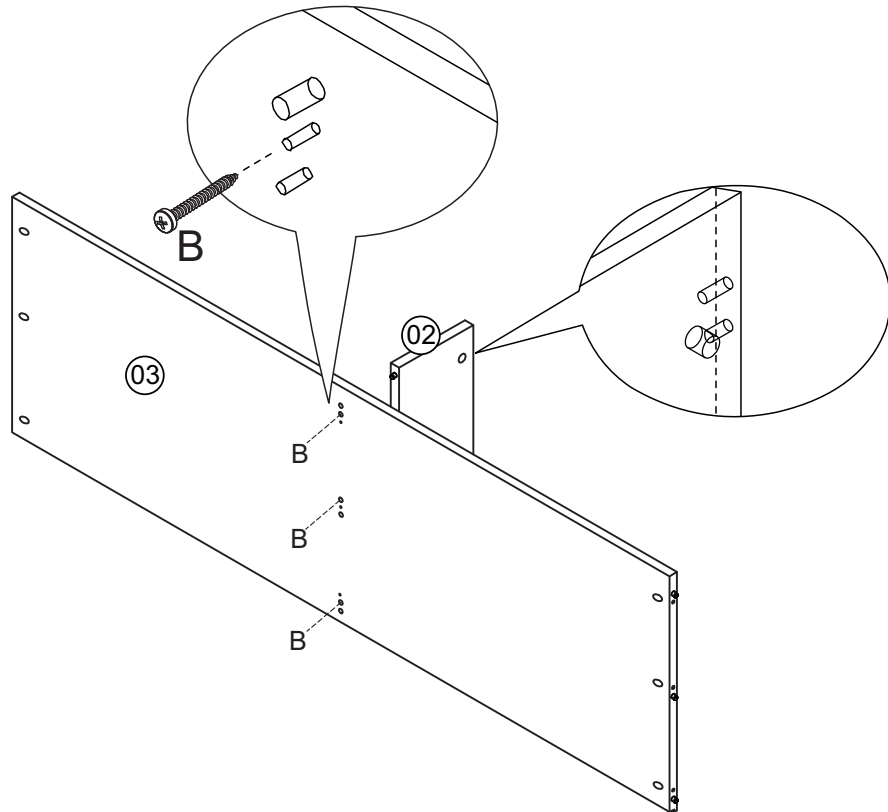
12

H

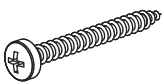


03

02

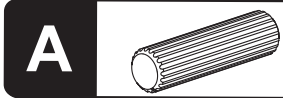
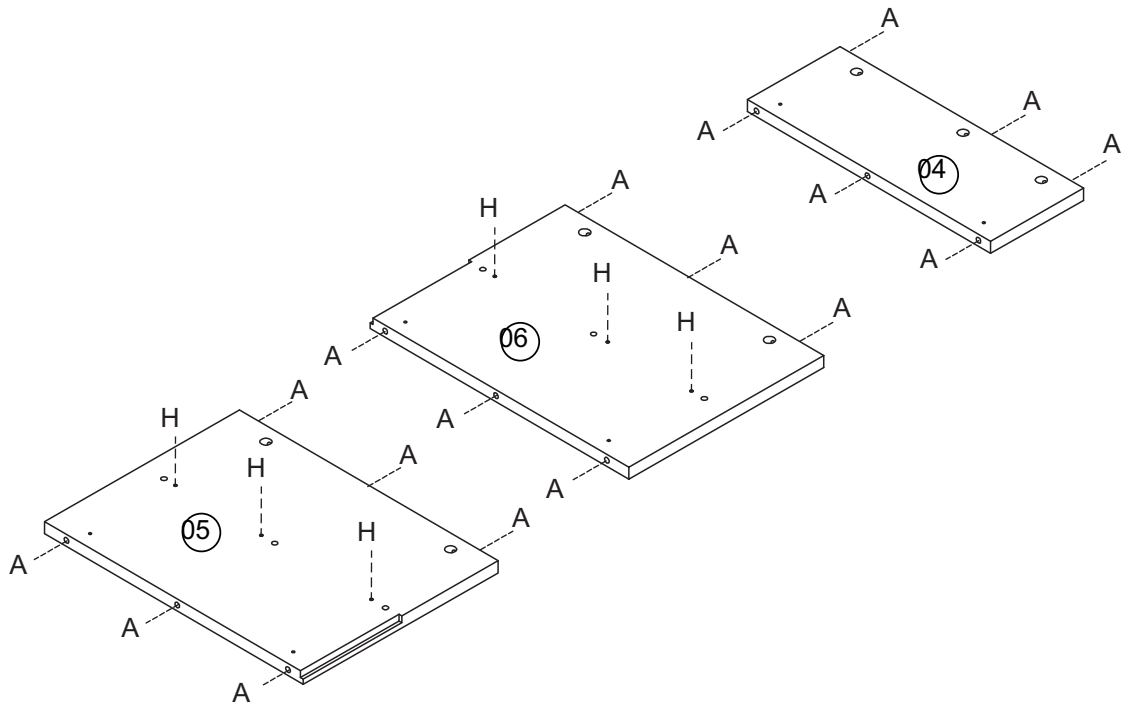


B

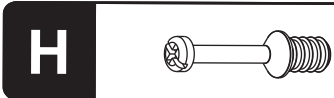


03

03

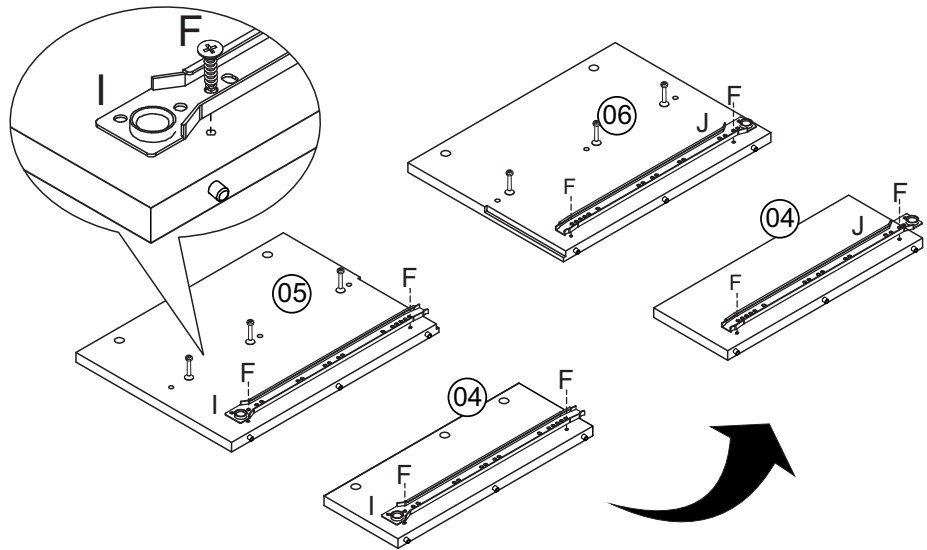


A 18

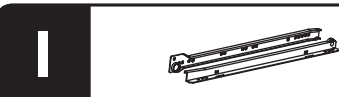


H 06

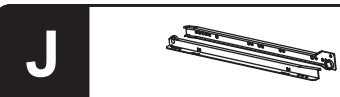
04



F 08

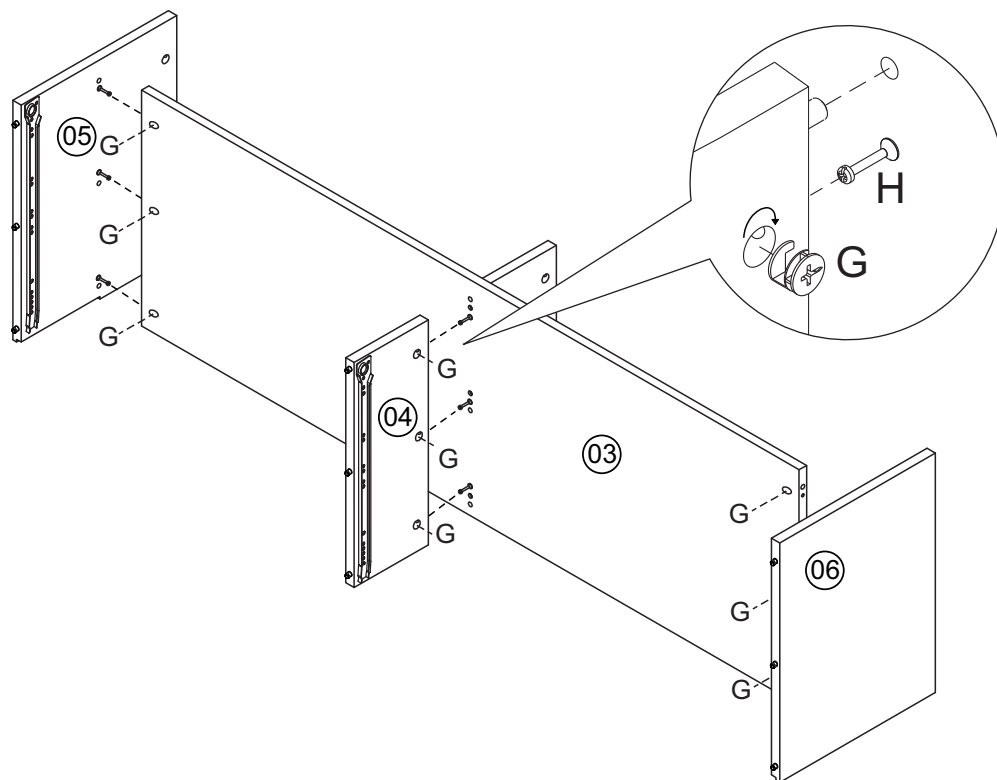


I 02



J 02

05

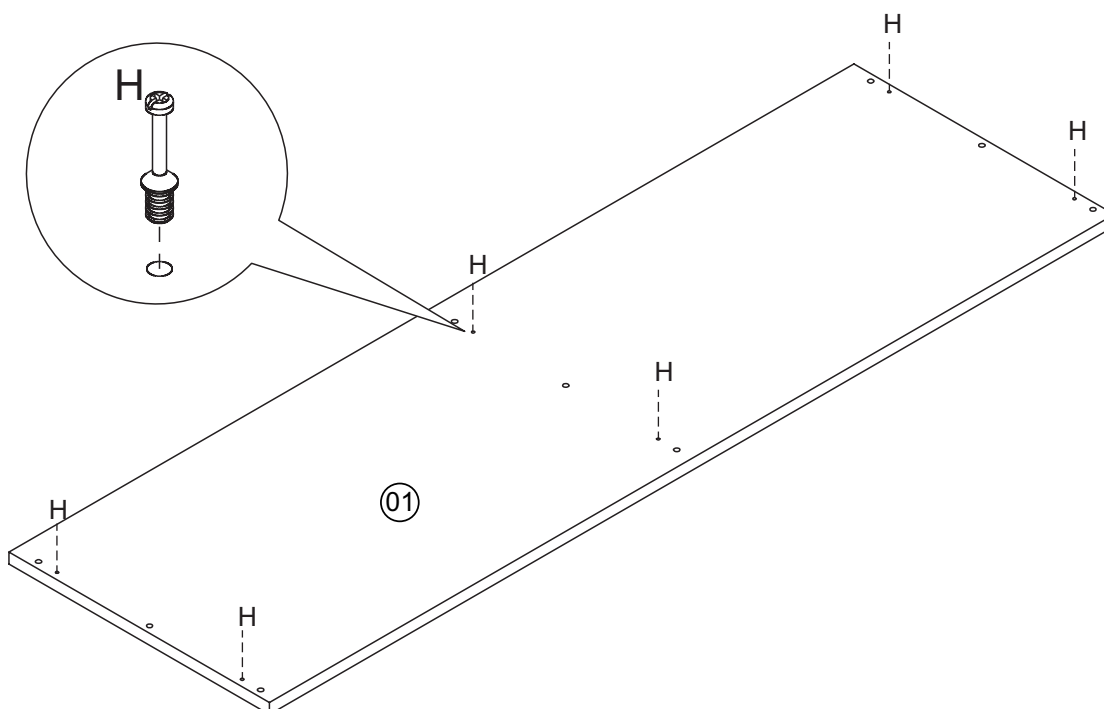


G



09

06

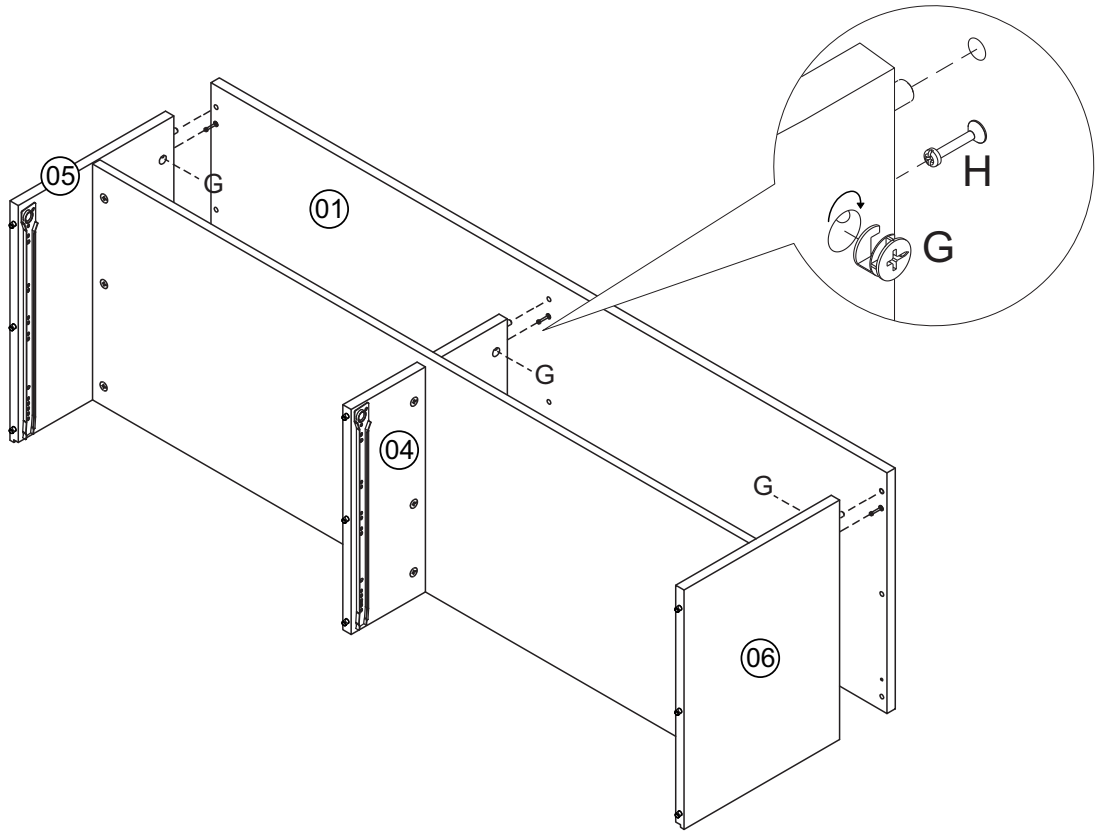



H



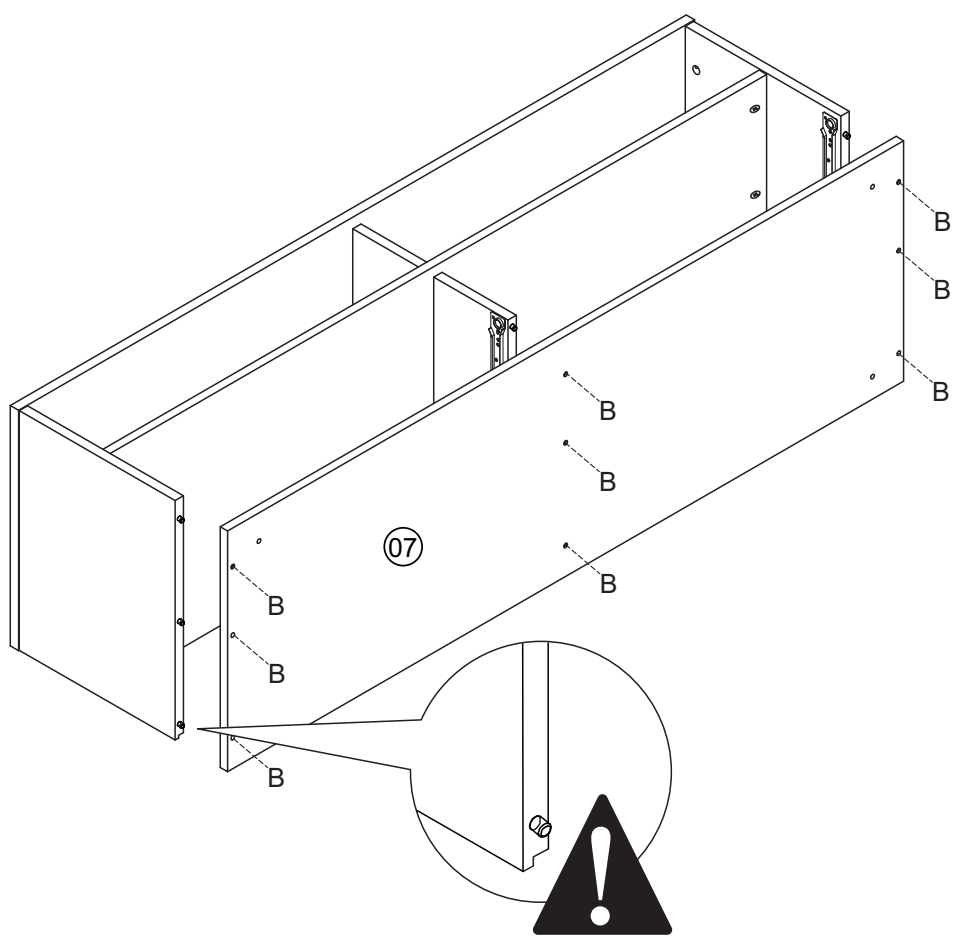
06


07



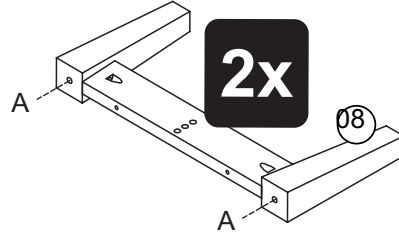
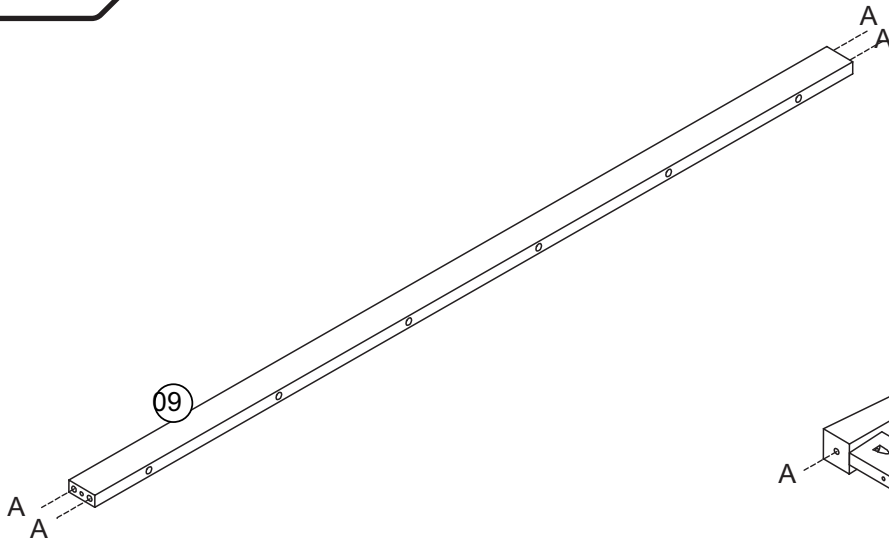
G		06
----------	--	-----------

08

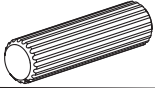


B		09
----------	---	-----------

09

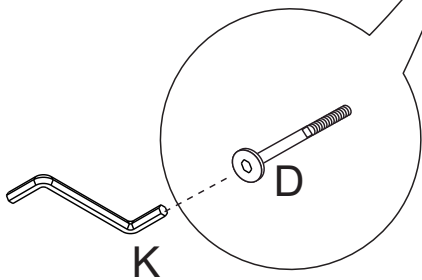
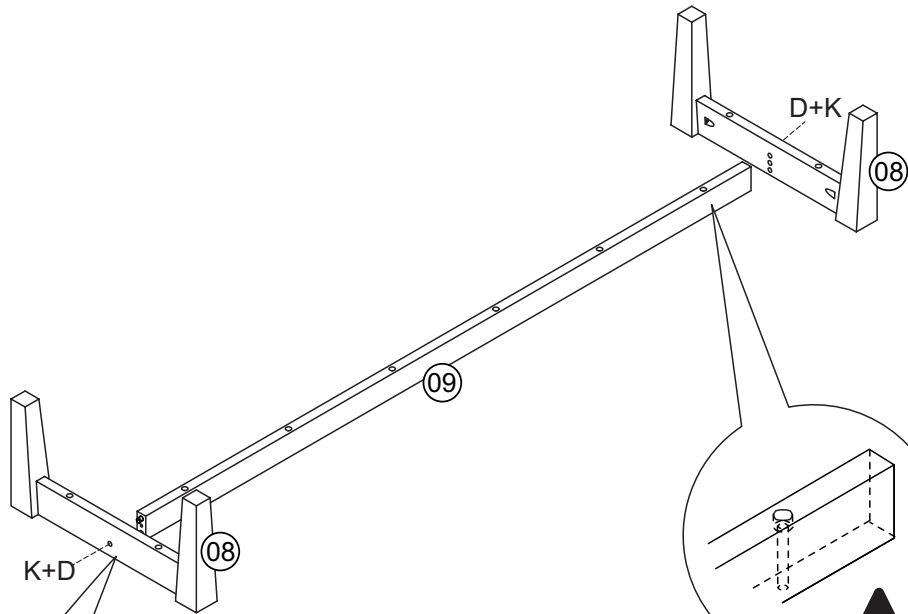


A

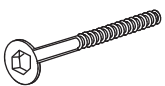


08

10



D



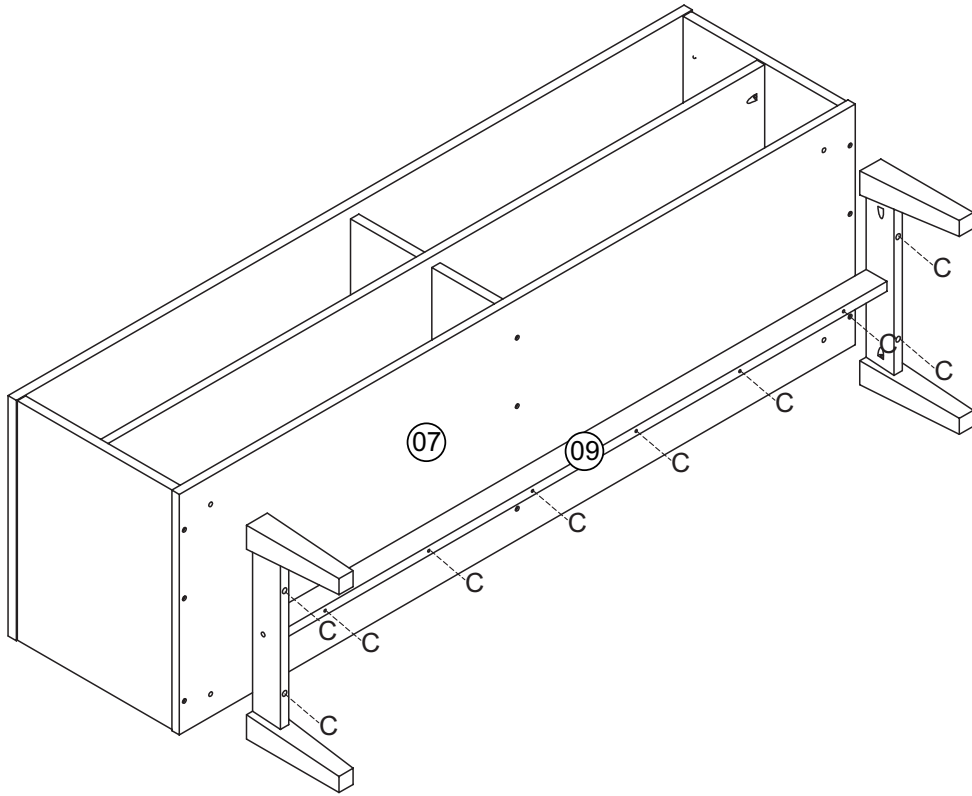
02

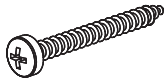
K



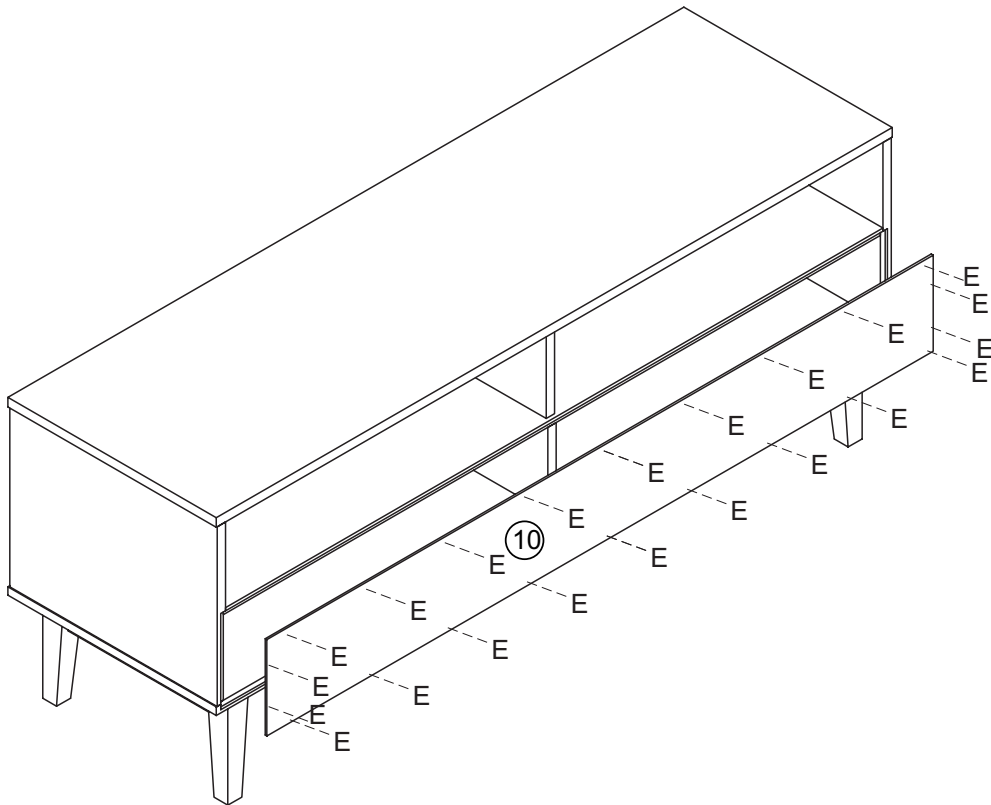
01

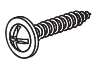
11



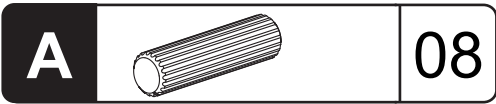
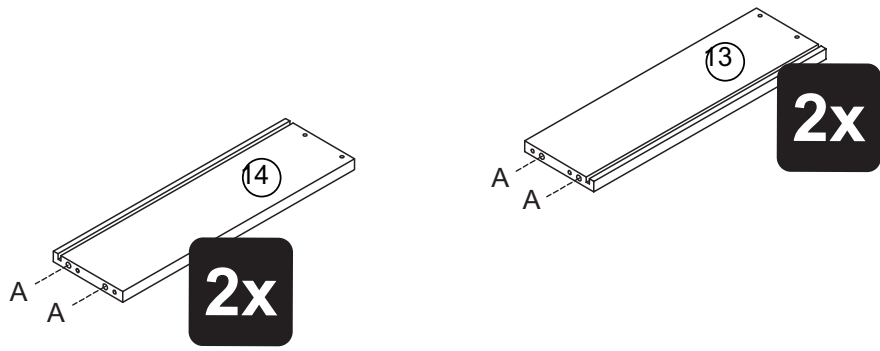
C		10
----------	--	-----------

12

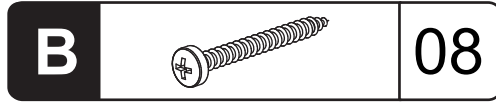
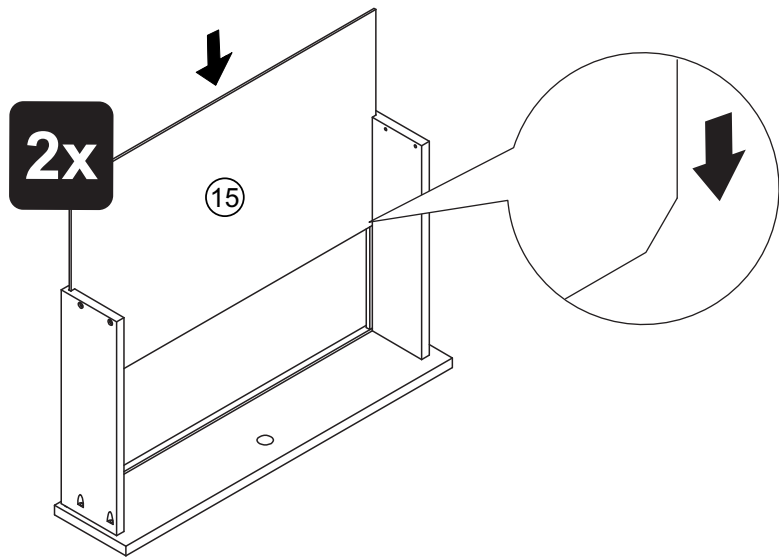
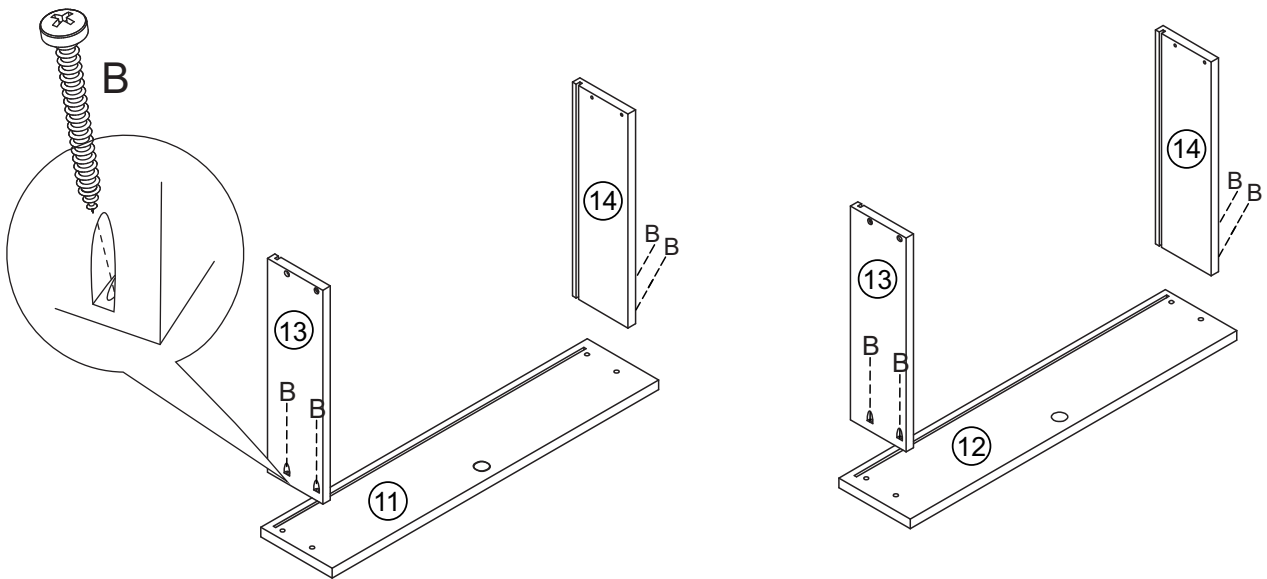


E		22
----------	---	-----------

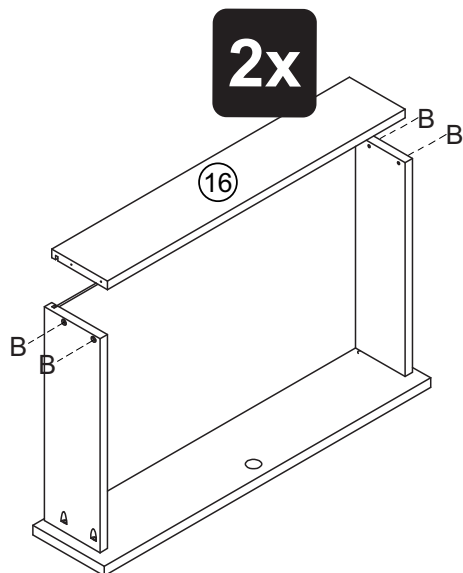
13

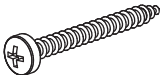


14

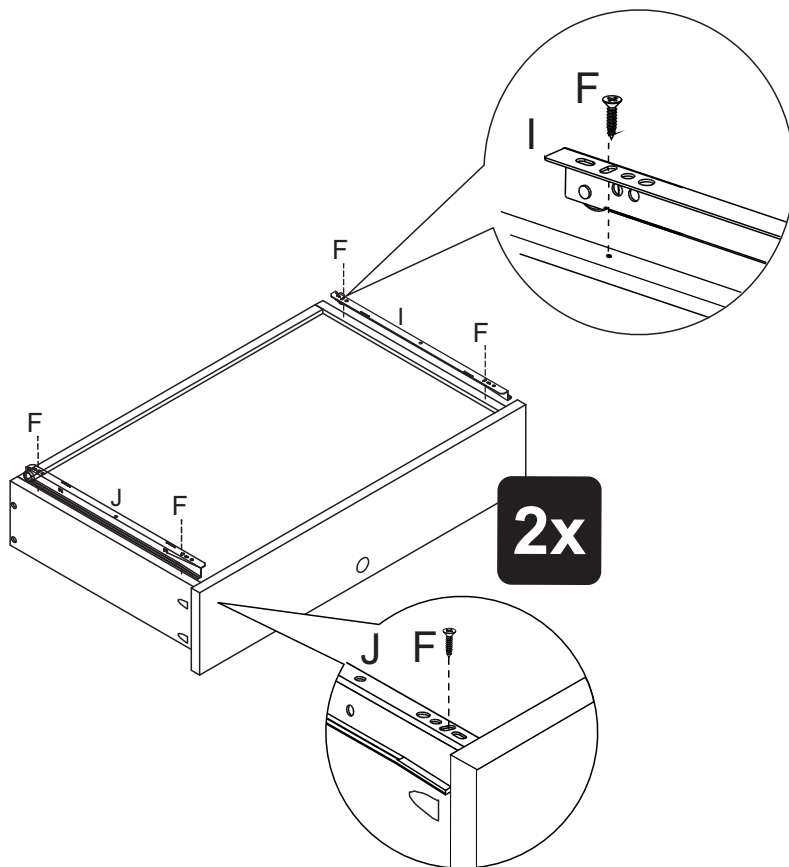



15





B		08
----------	---	----

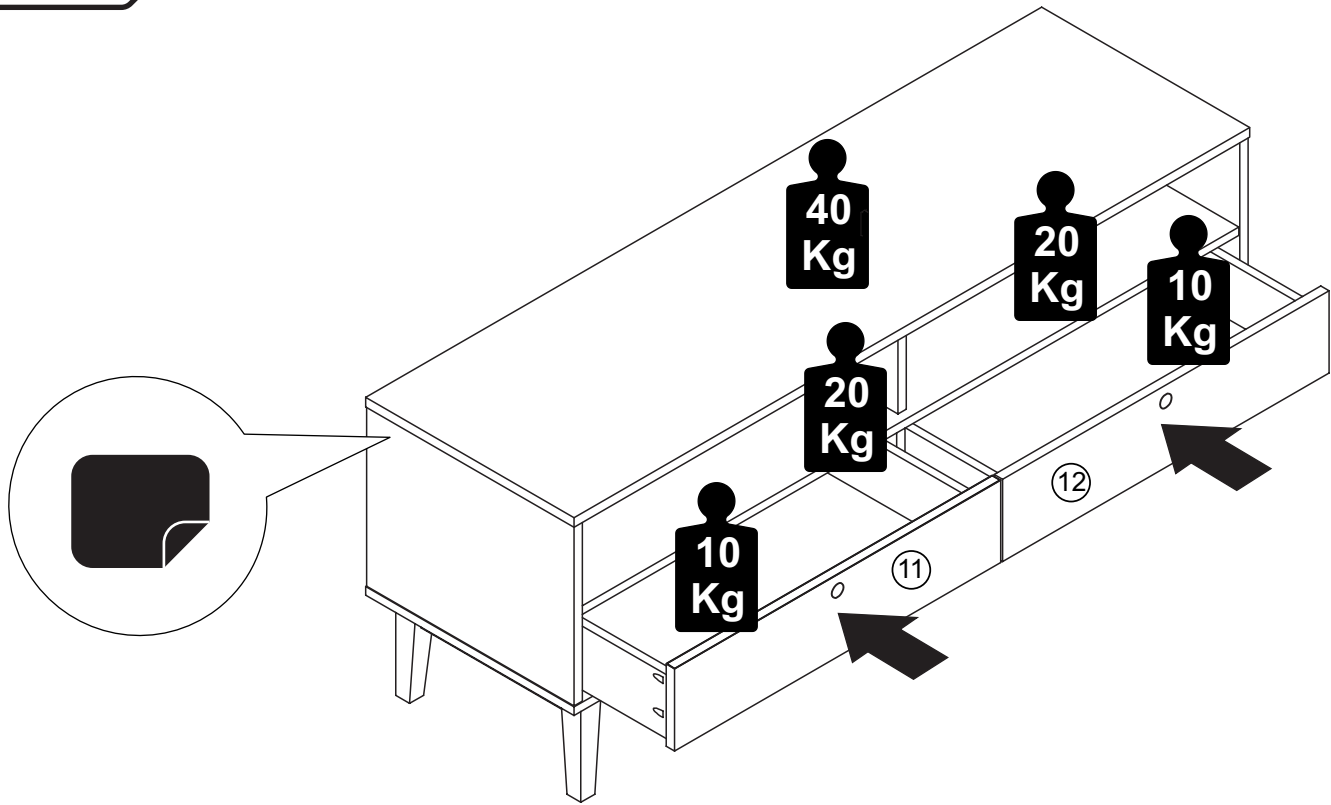
16



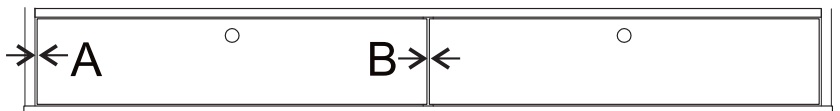
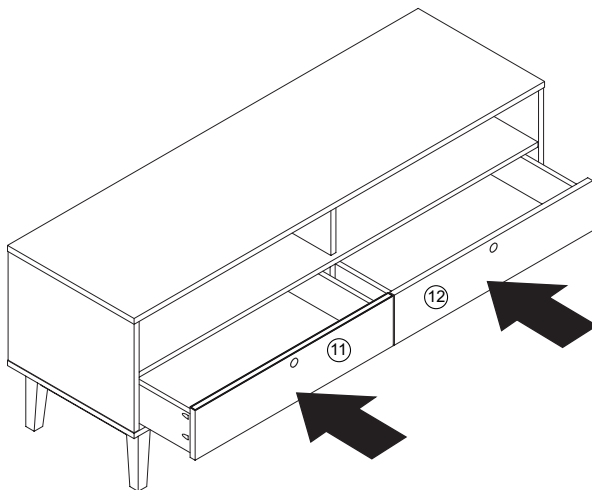
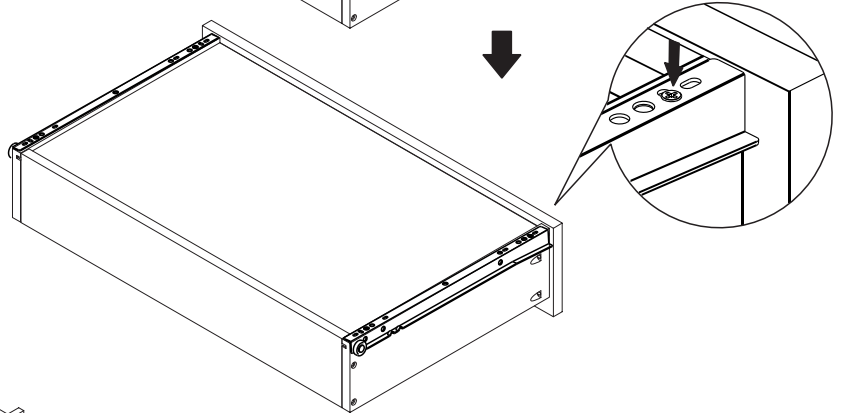
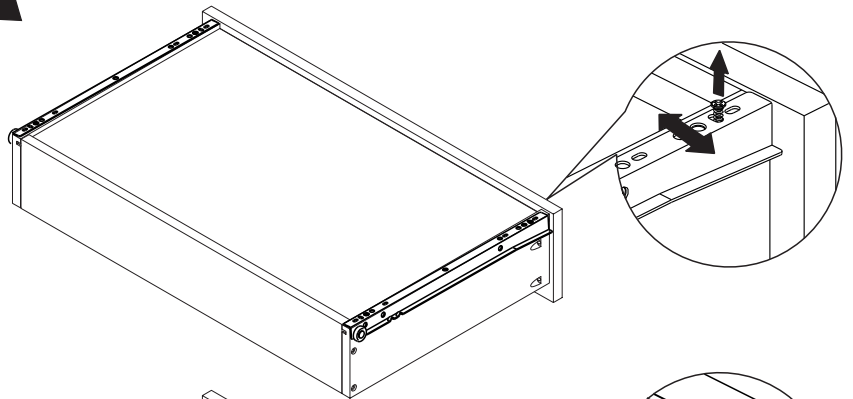
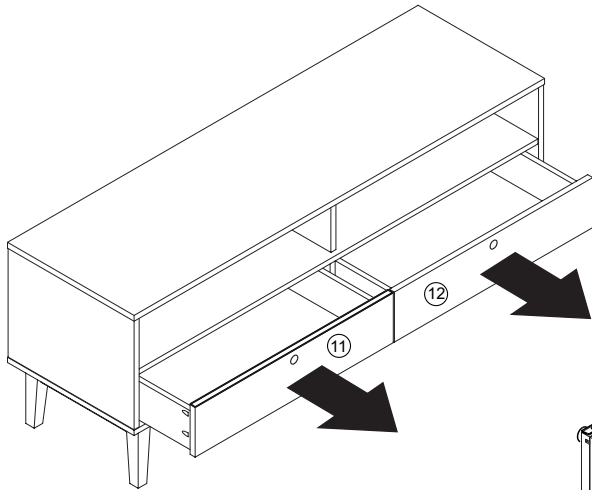
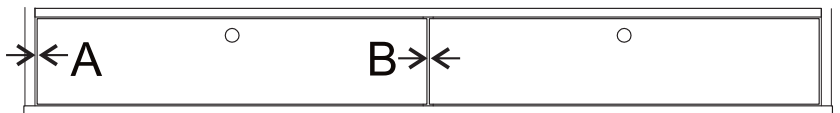
F		08
----------	---	----

I		02
----------	---	----

J		02
----------	---	----

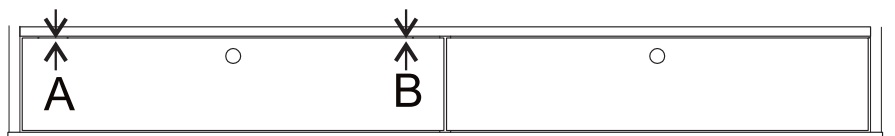
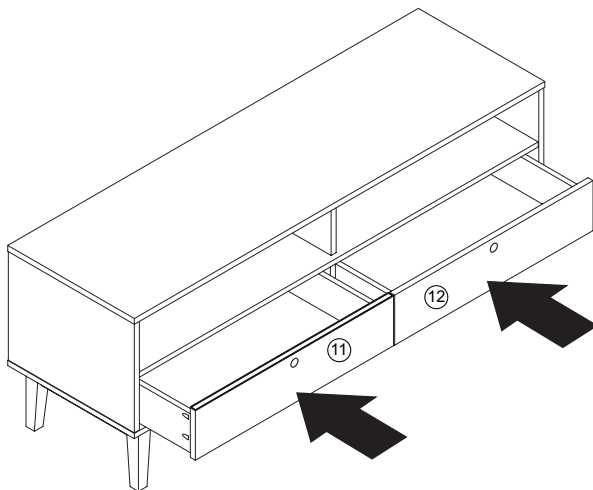
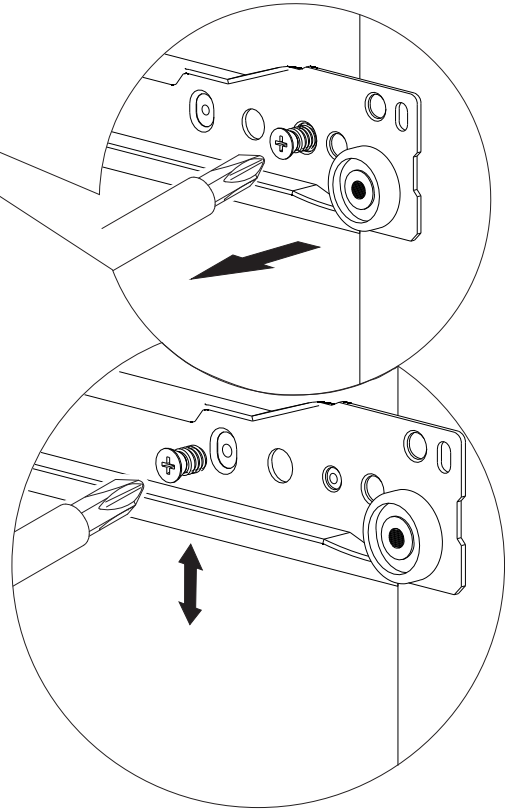
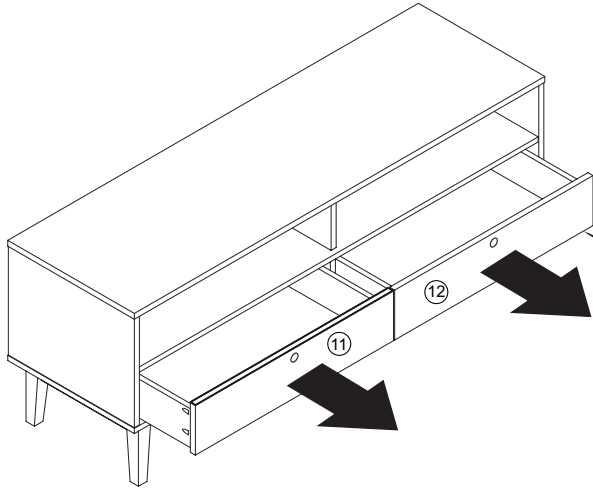
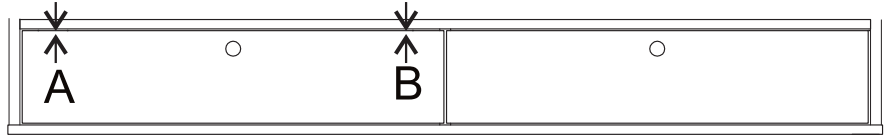


A≠B



A=B

A≠B



A=B