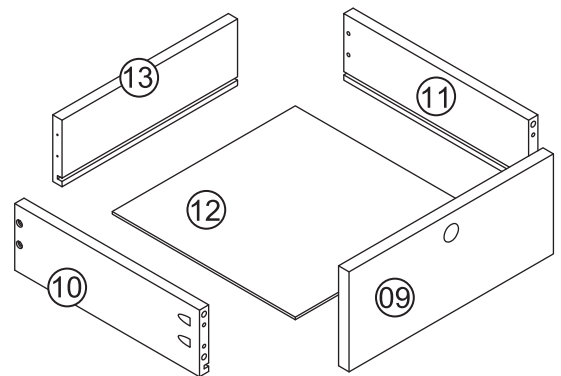
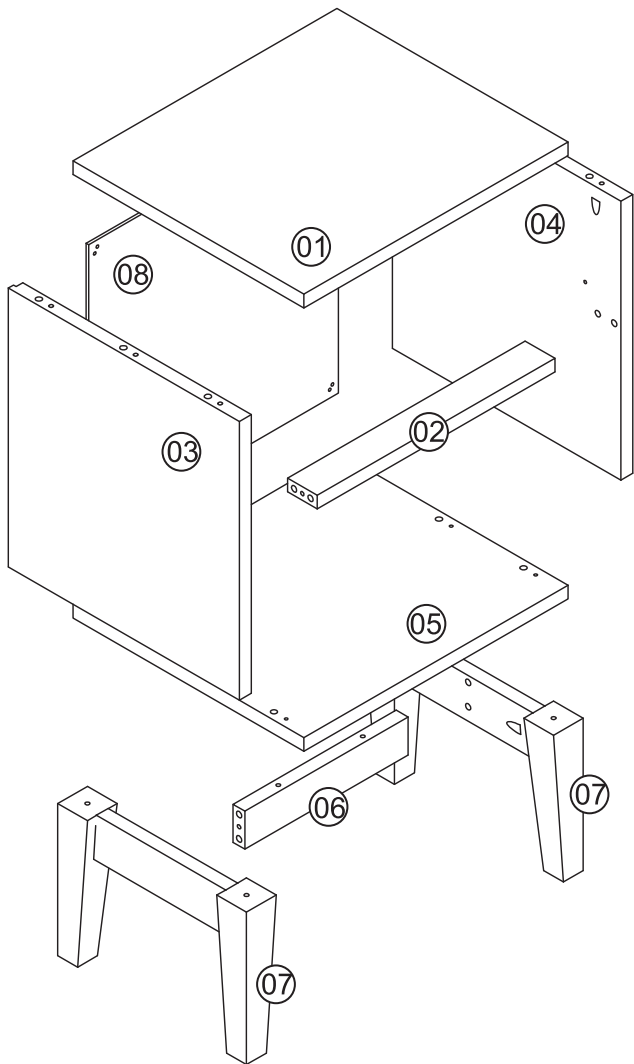
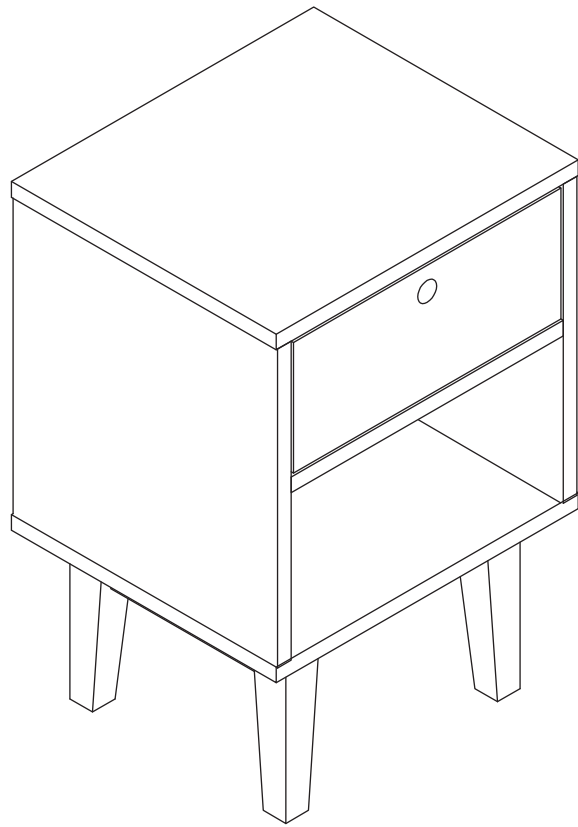
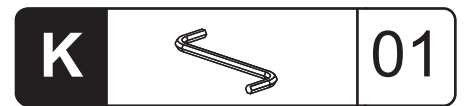
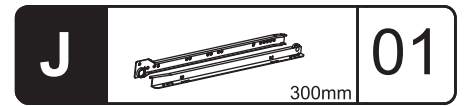
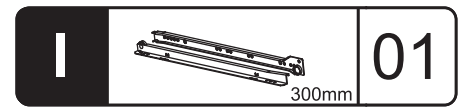
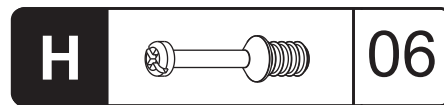
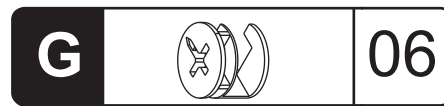
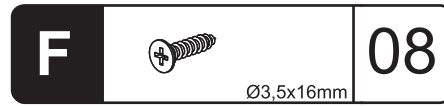
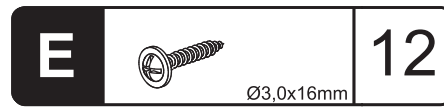
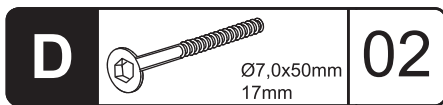
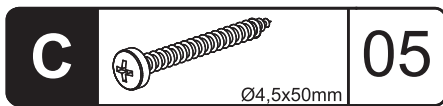
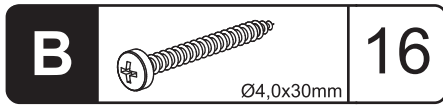
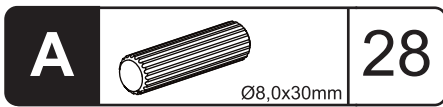
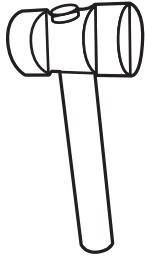
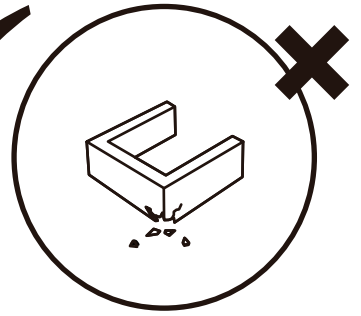
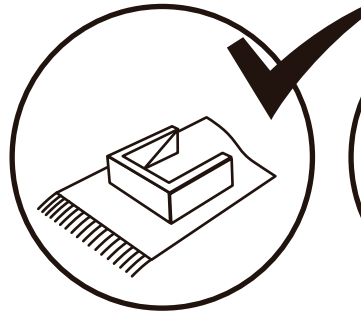
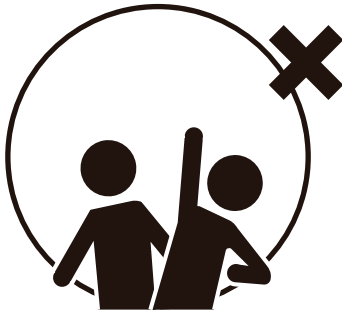
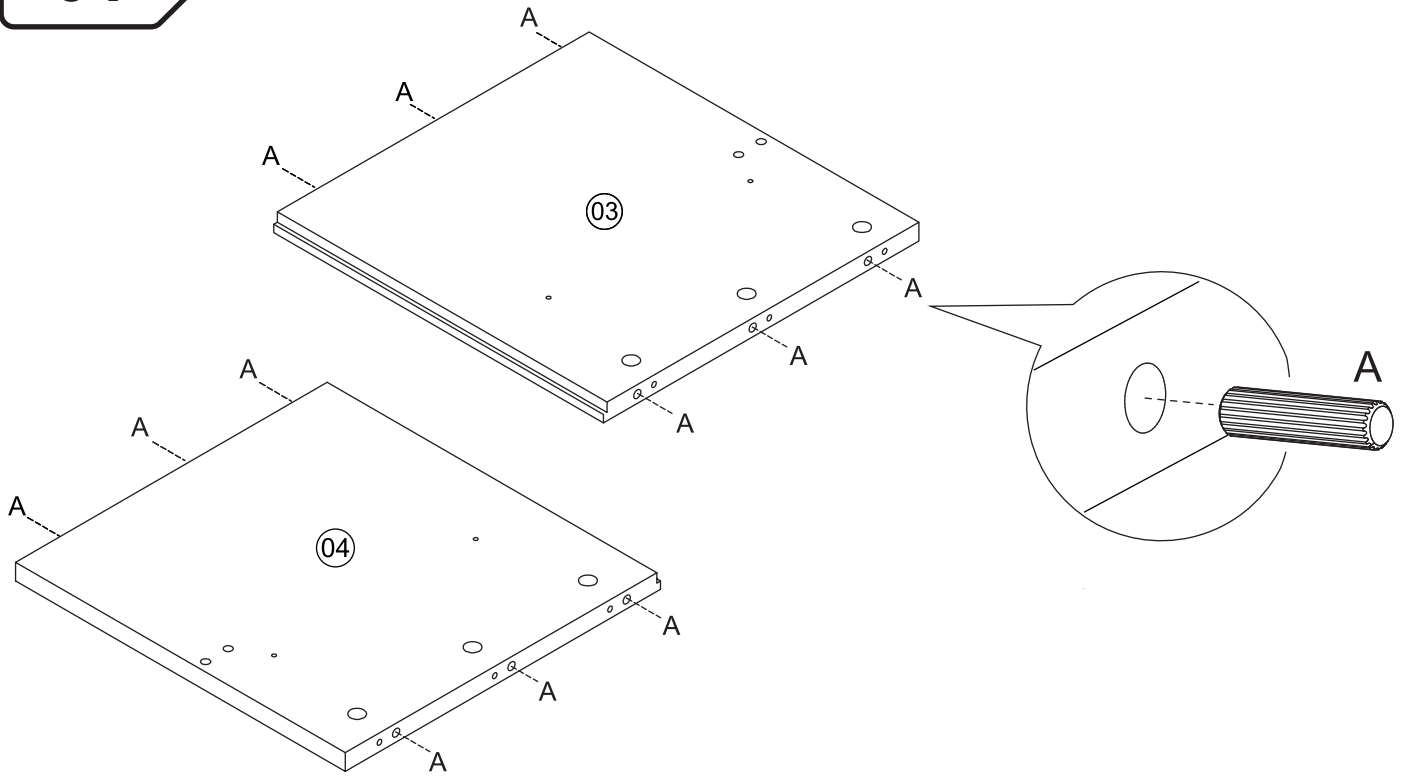


CHARME

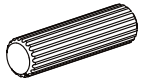




01

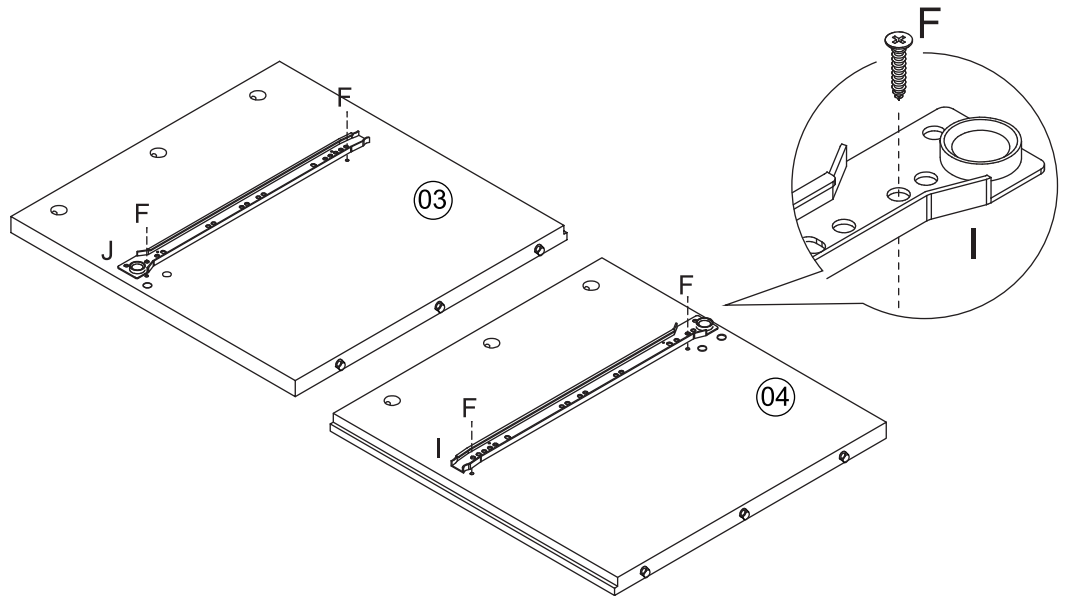


A



12

02



F



04

I



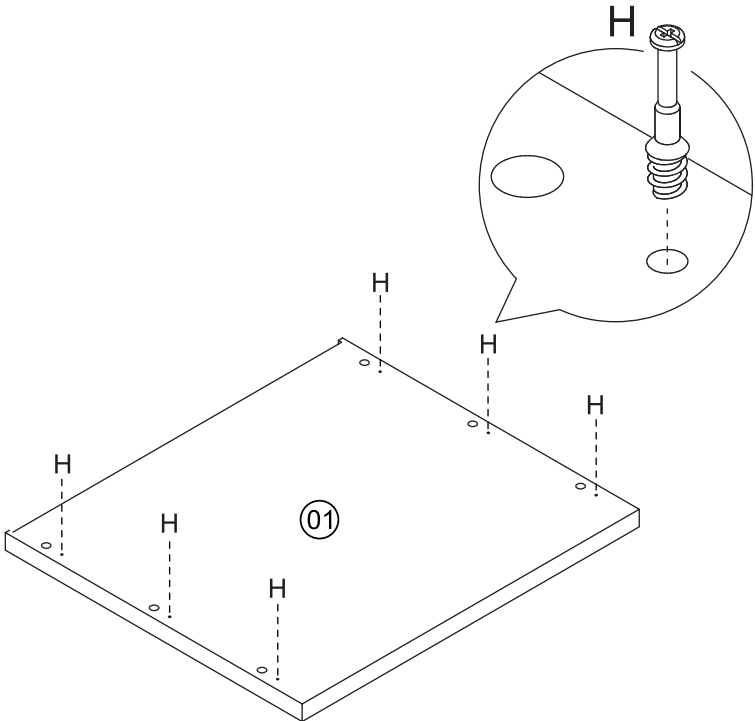
01


J



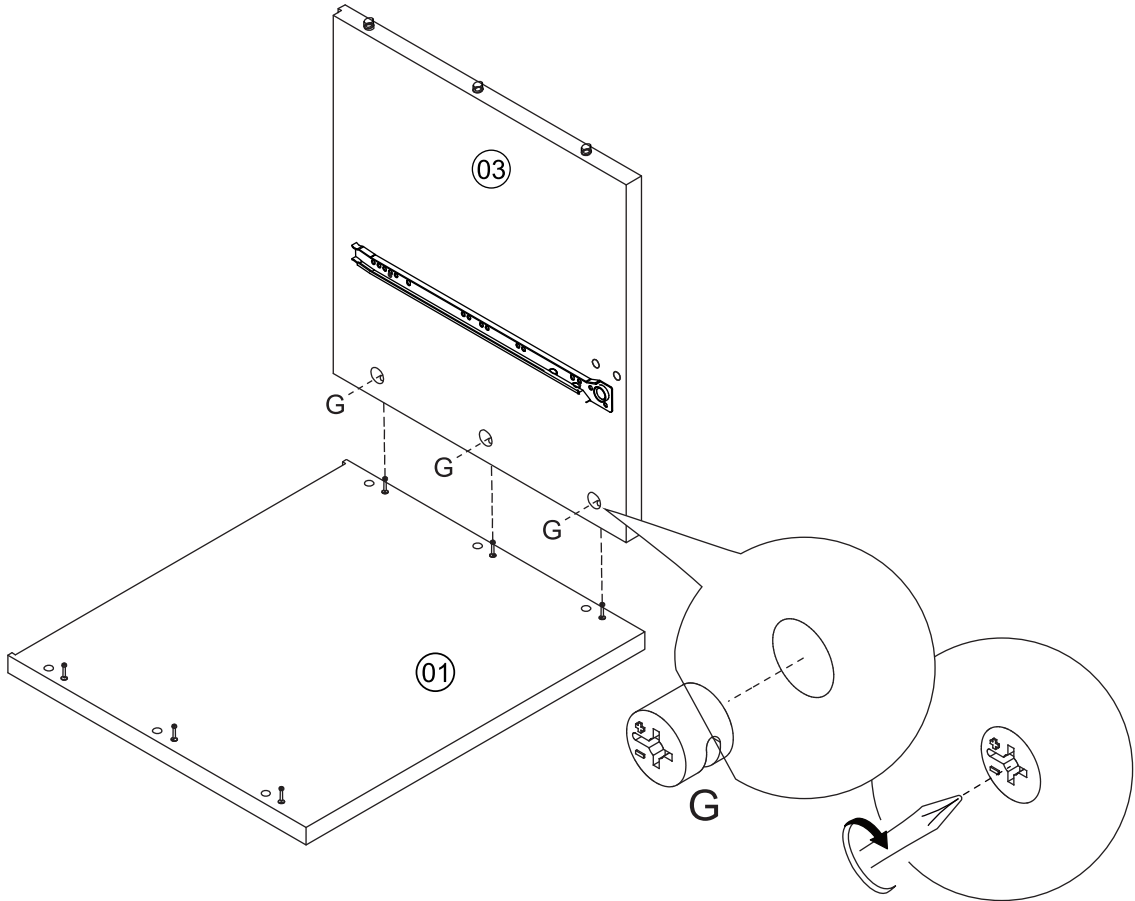
01

03



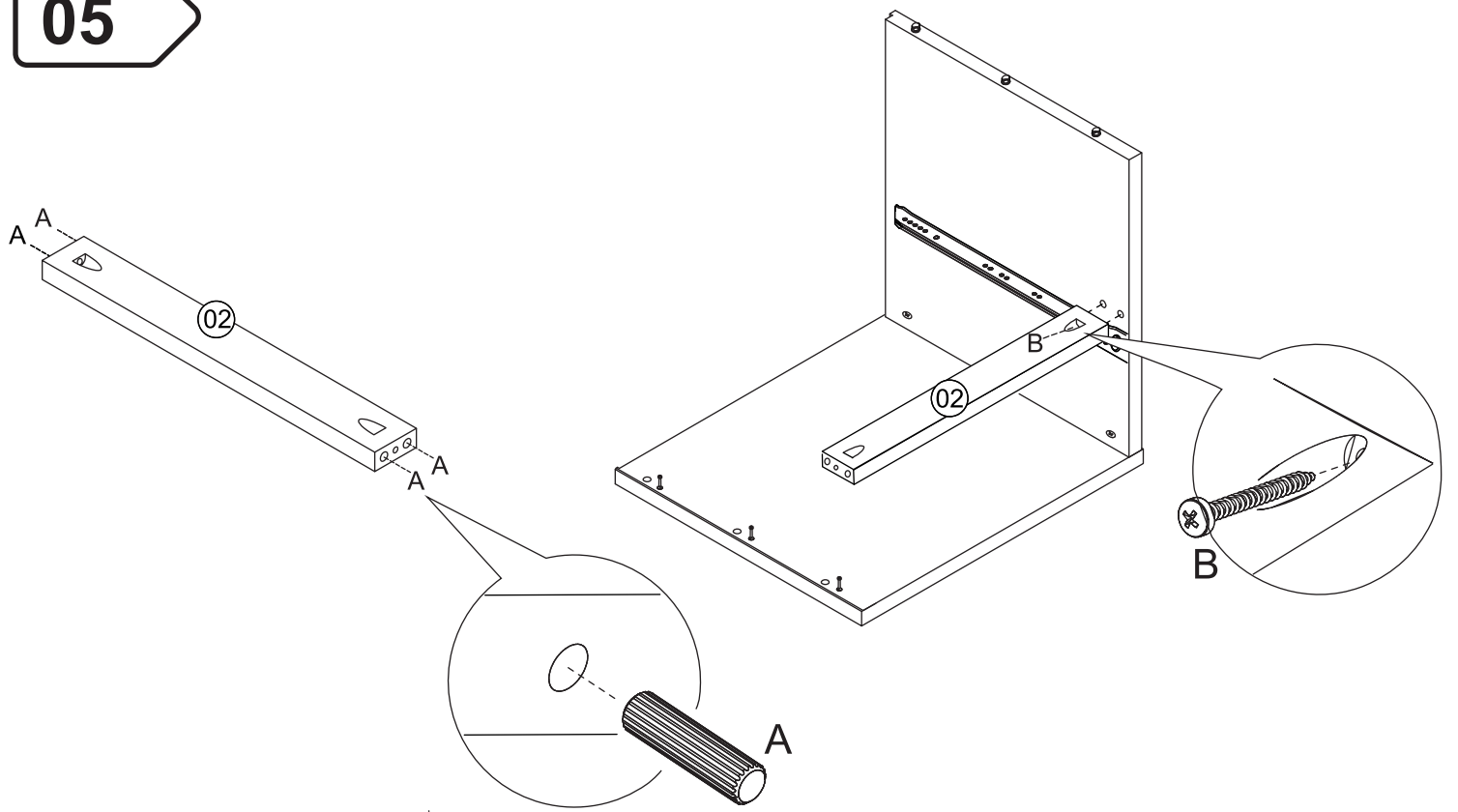
H		06
----------	---	-----------

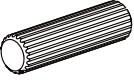
04

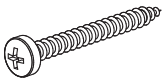


G		03
----------	---	-----------

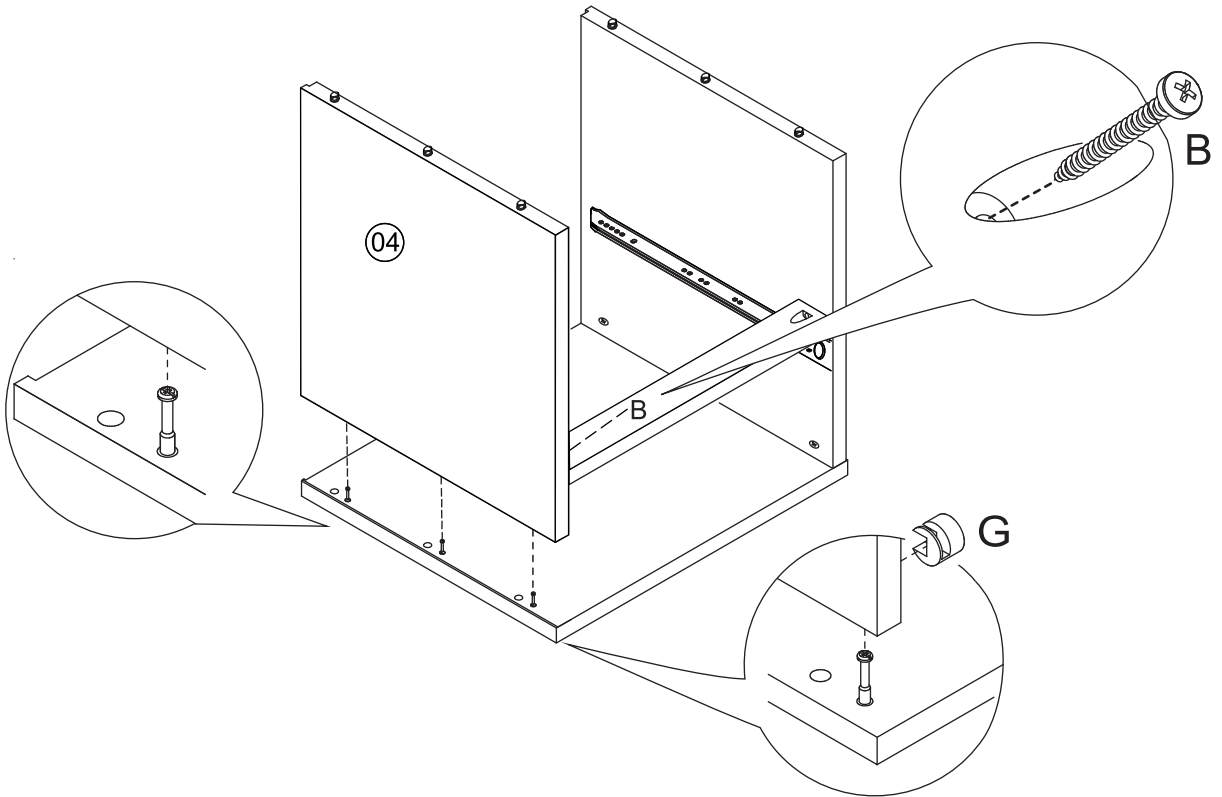
05




A		04
----------	---	-----------

B		01
----------	---	-----------

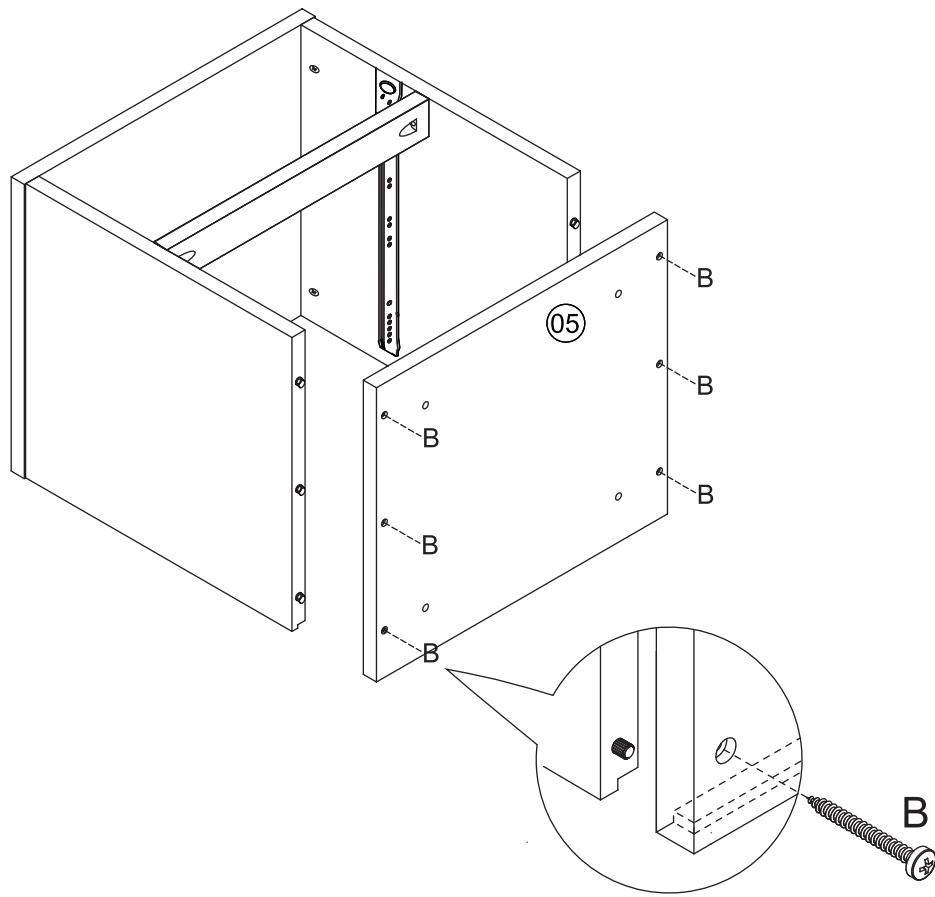
06

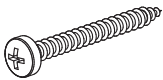


B		01
----------	---	-----------

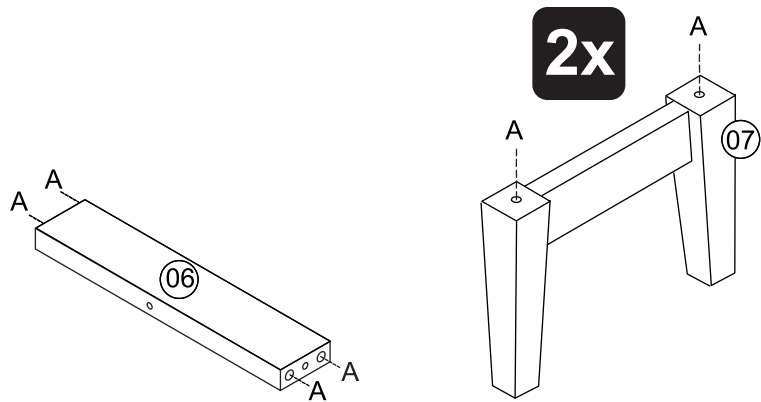
G		03
----------	---	-----------


07



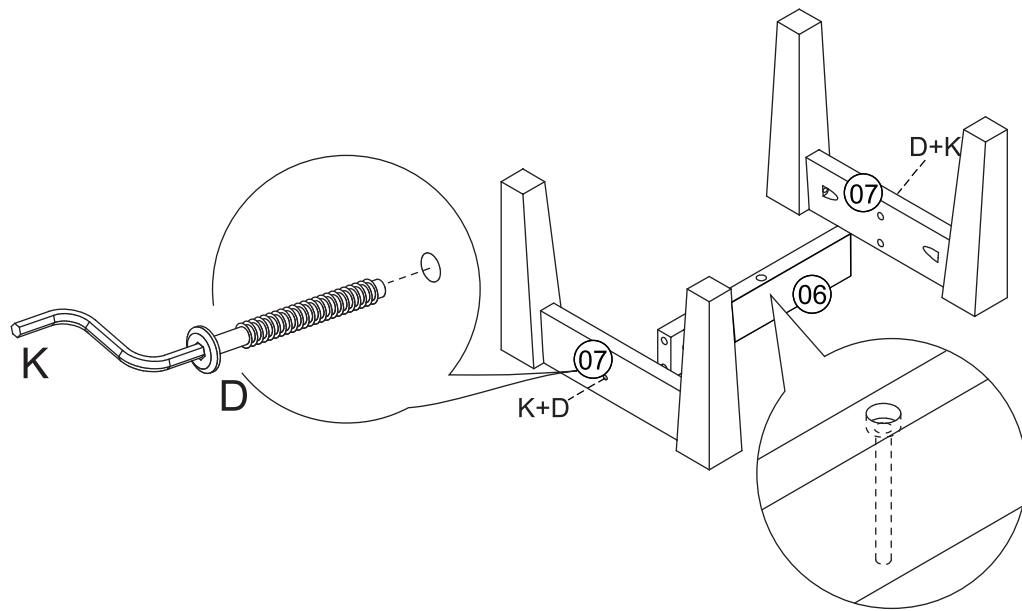
B		06
----------	---	-----------

08



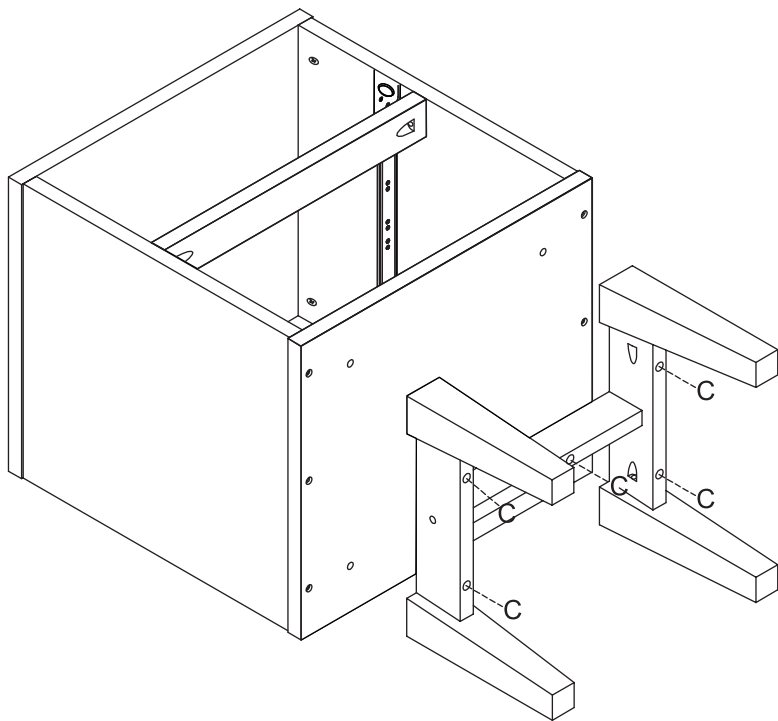
A		08
----------	---	-----------

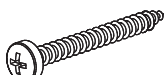
09



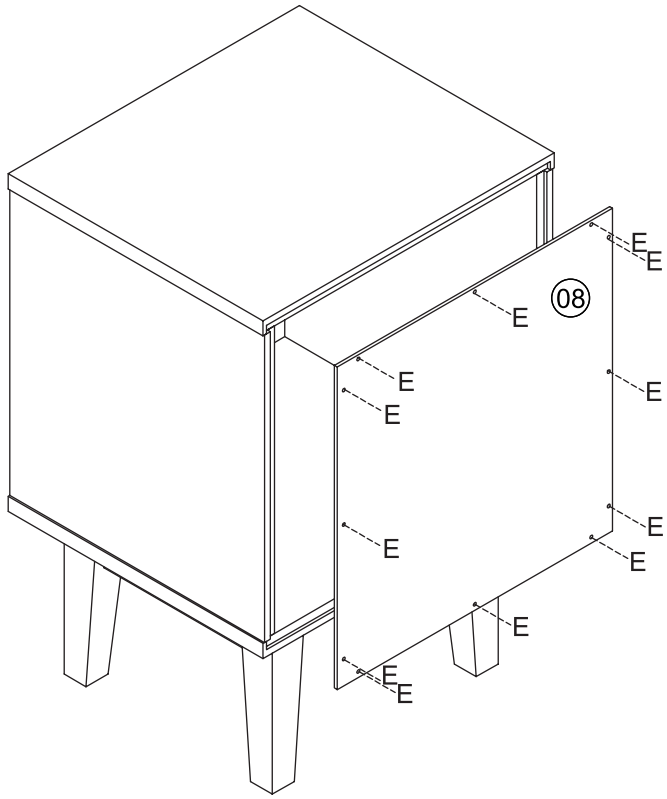
D		02	K		01
----------	---	-----------	----------	---	-----------

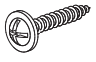
10



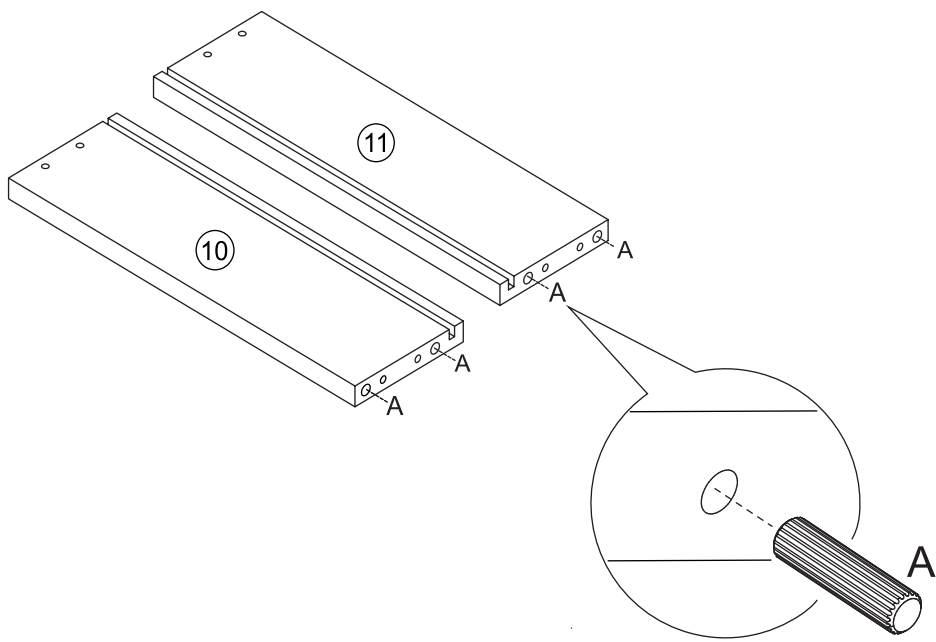
C		05
----------	---	-----------


11



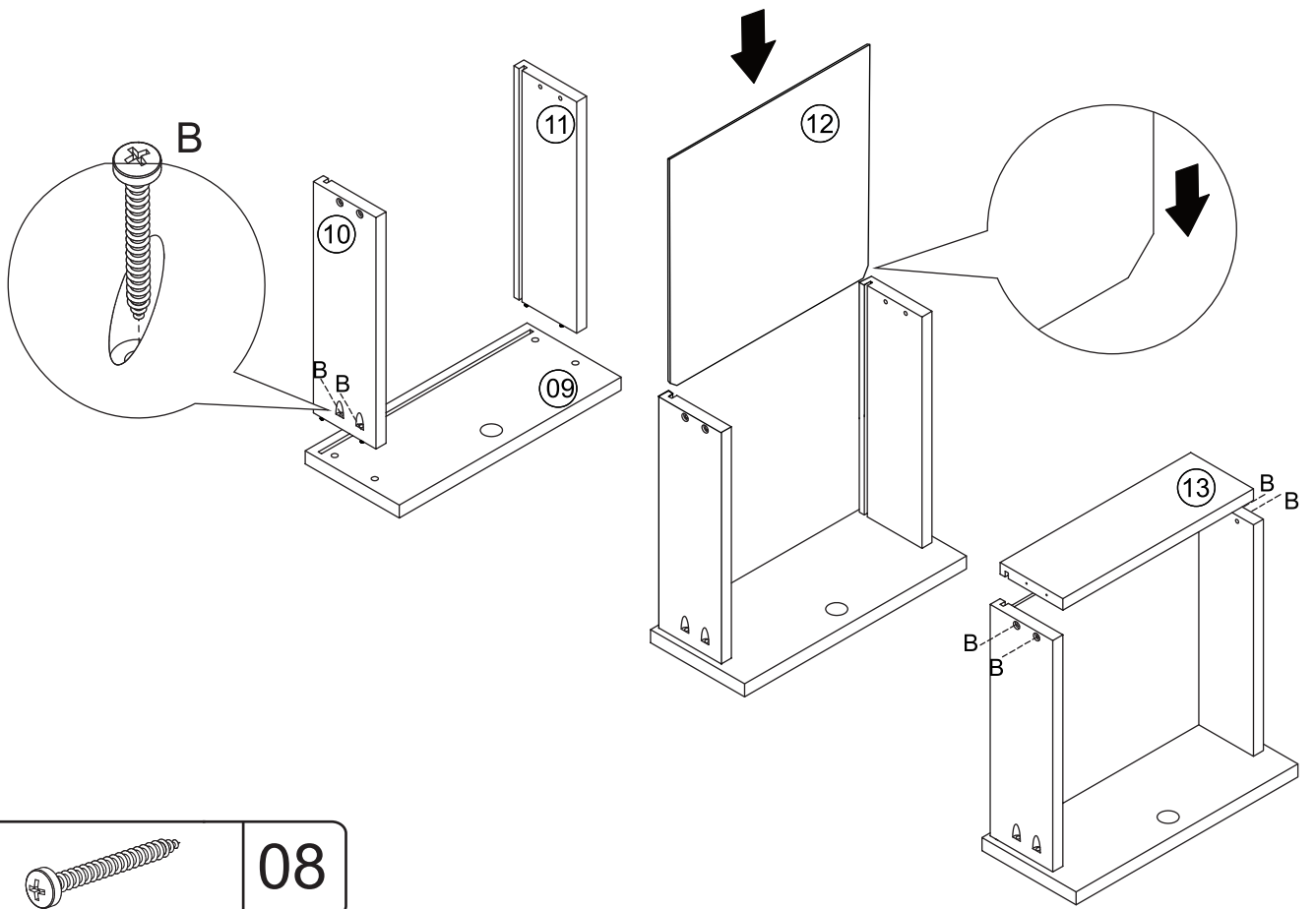
E		12
----------	---	-----------

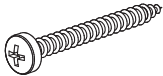
12



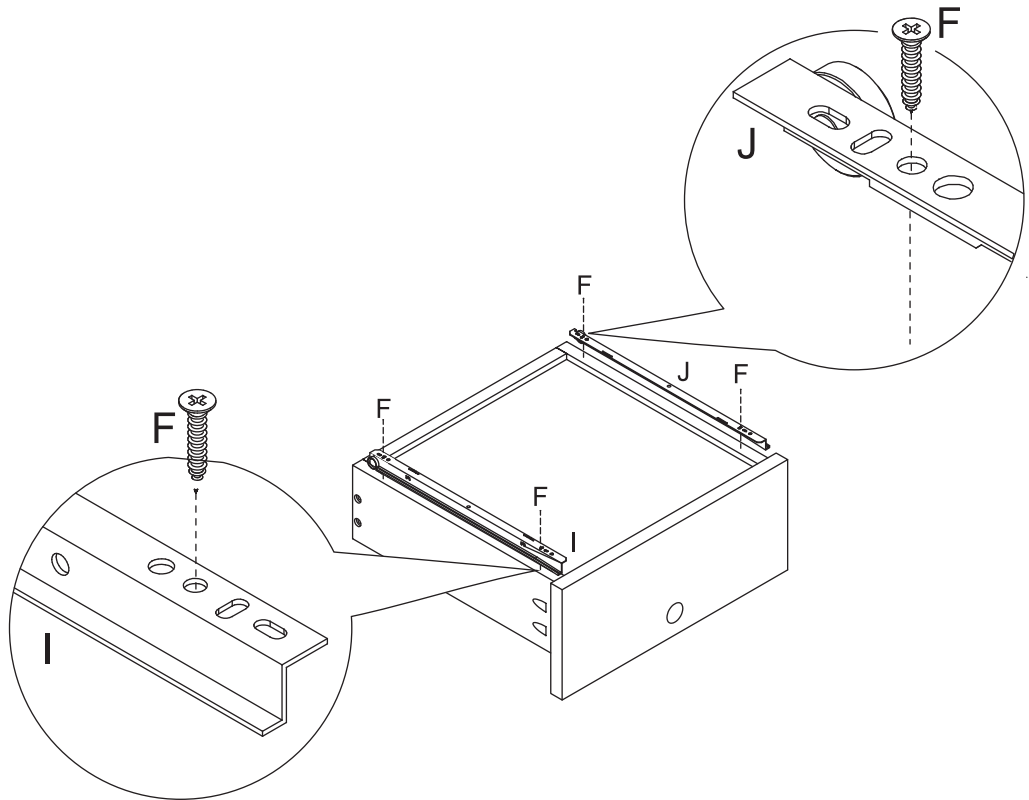
A		04
----------	---	-----------

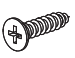
13





B		08
----------	---	-----------

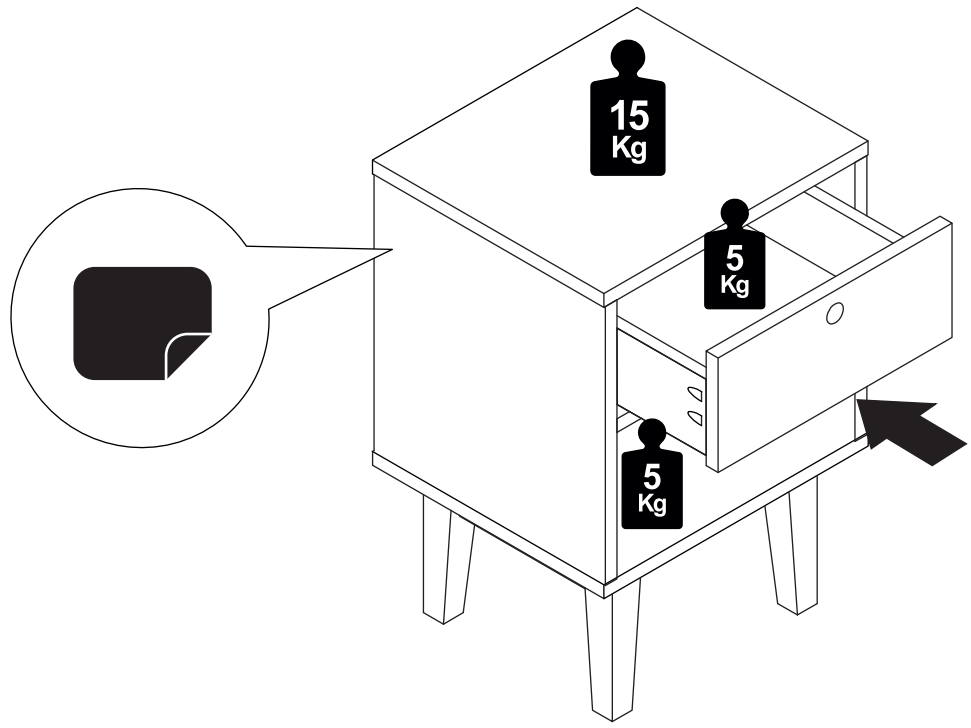
14

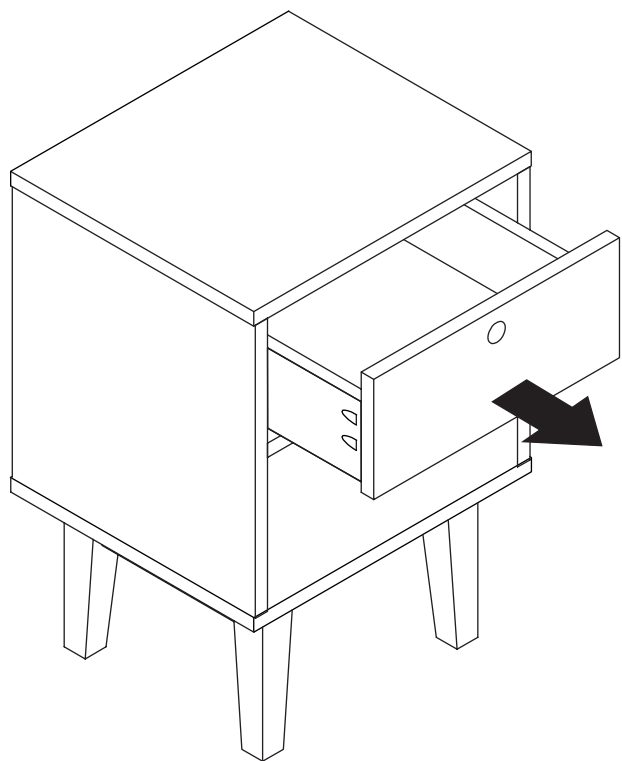


F		04
----------	---	-----------

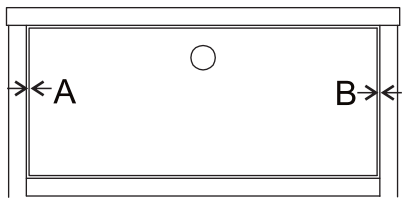
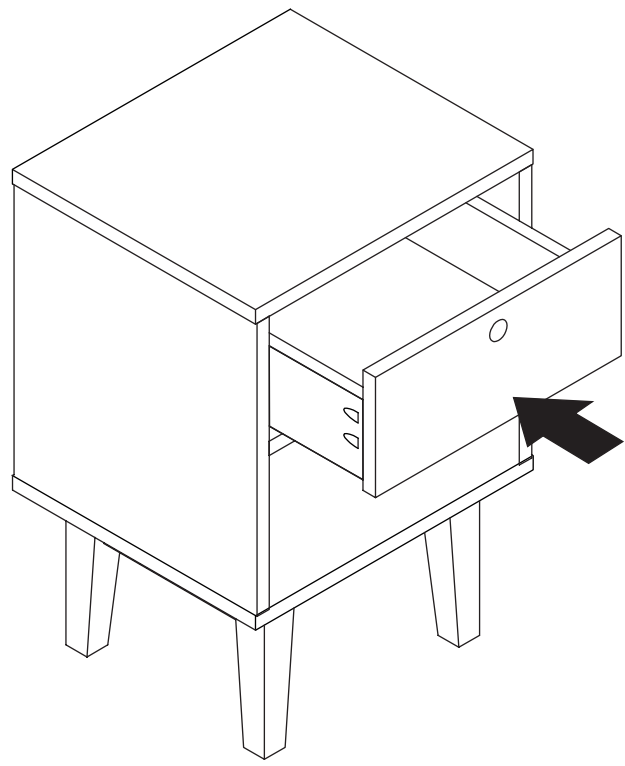
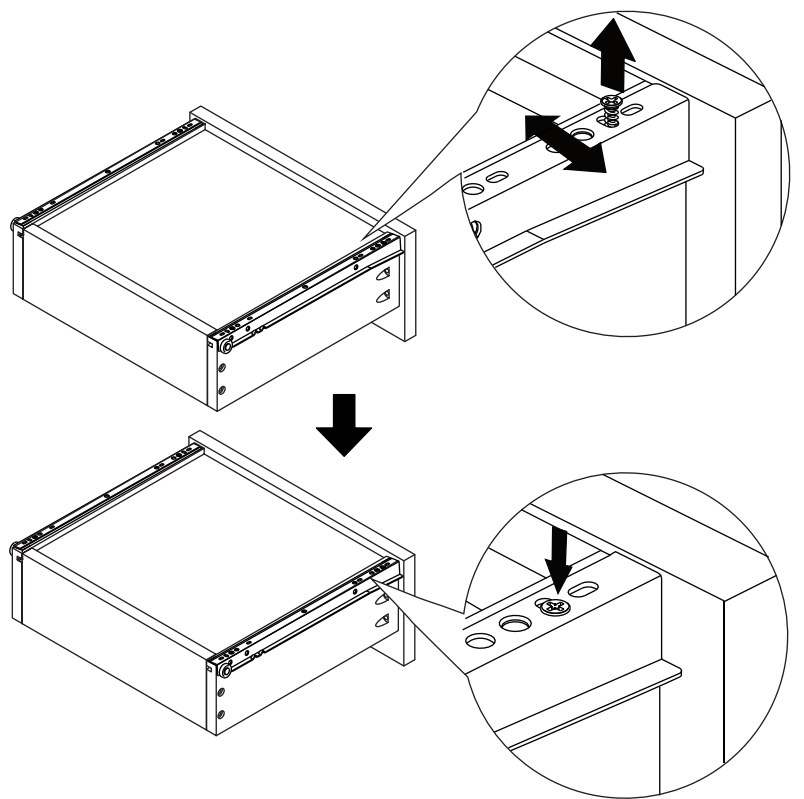
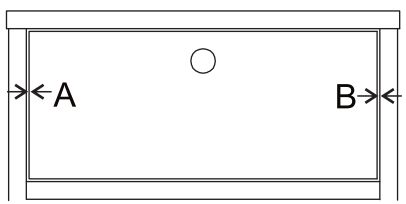
I		01
----------	---	-----------

J		01
----------	---	-----------



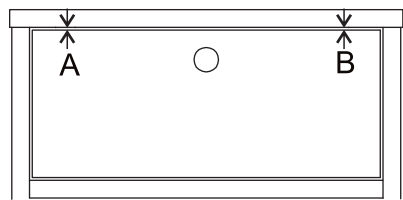
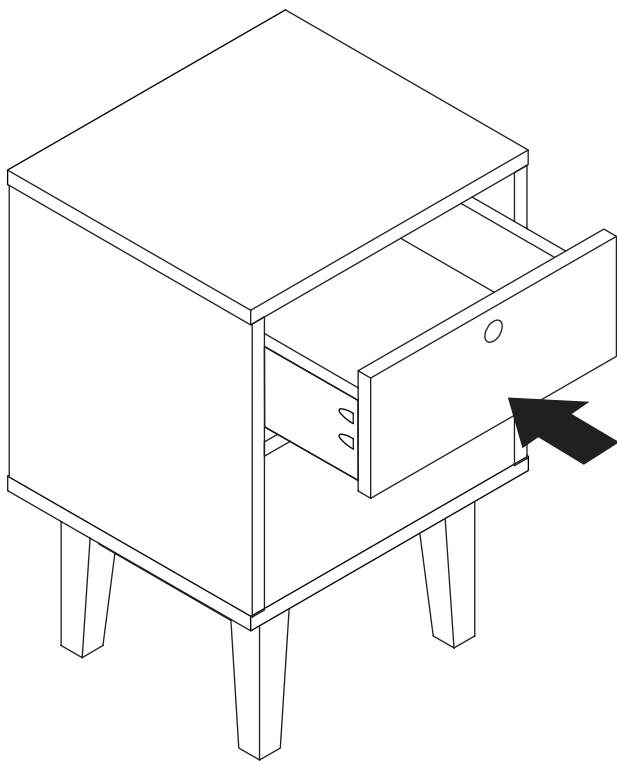
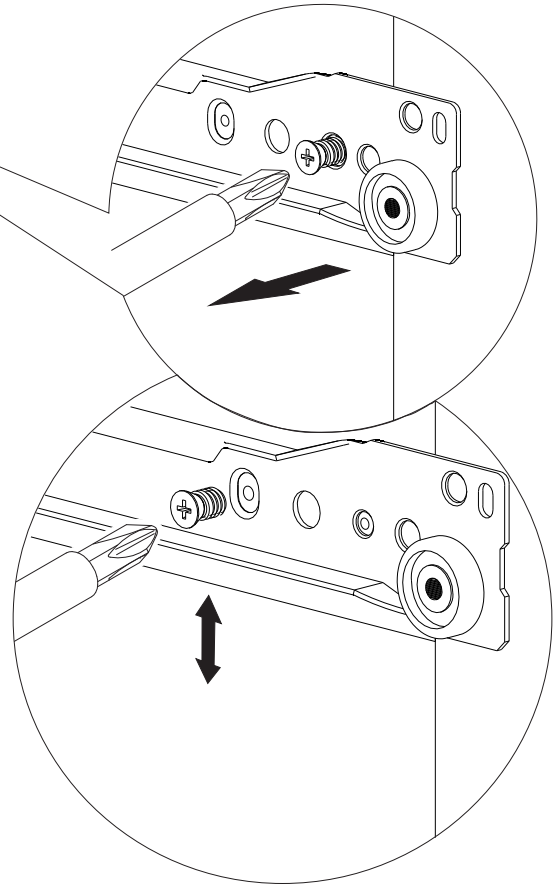
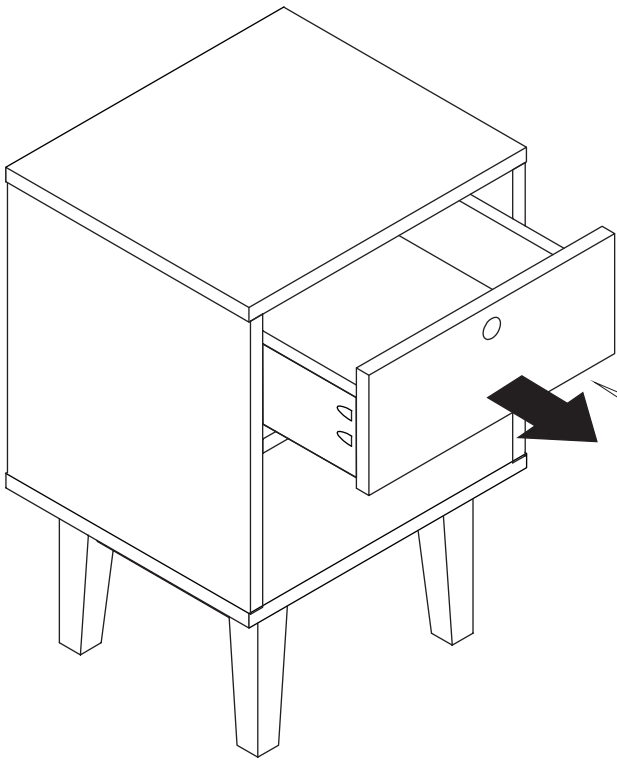
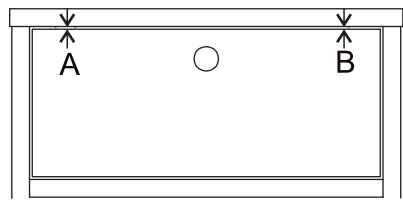


A ≠ B



A = B

A ≠ B



A = B