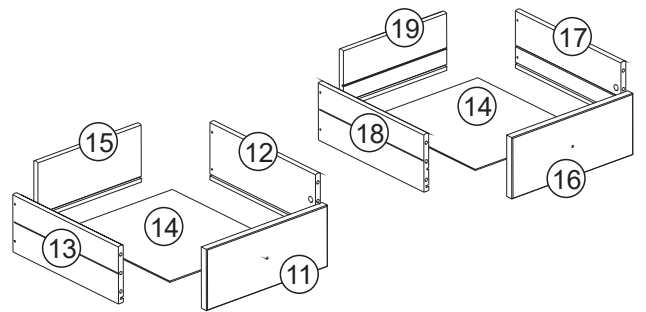
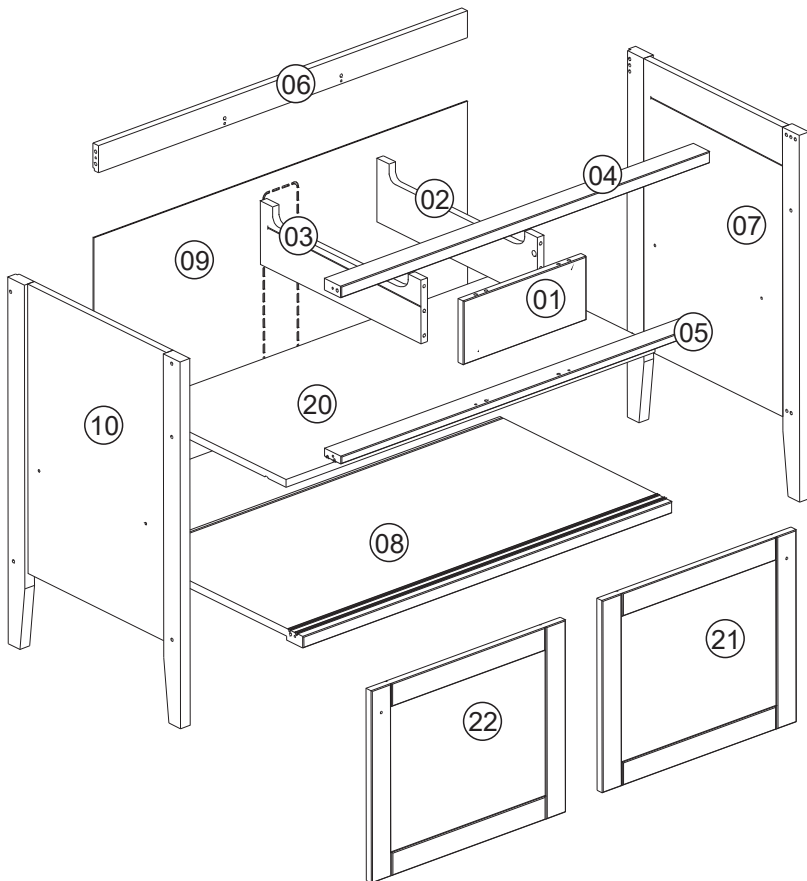
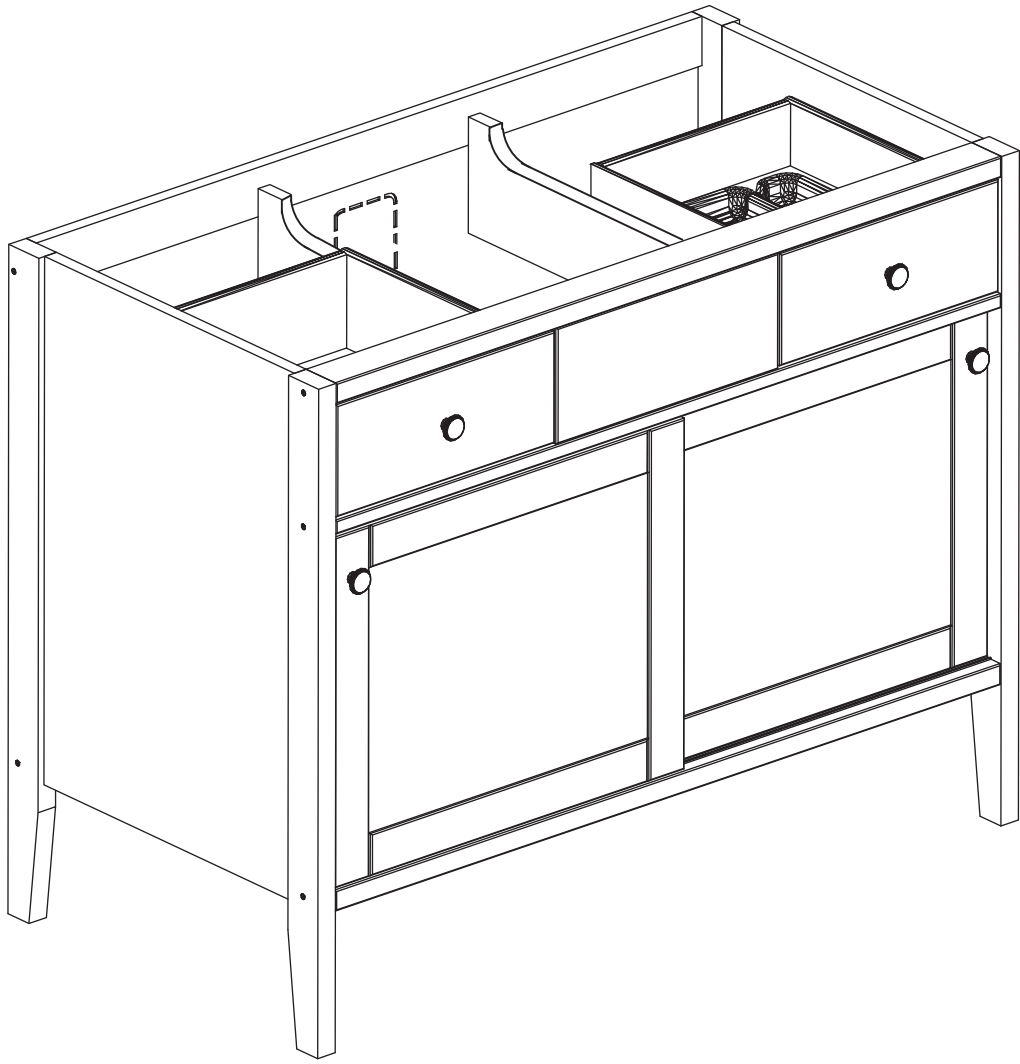
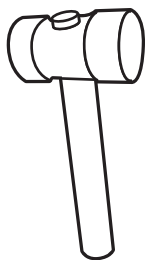
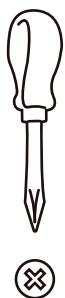
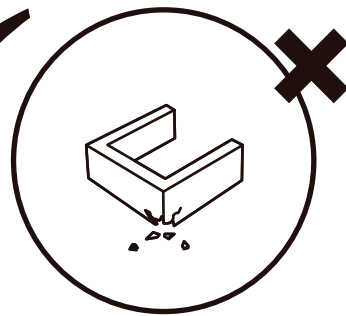
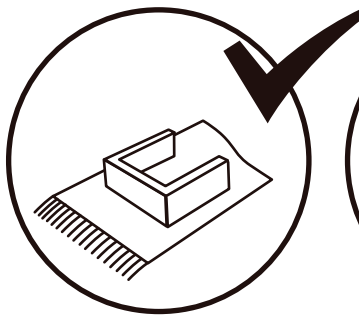
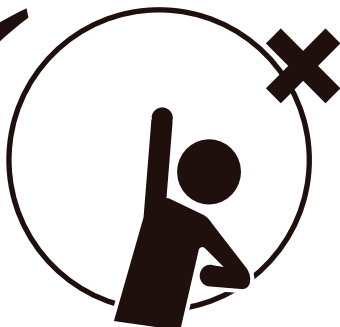
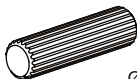
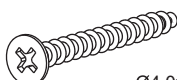


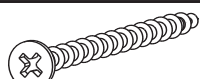
# SABOR CASEIRO




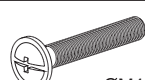


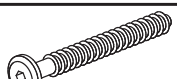
<b>A</b>		<b>34</b>
	<small>Ø8,0x30mm</small>	


<b>B</b>		<b>08</b>
	<small>Ø4,0x40mm</small>	

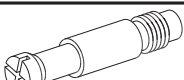
<b>C</b>		<b>02</b>
	<small>Ø4,5x50mm</small>	

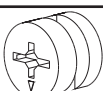
<b>D</b>		<b>36</b>
	<small>Ø3,0x16mm</small>	

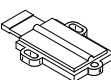
<b>E</b>		<b>04</b>
	<small>ØM4x20mm</small>	


<b>F</b>		<b>10</b>
	<small>Ø7,0x60mm</small>	


<b>G</b>		<b>44</b>
	<small>Ø3,0x16mm</small>	

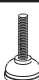
<b>H</b>		<b>10</b>
----------	---	-----------


<b>I</b>		<b>10</b>
----------	---	-----------


<b>J</b>		<b>04</b>
----------	---	-----------

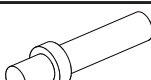
<b>K</b>		<b>04</b>
----------	---	-----------

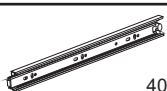
<b>L</b>		<b>04</b>
----------	---	-----------

<b>M</b>		<b>04</b>
----------	---	-----------


<b>N</b>		<b>01</b>
----------	---	-----------

<b>O</b>		<b>04</b>
----------	---	-----------

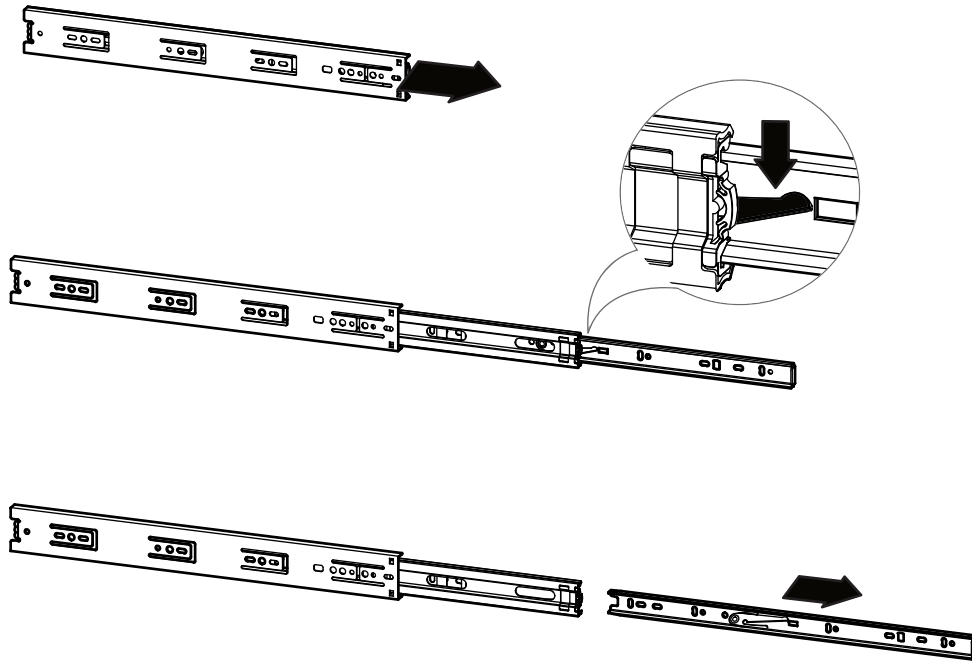
<b>P</b>		<b>01</b>
----------	---	-----------

<b>Q</b>		<b>04</b>
	<small>400mm</small>	

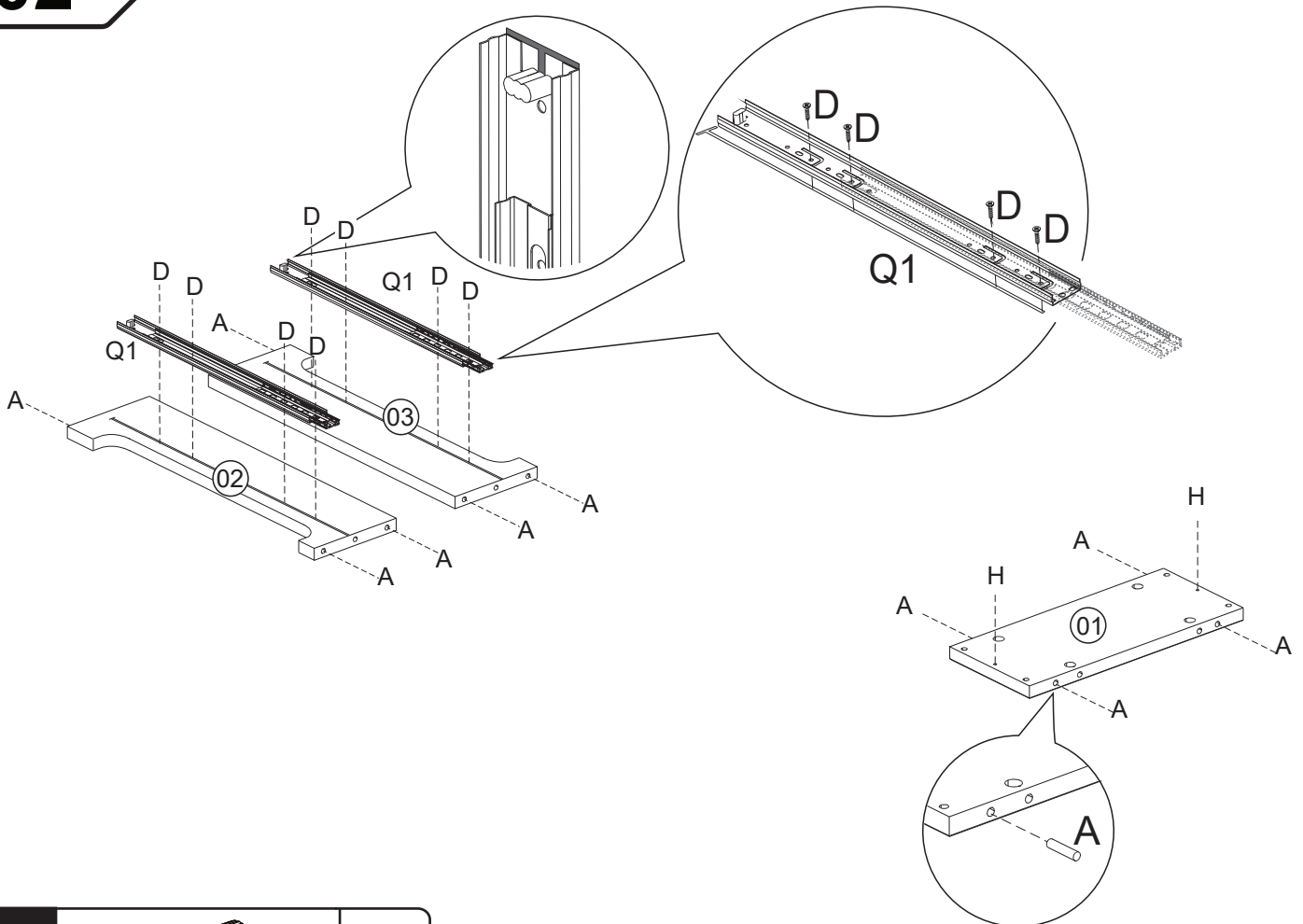
<b>R</b>		<b>01</b>
----------	---	-----------

<b>S</b>		<b>01</b>
----------	---	-----------

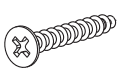
01

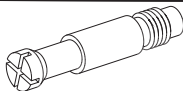



02



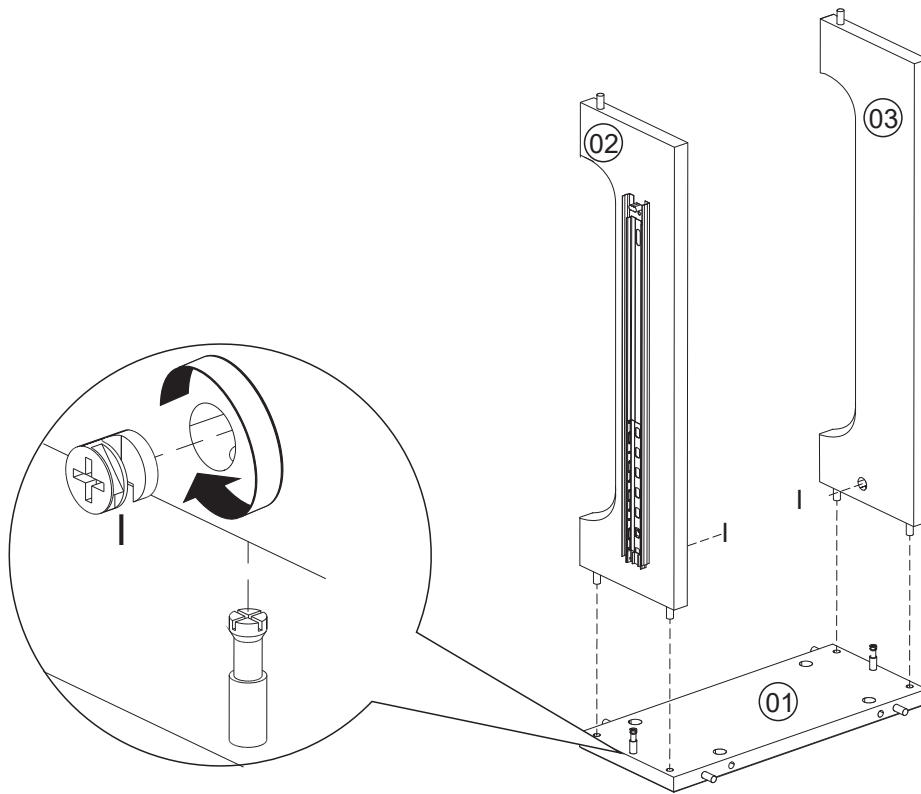
<b>A</b>		10
----------	---	----

<b>D</b>		08
----------	---	----

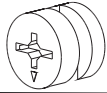
<b>H</b>		02
----------	---	----

<b>Q1</b>		02
-----------	---	----

03

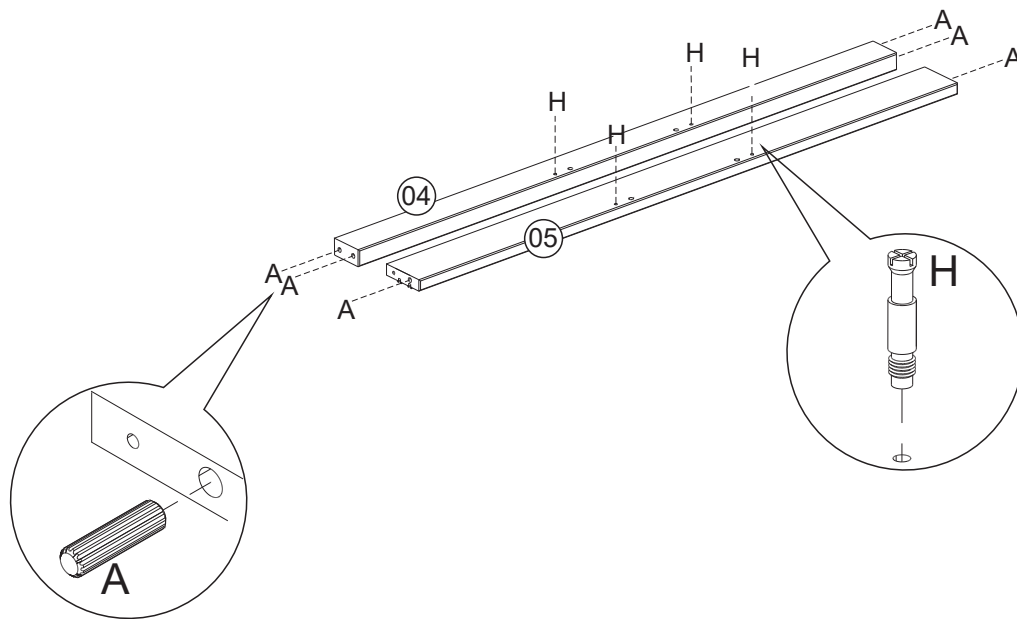


I



02

04

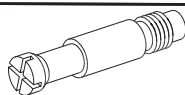


A



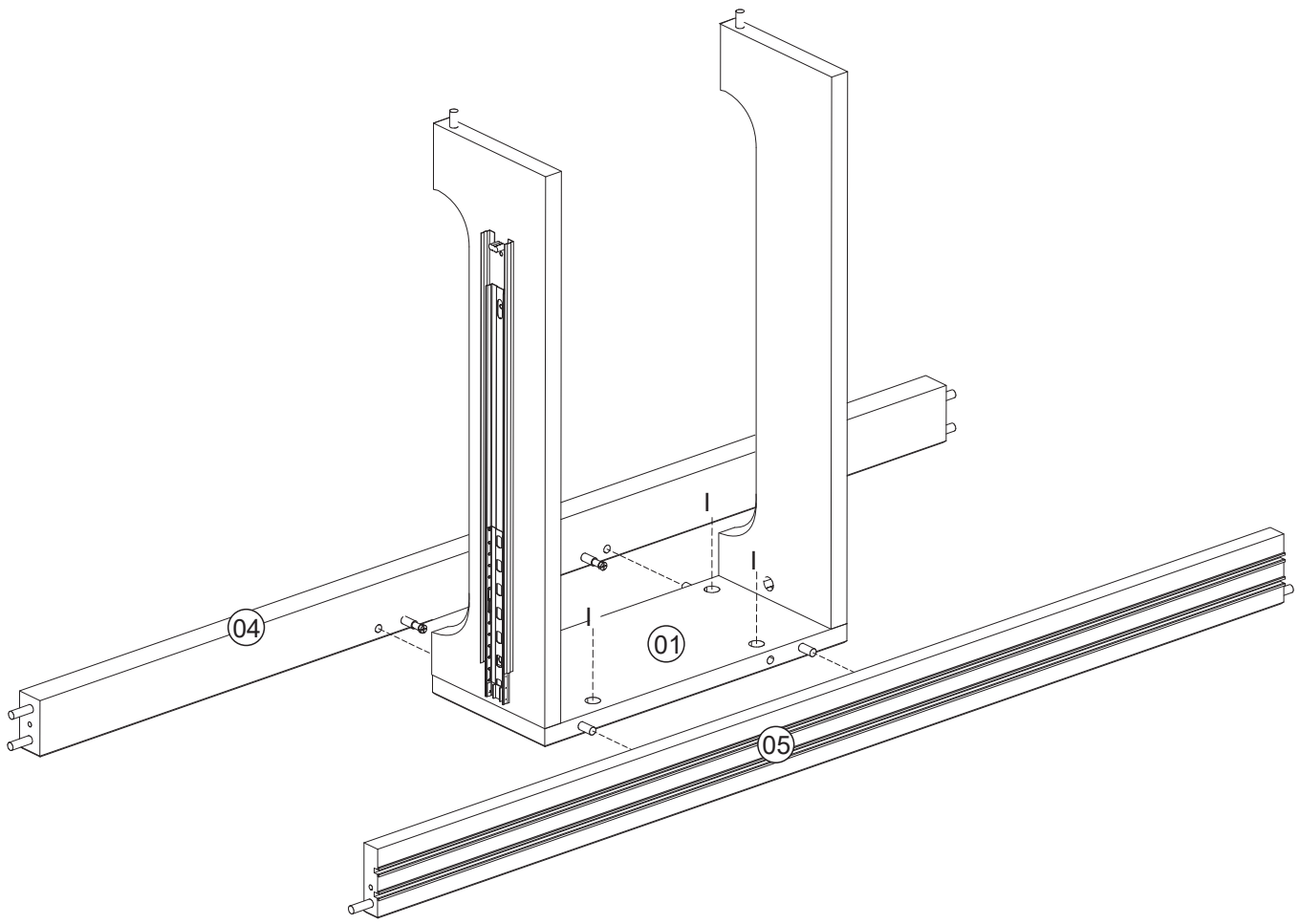
06


H



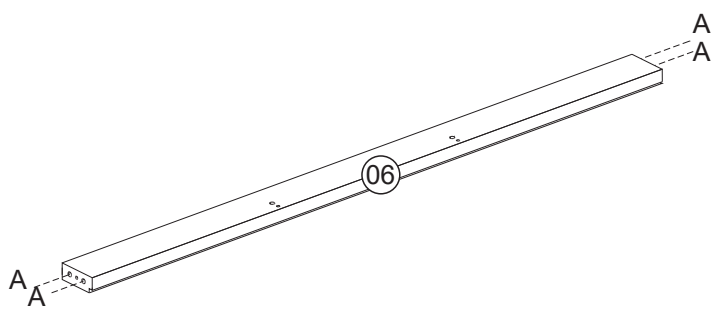
04


05



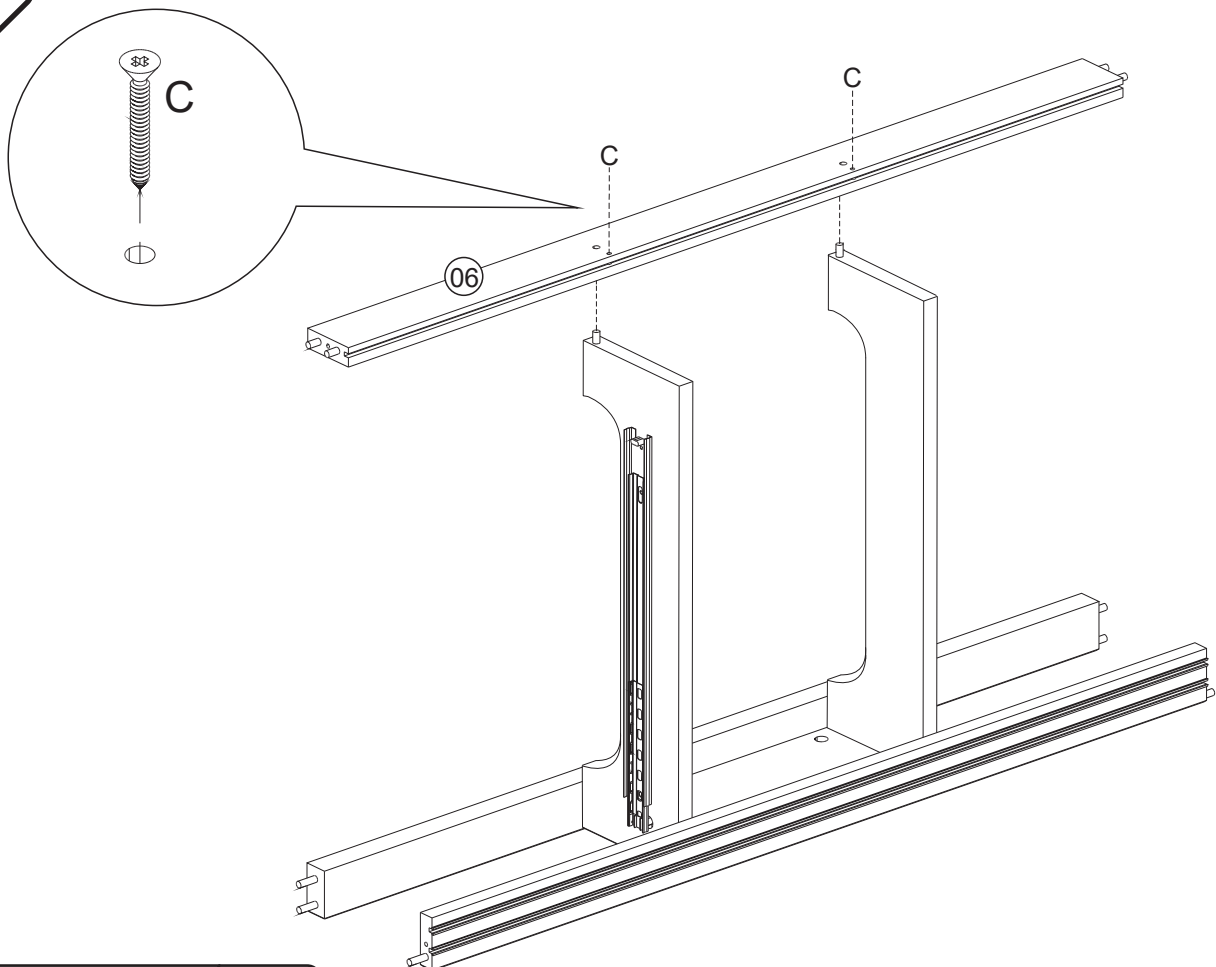
I		04
---	---	----

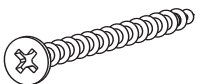
06



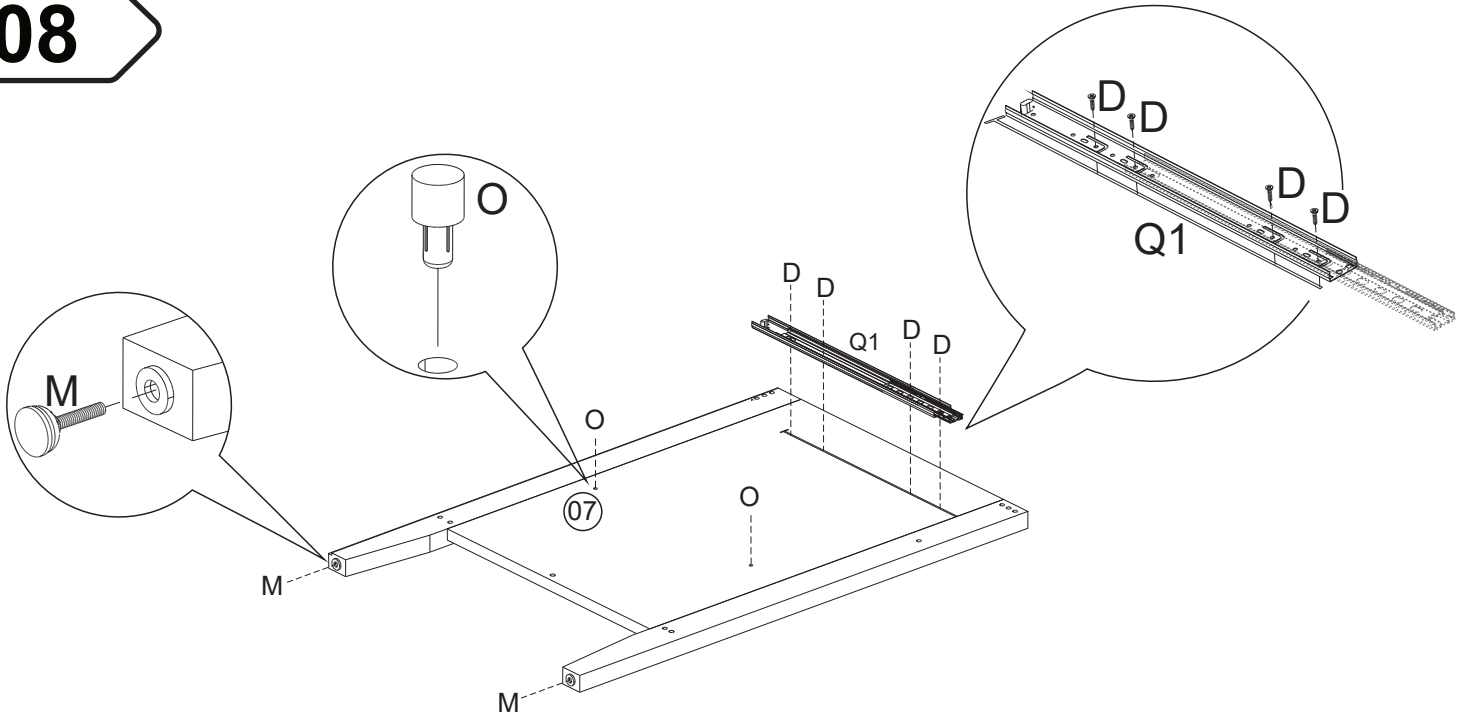
A		04
---	---	----

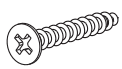
# 07

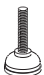


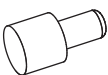
<b>C</b>		<b>02</b>
----------	---	-----------


# 08



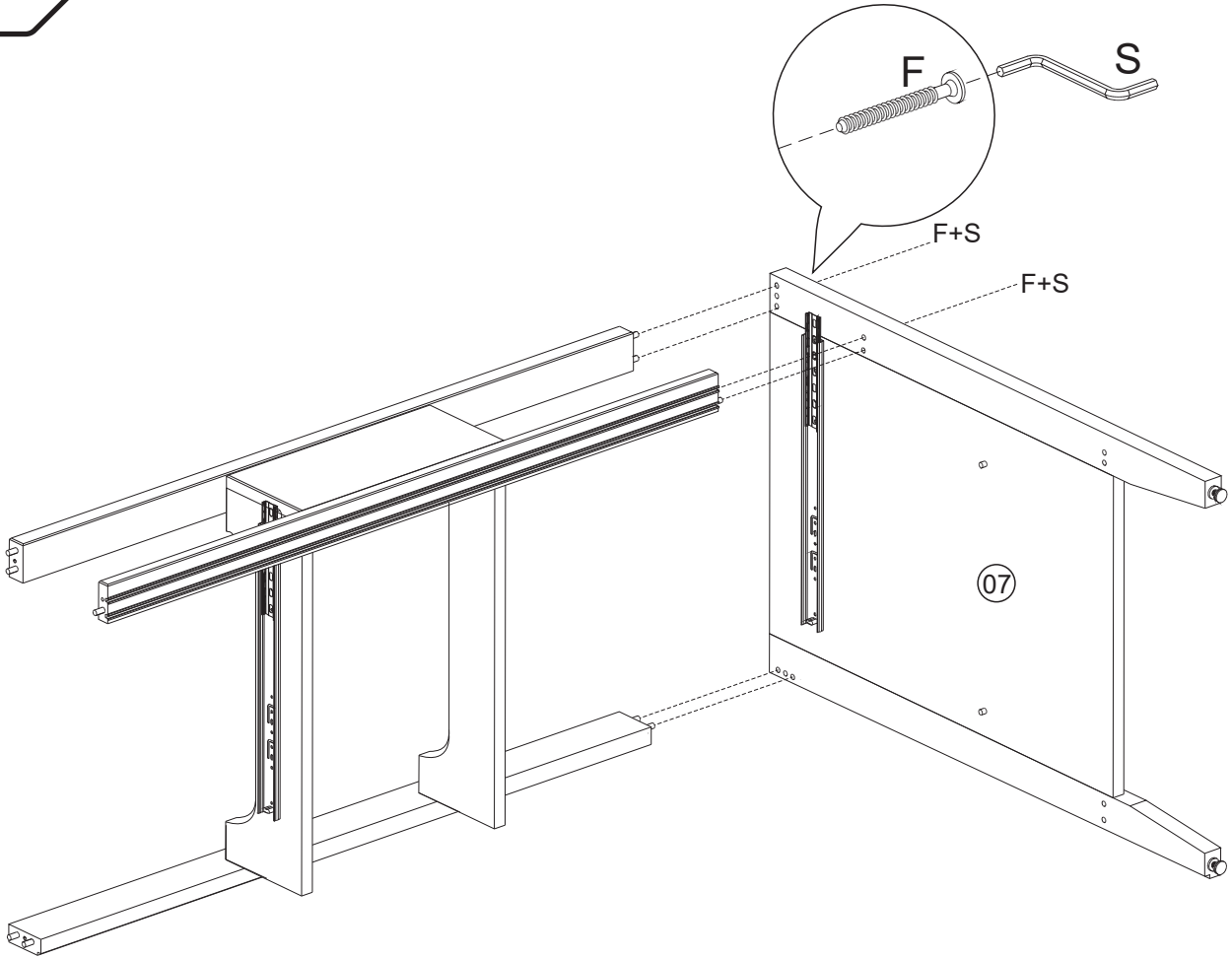
<b>D</b>		<b>04</b>
----------	---	-----------

<b>M</b>		<b>02</b>
----------	---	-----------

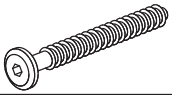
<b>O</b>		<b>02</b>
----------	---	-----------

<b>Q1</b>		<b>01</b>
-----------	---	-----------

09

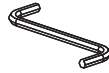


F



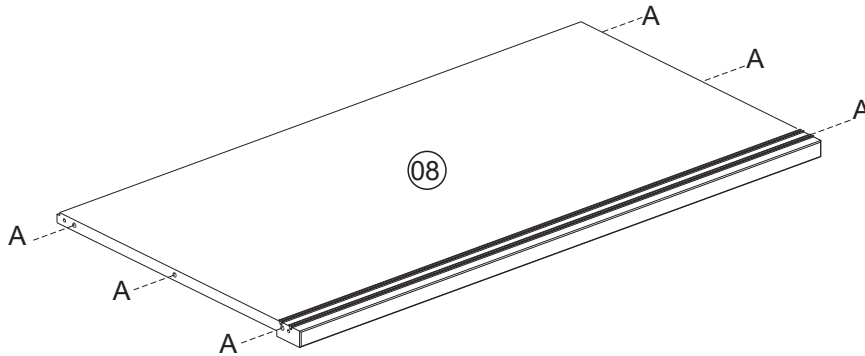
03

S

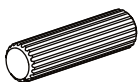


01

10



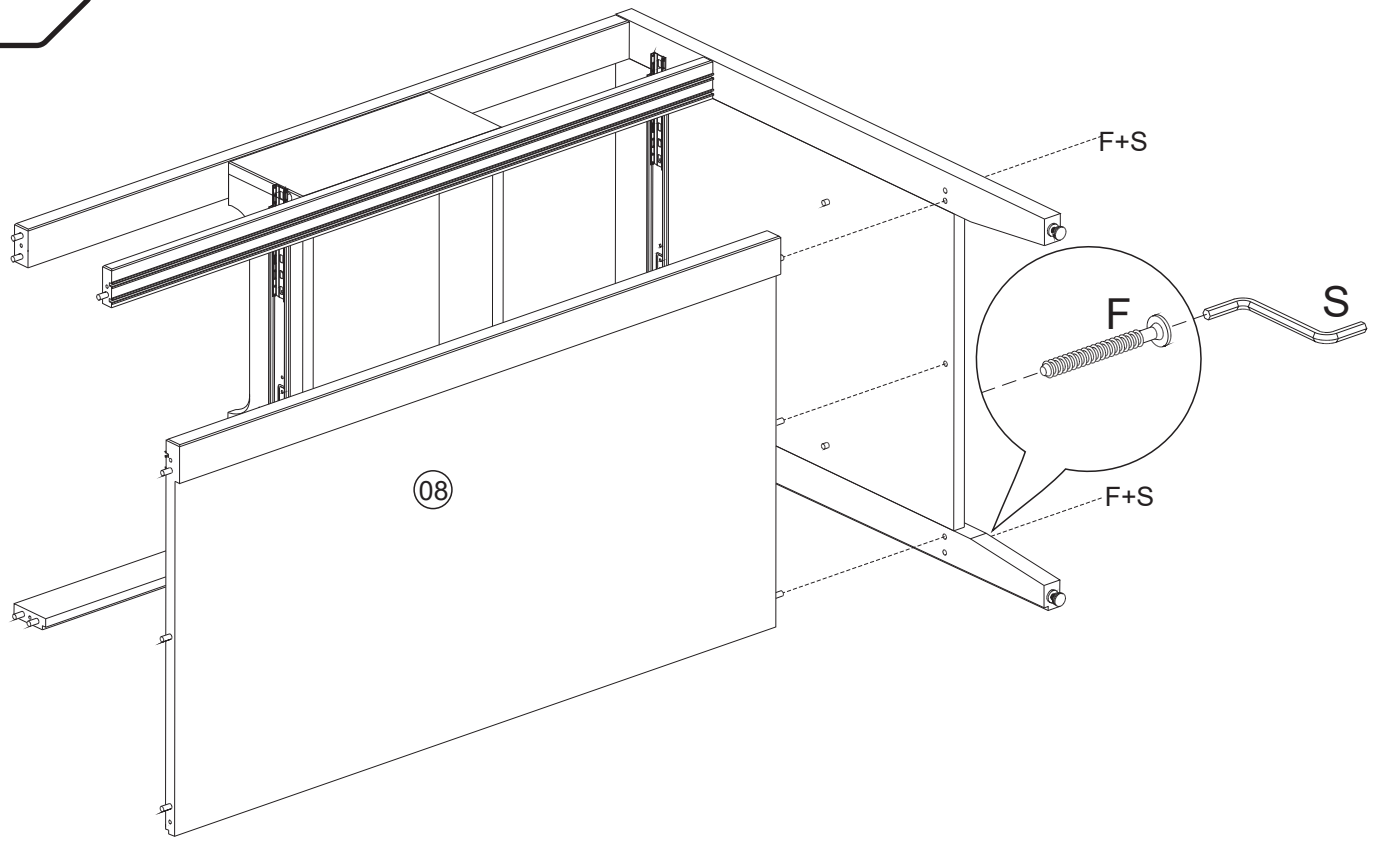
A



06

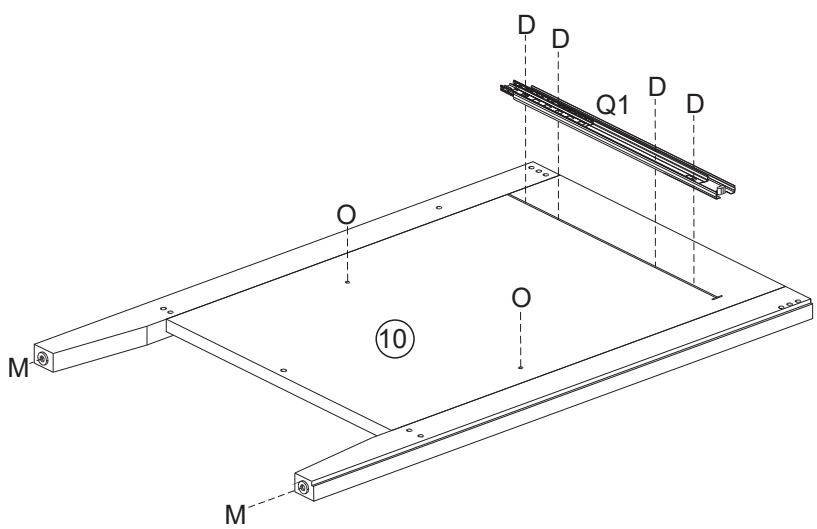


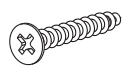
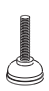
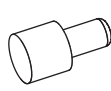

# 11



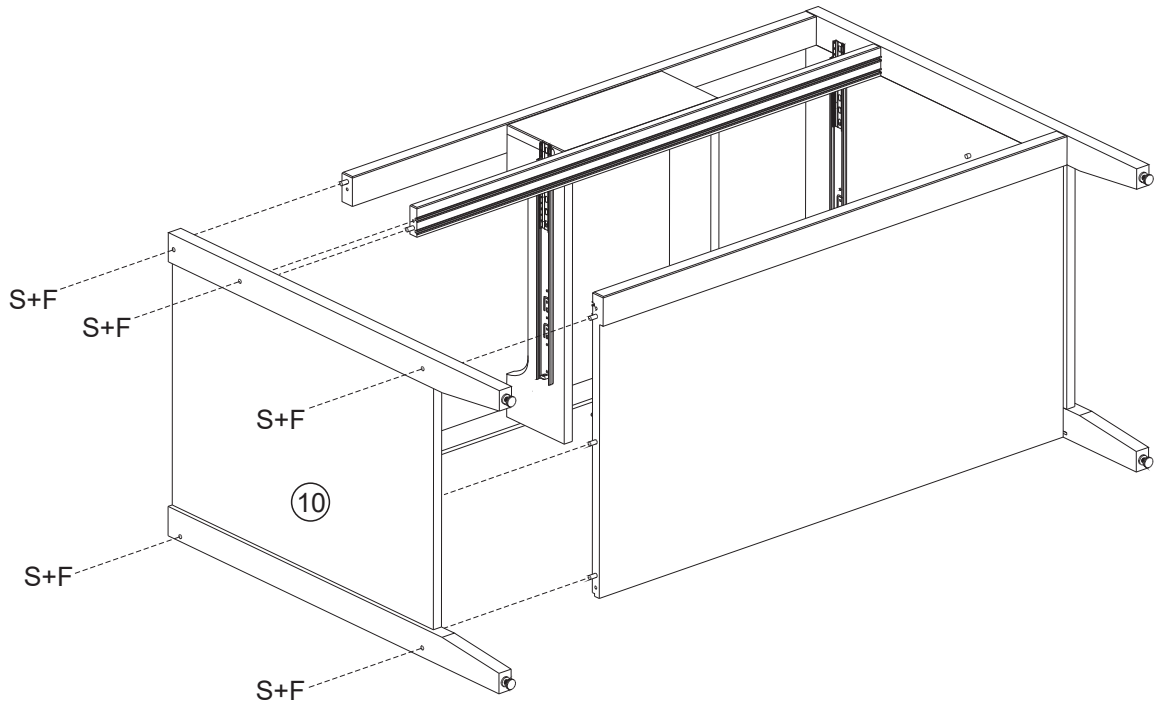
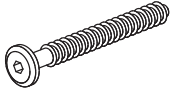
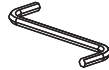
- |          |  |    |          |  |    |
|----------|--|----|----------|--|----|
| <b>F</b> |  | 02 | <b>S</b> |  | 01 |
|----------|--|----|----------|--|----|

# 12

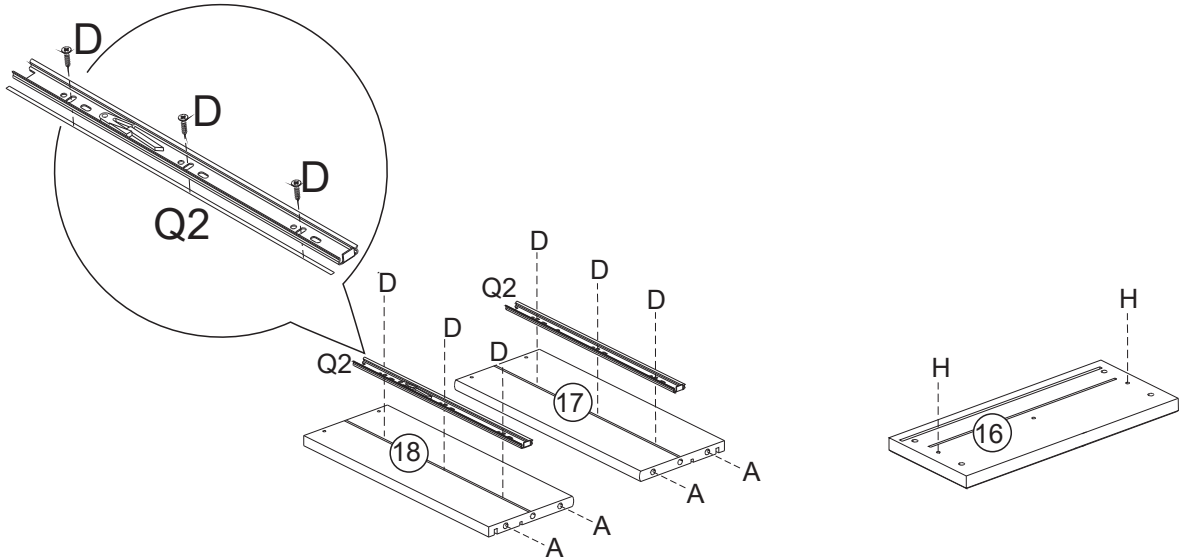


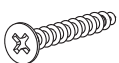
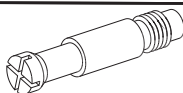
- |          |   |    |          |   |    |          |   |    |           |   |    |
|----------|---|----|----------|---|----|----------|---|----|-----------|---|----|
| <b>D</b> |  | 04 | <b>M</b> |  | 02 | <b>O</b> |  | 02 | <b>Q1</b> |  | 01 |
|----------|---|----|----------|---|----|----------|---|----|-----------|---|----|

# 13


**F**

**05**
**S**

**01**

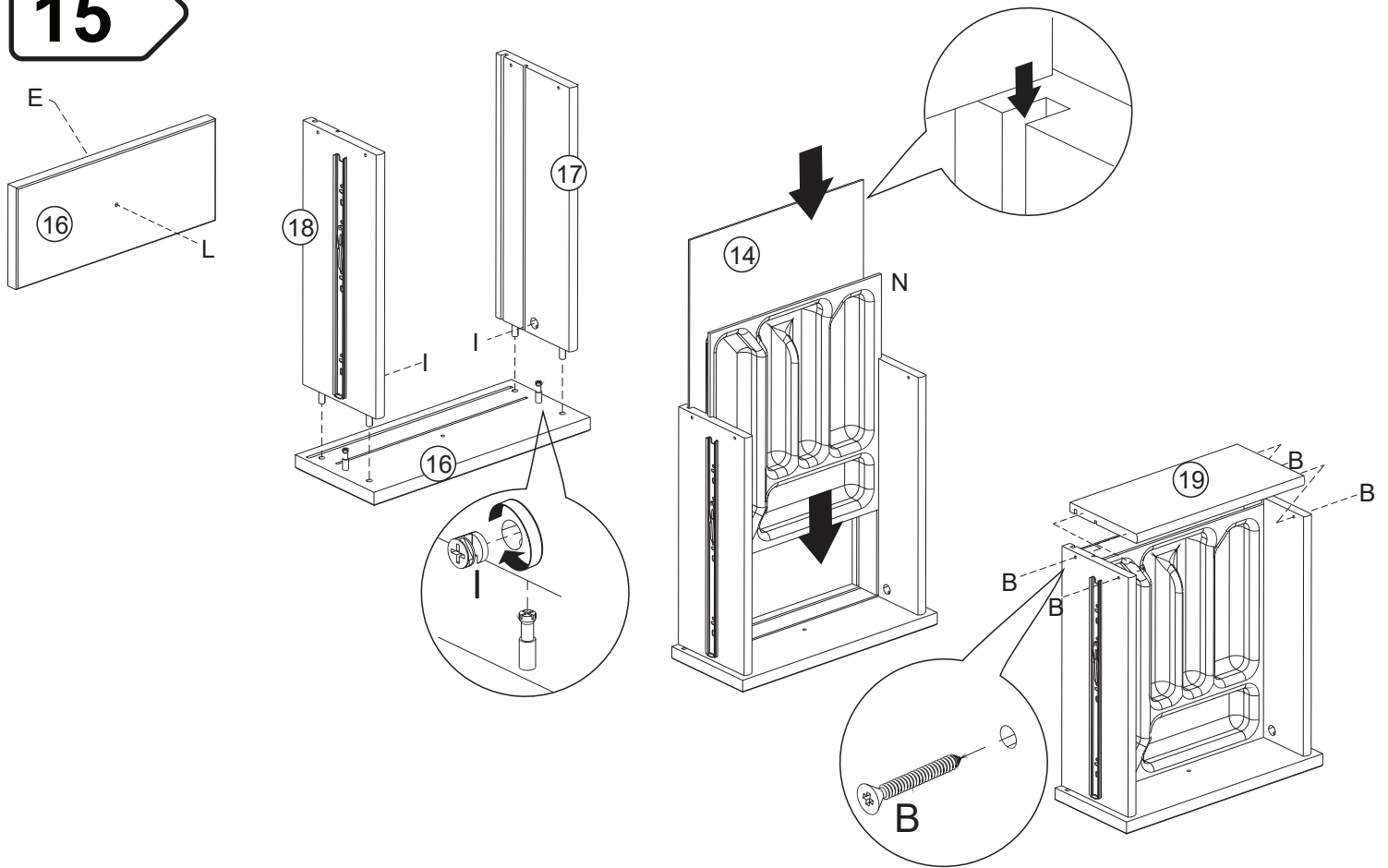
# 14

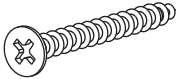
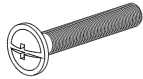
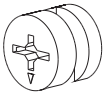



**A**

**04**
**D**

**06**
**H**

**02**
**Q2**

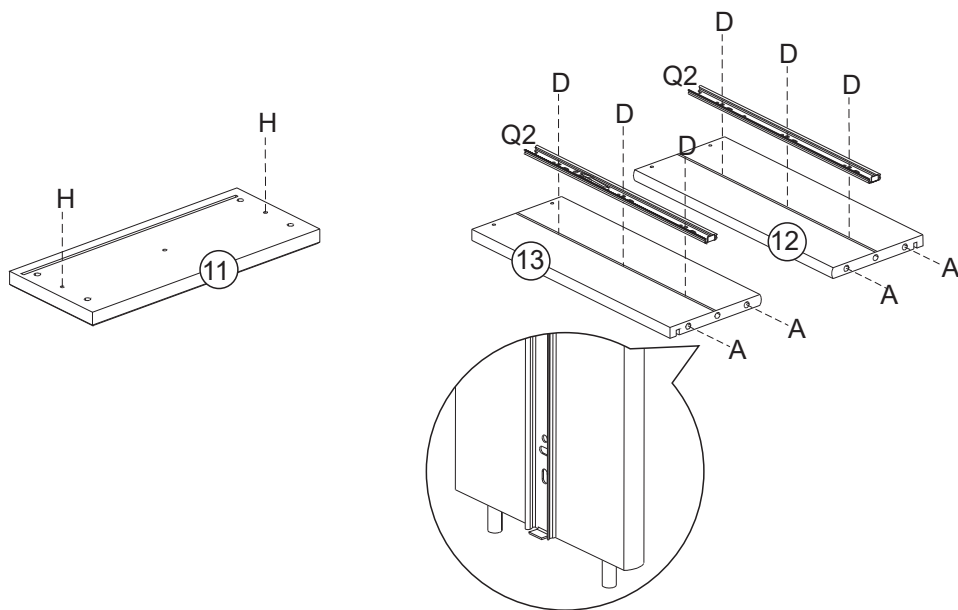
**02**


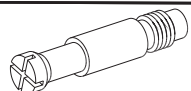


# 15



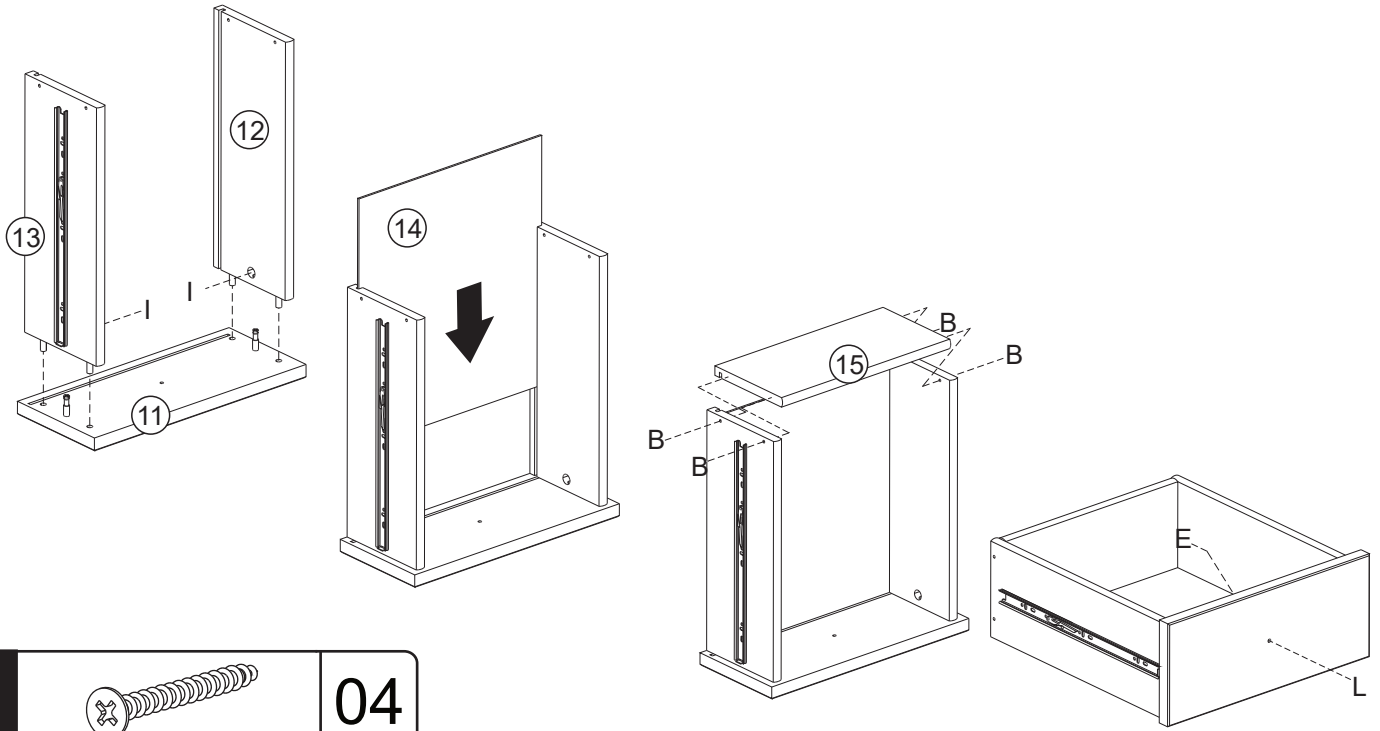
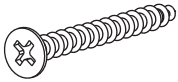
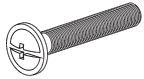
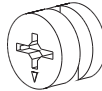
<b>B</b>		04	<b>E</b>		01
<b>I</b>		02	<b>L</b>		01
			<b>N</b>		01

# 16



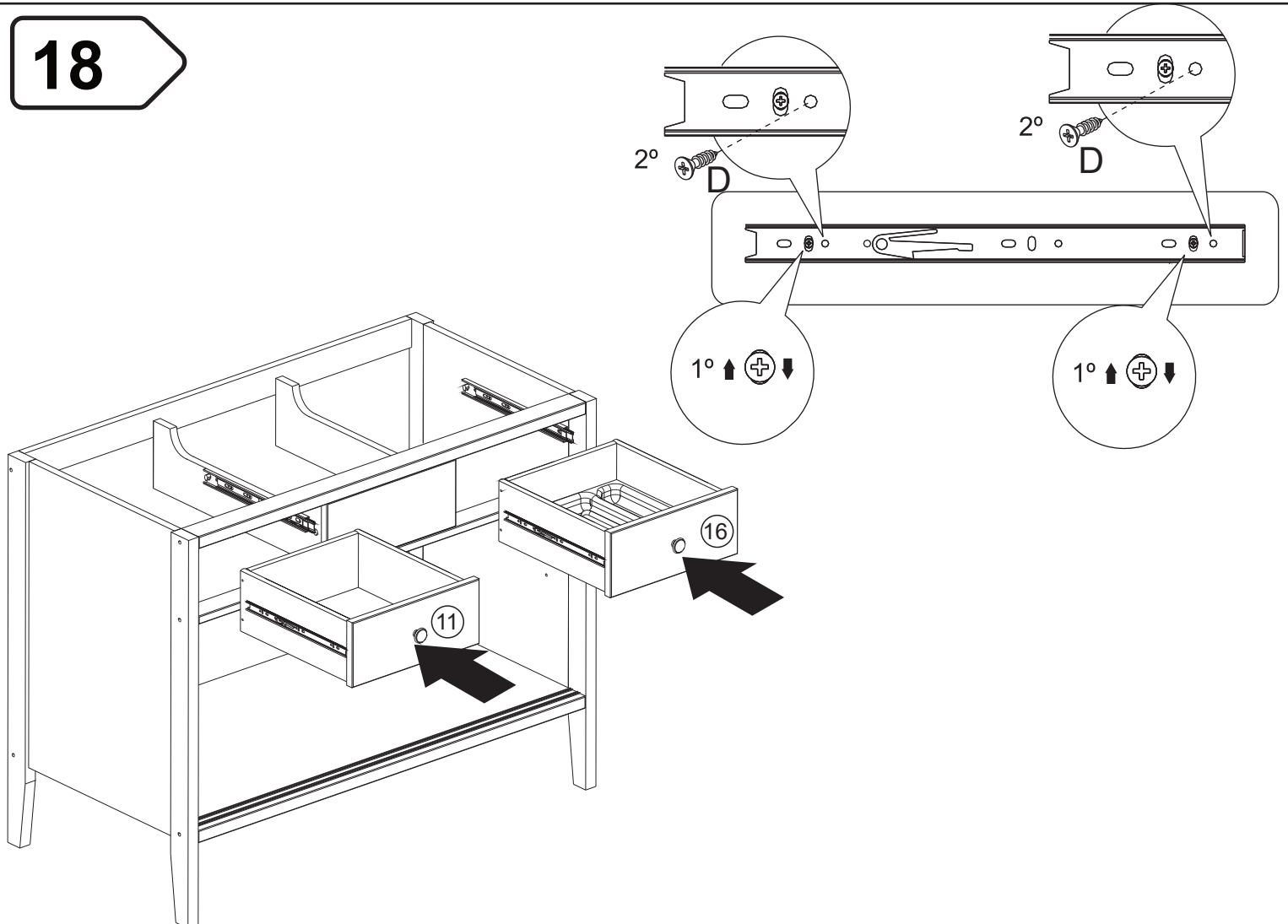
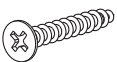
<b>A</b>		04	<b>H</b>		02
<b>D</b>		06	<b>Q2</b>		02

# 17

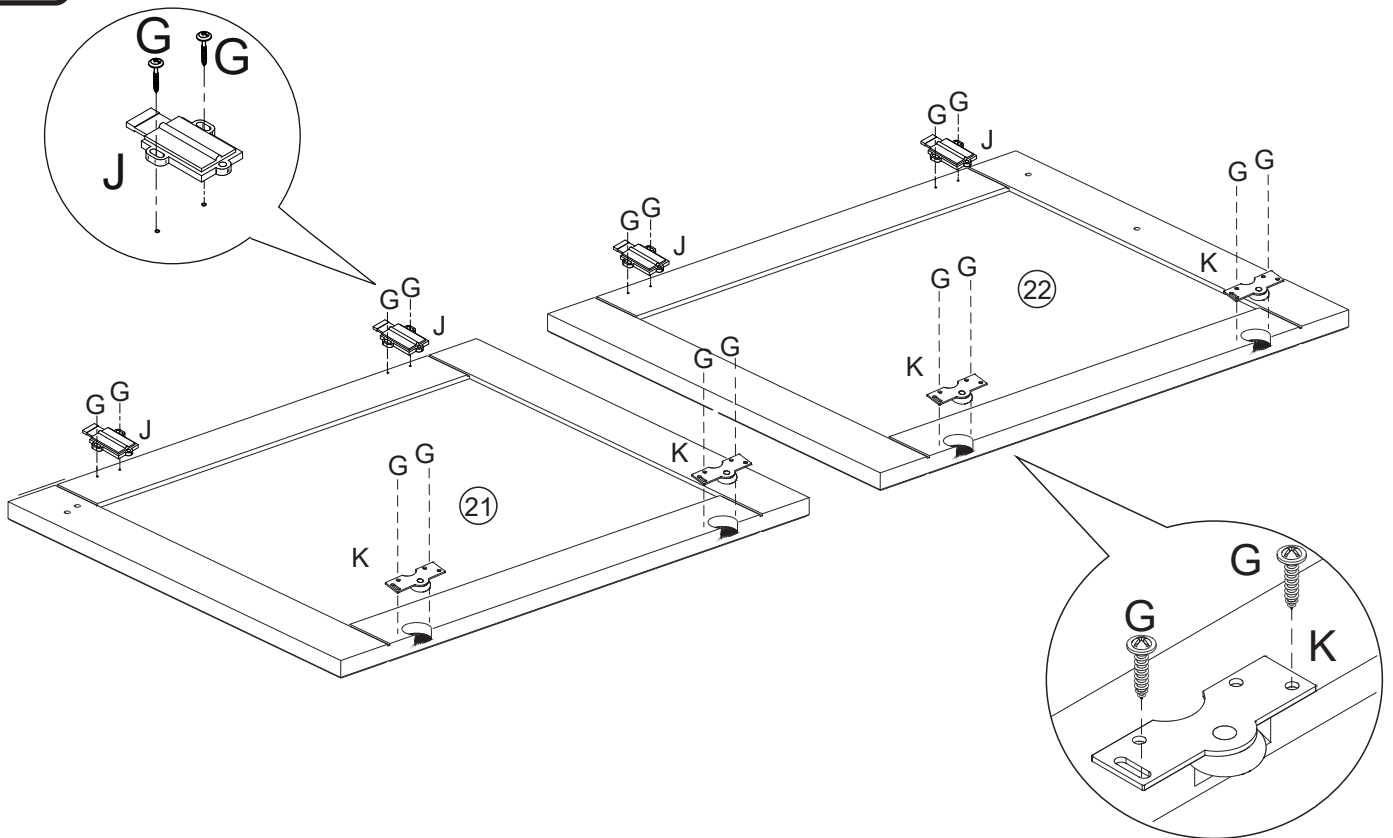

**B**

**04**
**E**

**01**
**I**

**02**
**L**

**01**

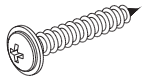
# 18


**D**

**08**

19

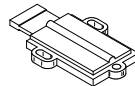


G



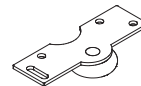
16

J



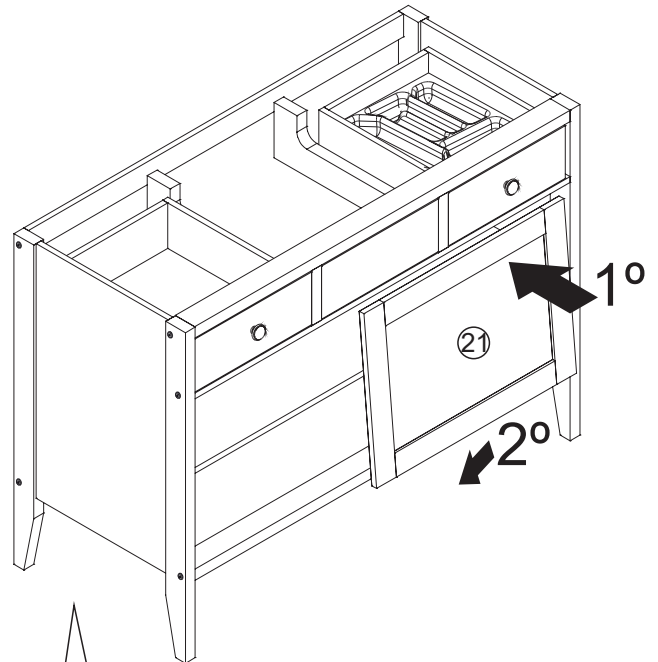
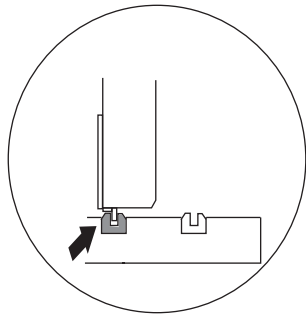
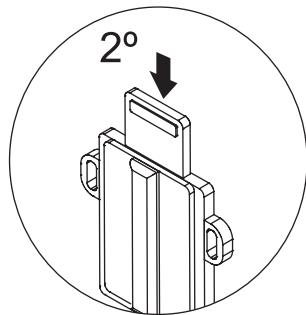
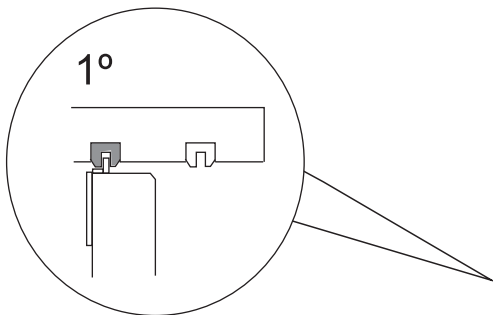
04

K

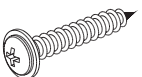


04

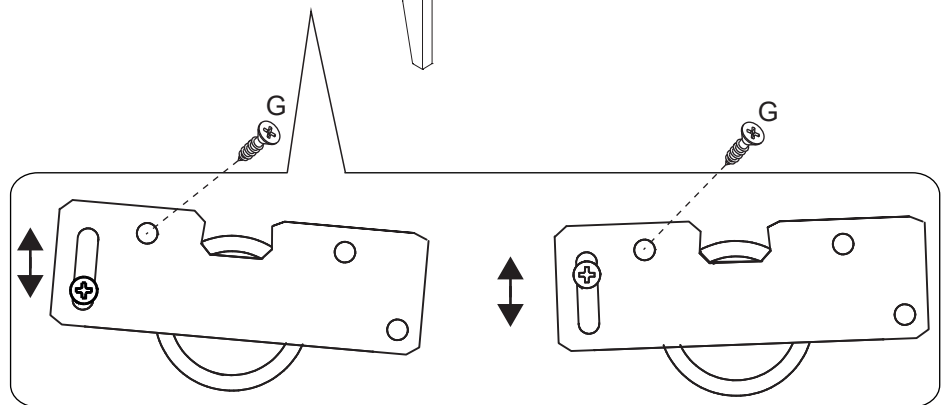
20



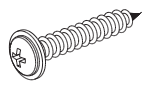
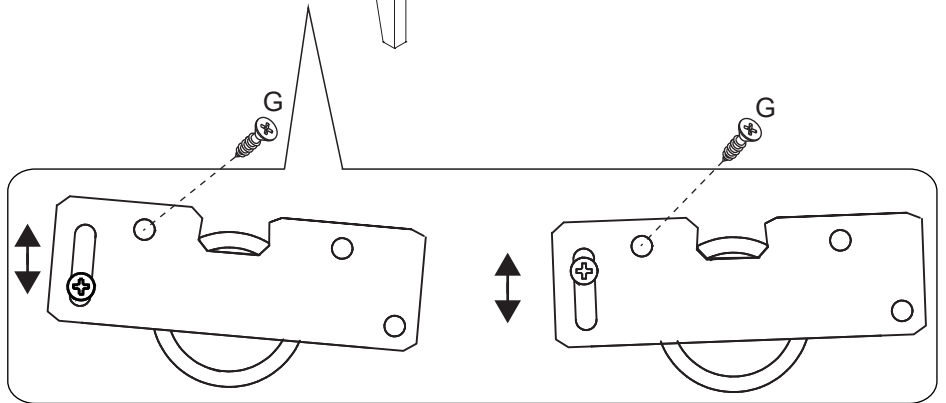
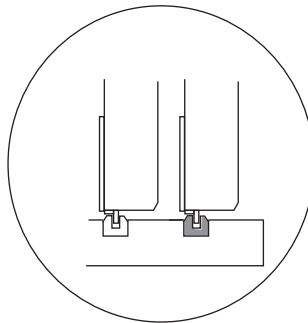
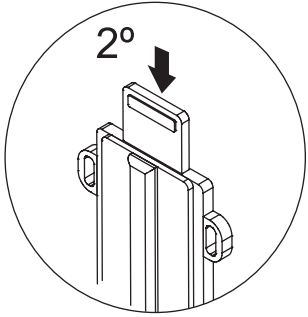
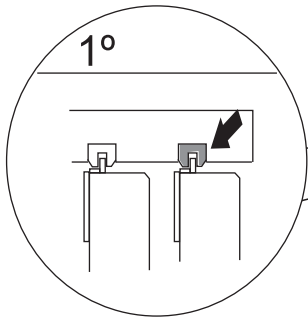
G



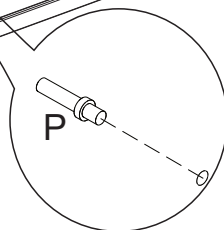
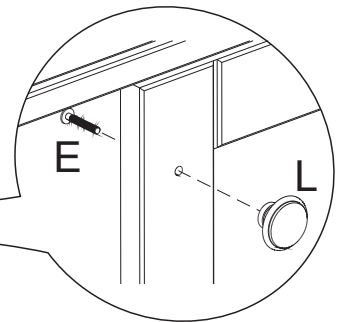
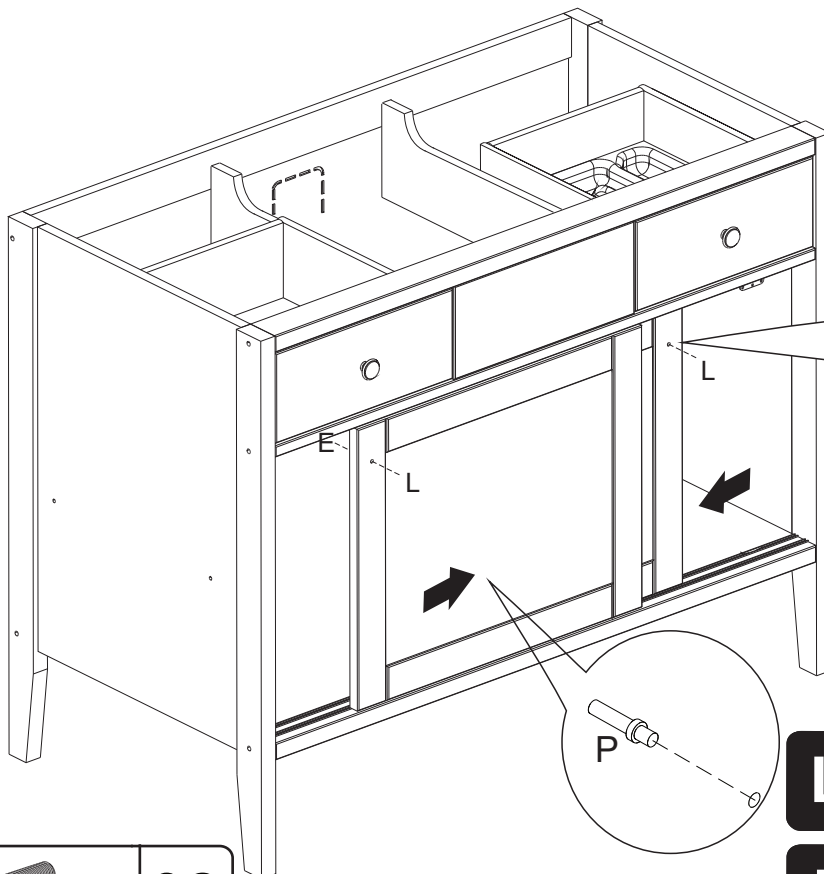
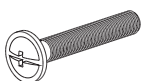
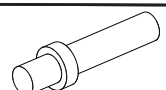
02



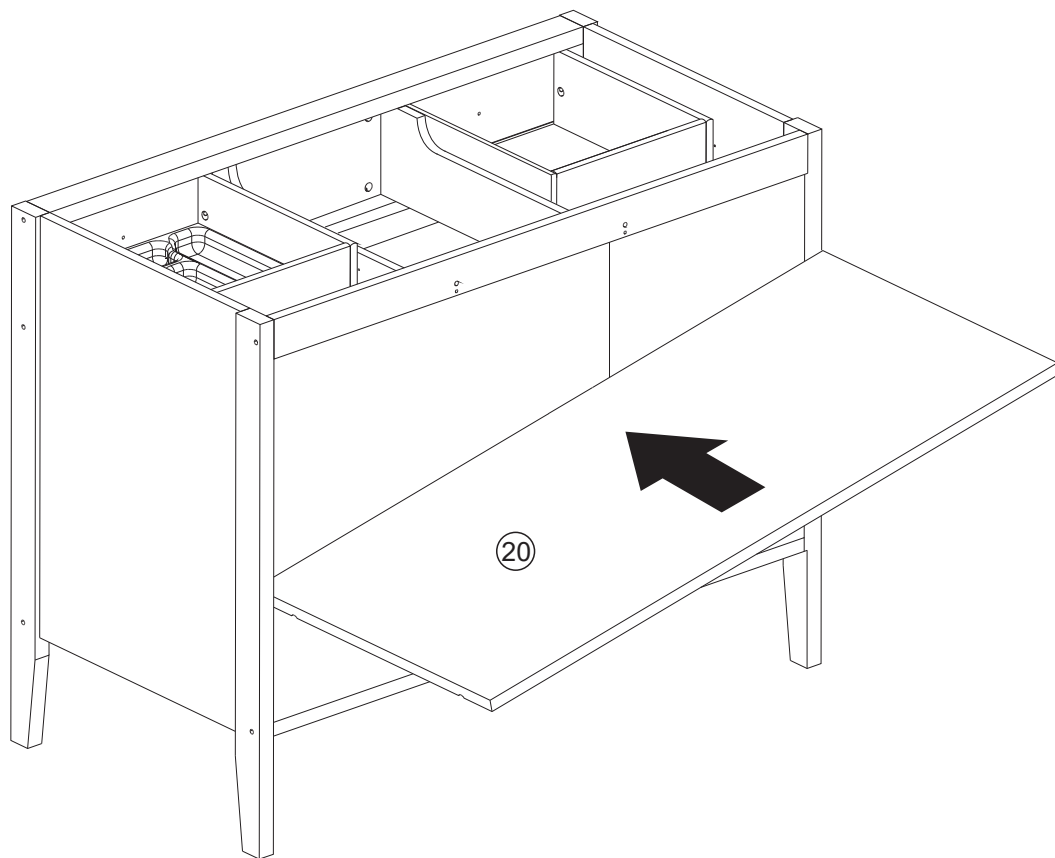
Depois de regular, trave com o parafuso G

**21****G****02**

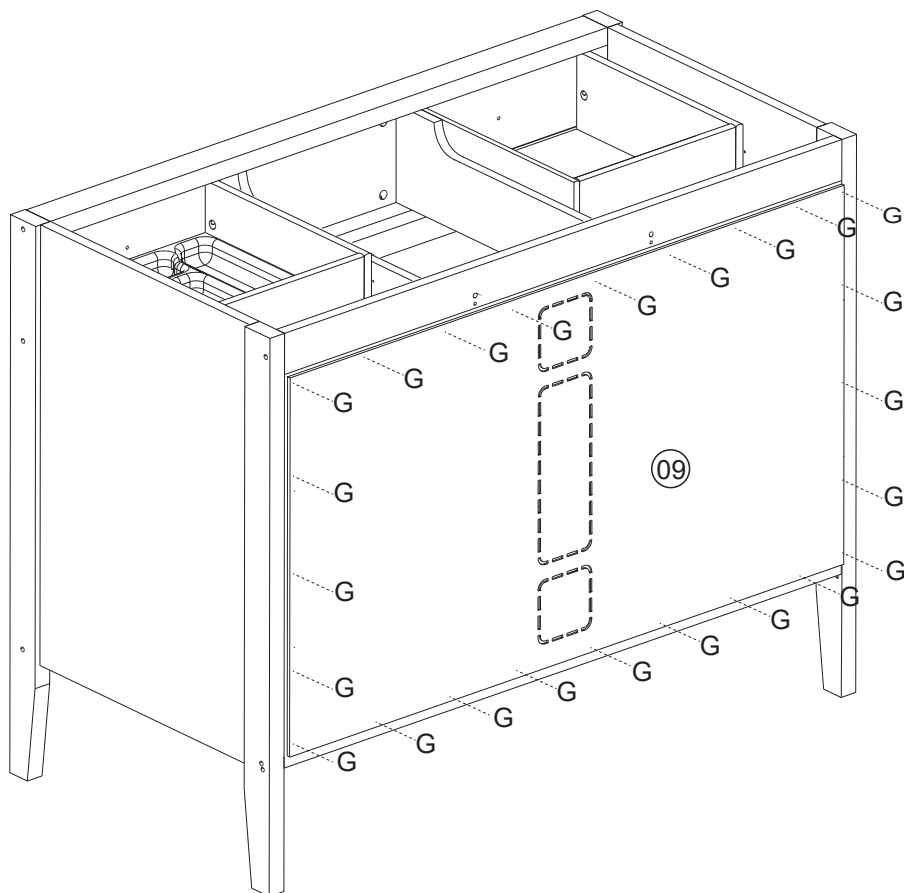
Depois de regular, trave com o parafuso G

**22****E****02****L****02****P****01**

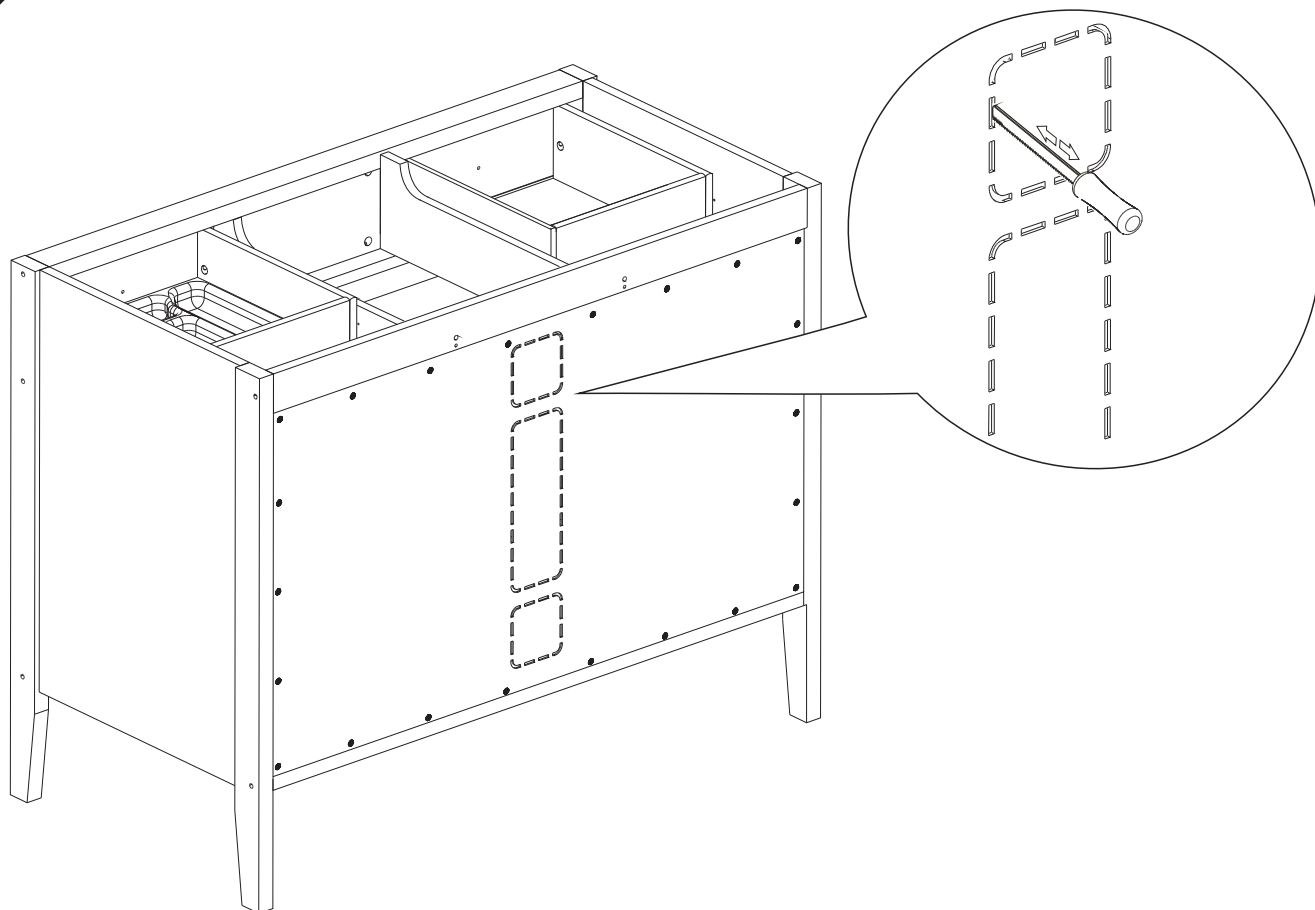
23



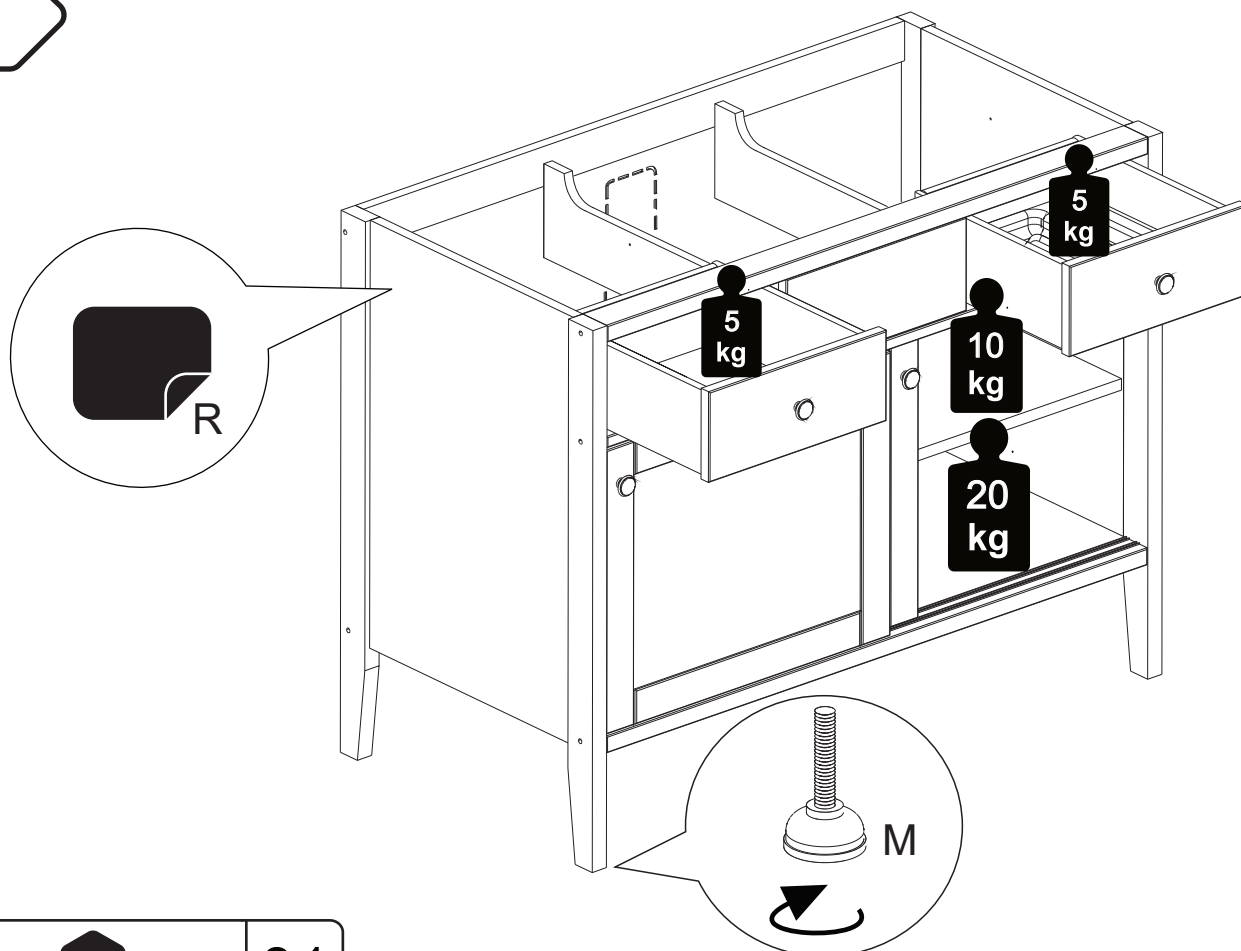
24



25



26



R



01