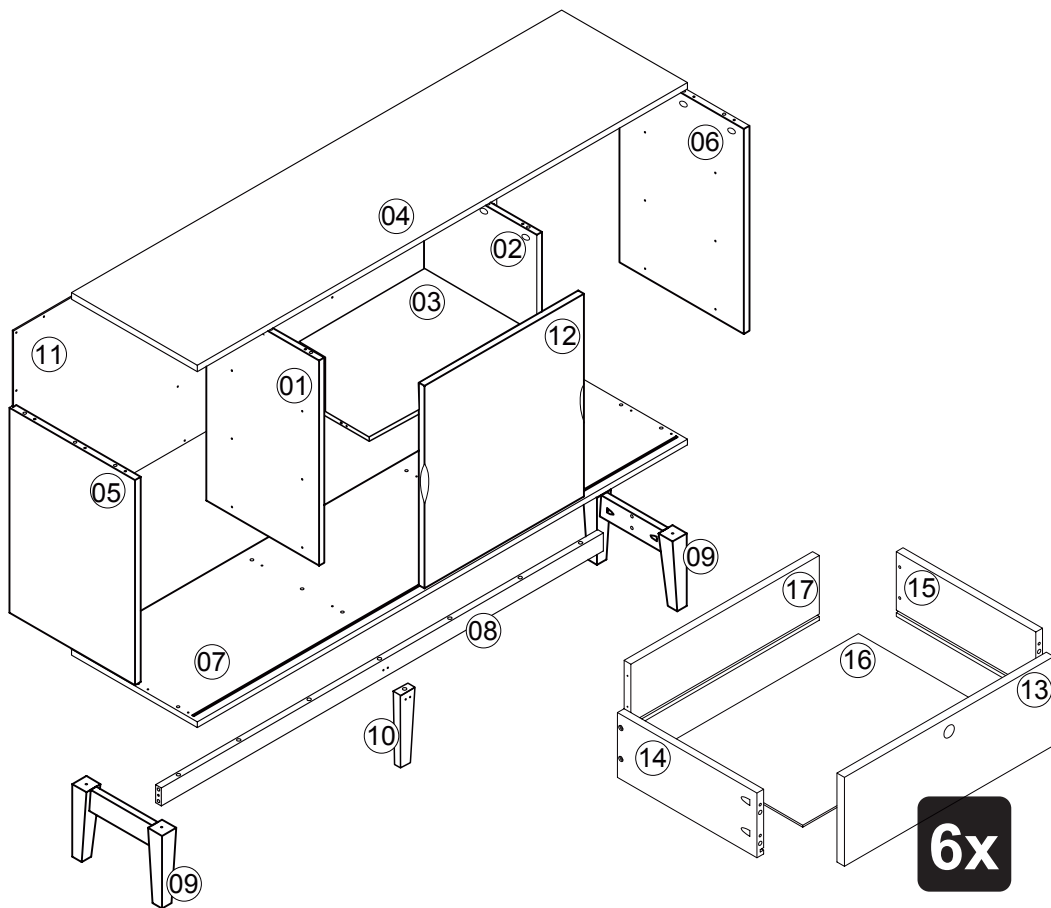
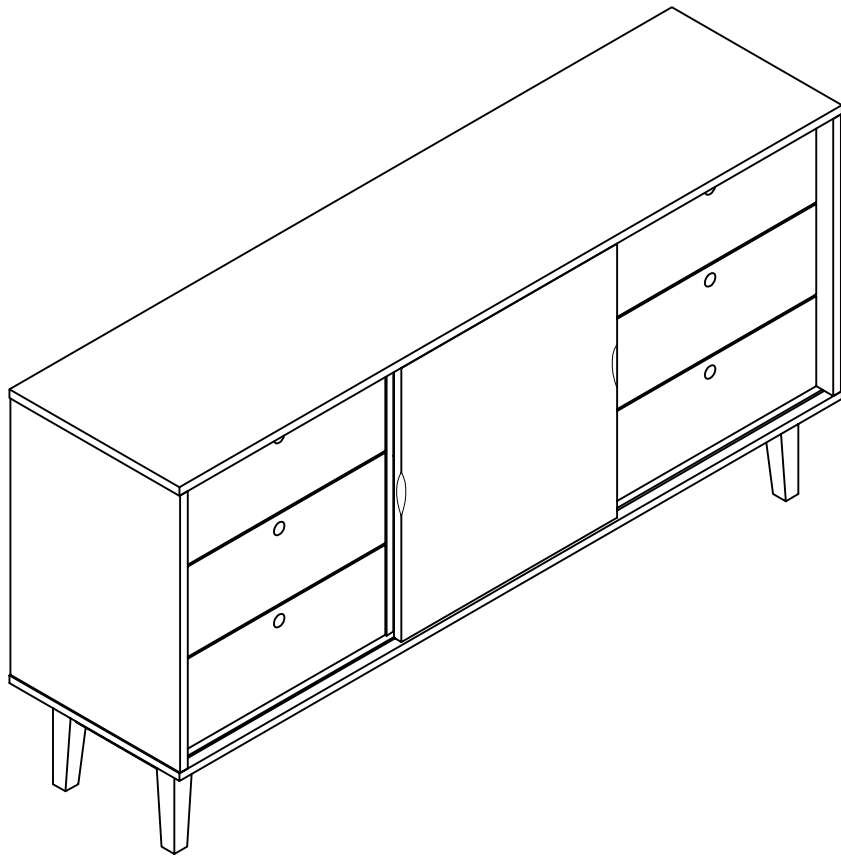
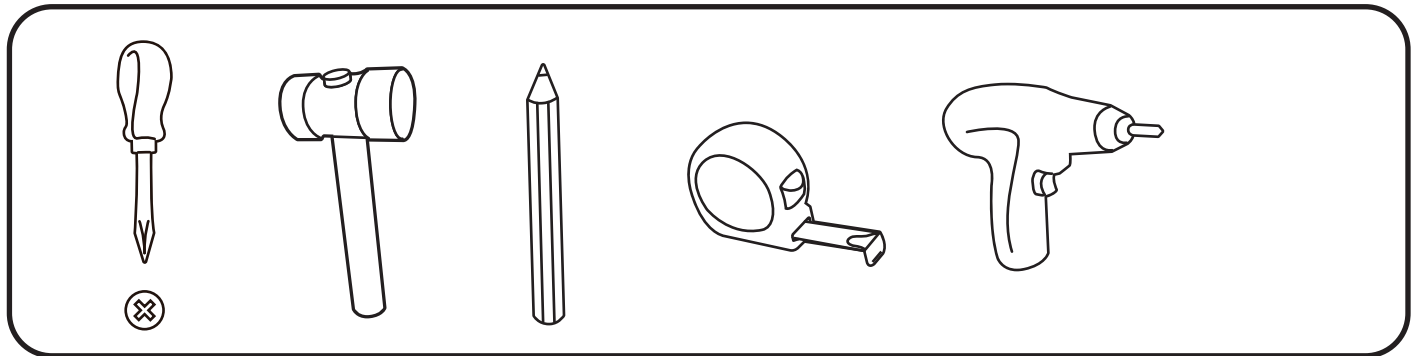
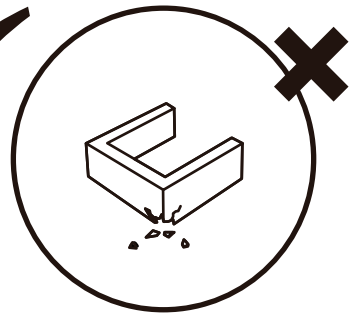
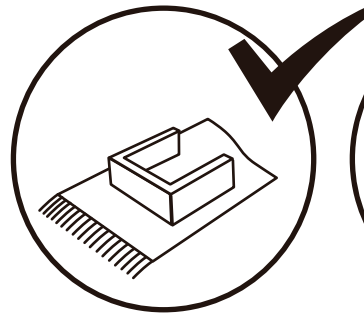



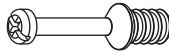


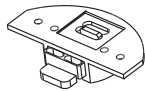
CHARME

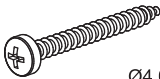





A	 Ø8,0x30mm	61
----------	--	----

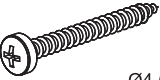
G		16
----------	---	----


M		02
----------	---	----

B	 Ø4,0x30mm	60
----------	--	----


H		16
----------	---	----


N		01
----------	---	----


C	 Ø4,5x50mm	13
----------	--	----


I	 350mm	06
----------	--	----

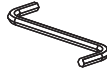
O		02
----------	---	----

D	 Ø7,0x50mm 17mm	02
----------	--	----


J	 350mm	06
----------	--	----

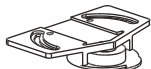
P		02
----------	---	----

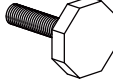
E	 Ø3,5x16mm	34
----------	--	----

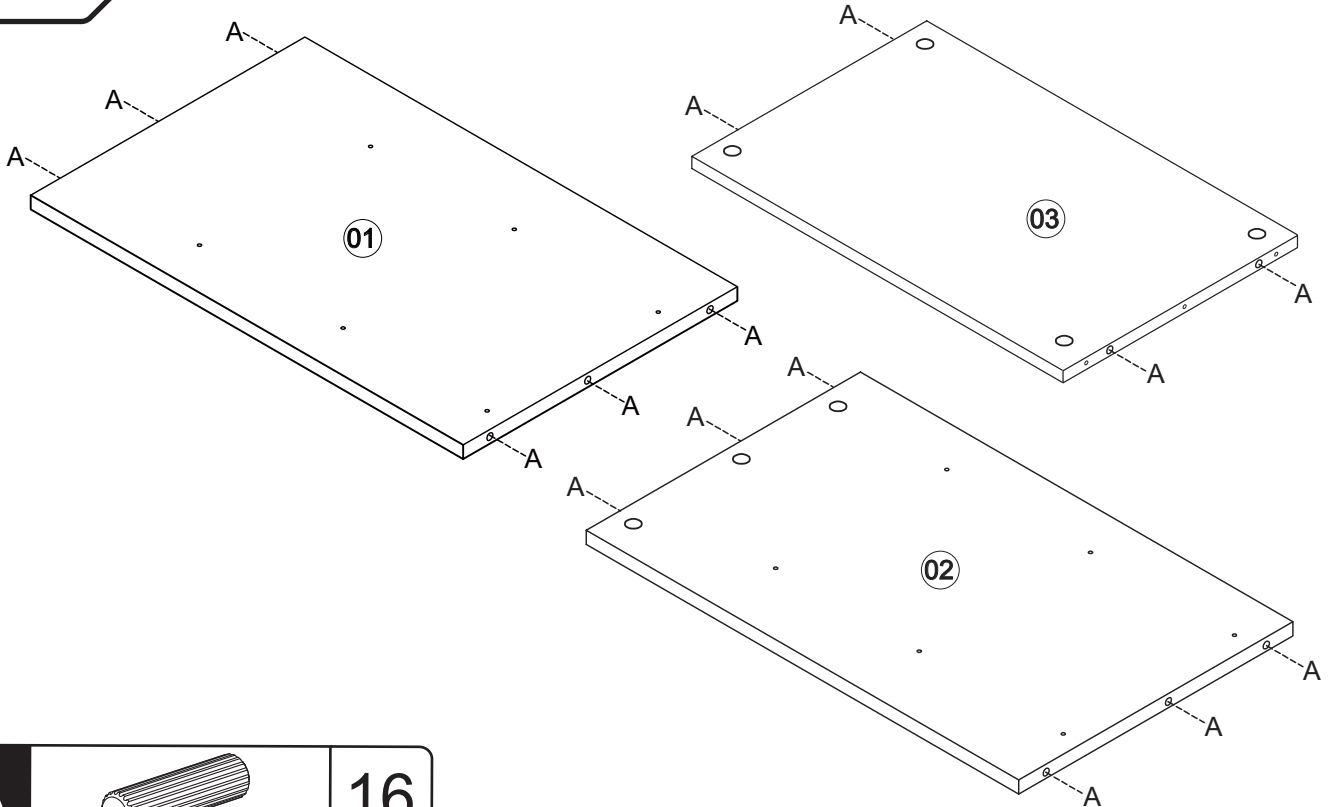
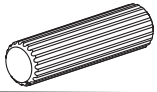
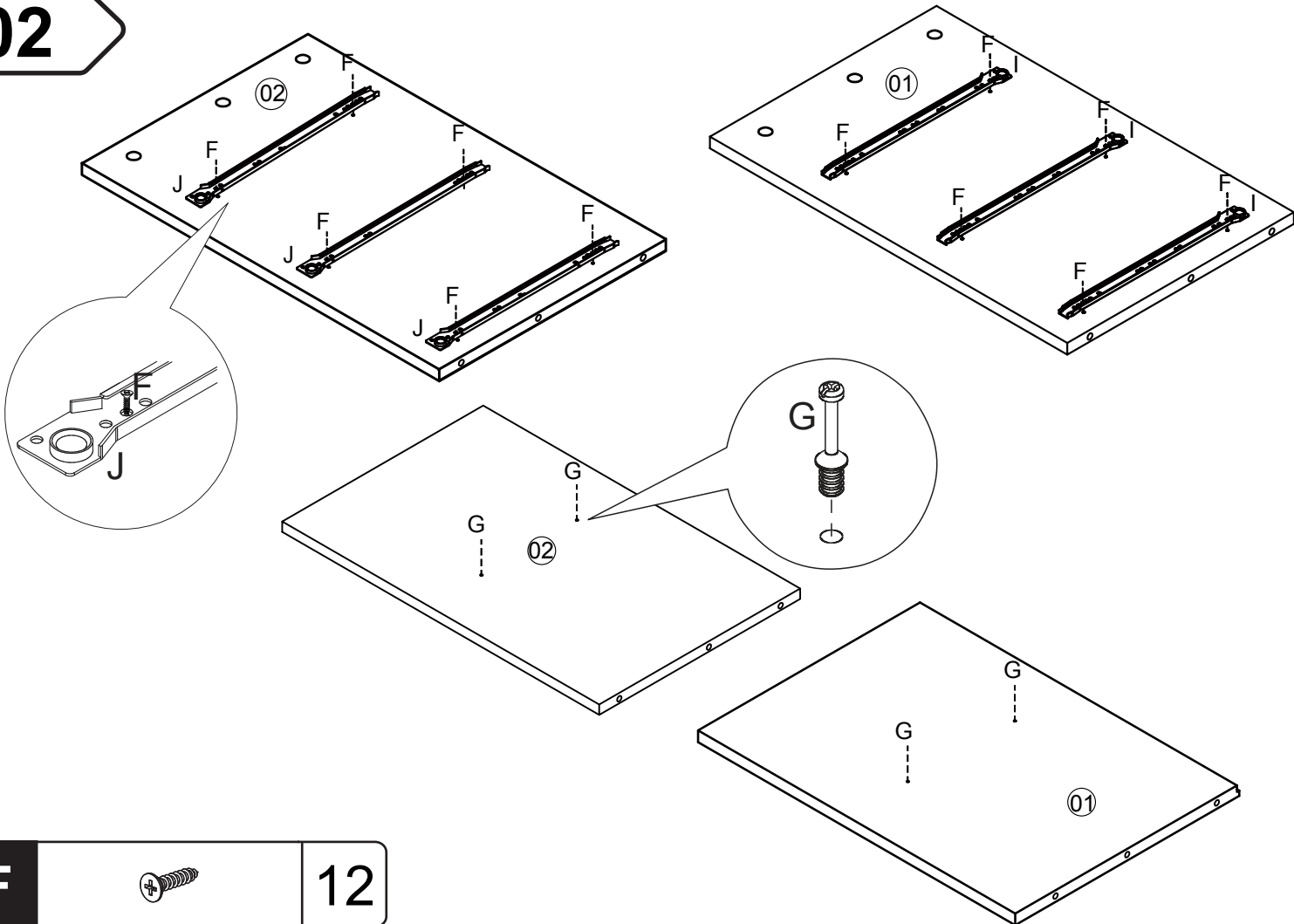
K		01
----------	---	----

Q		01
----------	---	----

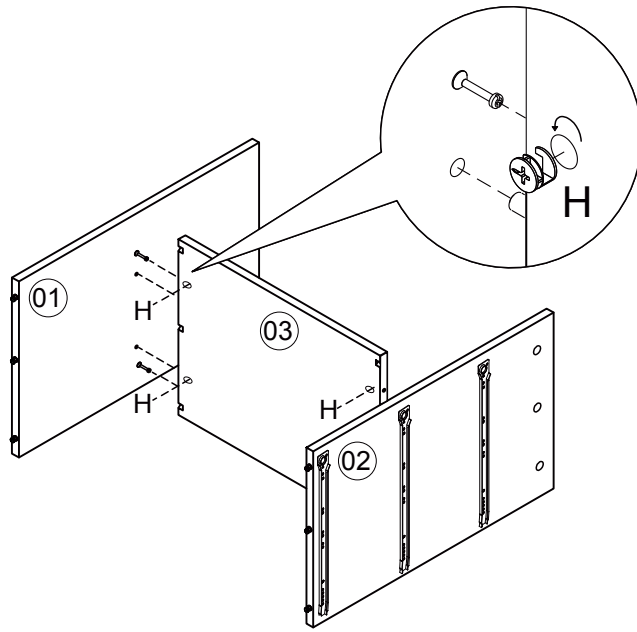
F	 Ø3,5x16mm	50
----------	--	----

L		02
----------	---	----

R		01
----------	---	----

01**A****16****02****F****12****G****04****I****03****J****03**

03

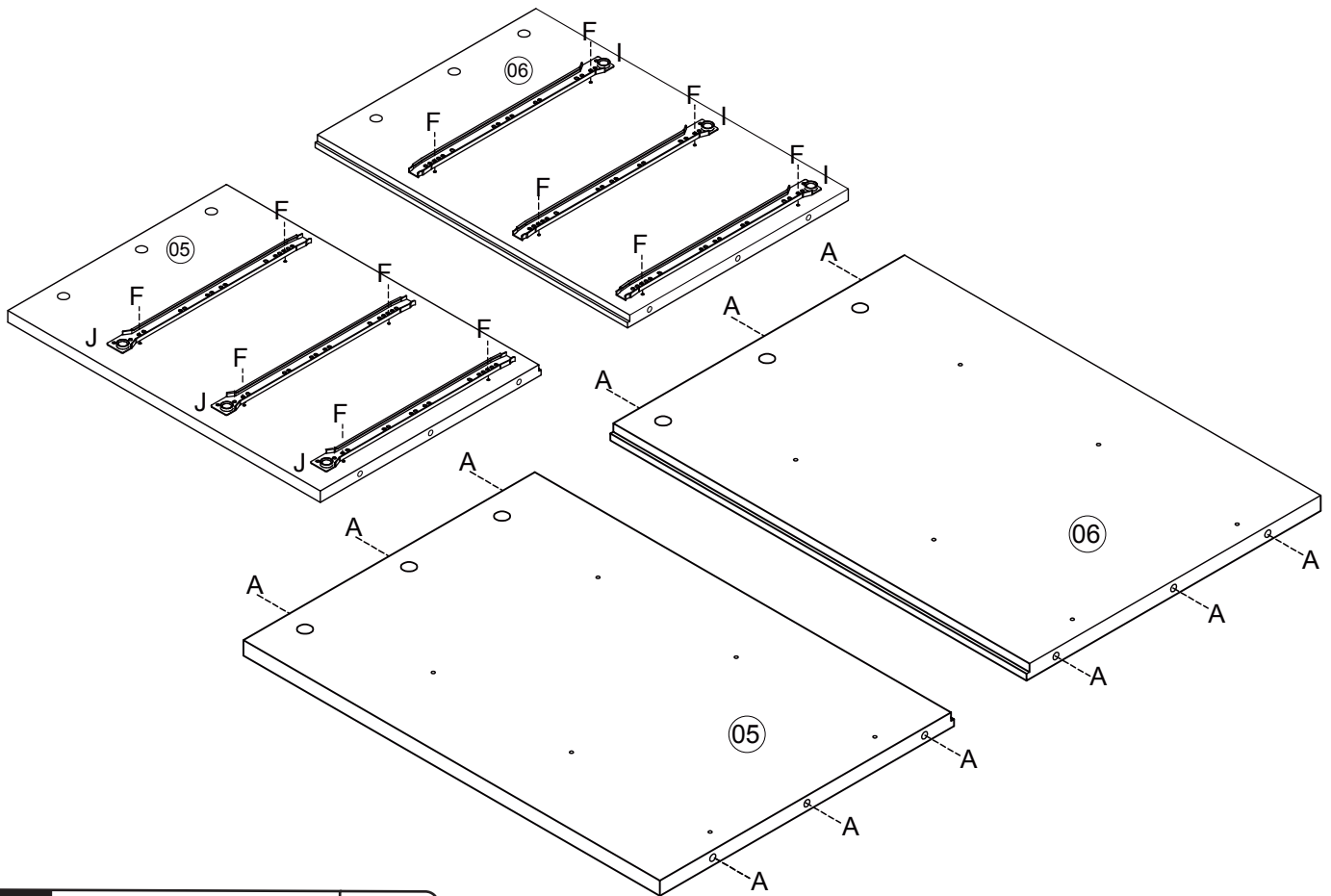


H

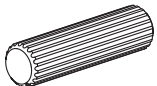


04

04



A



12

F



12

I



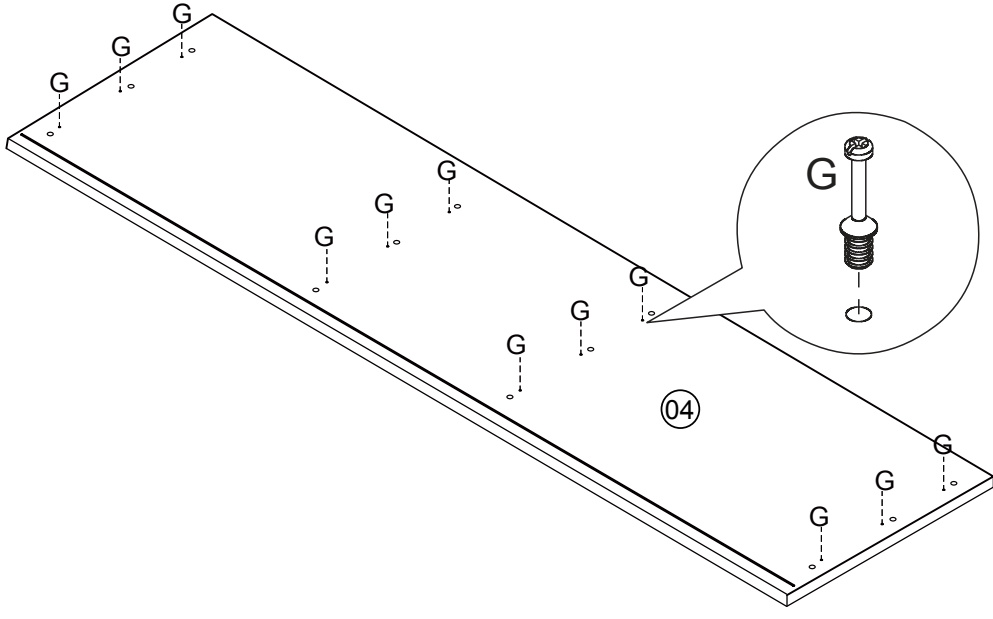
03

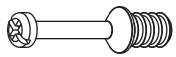
J



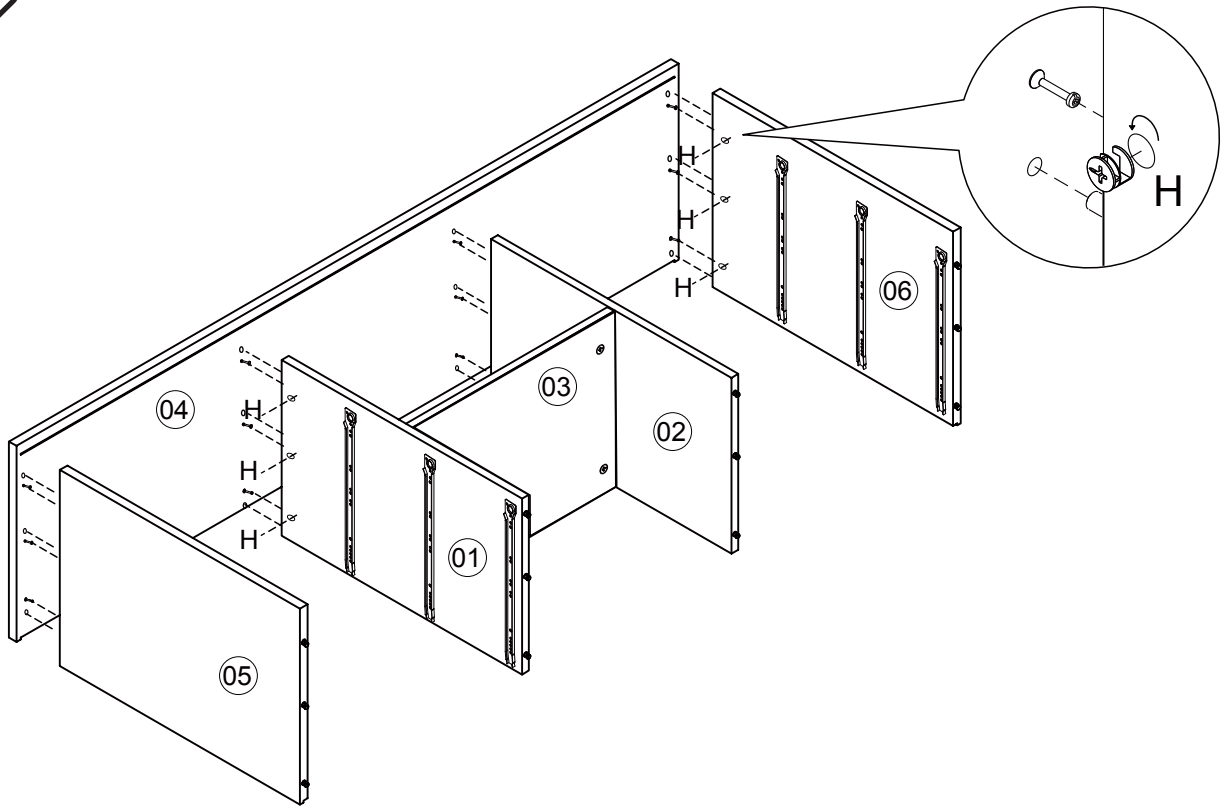
03


05



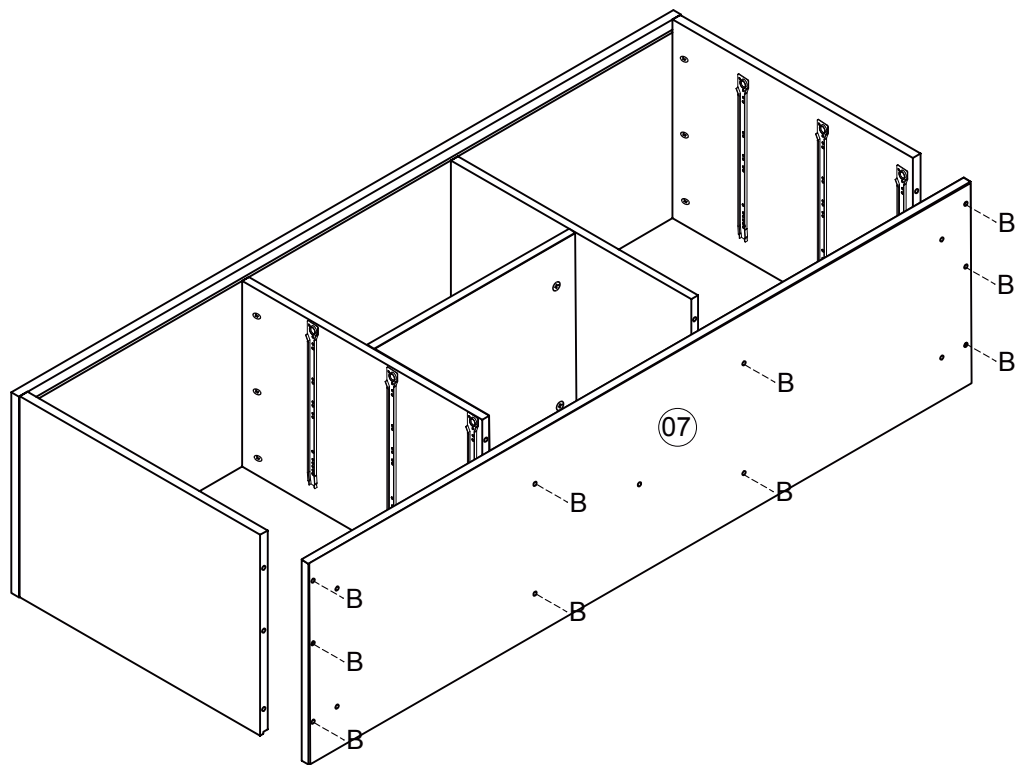
G		12
----------	---	----

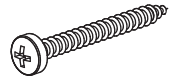
06



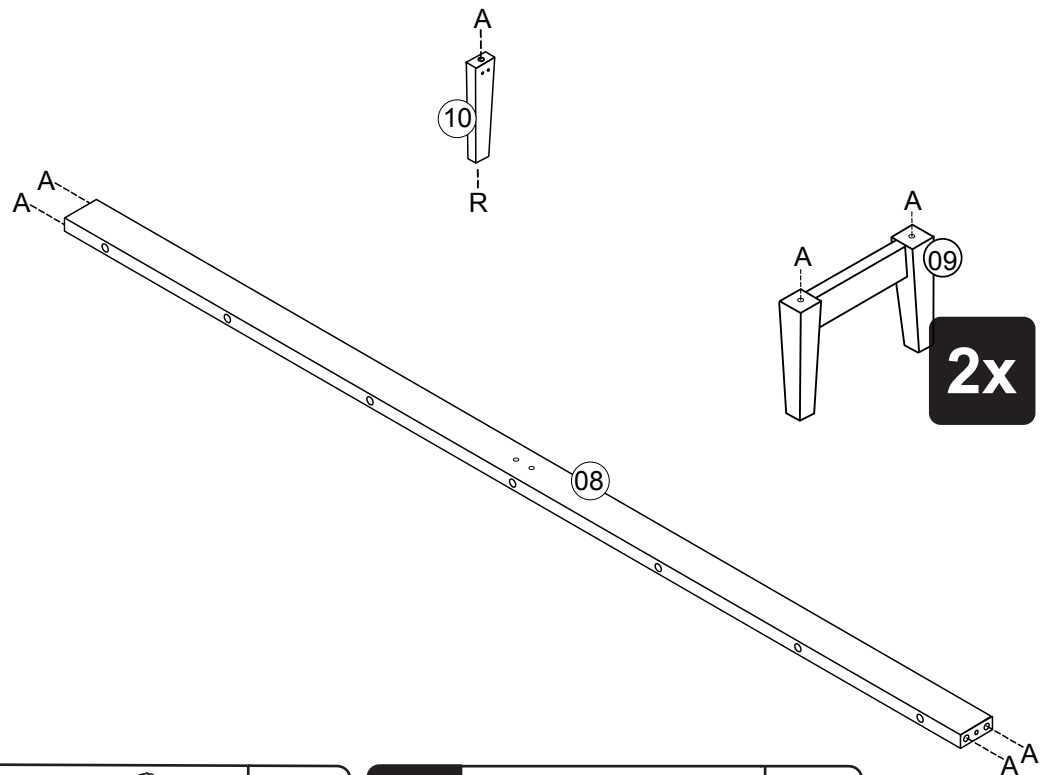
H		12
----------	---	----

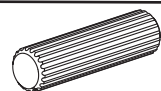
07

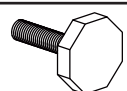


B		10
----------	---	-----------

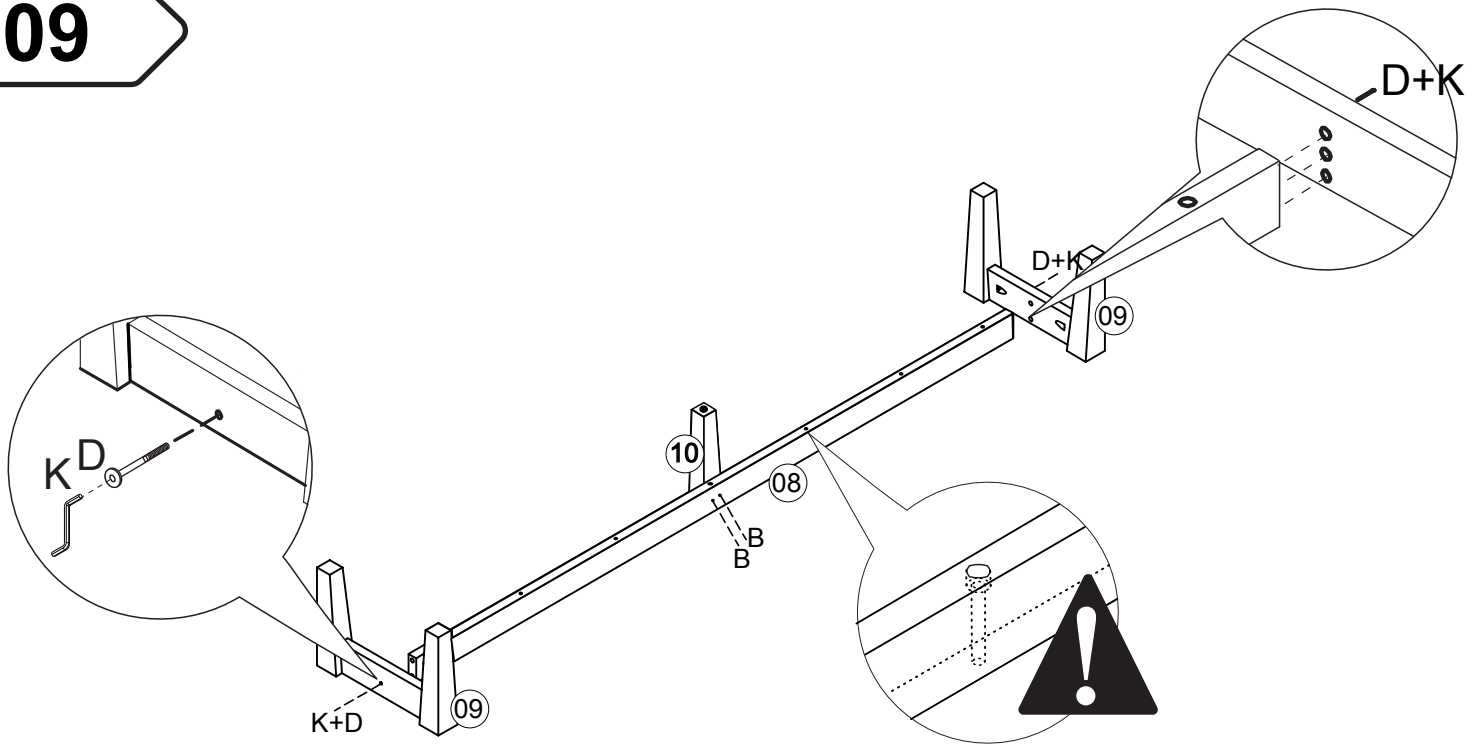
08



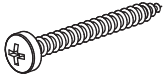
A		09
----------	---	-----------

R		01
----------	---	-----------

09

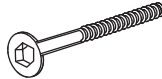


B



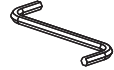
02

D



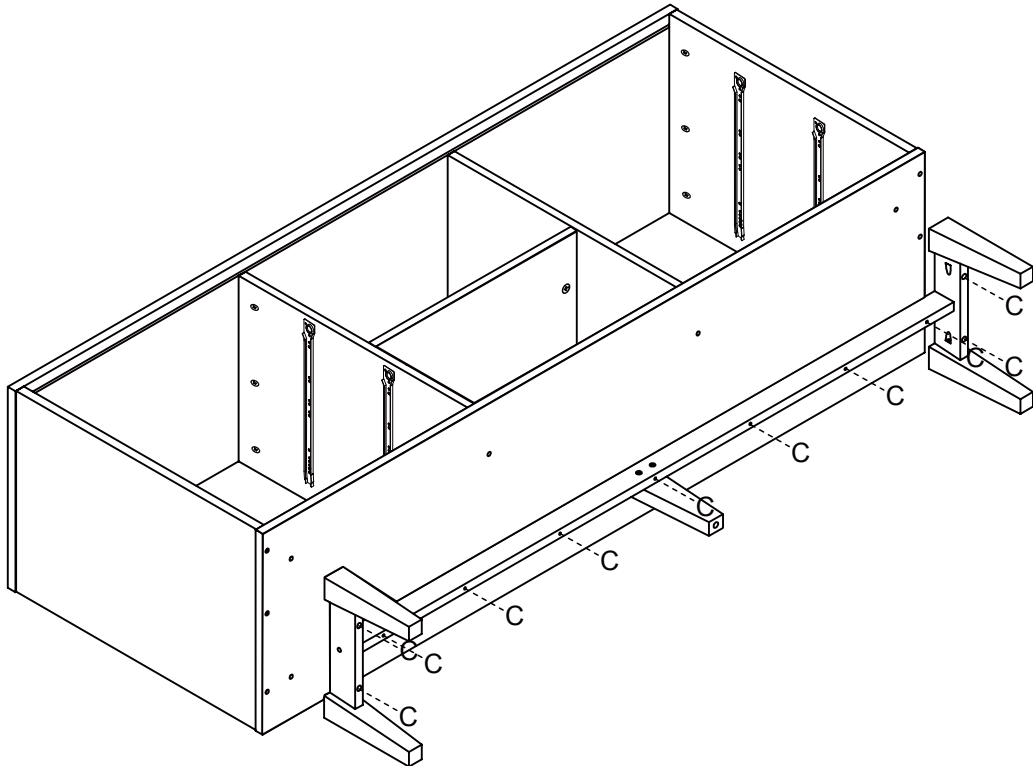
02

K

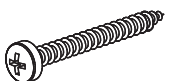


01

10

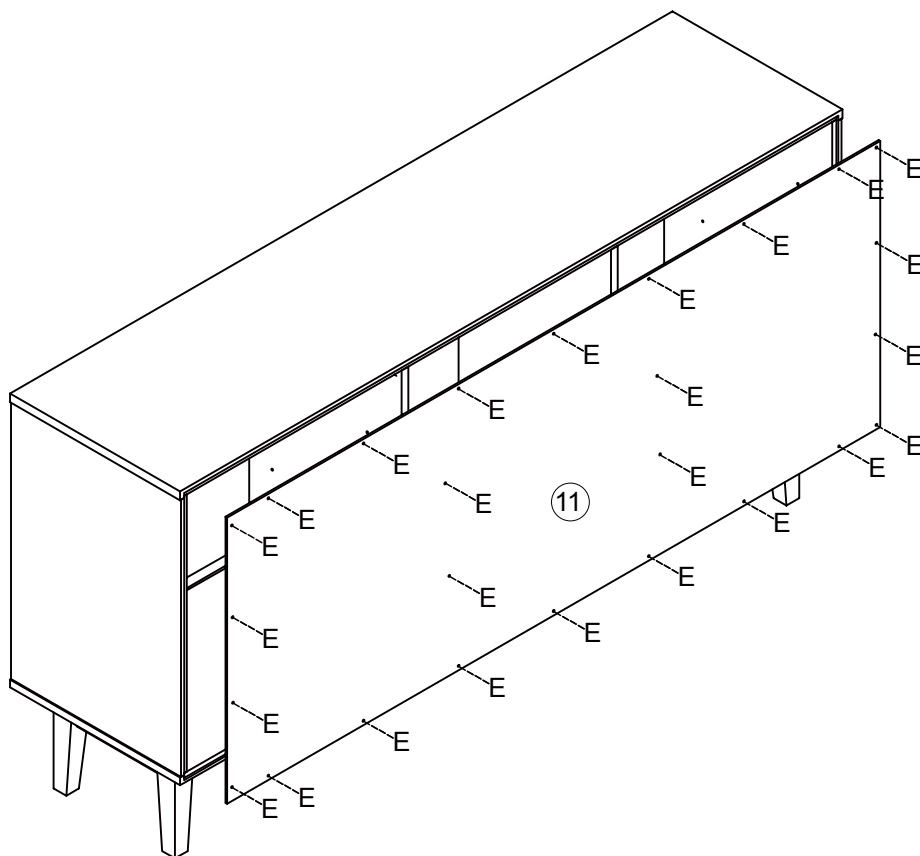


C



11

11

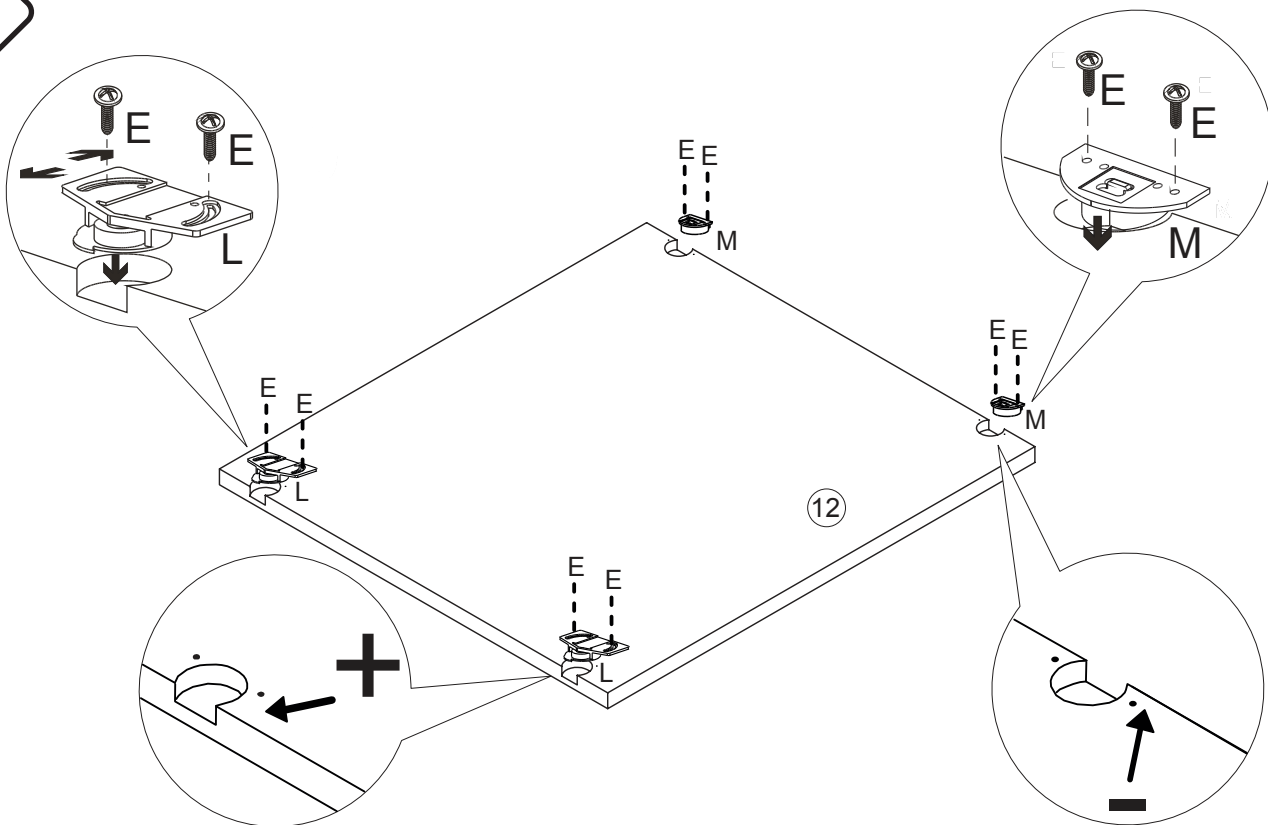


E



26

12

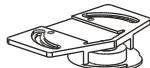


E



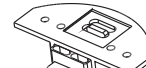
08

L



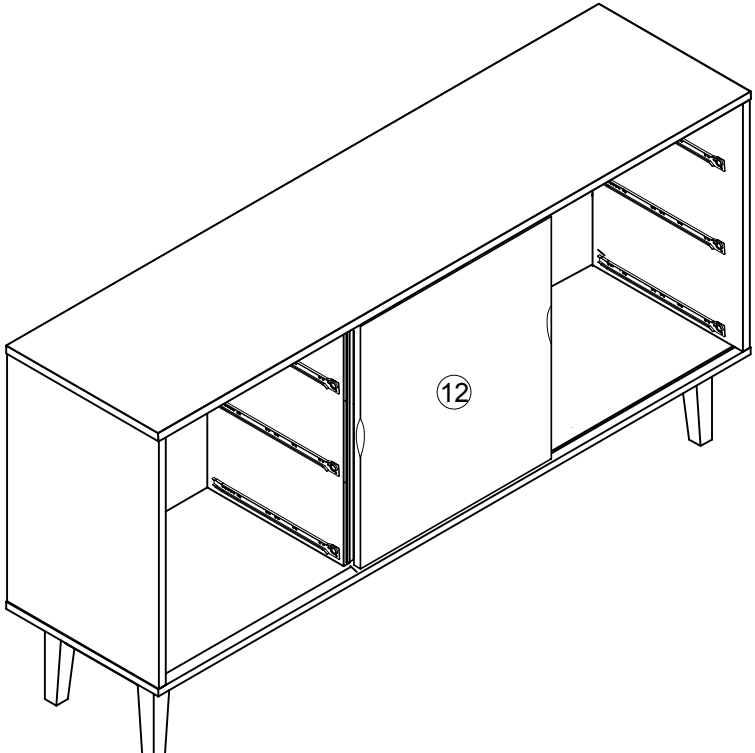
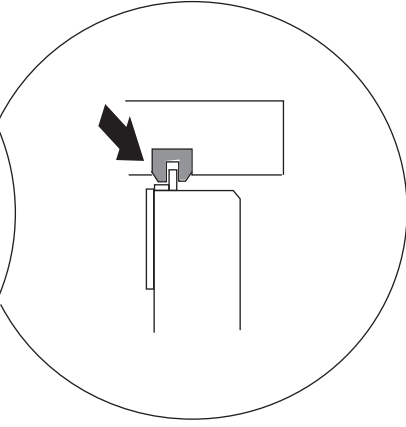
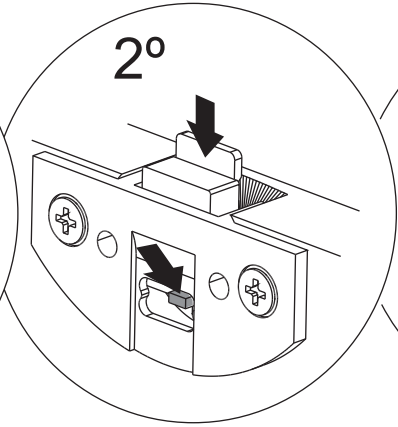
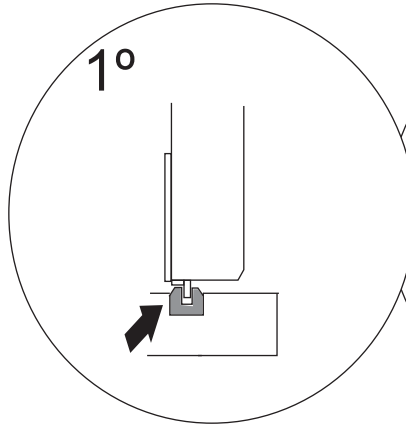
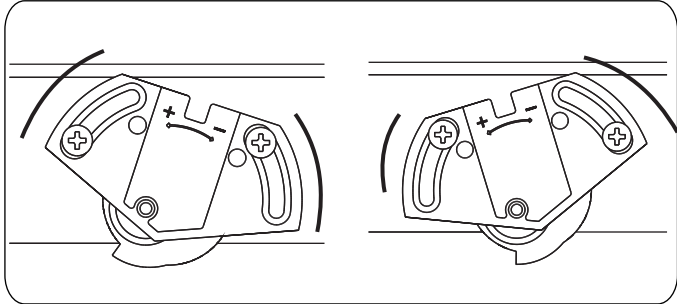
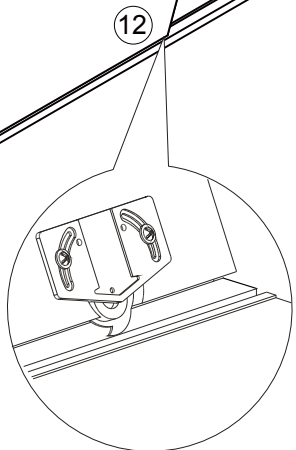
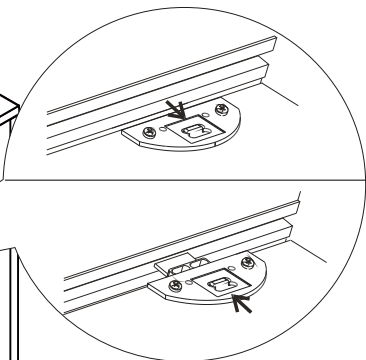
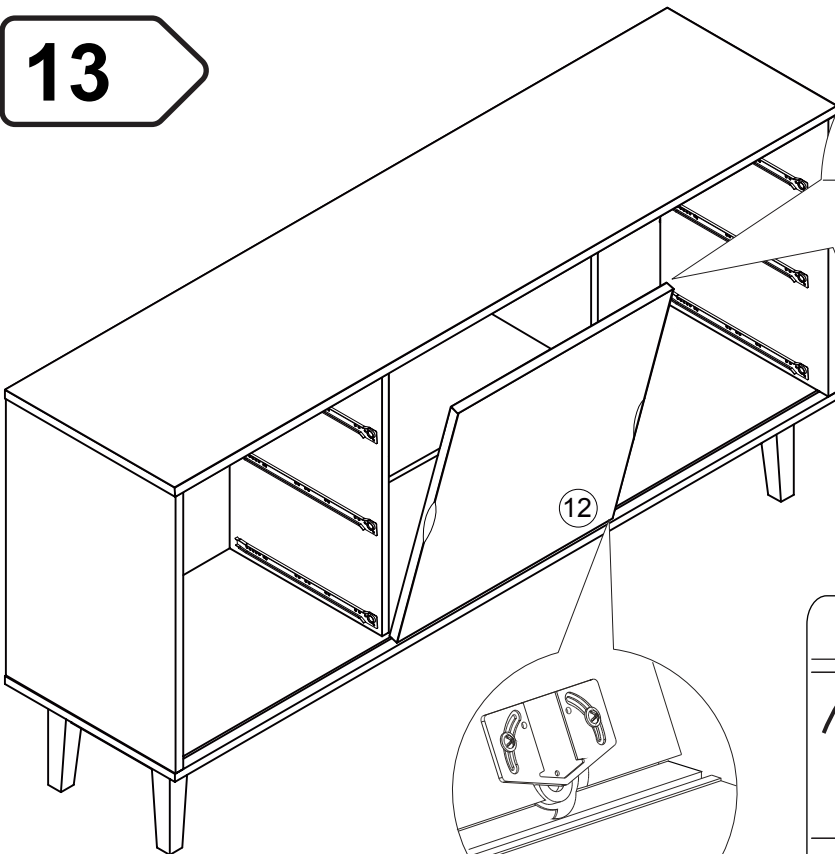
02

M

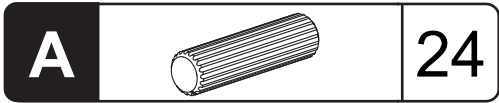
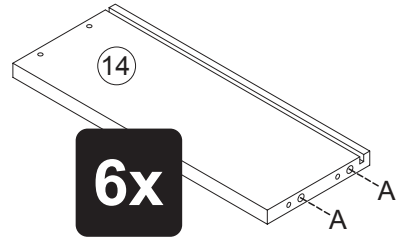
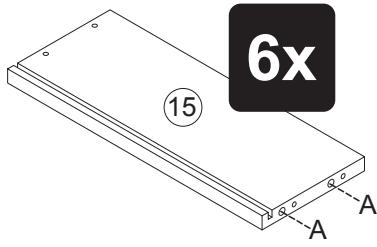


02

13

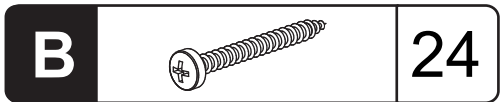
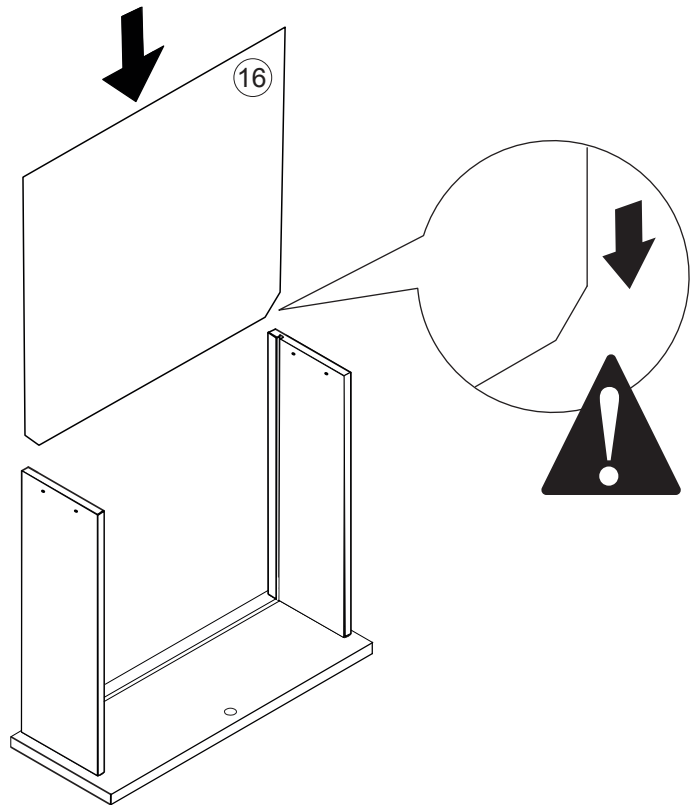
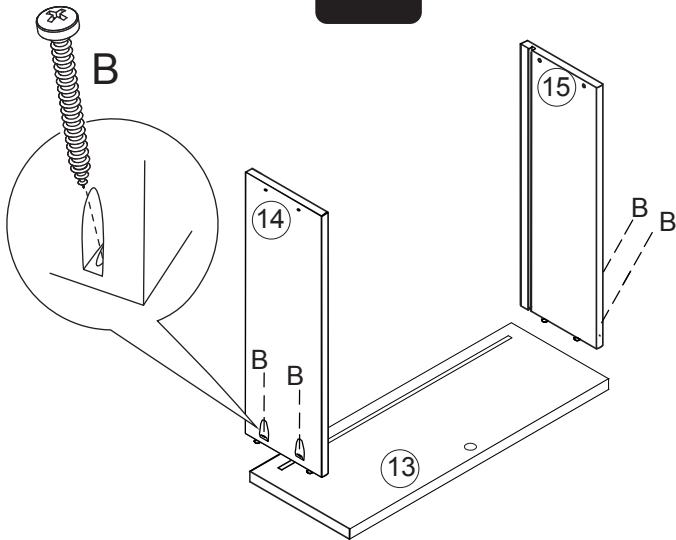


14



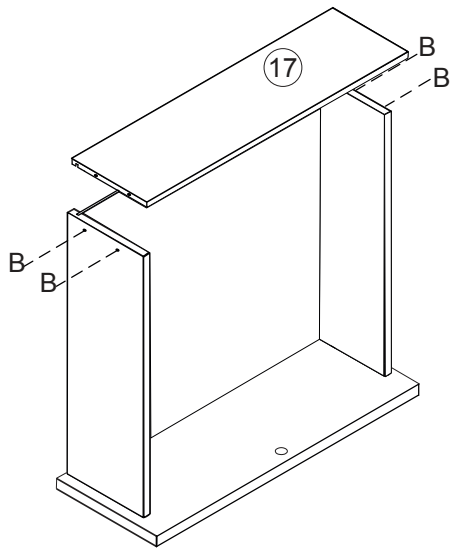
15

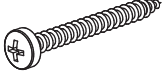
6x



16

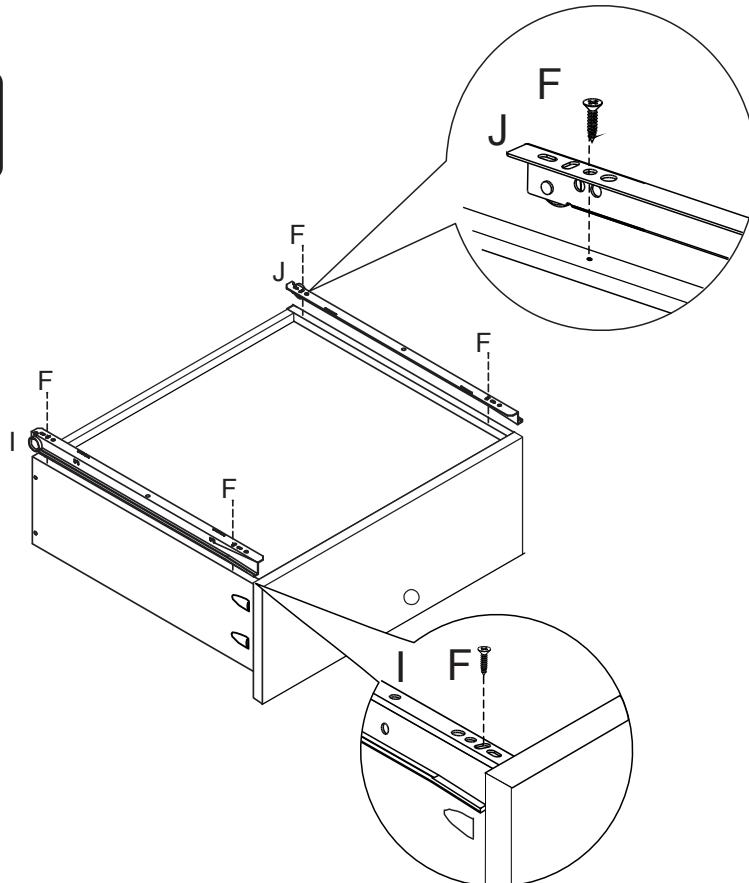
6x





B		24
----------	---	----


17

6x

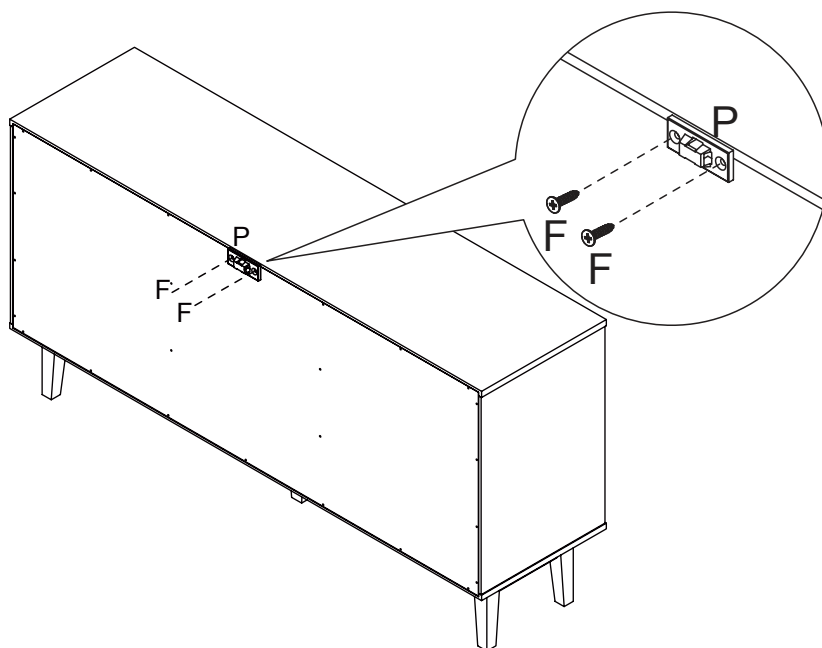


F		24
----------	---	----

I		06
----------	---	----

J		06
----------	---	----

18

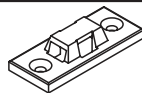


F



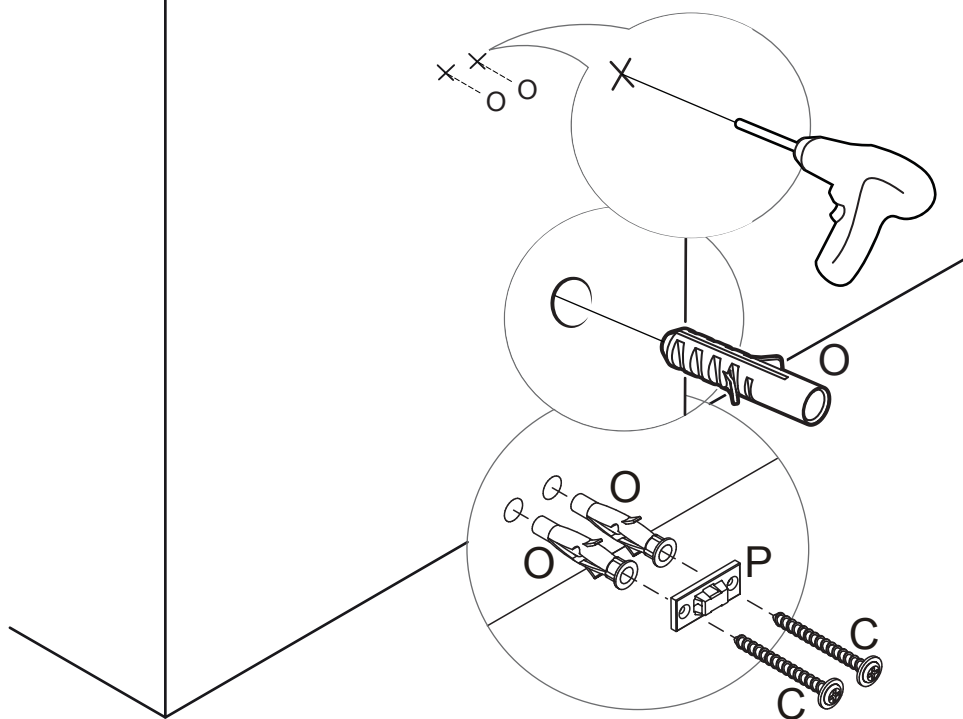
02

P

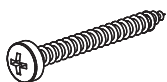


01

19



C



02

O



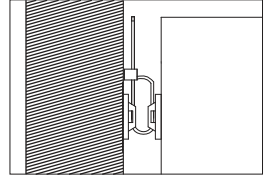
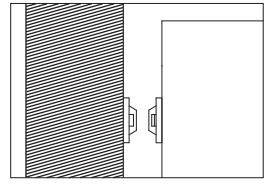
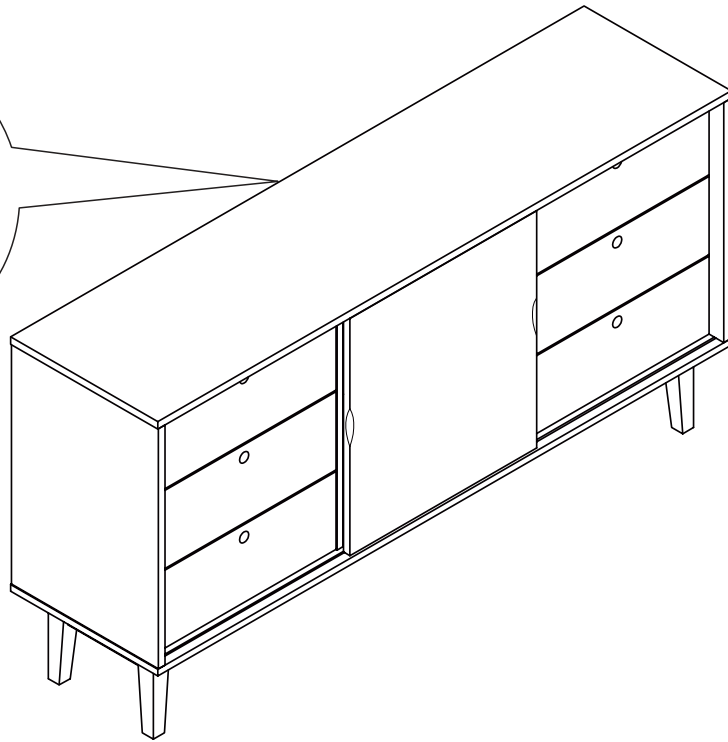
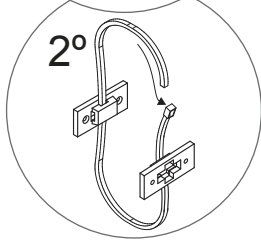
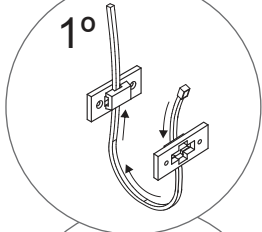
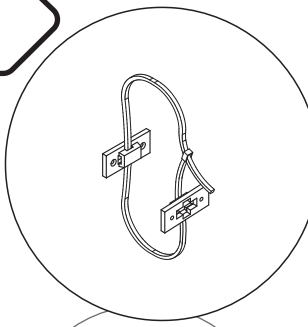
02

P



01

20

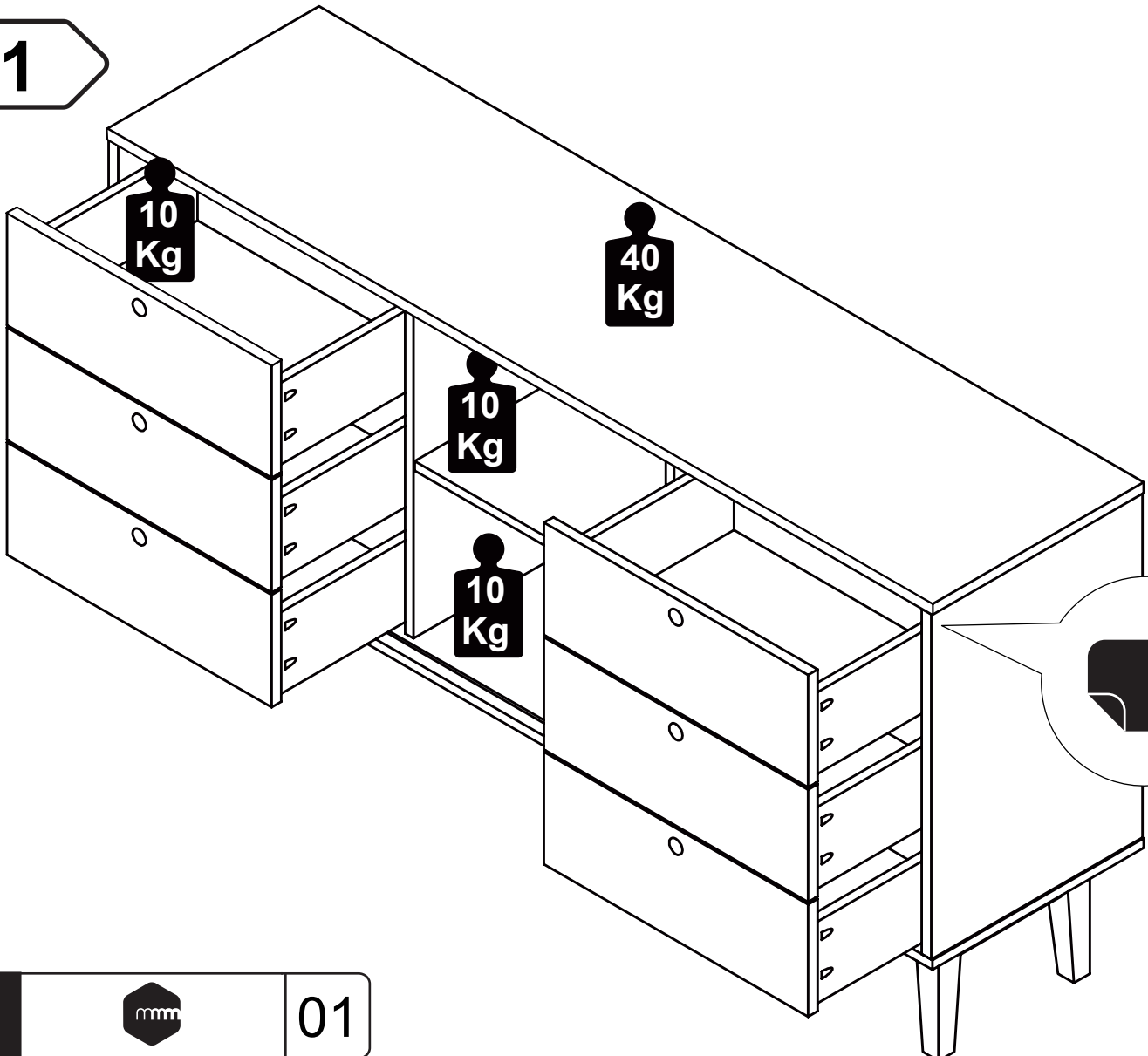


Q



01

21



N



01