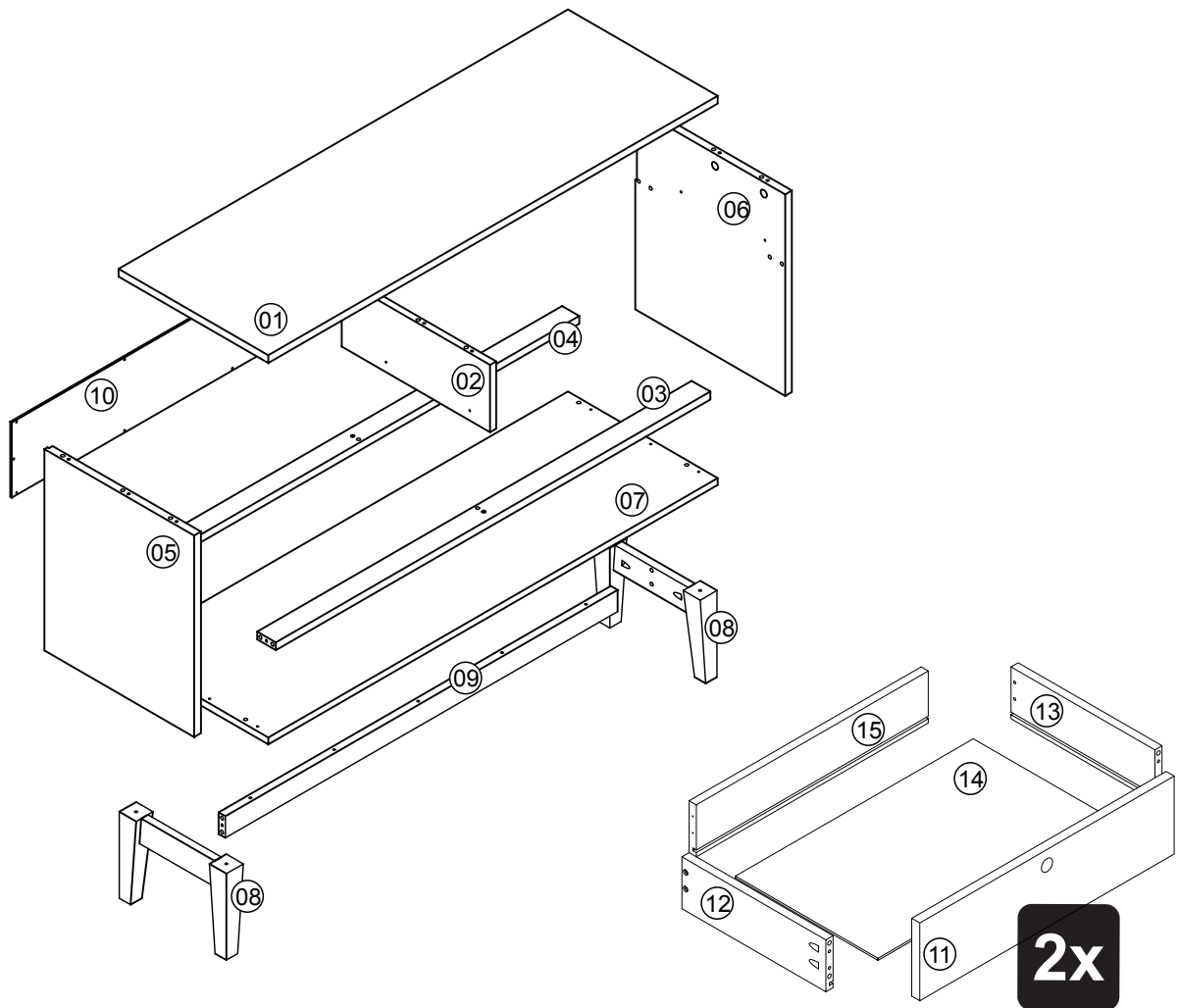
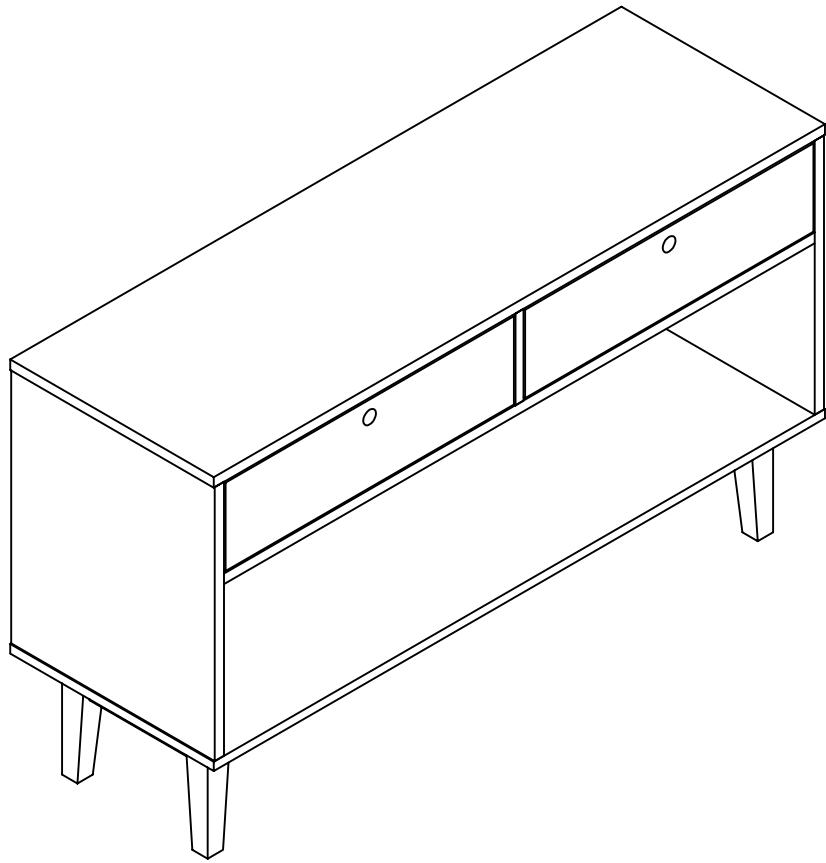
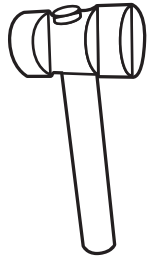
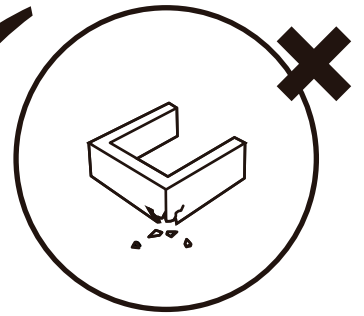
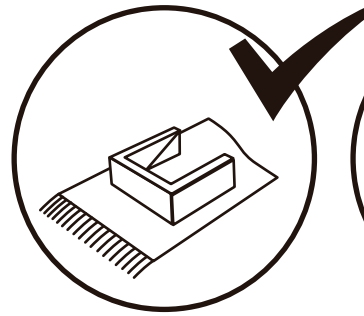
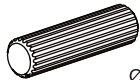



CHARME

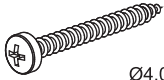


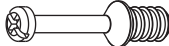


A		41
	$\varnothing 8,0 \times 30 \text{mm}$	


G		09
----------	-------------------------------------------------------------------------------------	-----------


M		02
	$\varnothing 6,0 \text{mm}$	

B		28
	$\varnothing 4,0 \times 30 \text{mm}$	

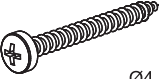
H		09
----------	-------------------------------------------------------------------------------------	-----------


N		01
----------	---------------------------------------------------------------------------------------	-----------


C		18
	$\varnothing 3,5 \times 16 \text{mm}$	

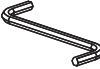
I		02
	350mm	

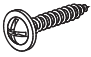
O		01
----------	---------------------------------------------------------------------------------------	-----------


D		11
	$\varnothing 4,5 \times 50 \text{mm}$	

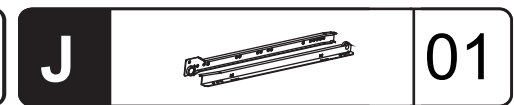
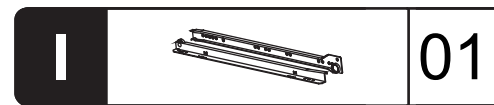
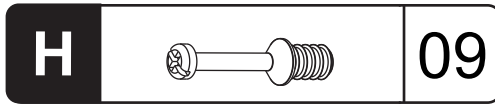
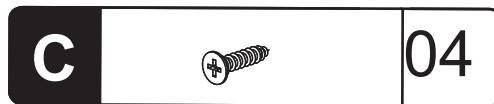
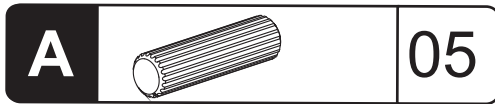
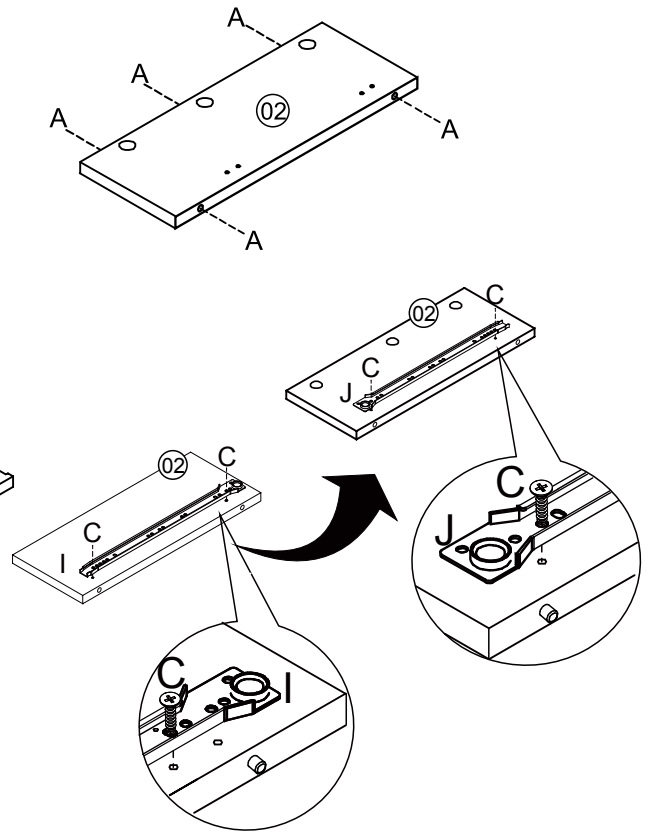
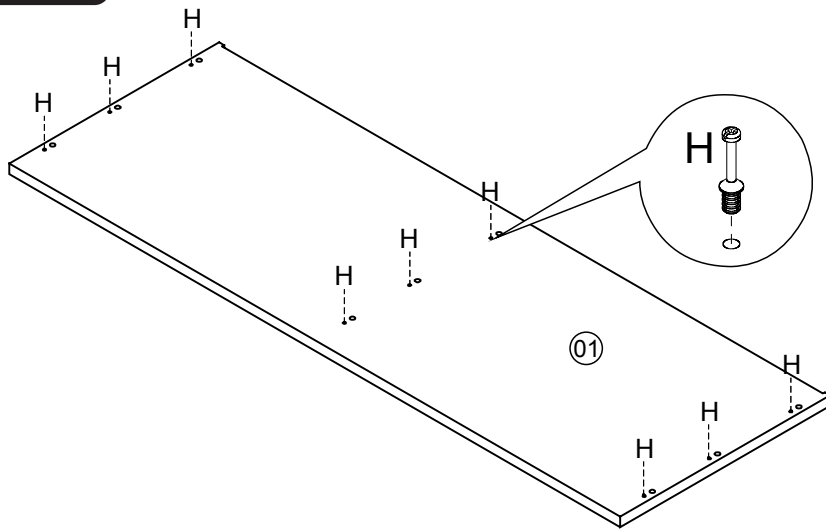
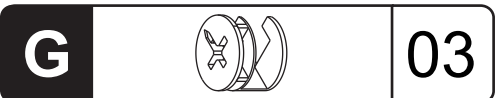
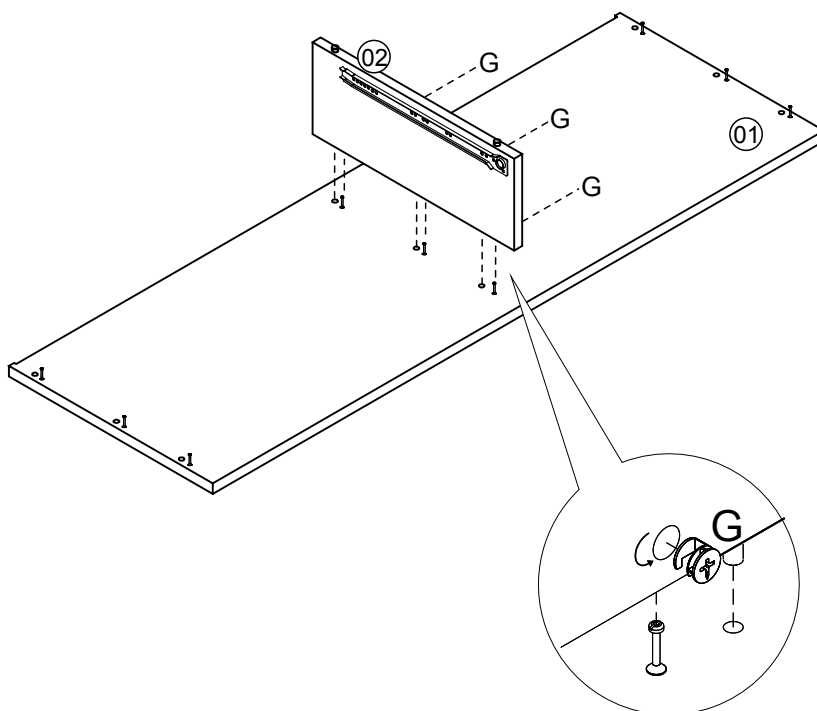
J		02
	350mm	

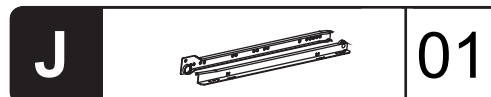
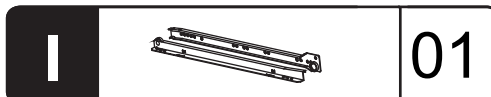
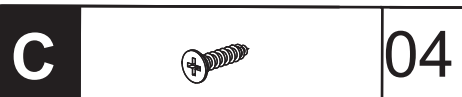
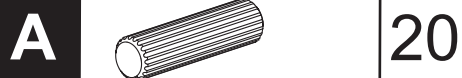
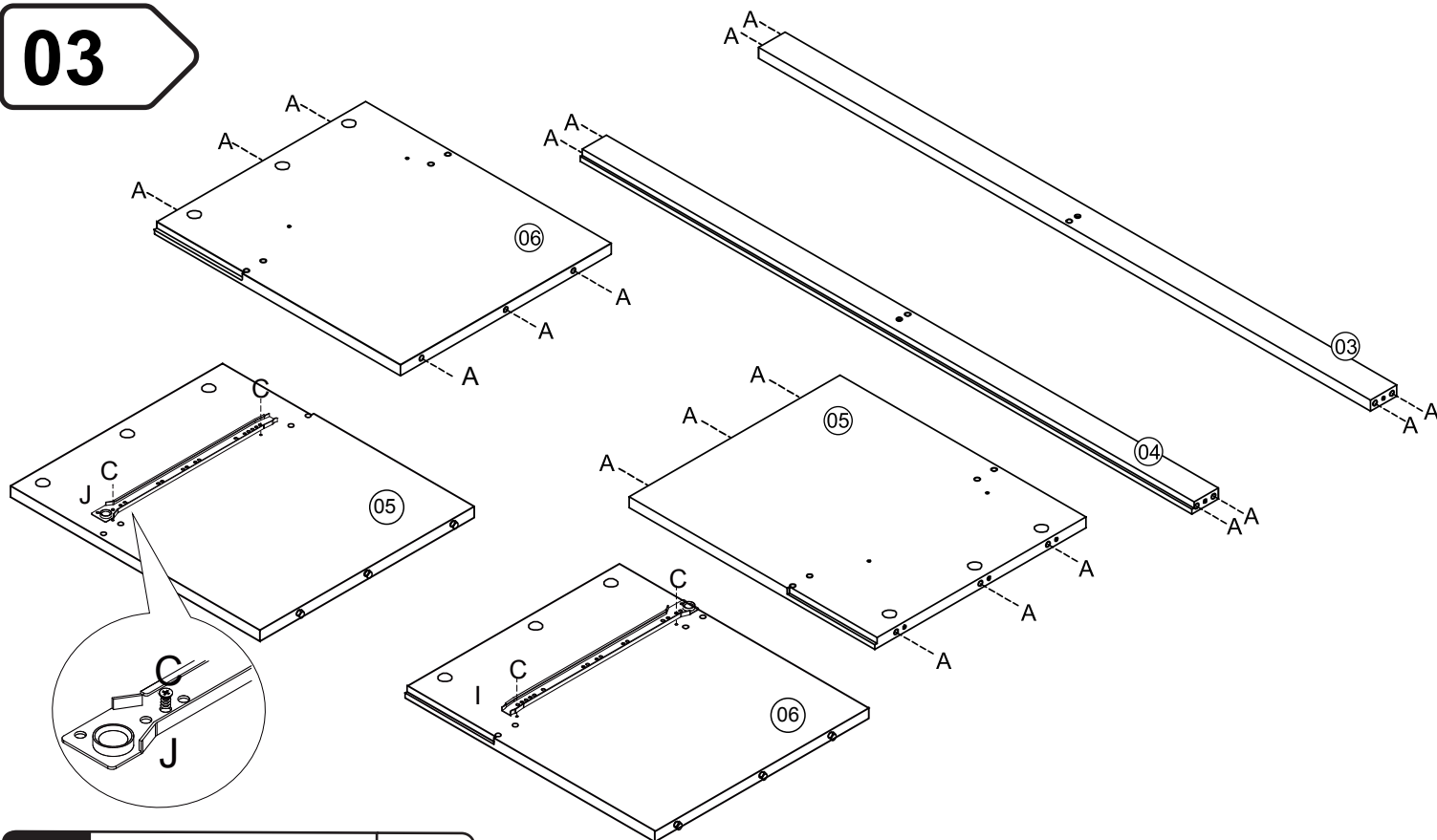
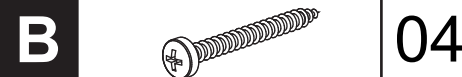
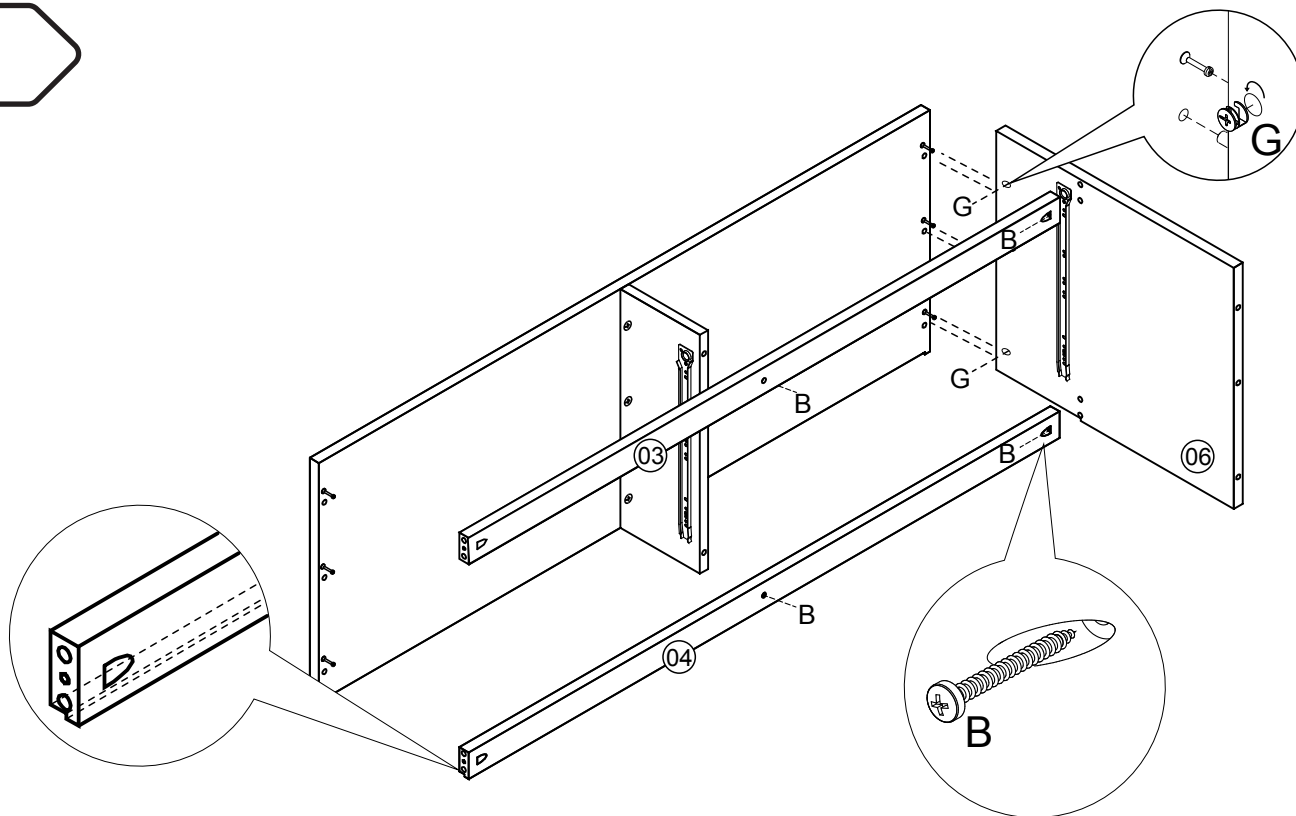
E		02
	$\varnothing 7,0 \times 50 \text{mm}$ 17mm	

K		01
----------	-------------------------------------------------------------------------------------	-----------

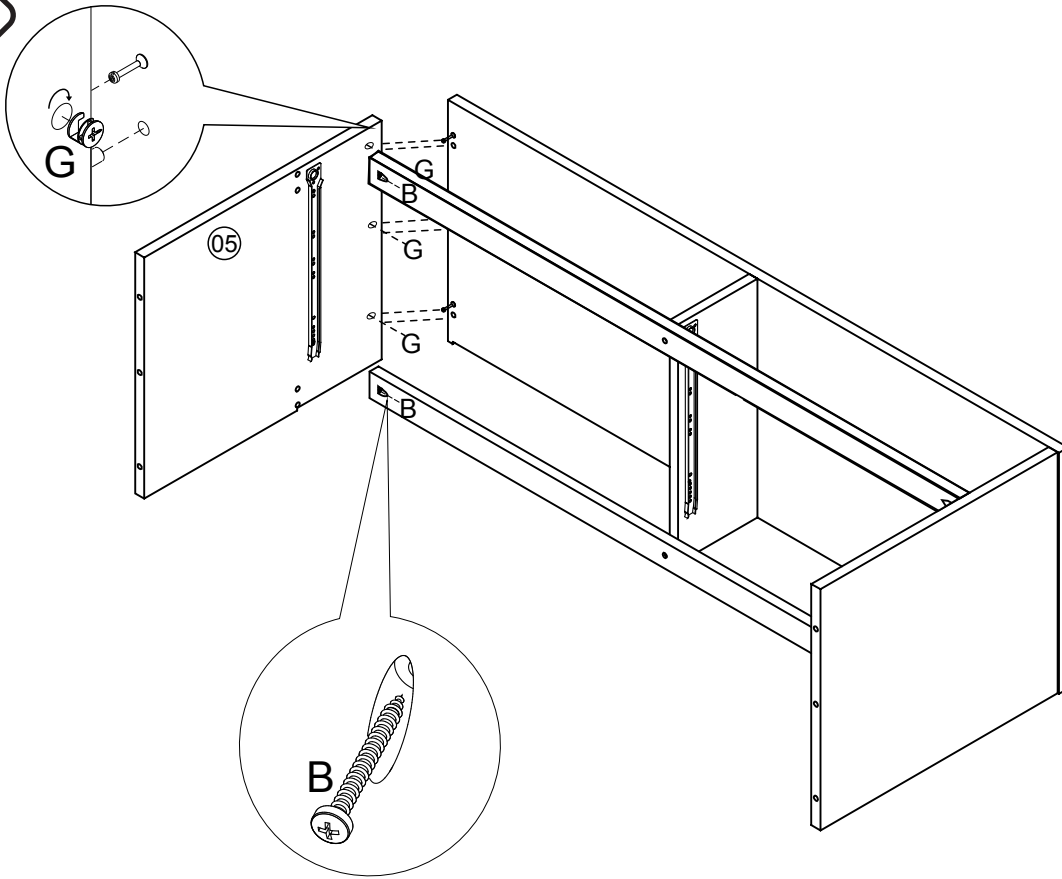
F		13
	$\varnothing 3,0 \times 16 \text{mm}$	

L		02
	46x20x10mm	

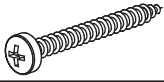
01**02**

03**04**

05



B



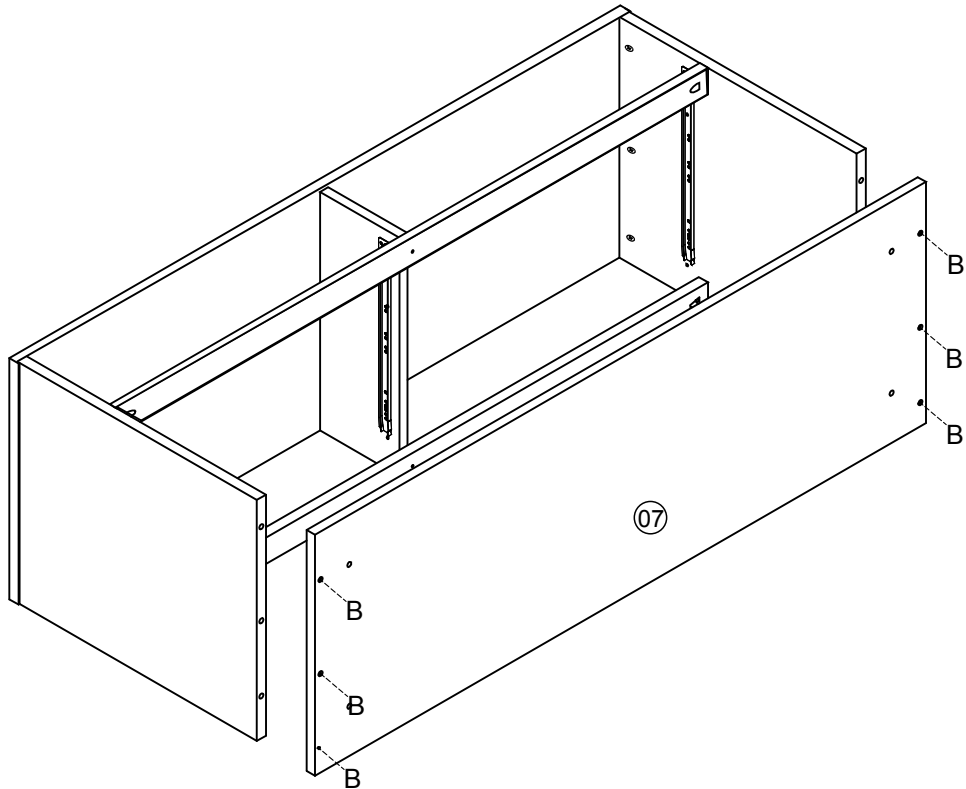
02

G

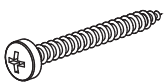


03

06

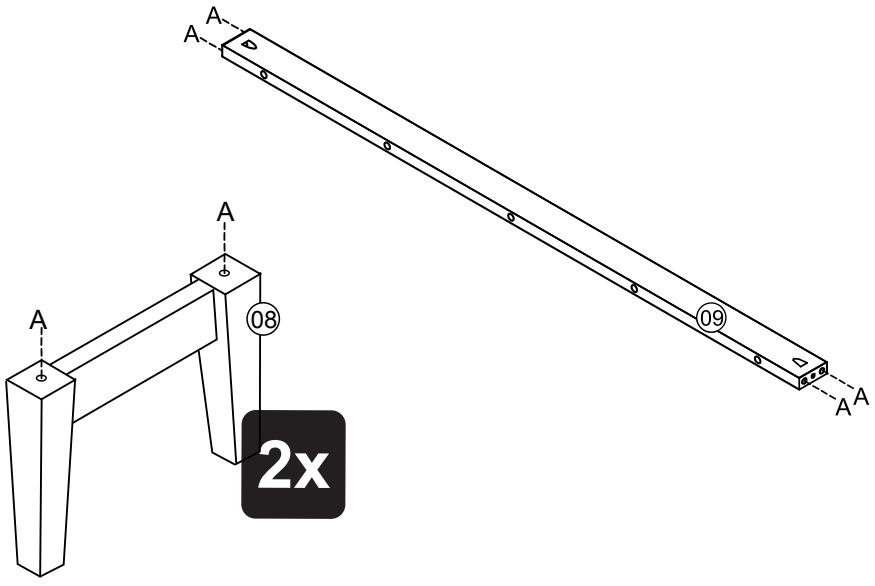


B



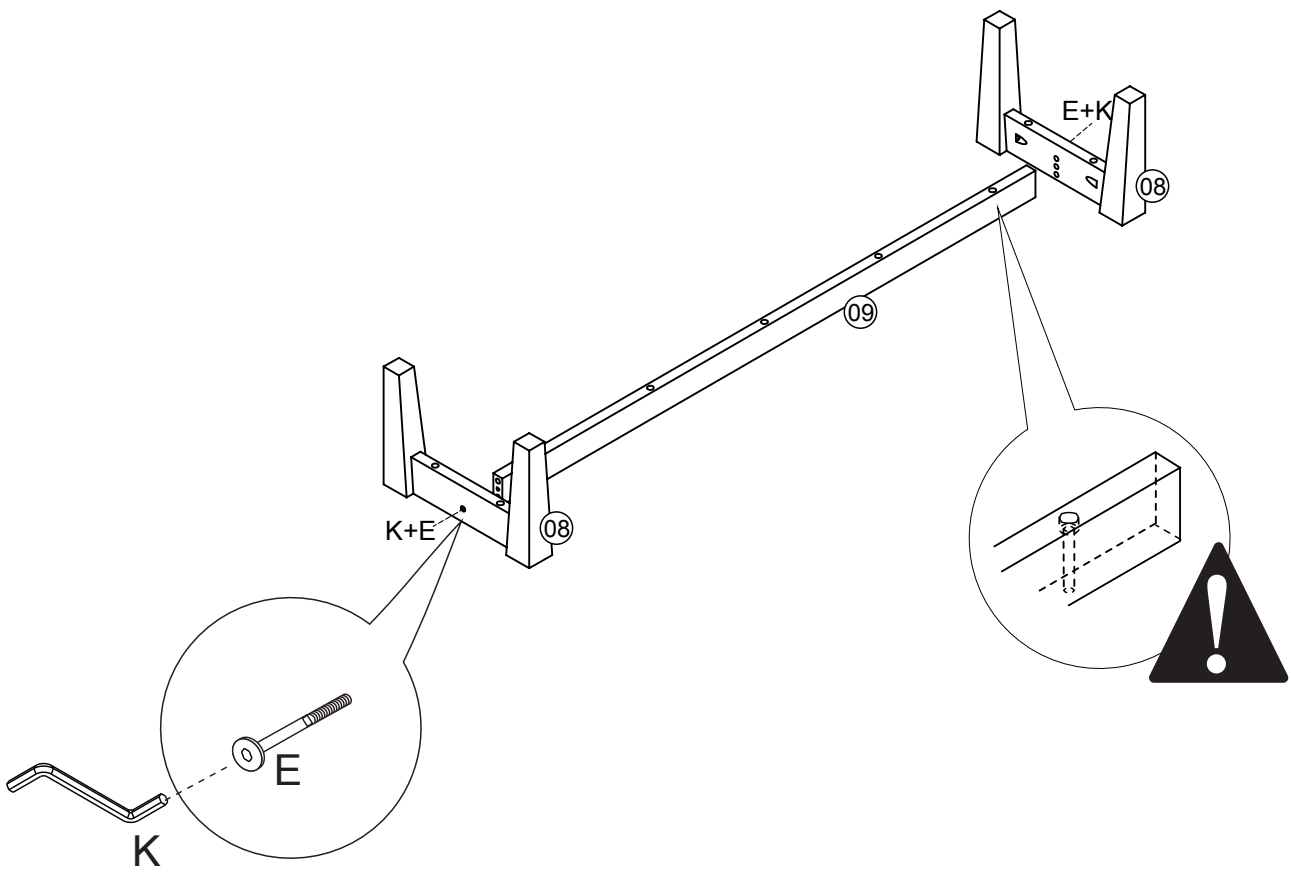
06

07



A		08
----------	--	-----------

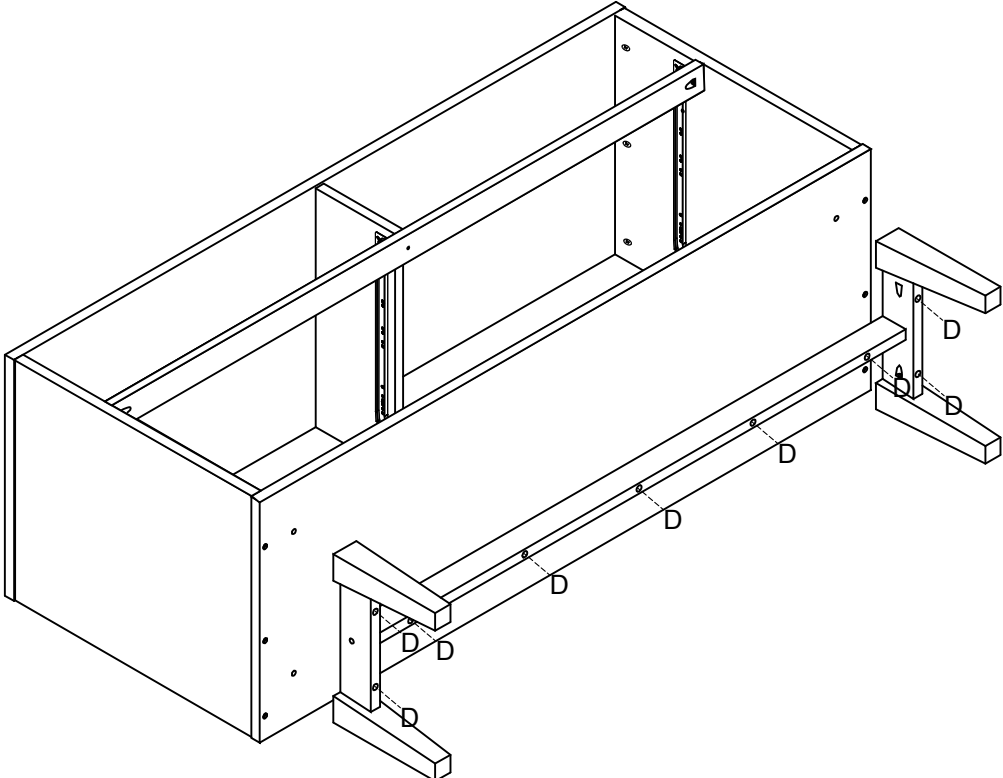
08

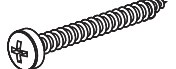


E		02
----------	--	-----------

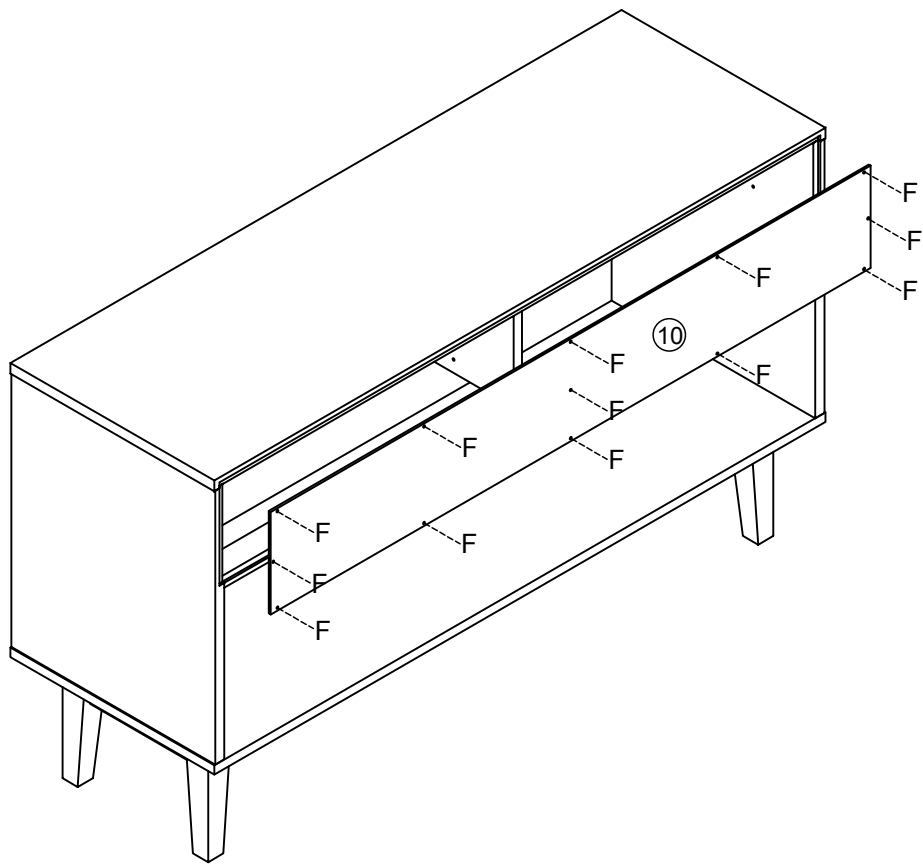
K		01
----------	--	-----------

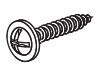
09



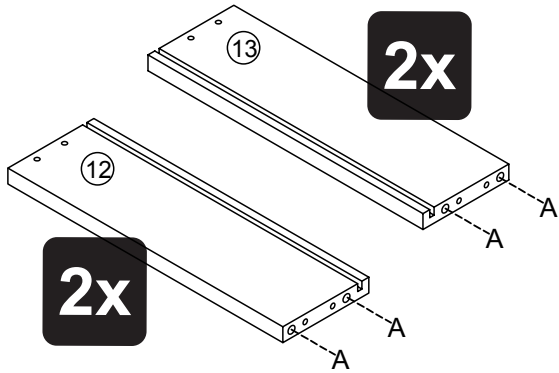
D		09
----------	------------------------------------------------------------------------------------	-----------


10



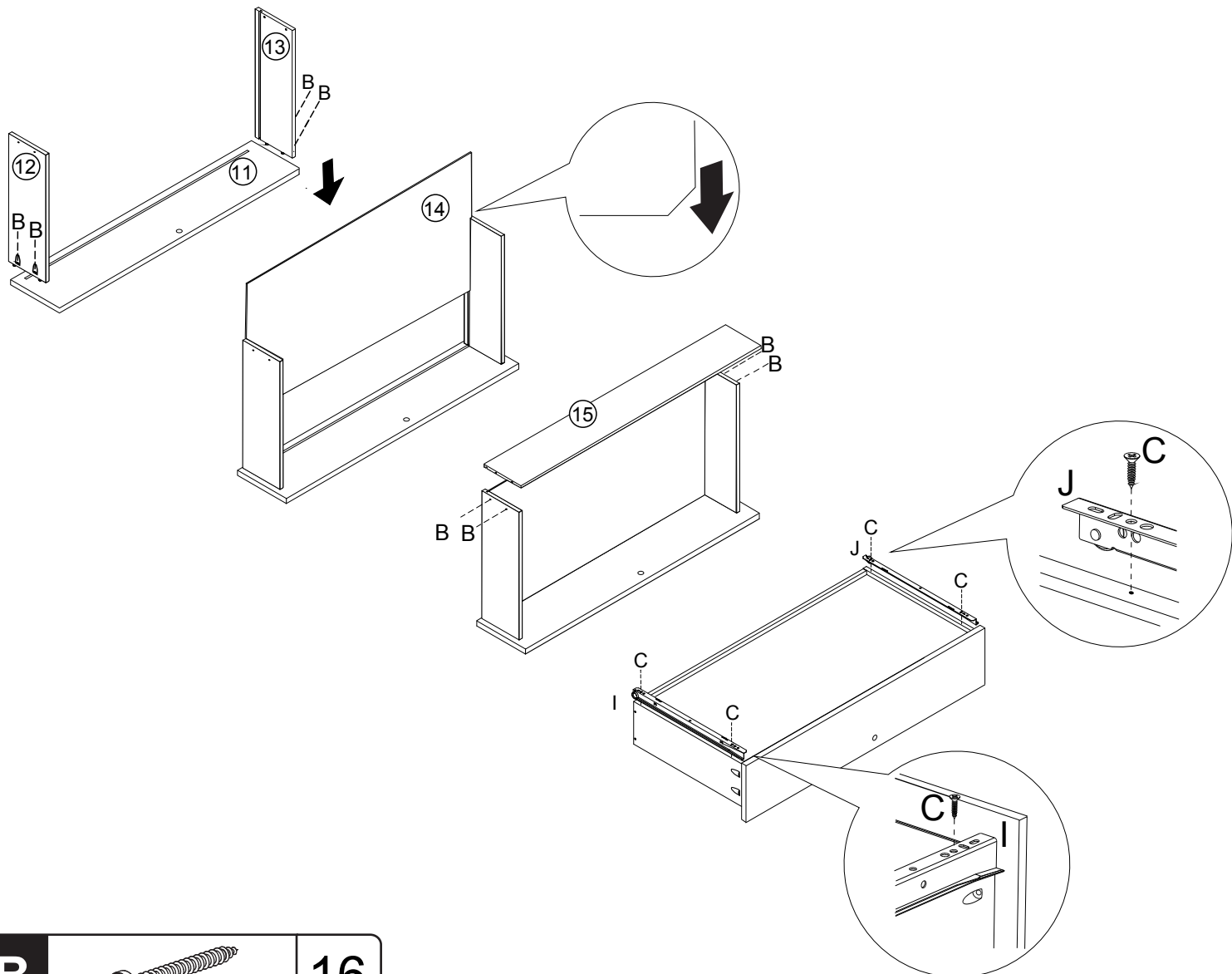
F		13
----------	-------------------------------------------------------------------------------------	-----------

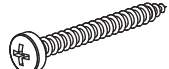
11



A		08
----------	-----------------------------------------------------------------------------------	----

12 2x



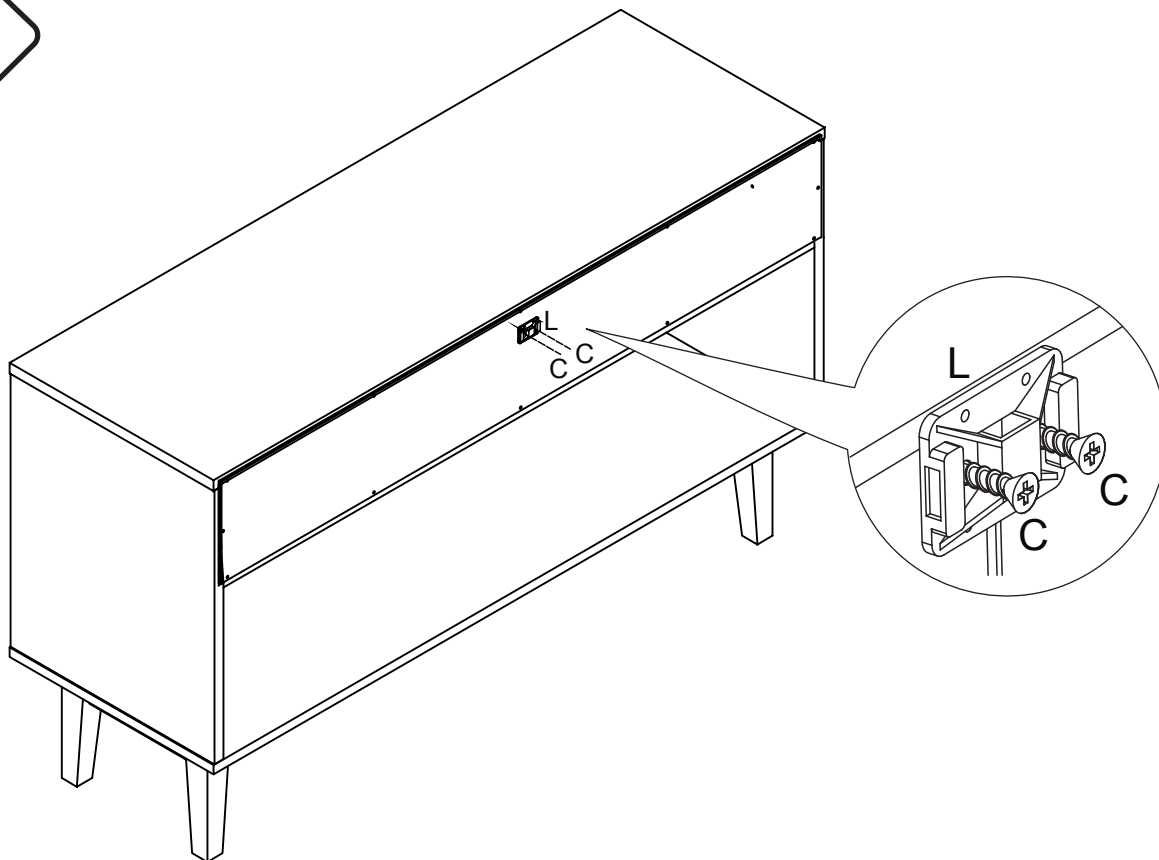
B		16
----------	-------------------------------------------------------------------------------------	----

C		08
----------	-------------------------------------------------------------------------------------	----

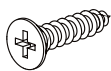
I		02
----------	-------------------------------------------------------------------------------------	----

J		02
----------	---------------------------------------------------------------------------------------	----

13



C



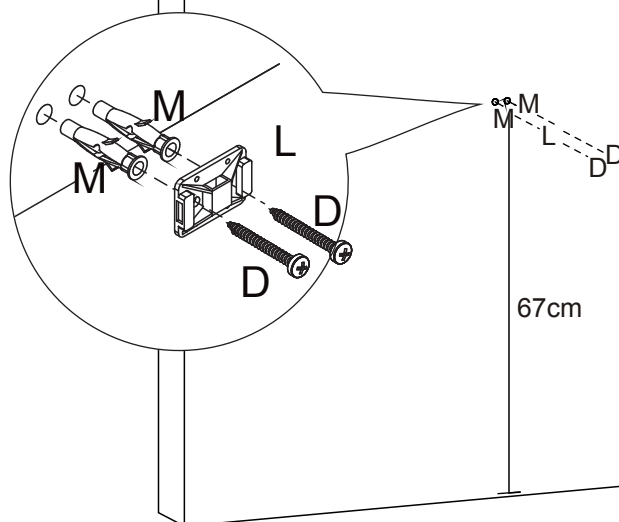
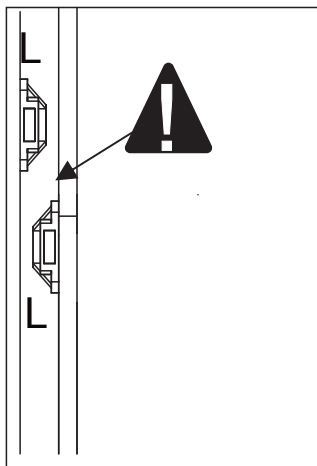
02

L



01

14



D



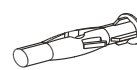
02

L



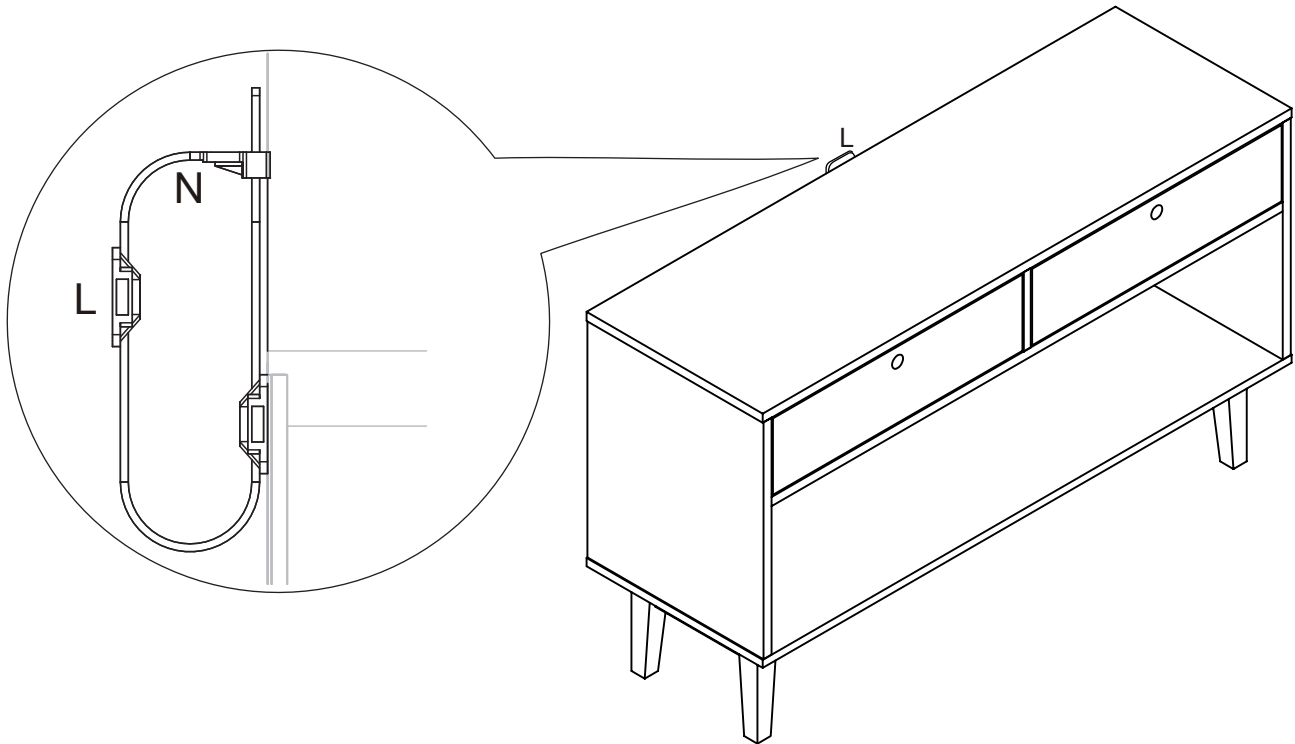
01


M



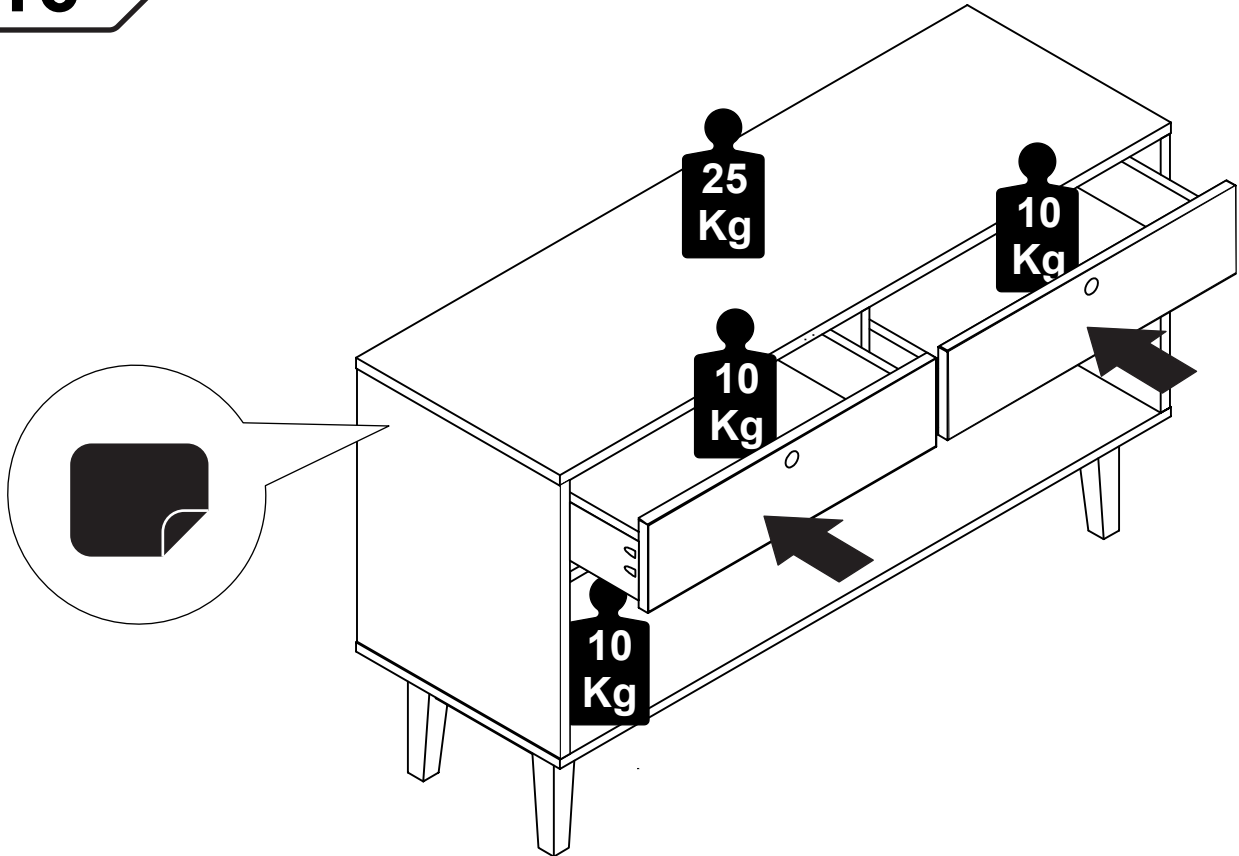
02

15



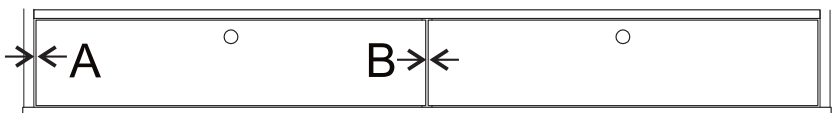
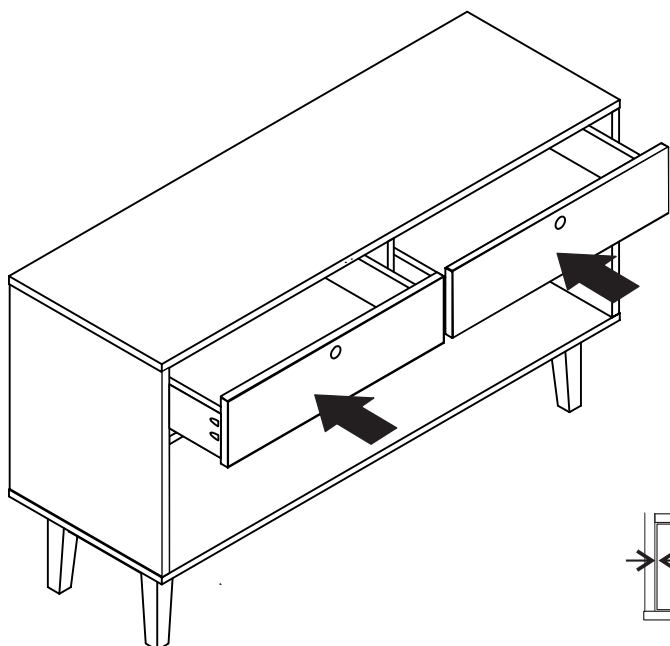
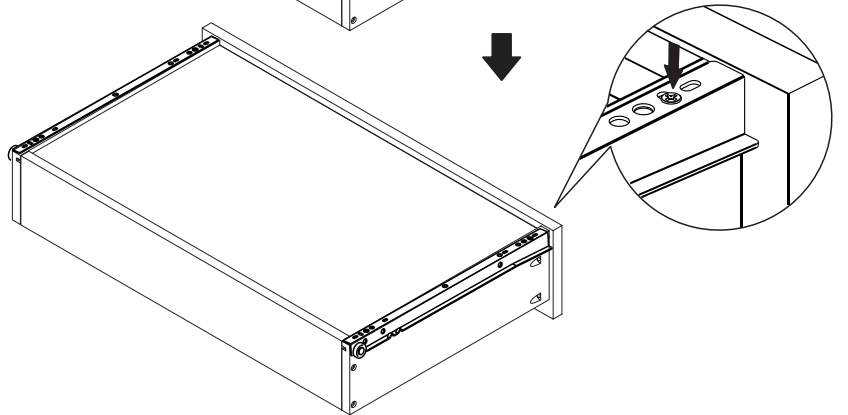
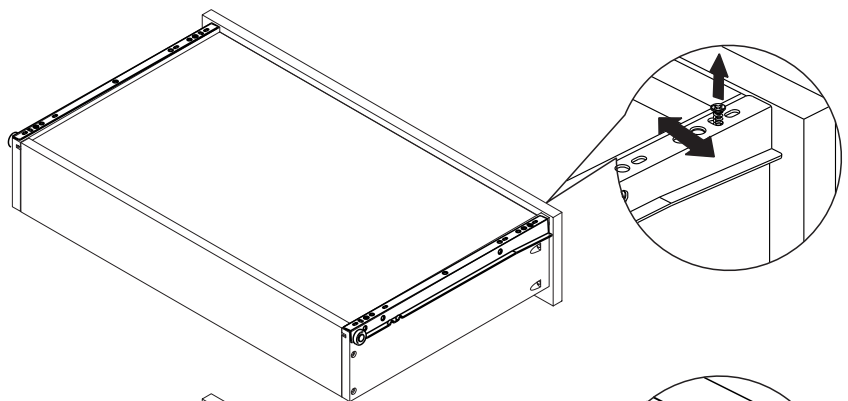
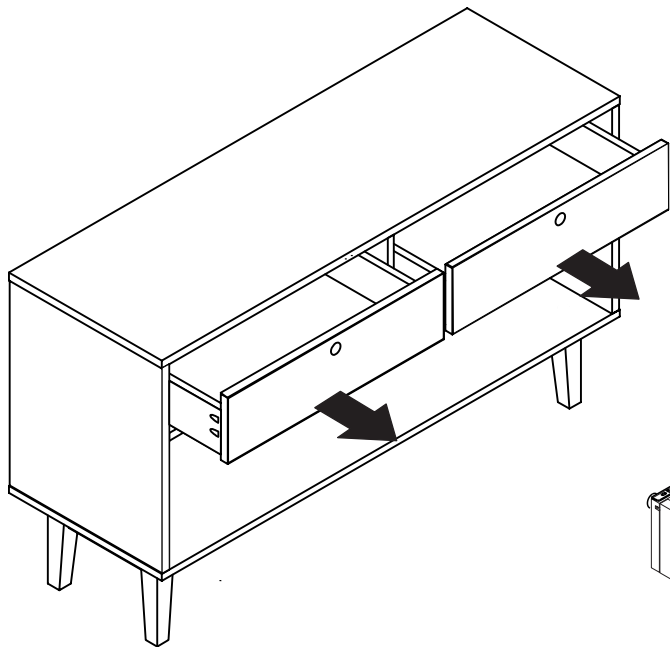
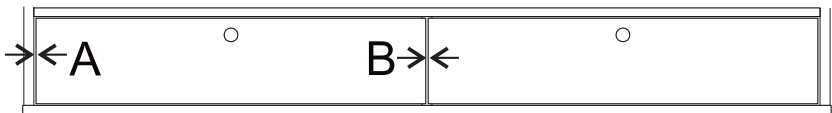
N  **01**

16



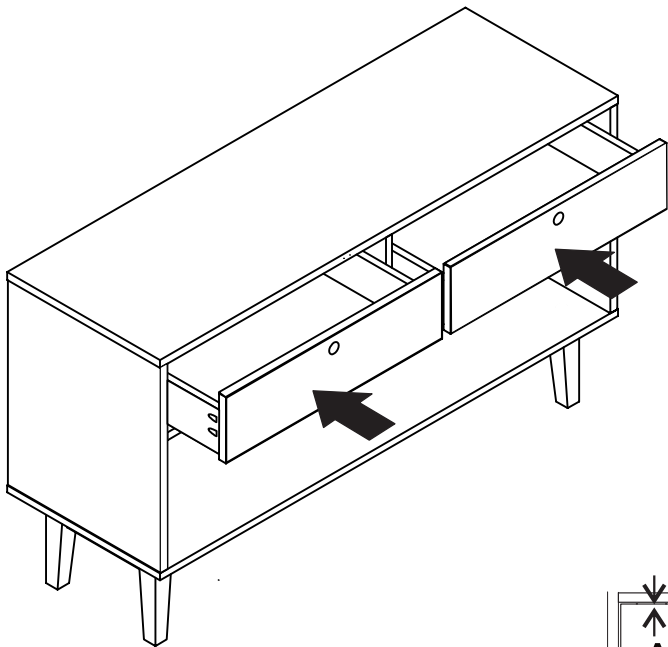
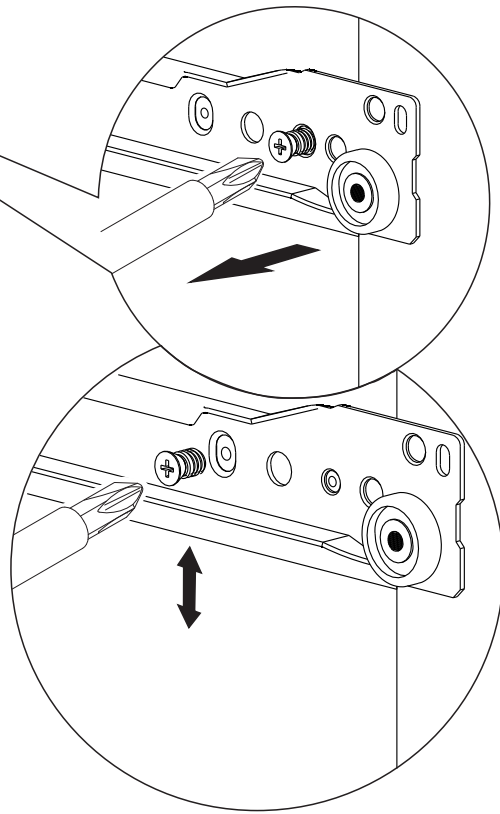
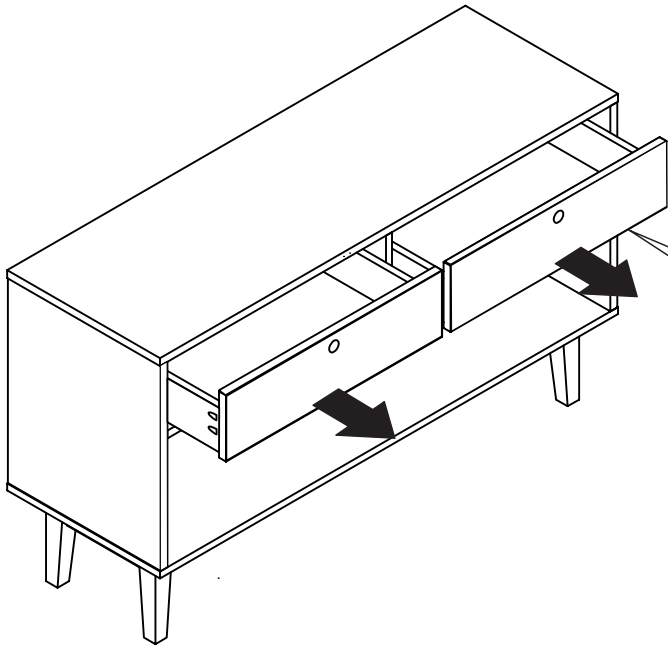
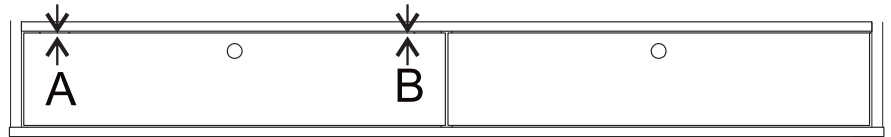
O  **01**

A≠B



A=B

A≠B



A=B