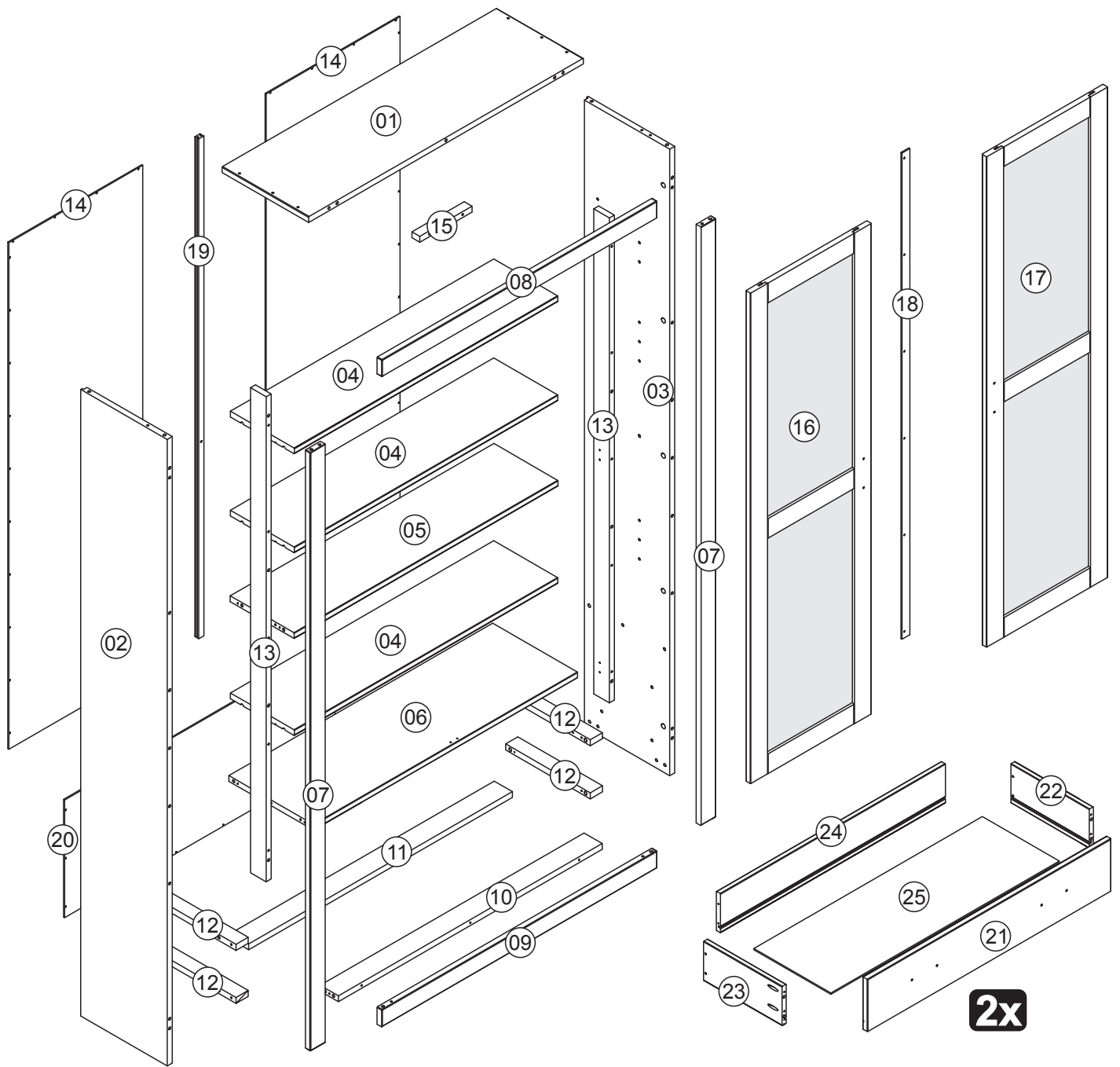
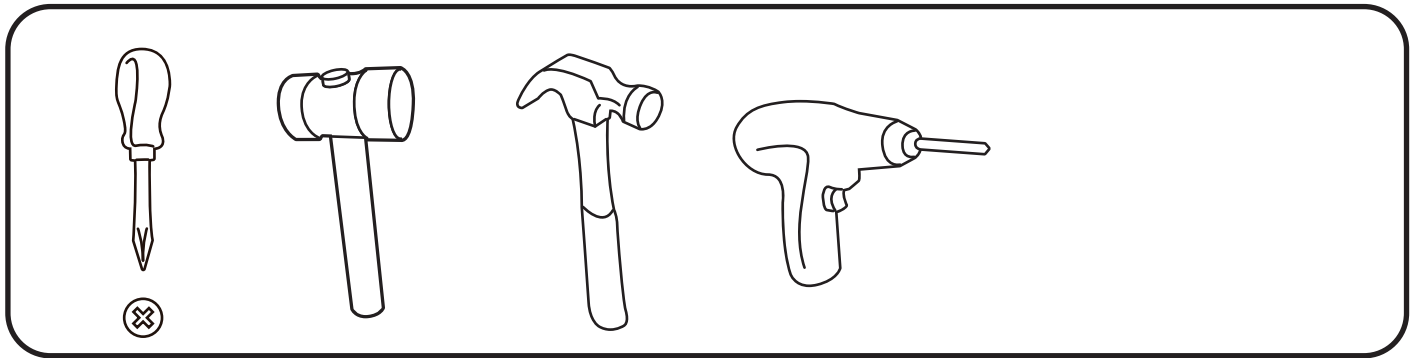
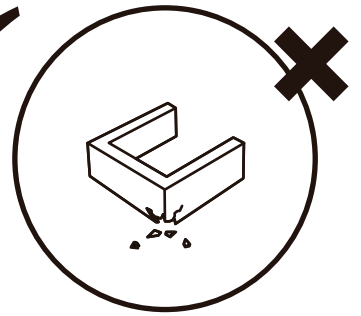
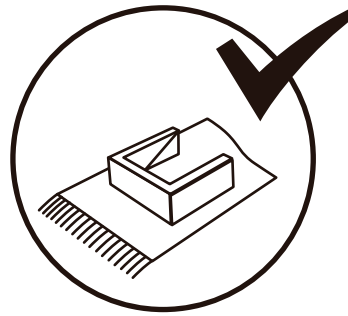

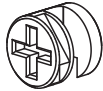


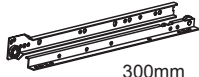
EURO






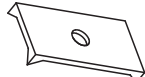
A	 Ø8,0x25mm	60
----------	--	----

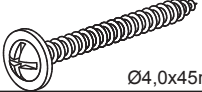
H	 Ø15mm	17
----------	--	----

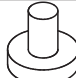
O	 300mm	02
----------	--	----


B	 Ø4,0x30mm	48
----------	--	----

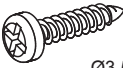
I		06
----------	---	----

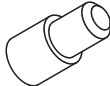
P		06
----------	---	----


C	 Ø4,0x45mm	16
----------	--	----

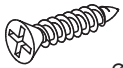
J		04
----------	---	----


Q		02
----------	---	----


D	 Ø3,5x16mm	85
----------	--	----

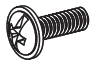
K		12
----------	---	----


R		02
----------	---	----

E	 Ø3,5x16mm	16
----------	--	----

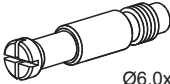
L		06
----------	---	----

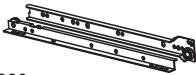
S		01
----------	---	----

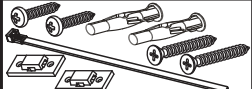
F	 M4 x 22mm	12
----------	--	----

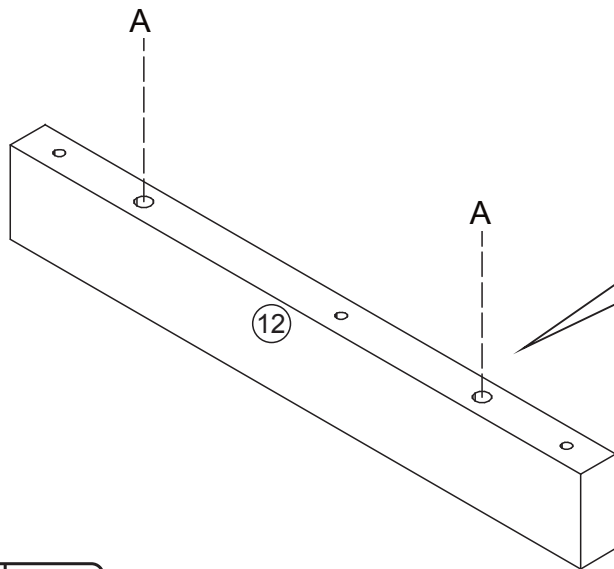
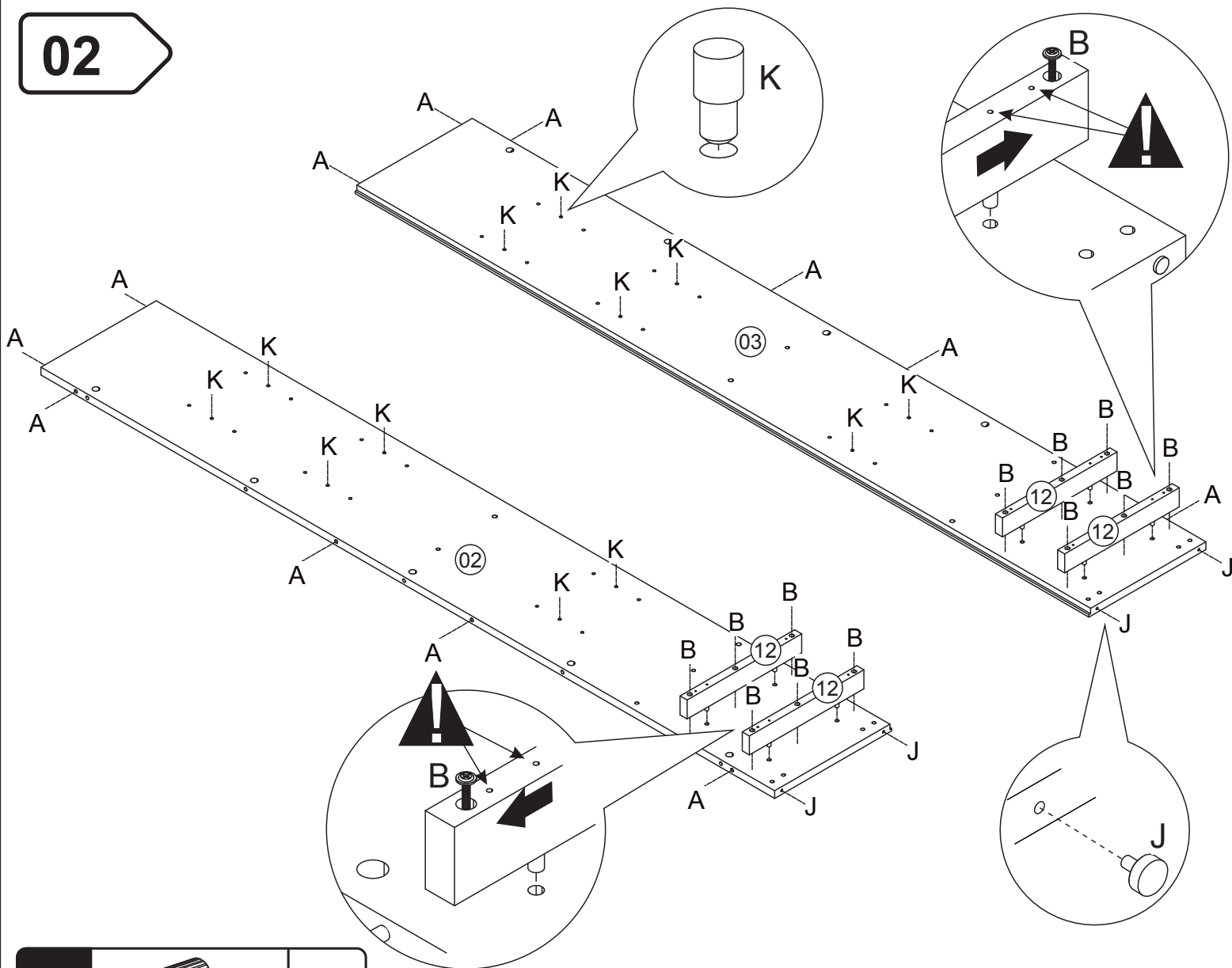
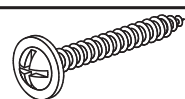
M		06
----------	---	----

T		01
----------	---	----

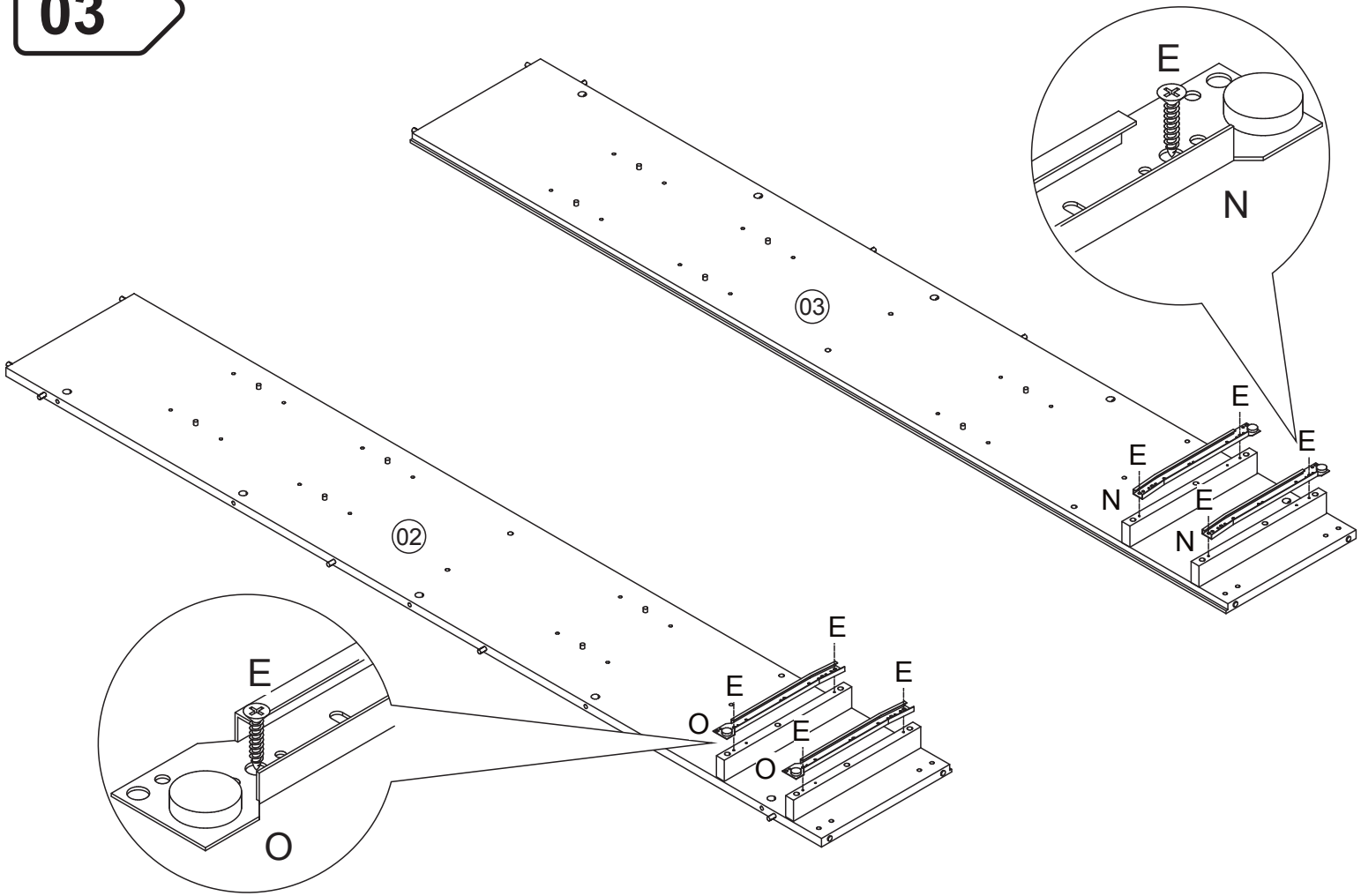
G	 Ø6,0x35mm	17
----------	--	----

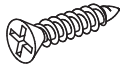
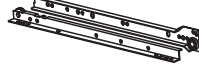

N	 300mm	02
----------	--	----

Z		01
----------	---	----

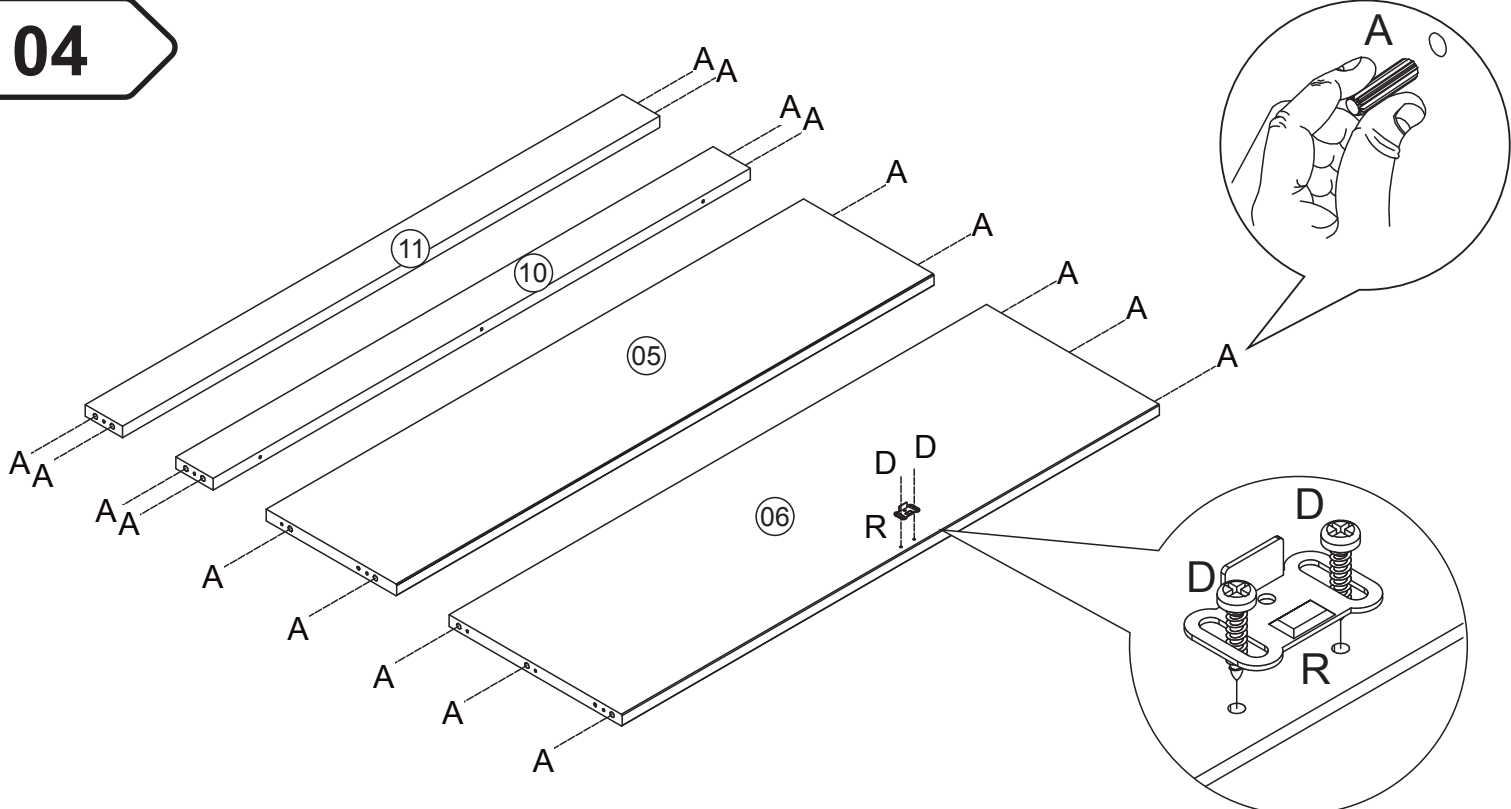
01**4x****A****08****02****A****12****B****12****J****04****K****12**


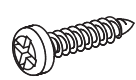

03



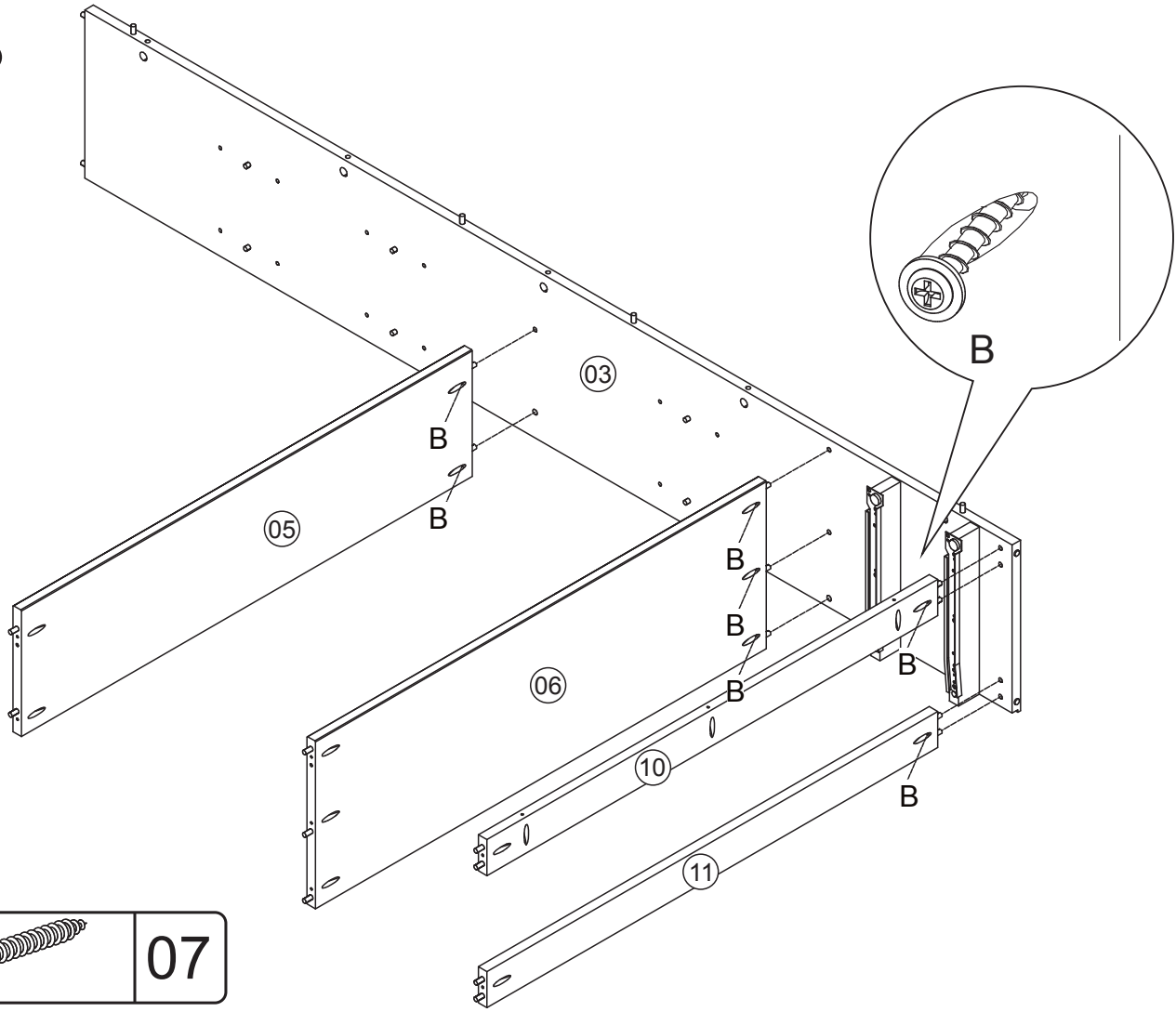
- | | | | | | | | | |
|----------|---|----|----------|---|----|----------|---|----|
| E |  | 08 | N |  | 02 | O |  | 02 |
|----------|---|----|----------|---|----|----------|---|----|

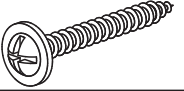
04



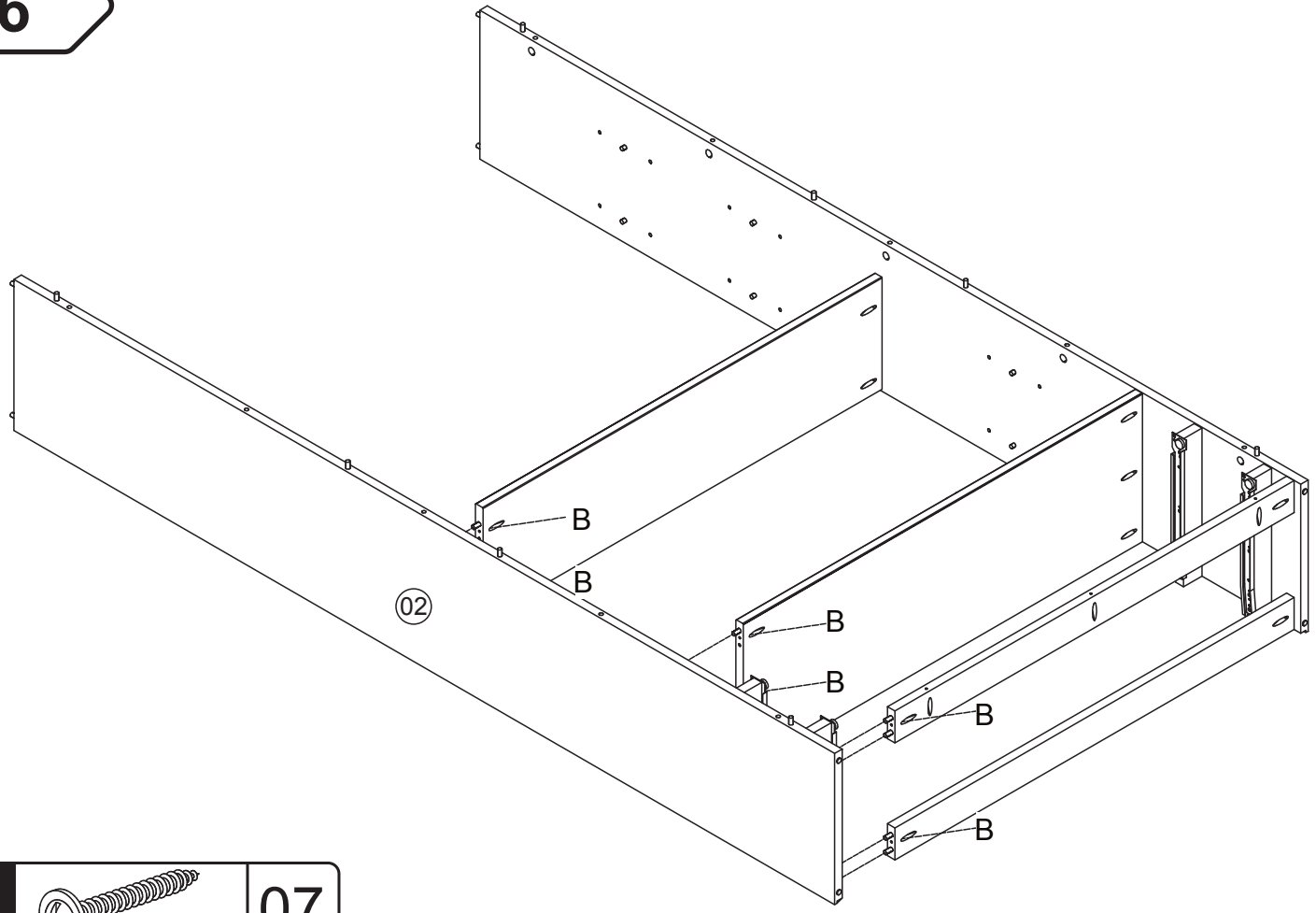
- | | | | | | | | | |
|----------|---|----|----------|---|----|----------|---|----|
| A |  | 18 | D |  | 02 | R |  | 01 |
|----------|---|----|----------|---|----|----------|---|----|

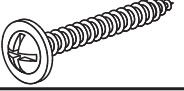
05



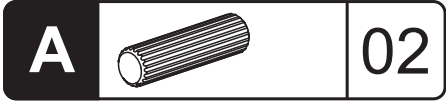
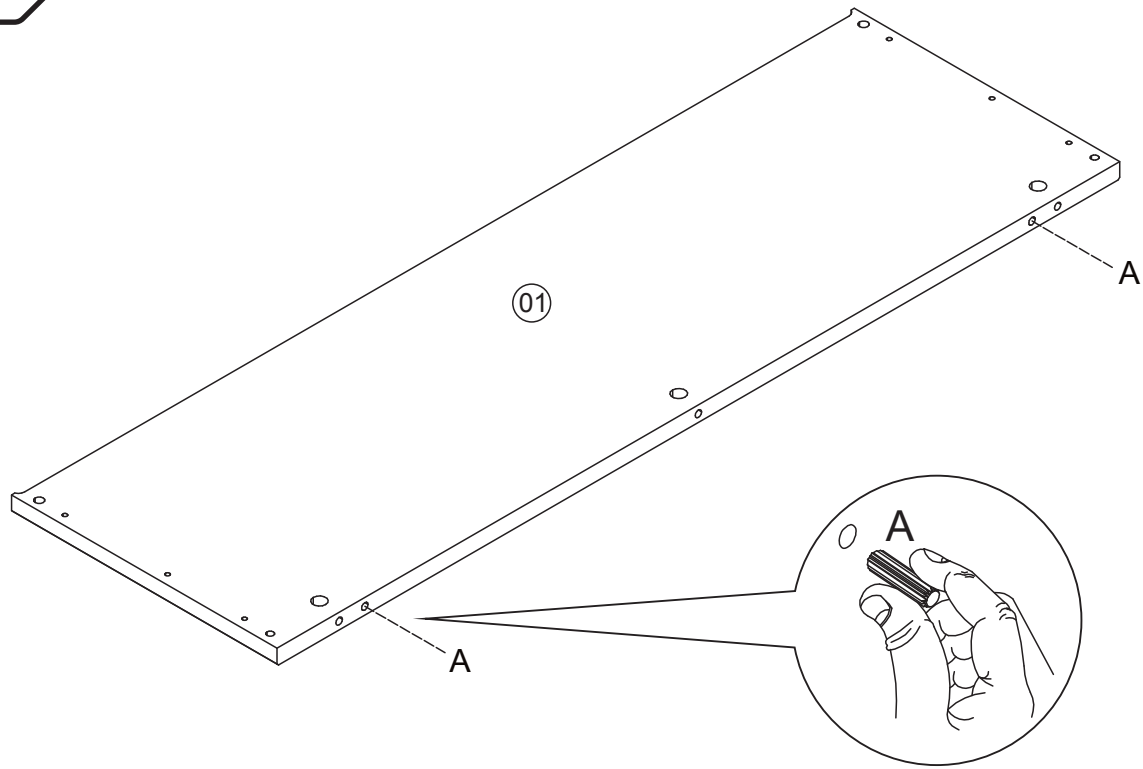
B		07
----------	---	-----------

06

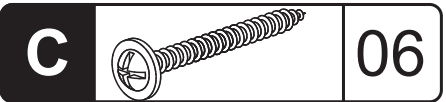
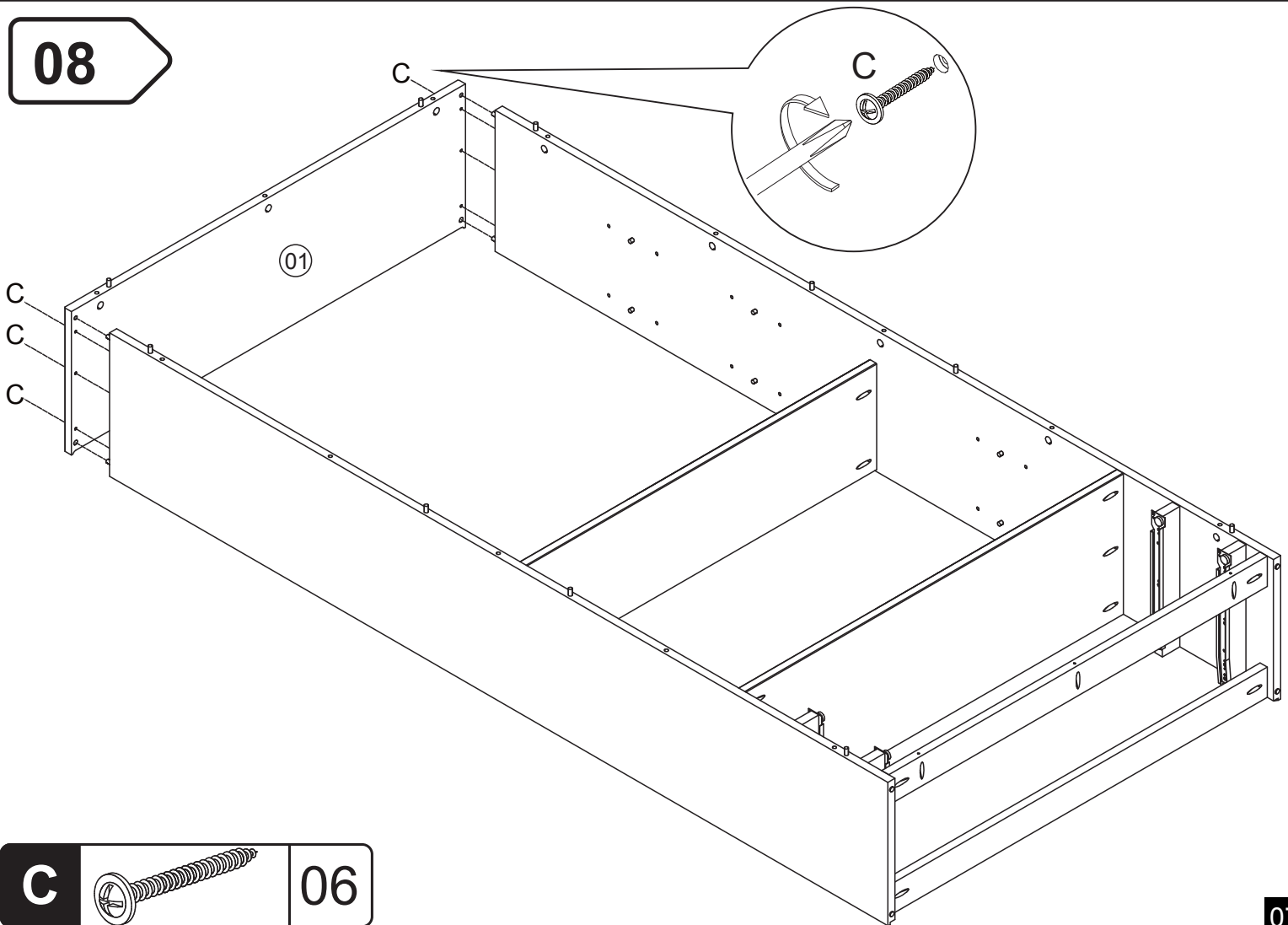


B		07
----------	---	-----------

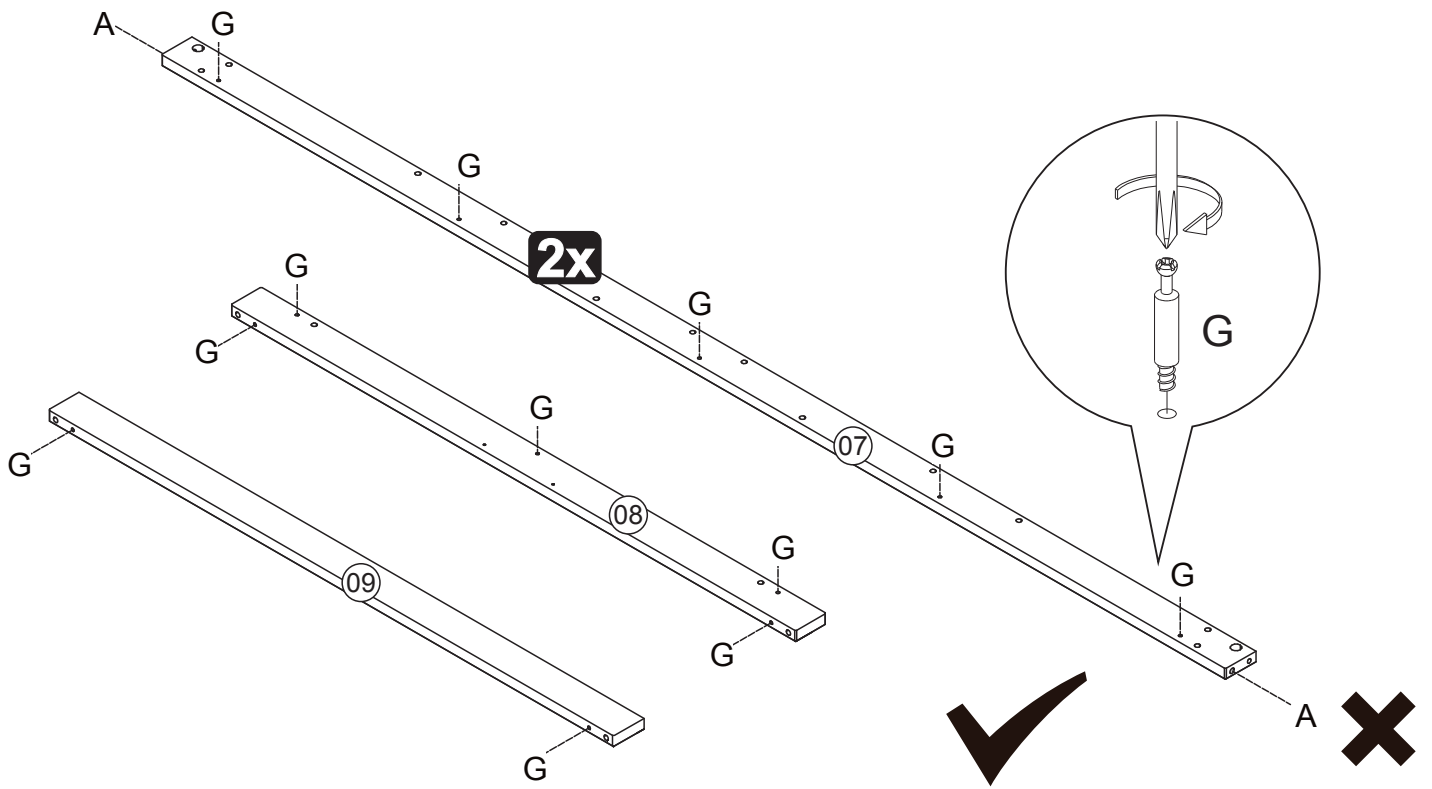
07




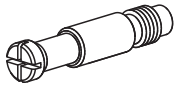
08



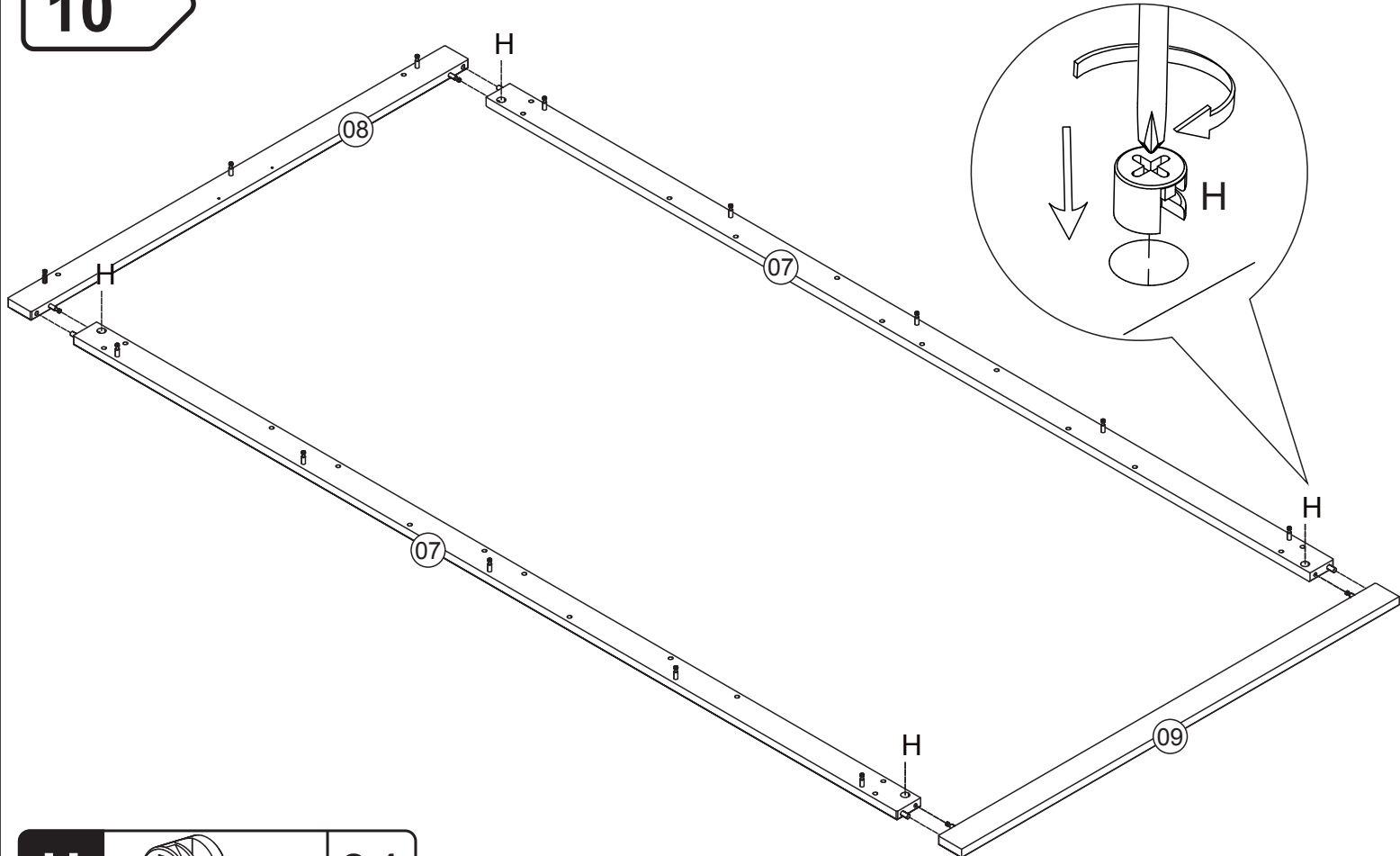
09



A		04
----------	---	-----------

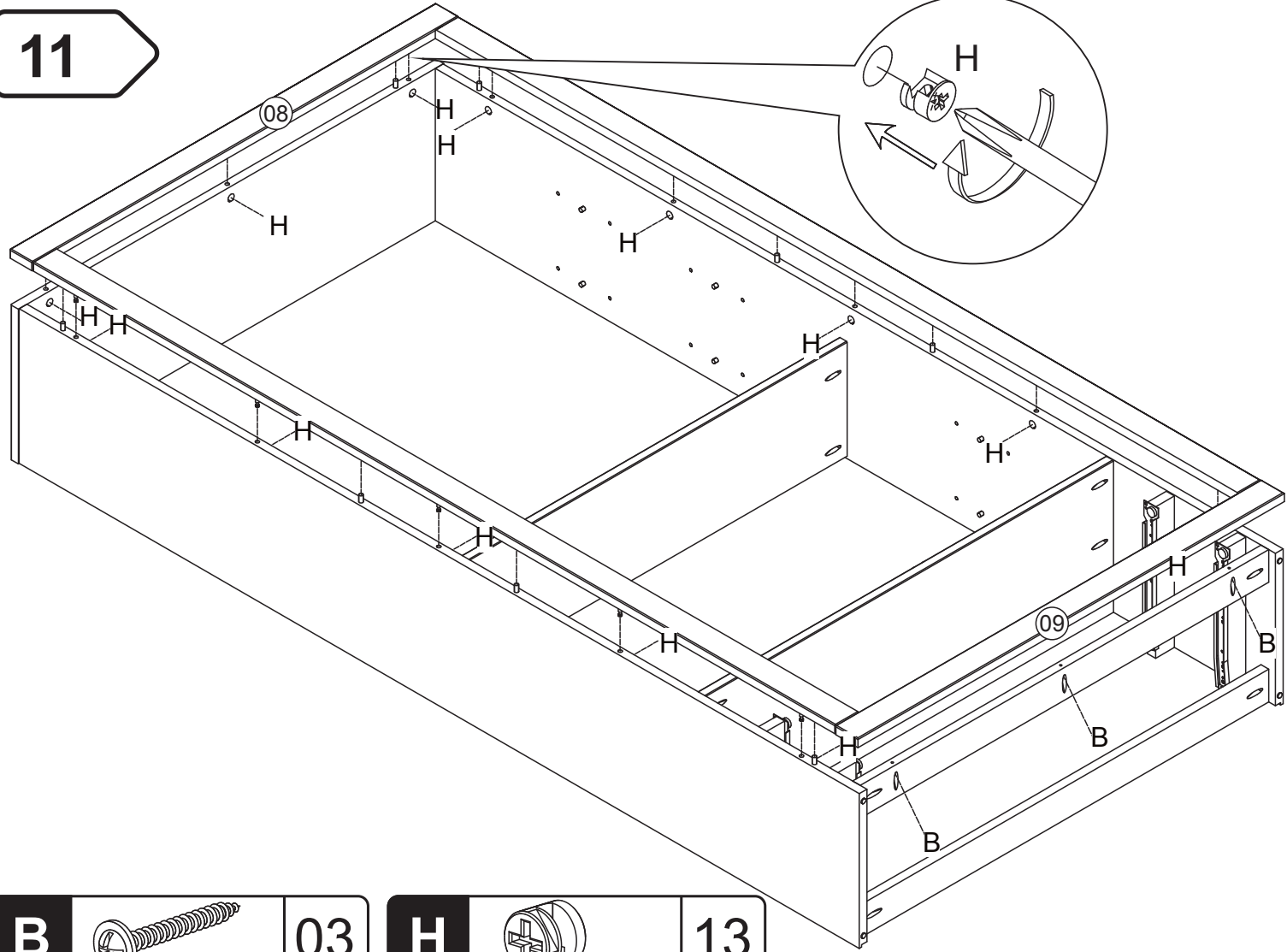
G		17
----------	---	-----------

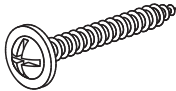
10



H		04
----------	---	-----------

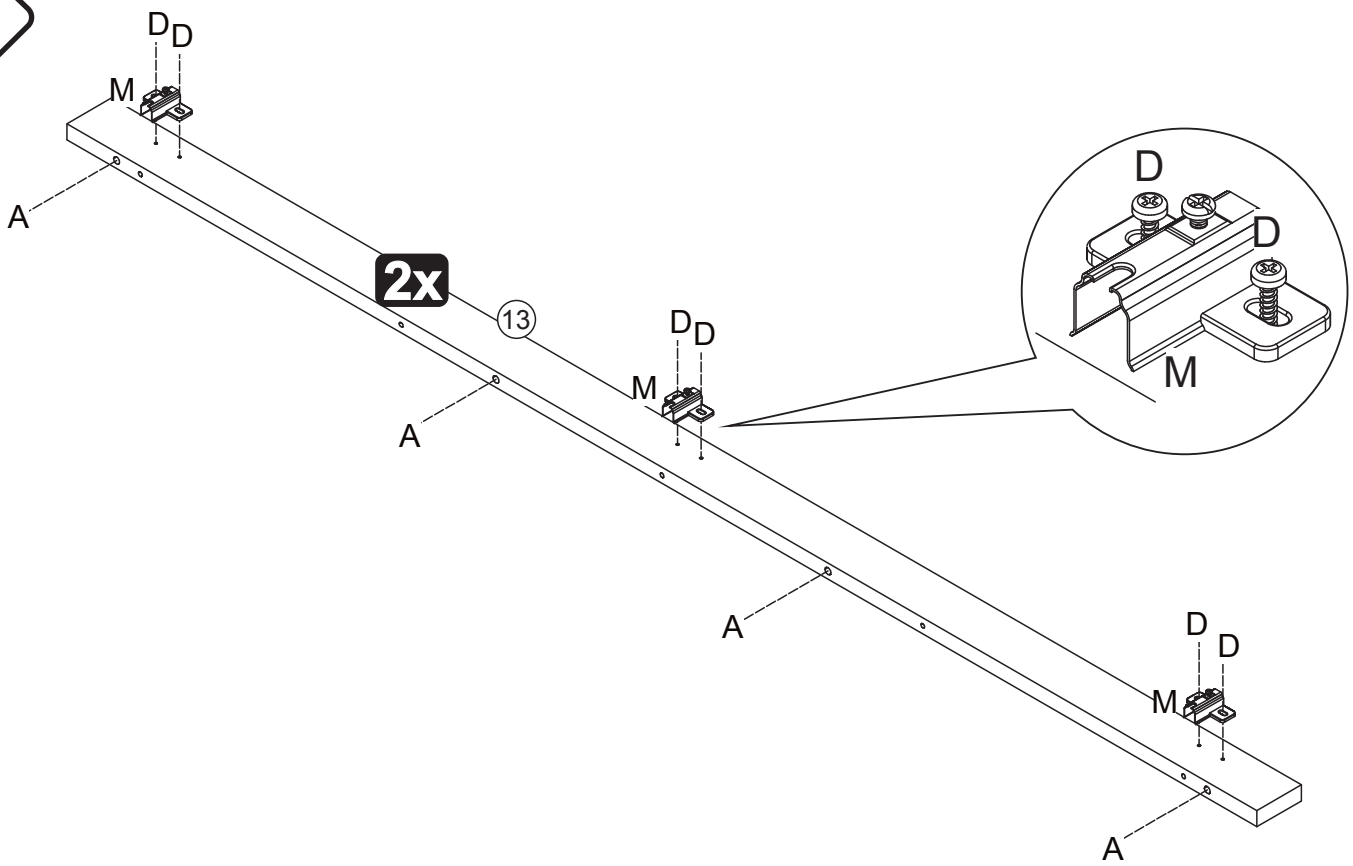
11




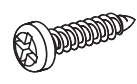
B		03
----------	---	-----------

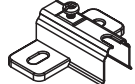
H		13
----------	---	-----------

12

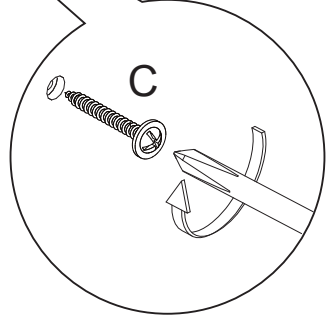
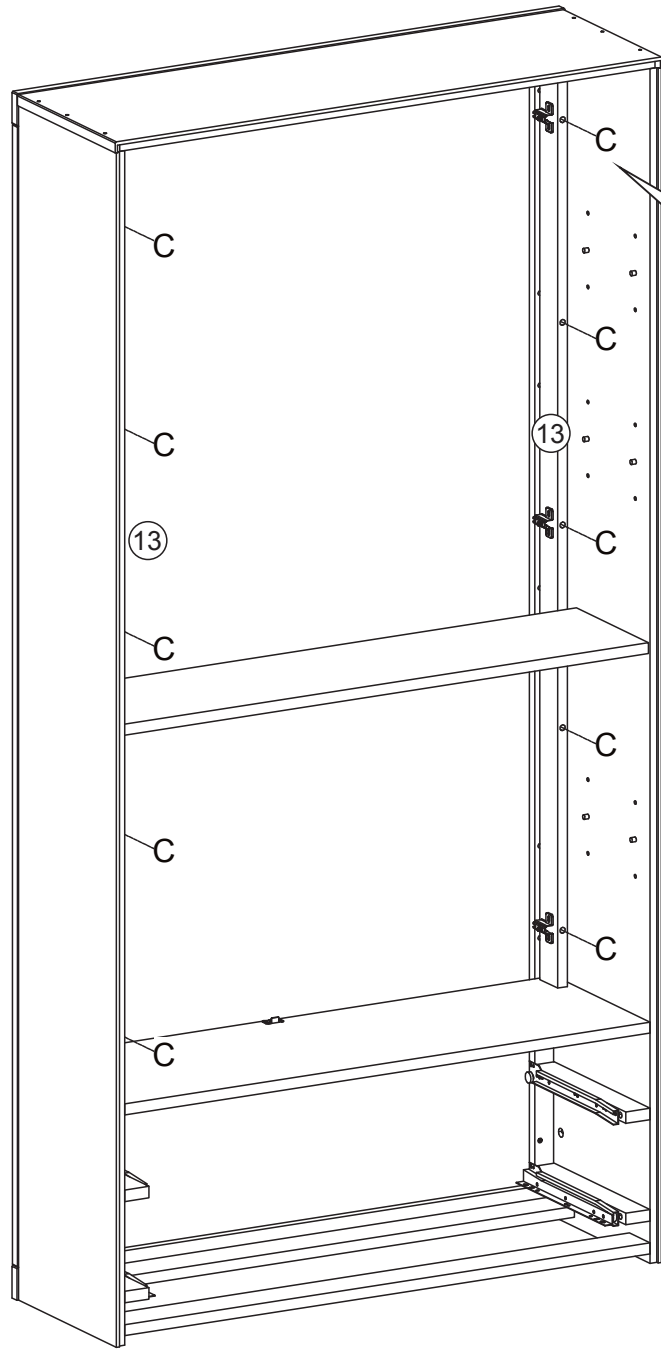


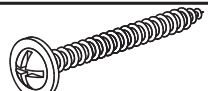
A		08
----------	---	-----------

D		12
----------	---	-----------

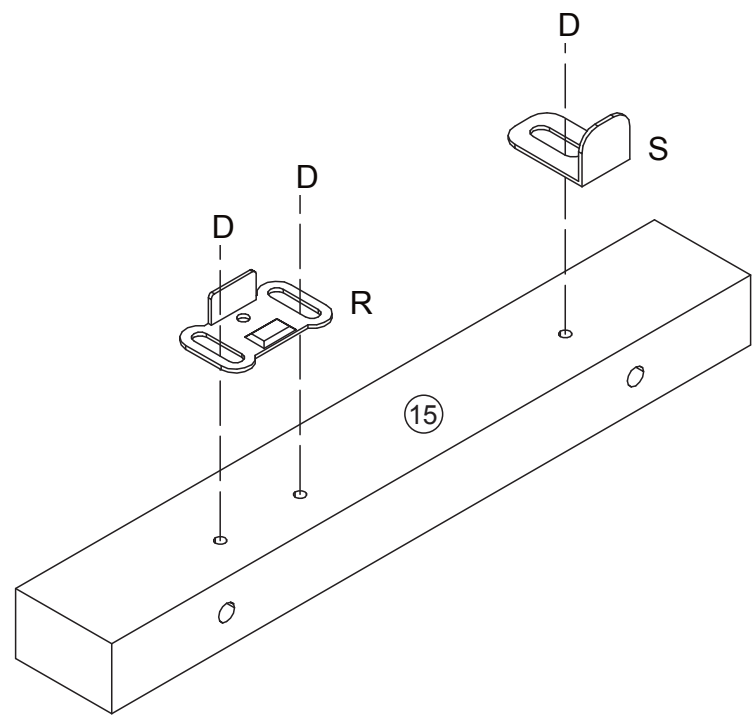
M		06
----------	---	-----------


13

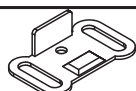



C		10
----------	---	----

14

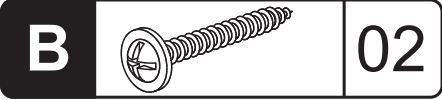
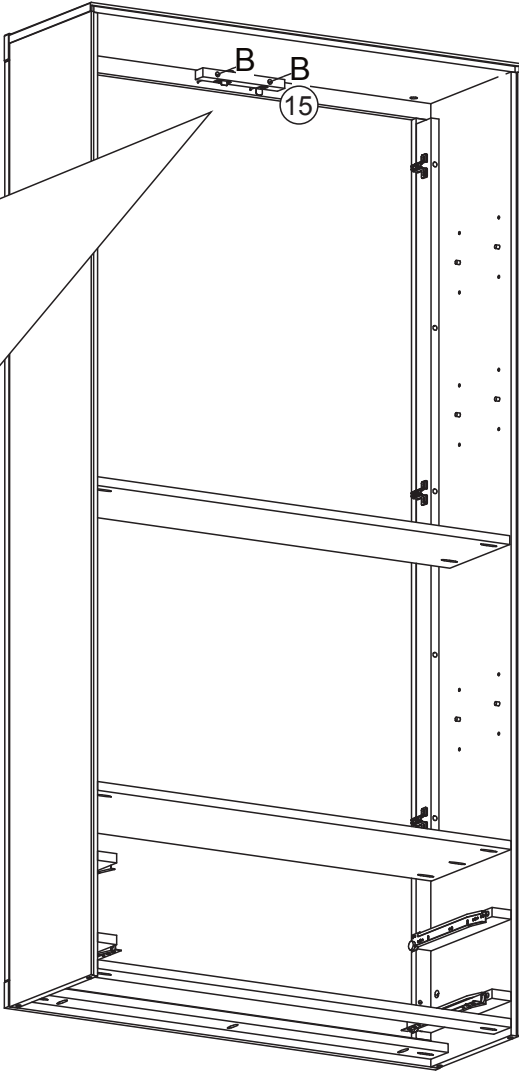
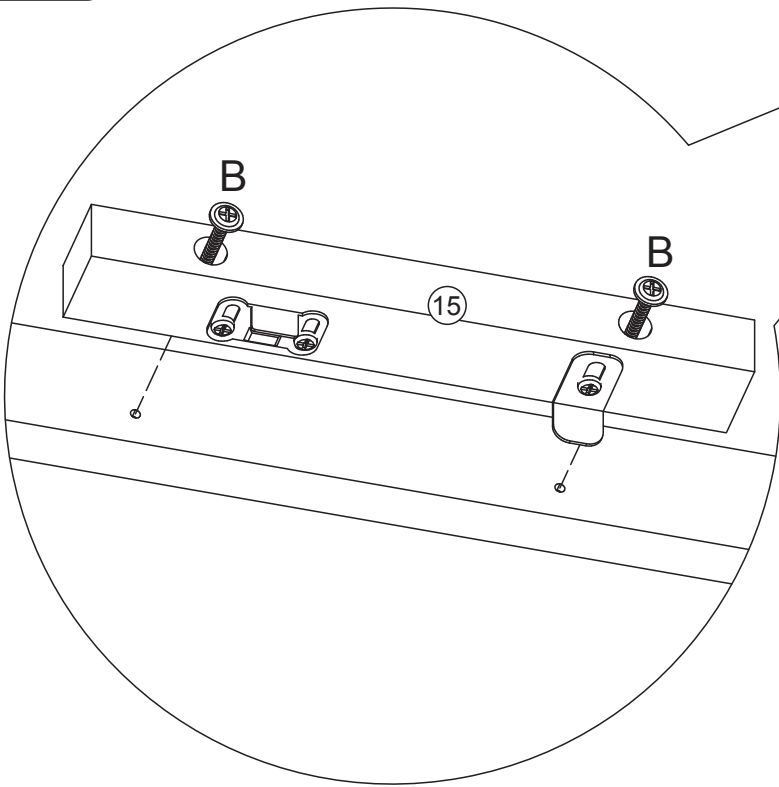


D		03
----------	---	----

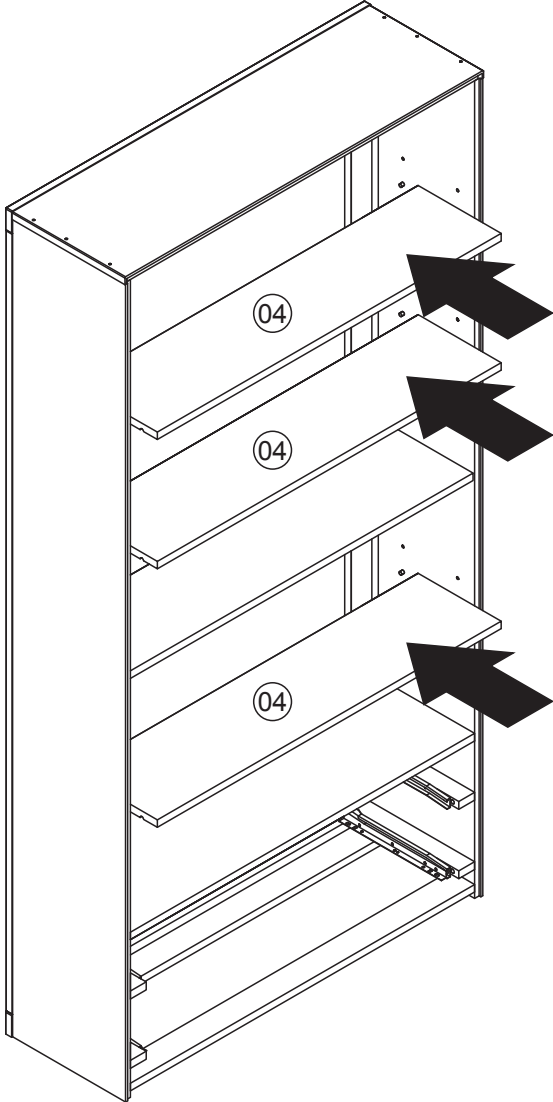
R		01
----------	---	----

S		01
----------	---	----

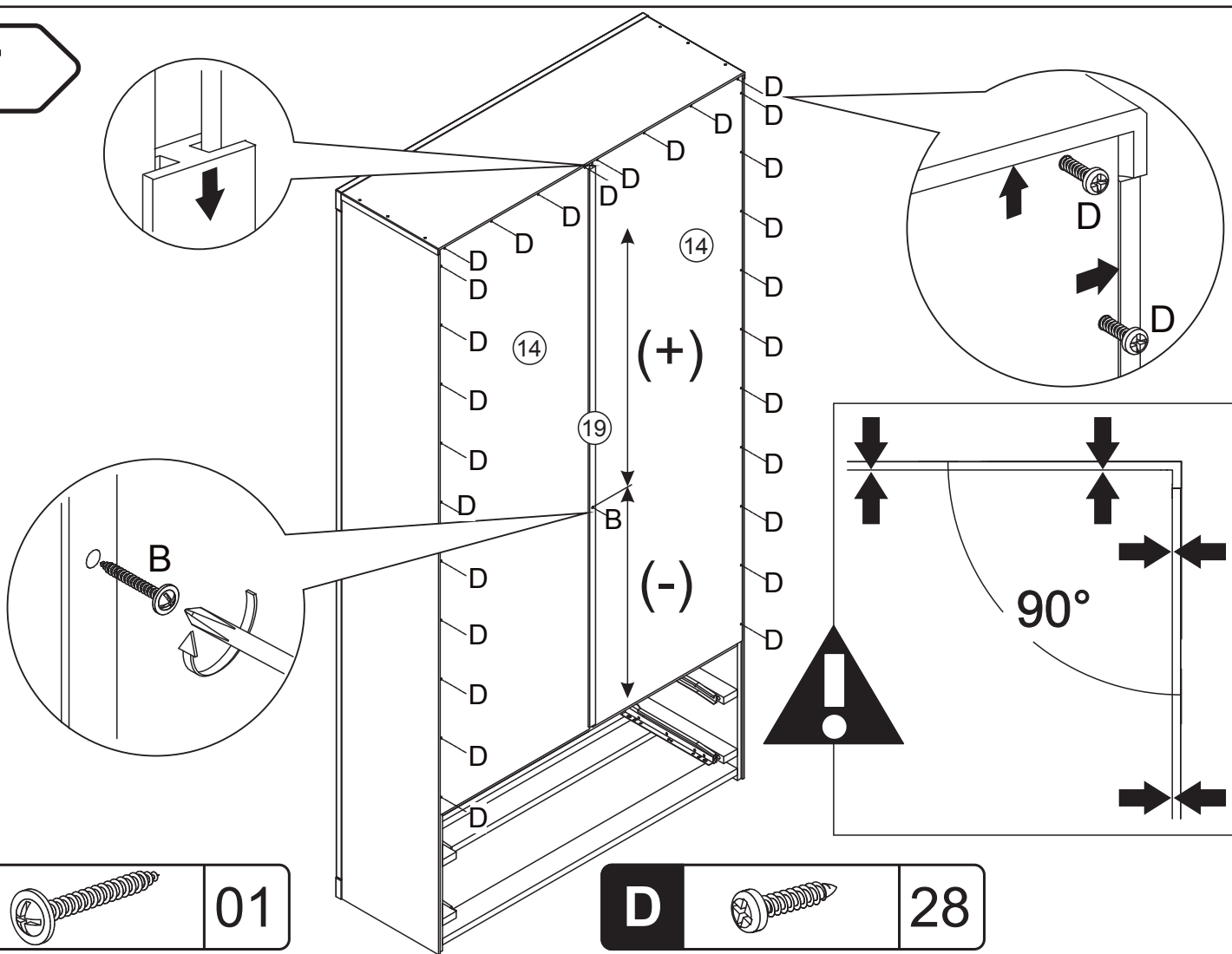
15



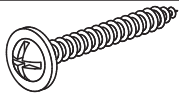
16



17

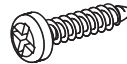


B



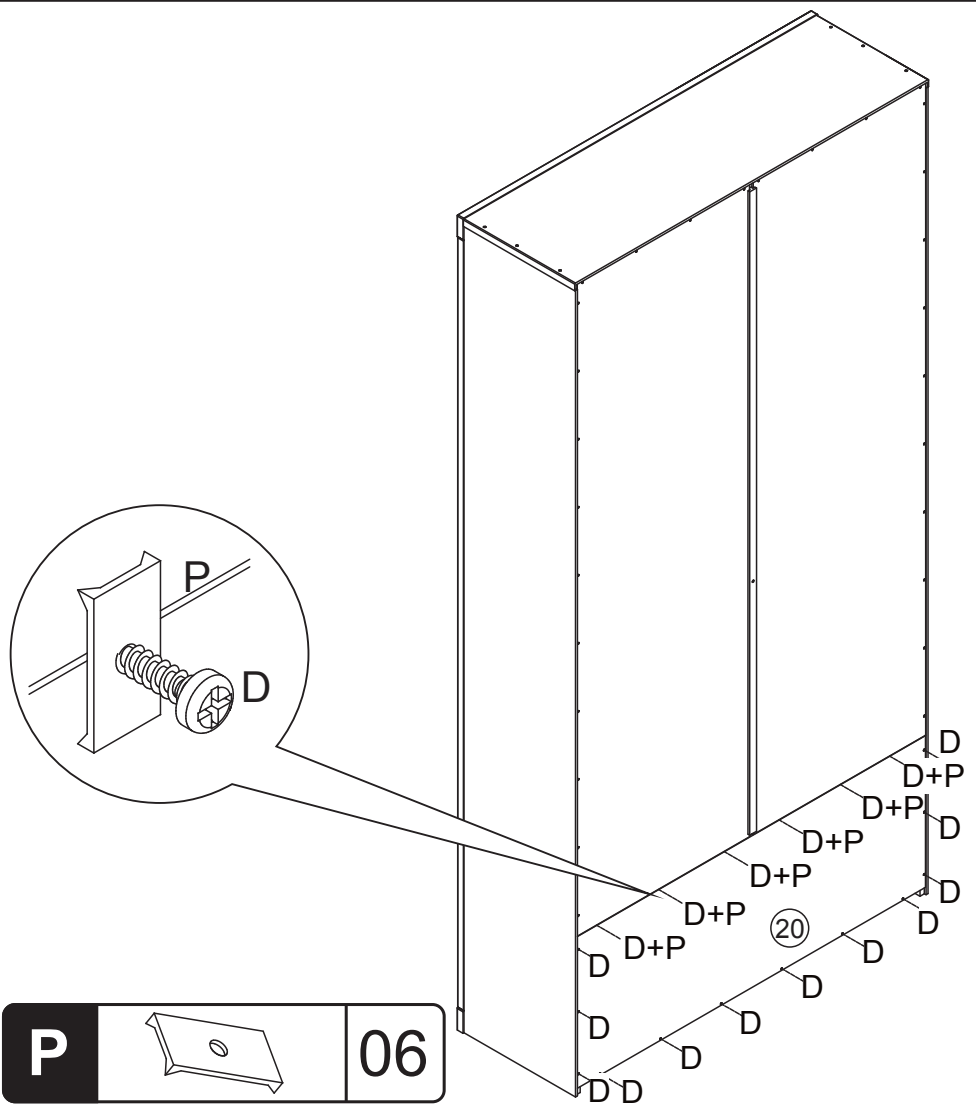
01

D

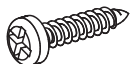


28

18

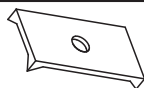


D



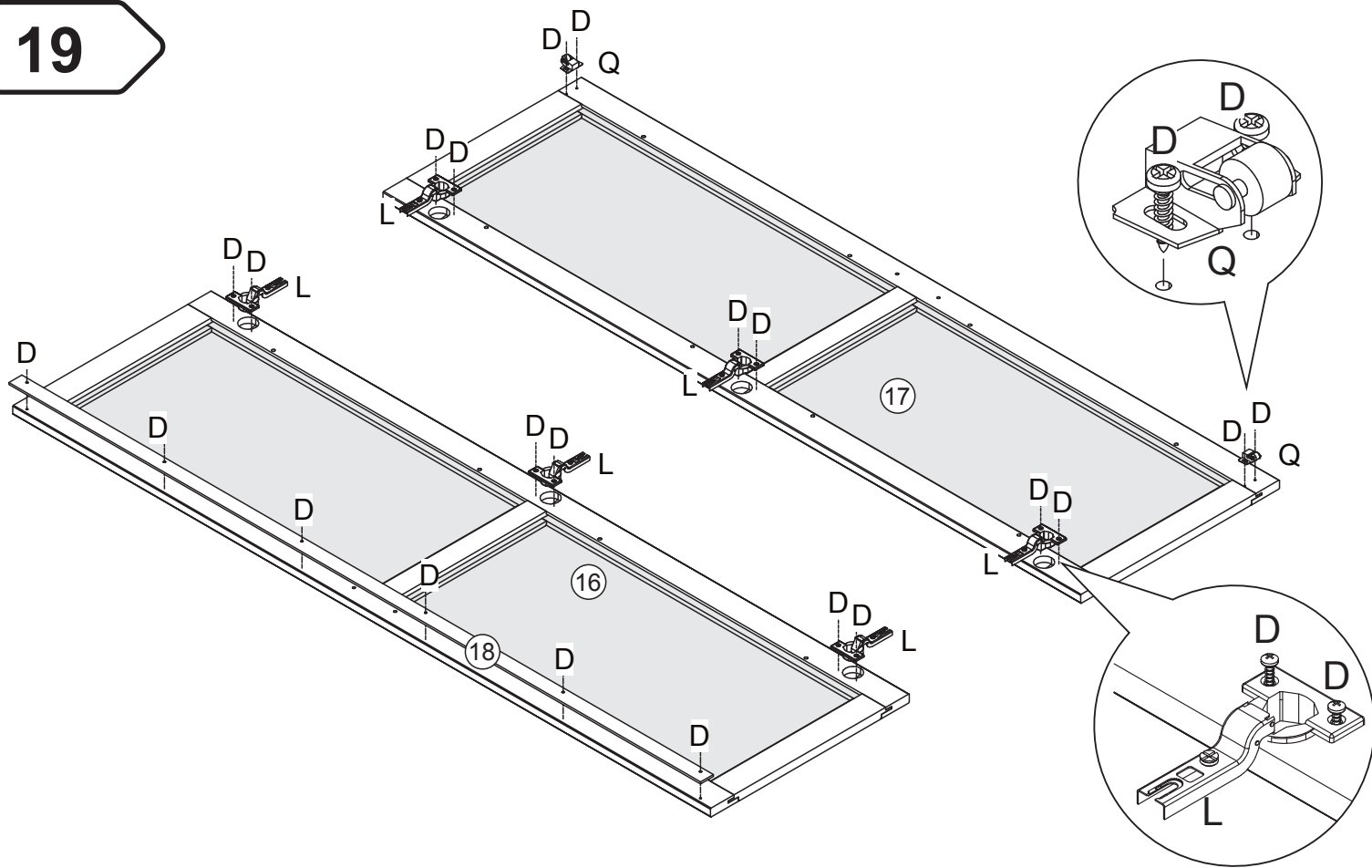
18

P

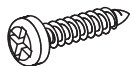


06

19



D



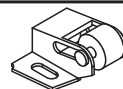
22

L



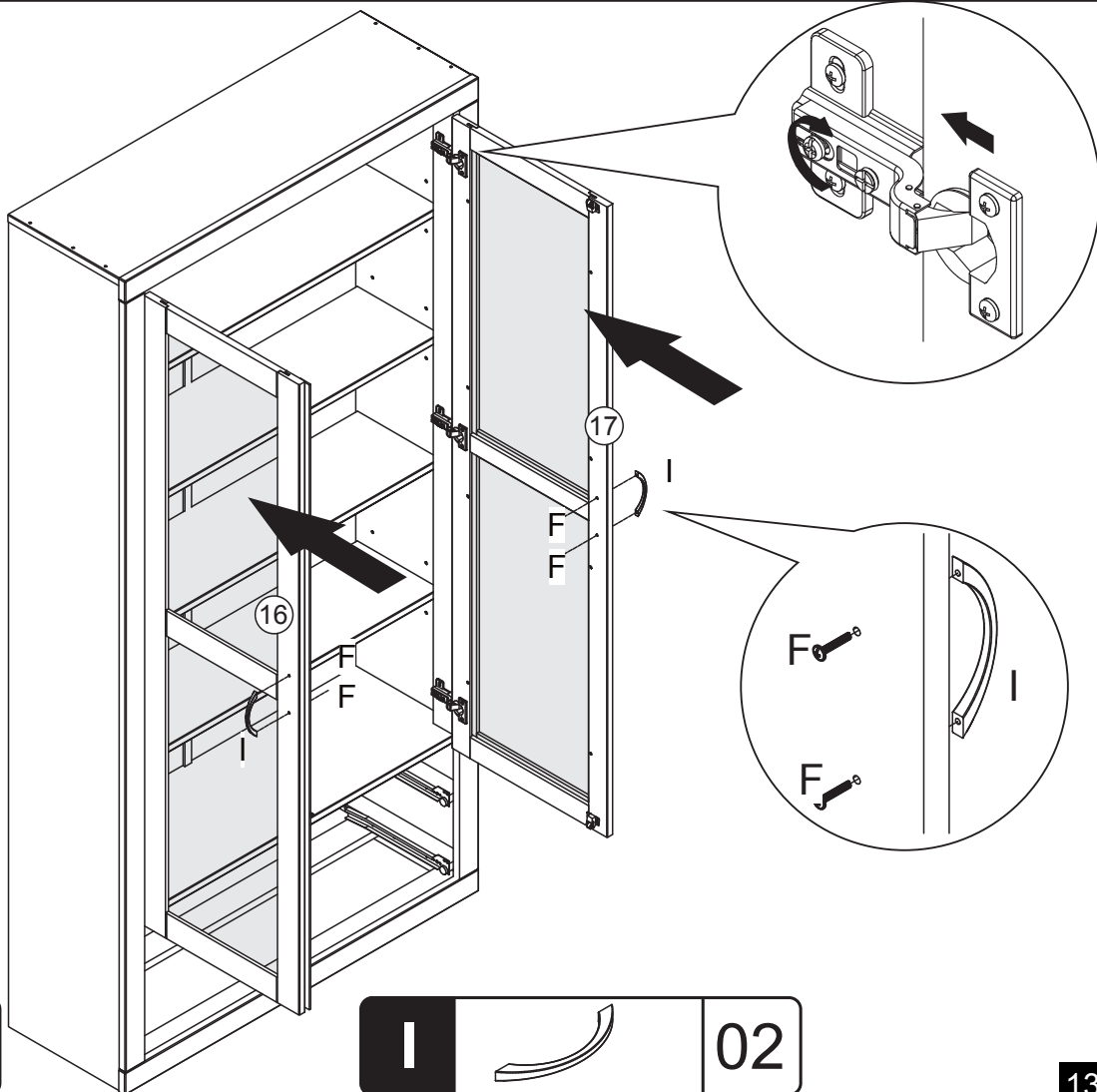
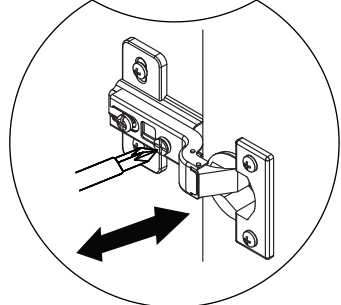
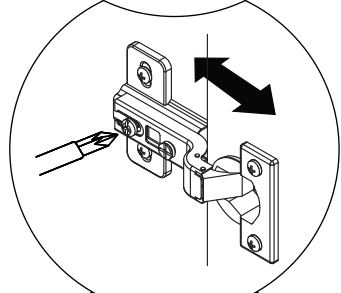
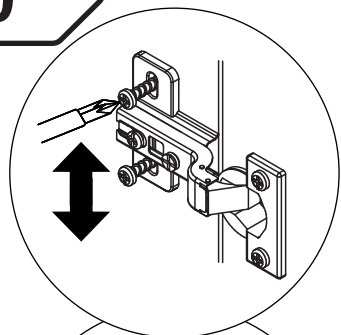
06

Q



02

20



F



04

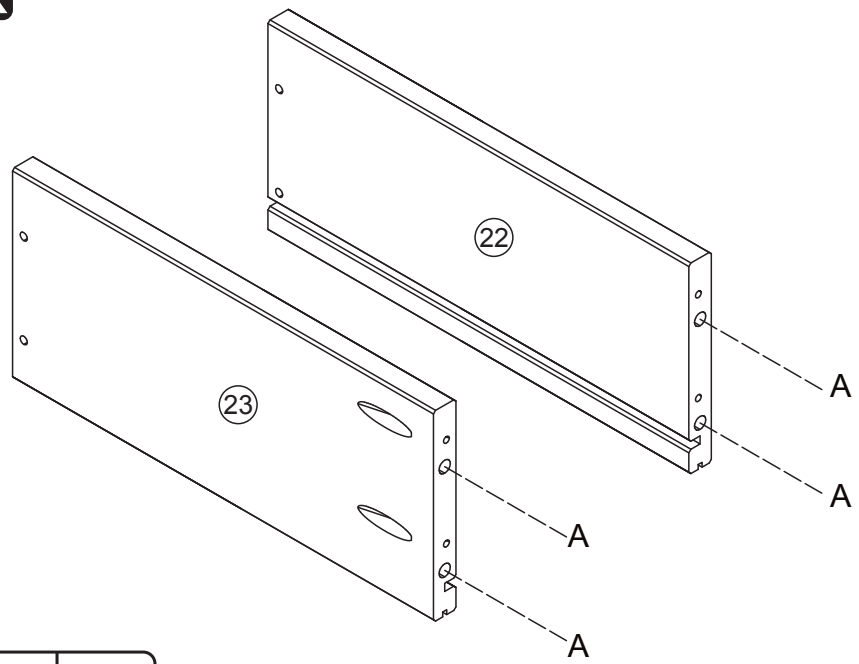
I




02

21

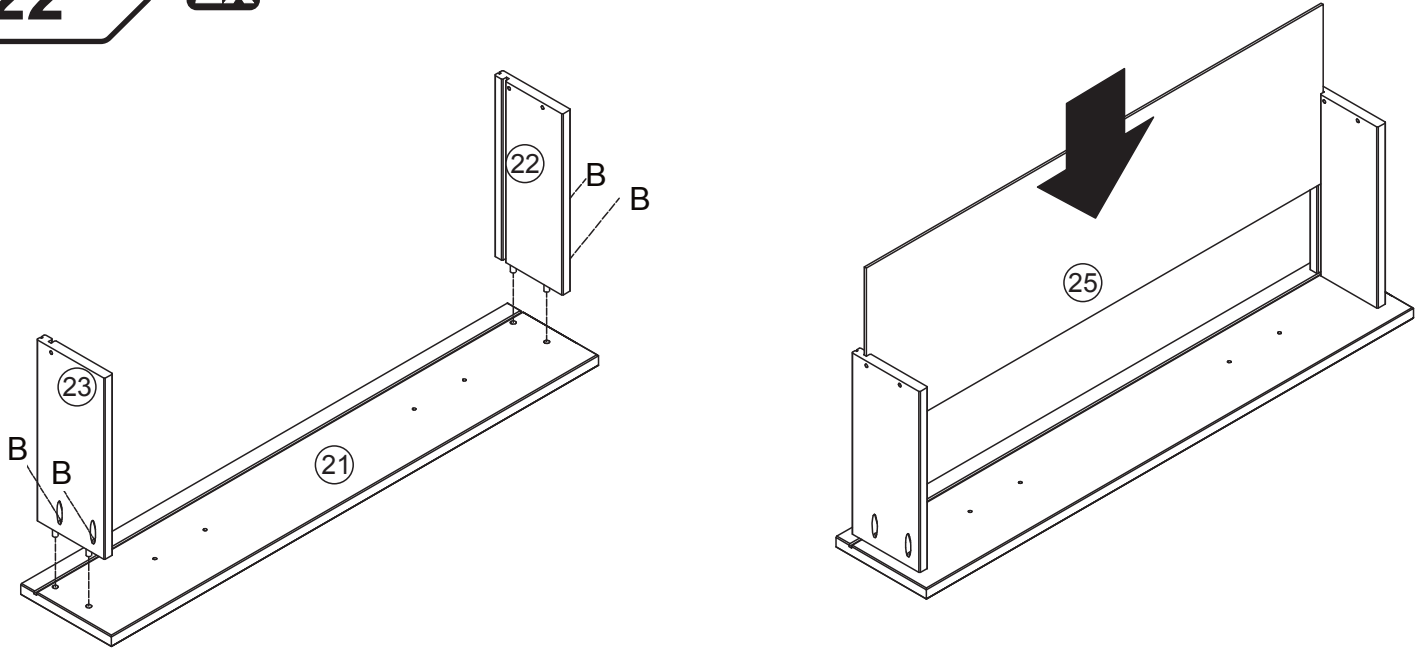
2x

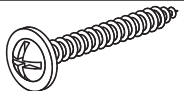


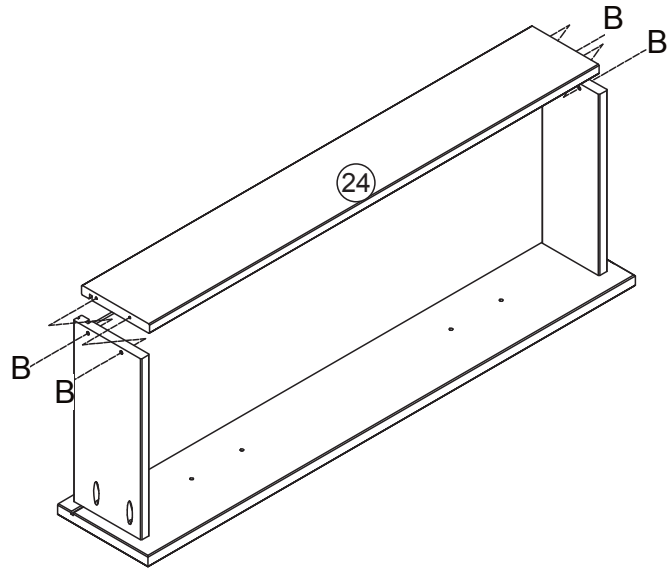
A		08
----------	---	----

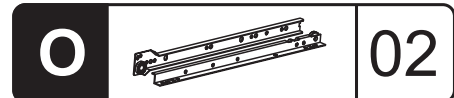
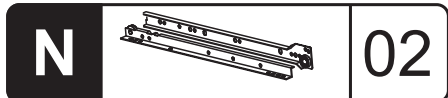
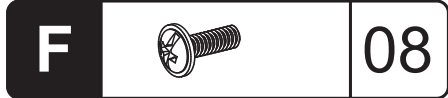
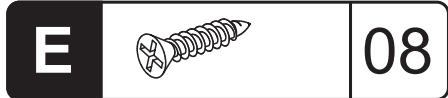
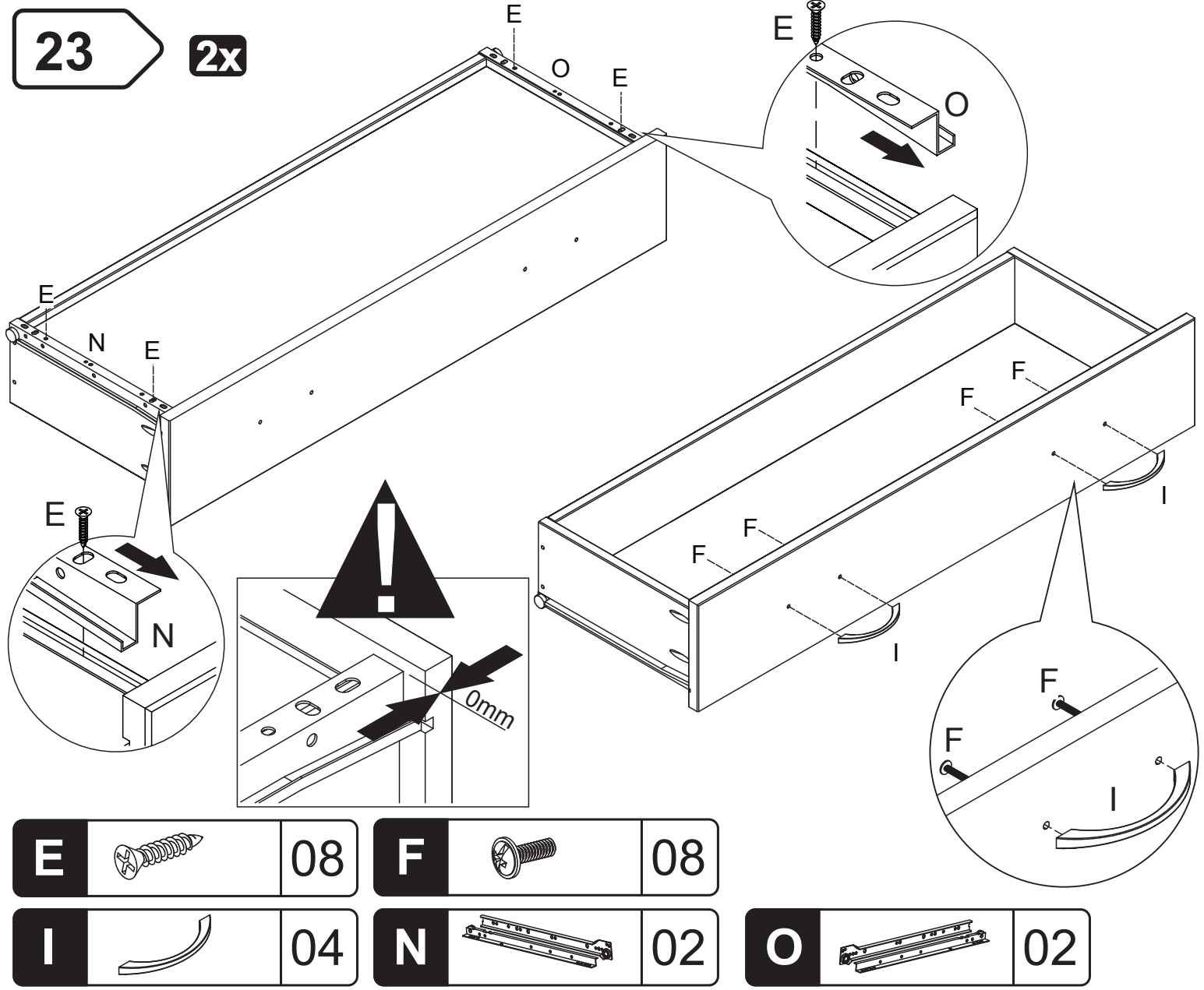
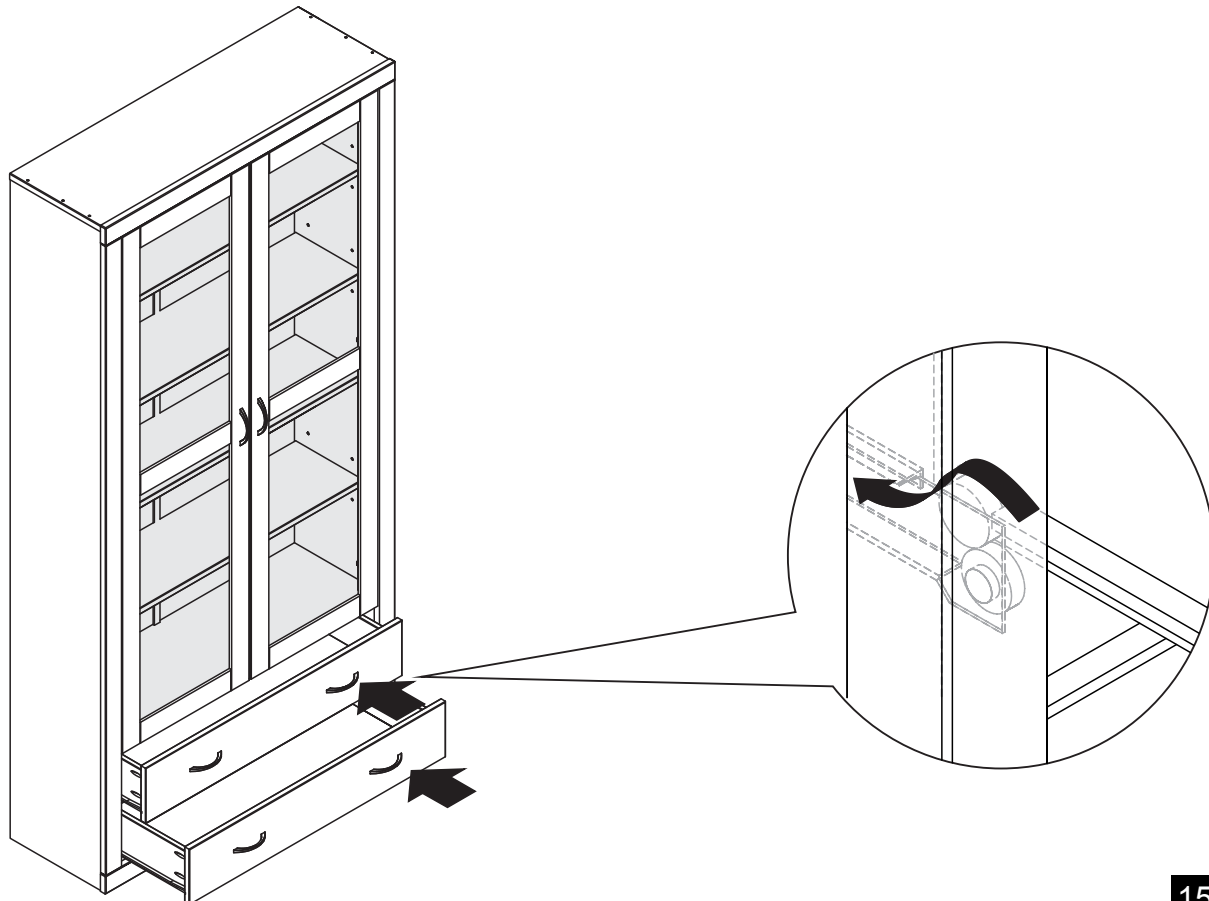
22

2x

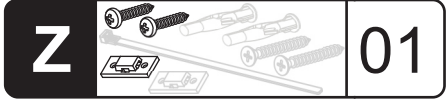
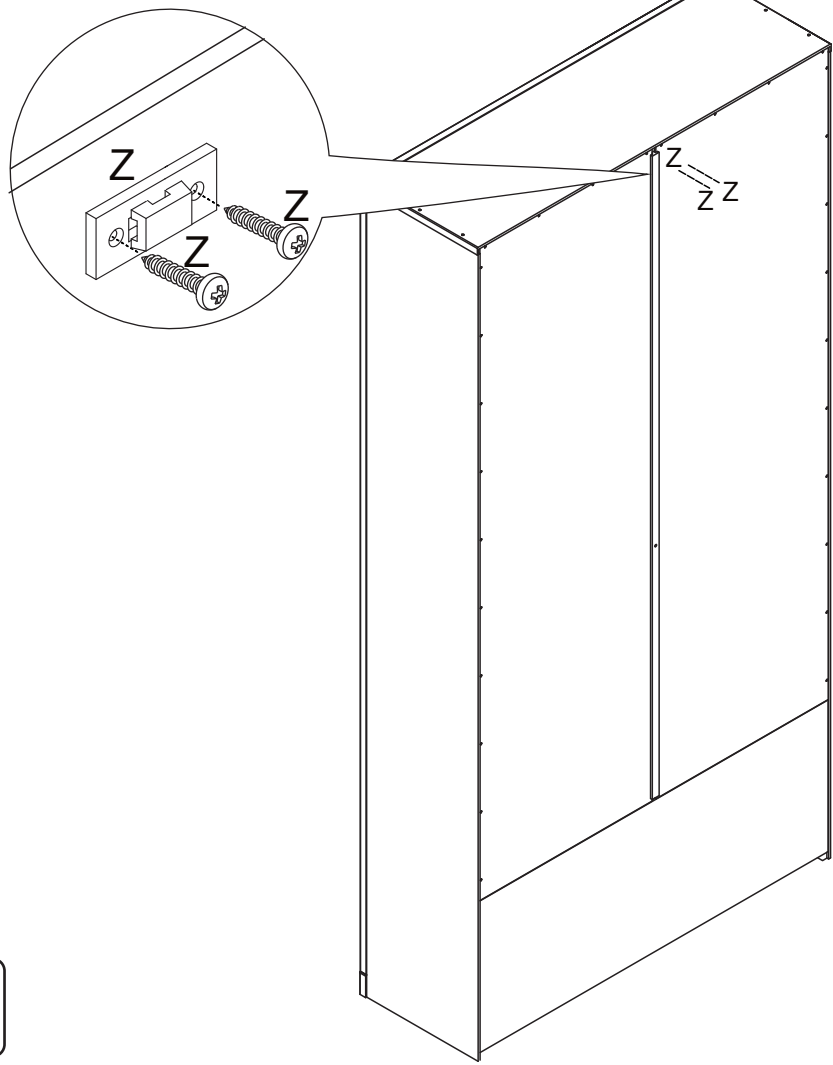


B		16
----------	---	----

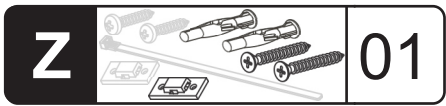
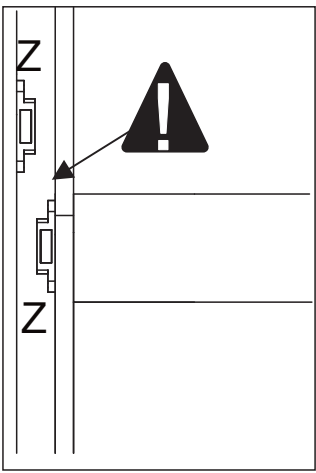
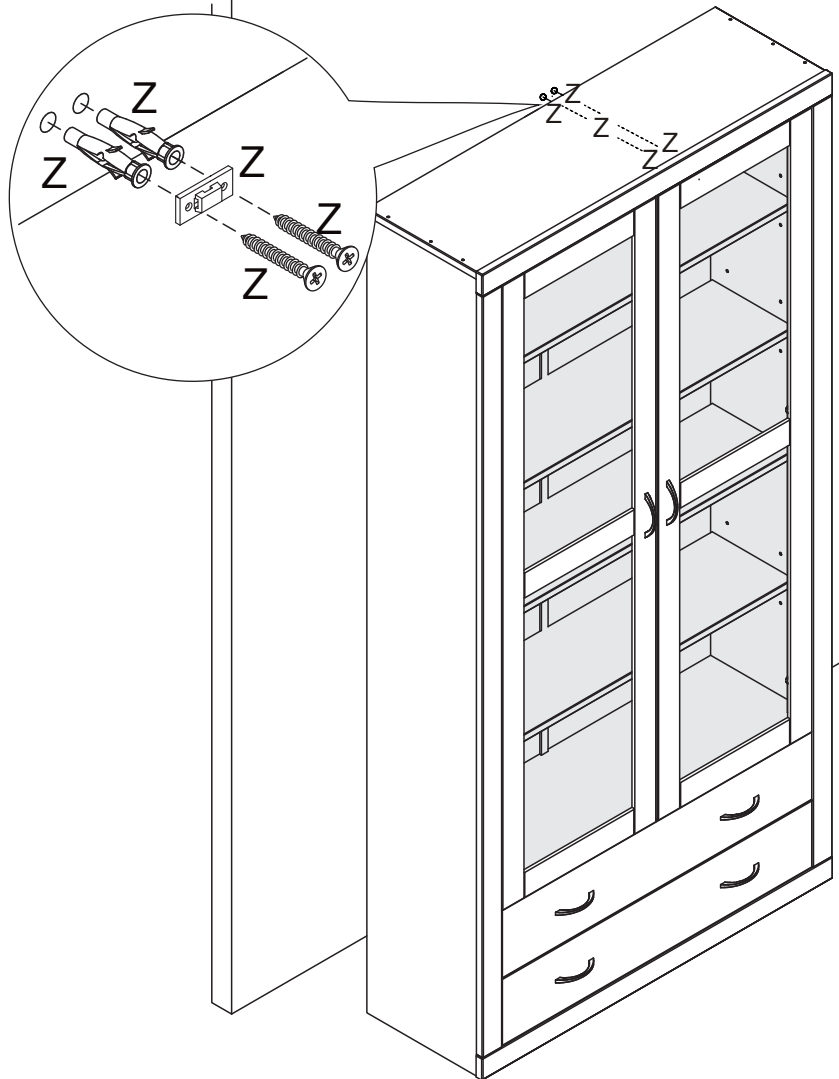


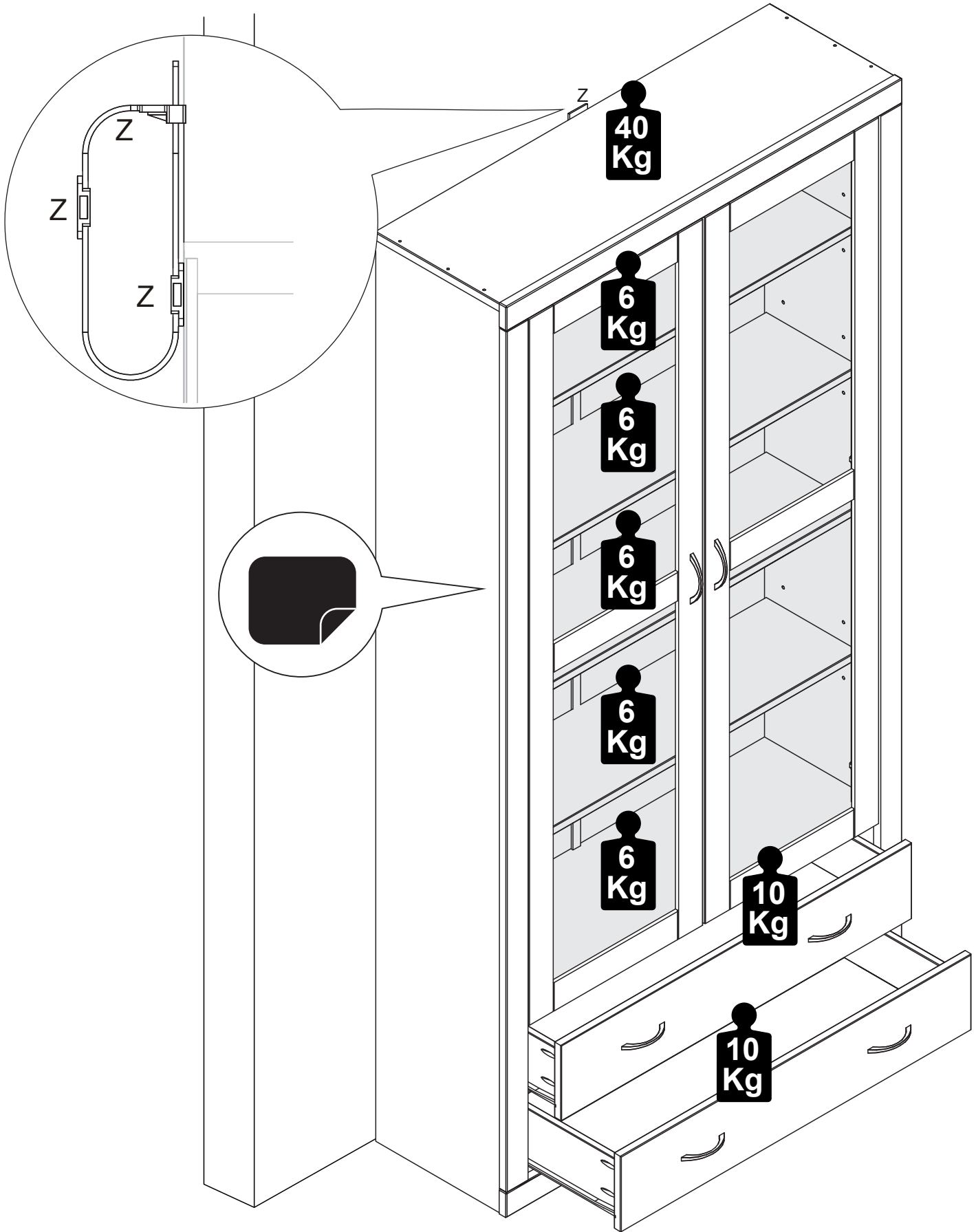
23**2x****24**

25



26





T

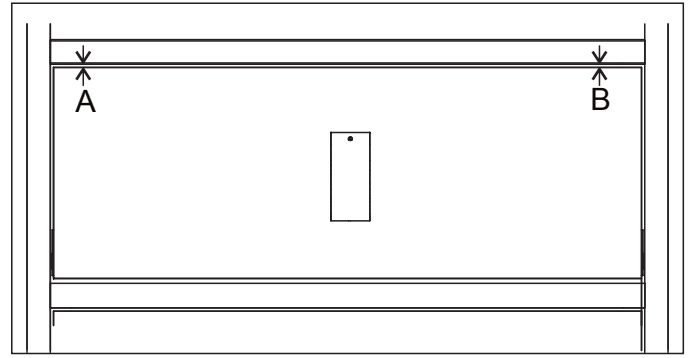
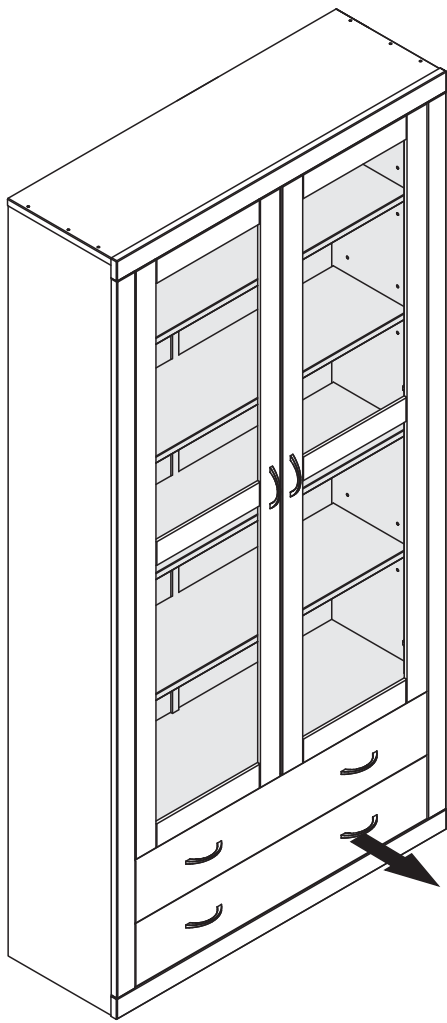


01

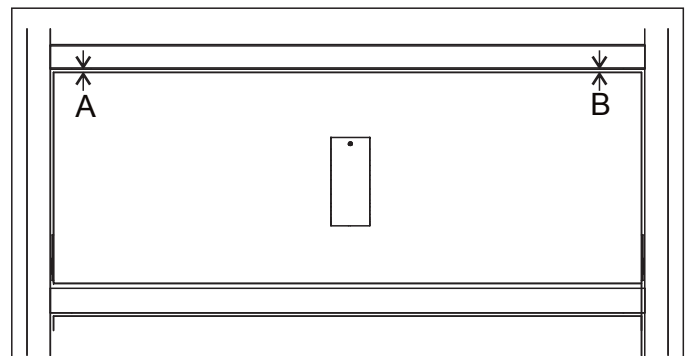
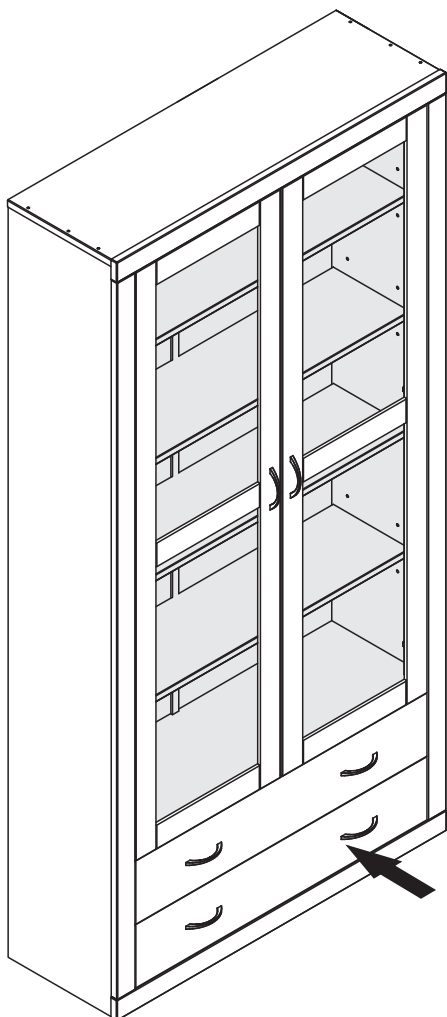
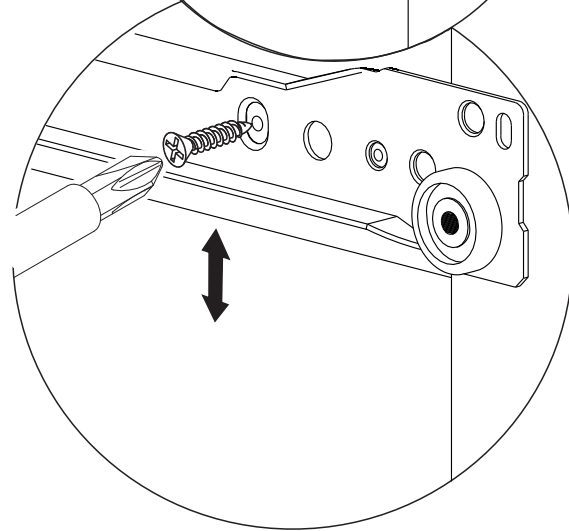
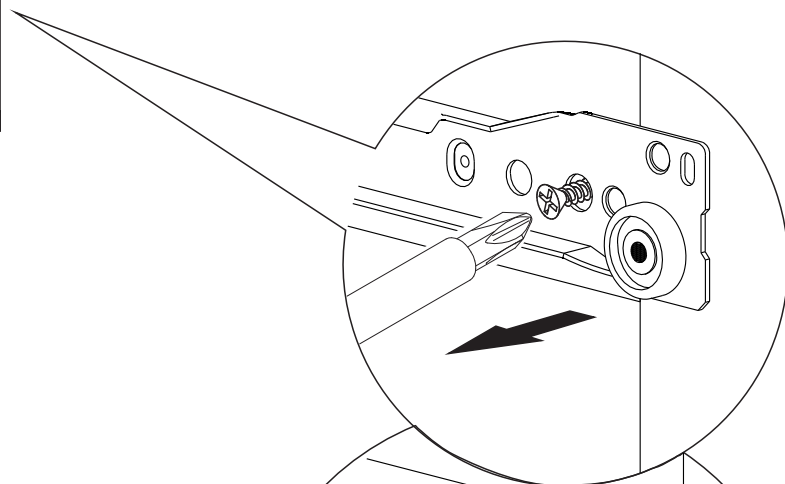
Z



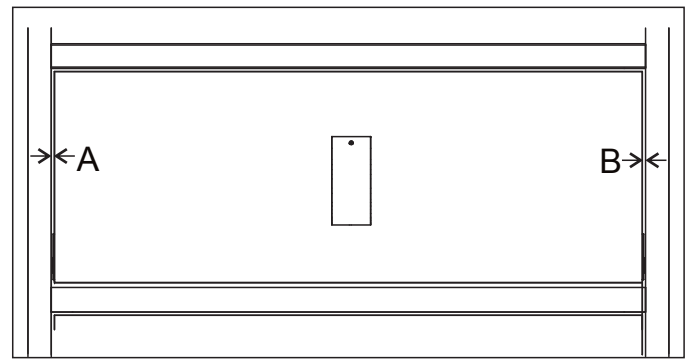
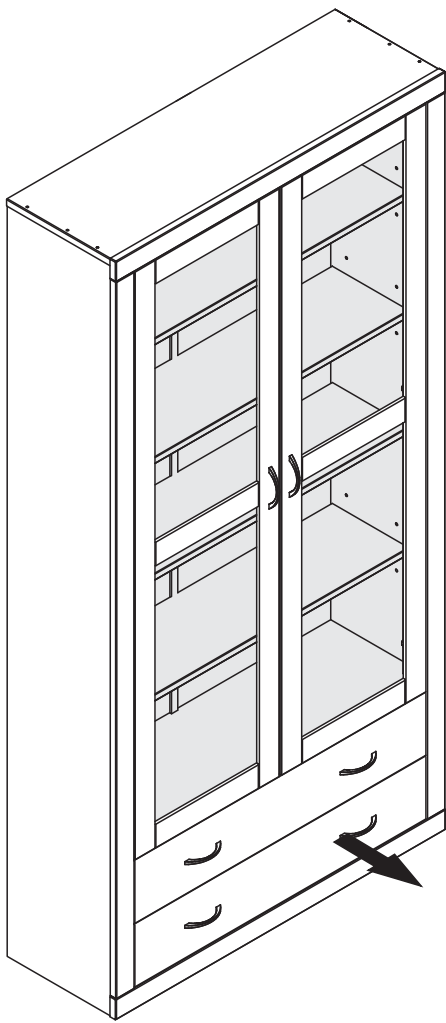
01



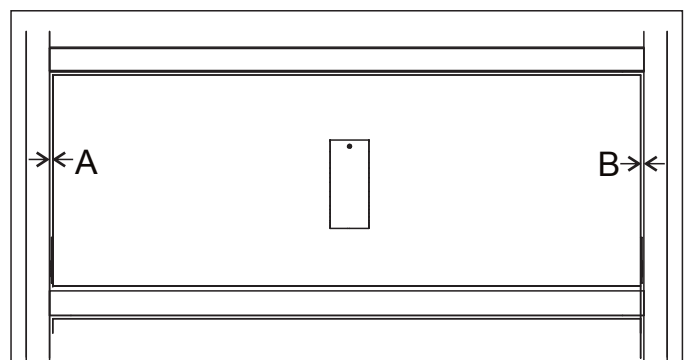
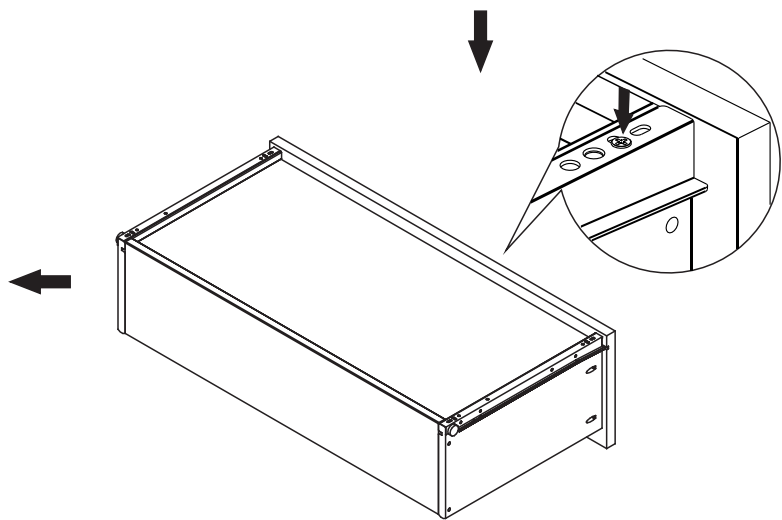
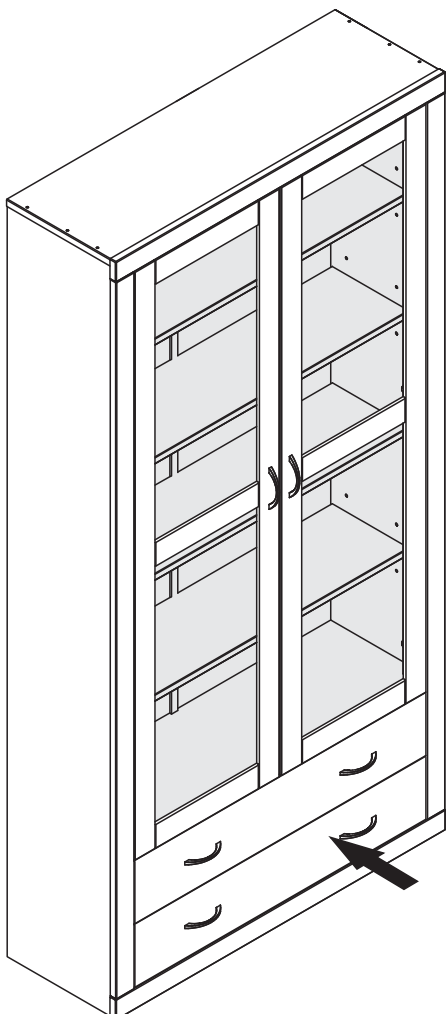
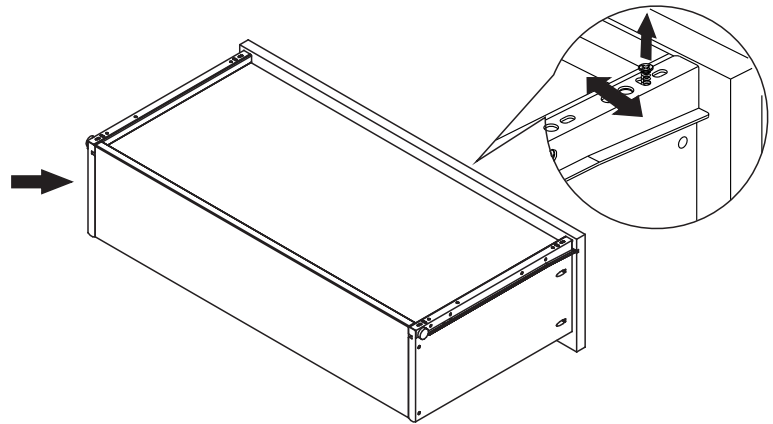
A≠B ✘



A=B ✔



A ≠ B ✘



A = B ✔