

Assembly Instructions
AND VIDEOS:

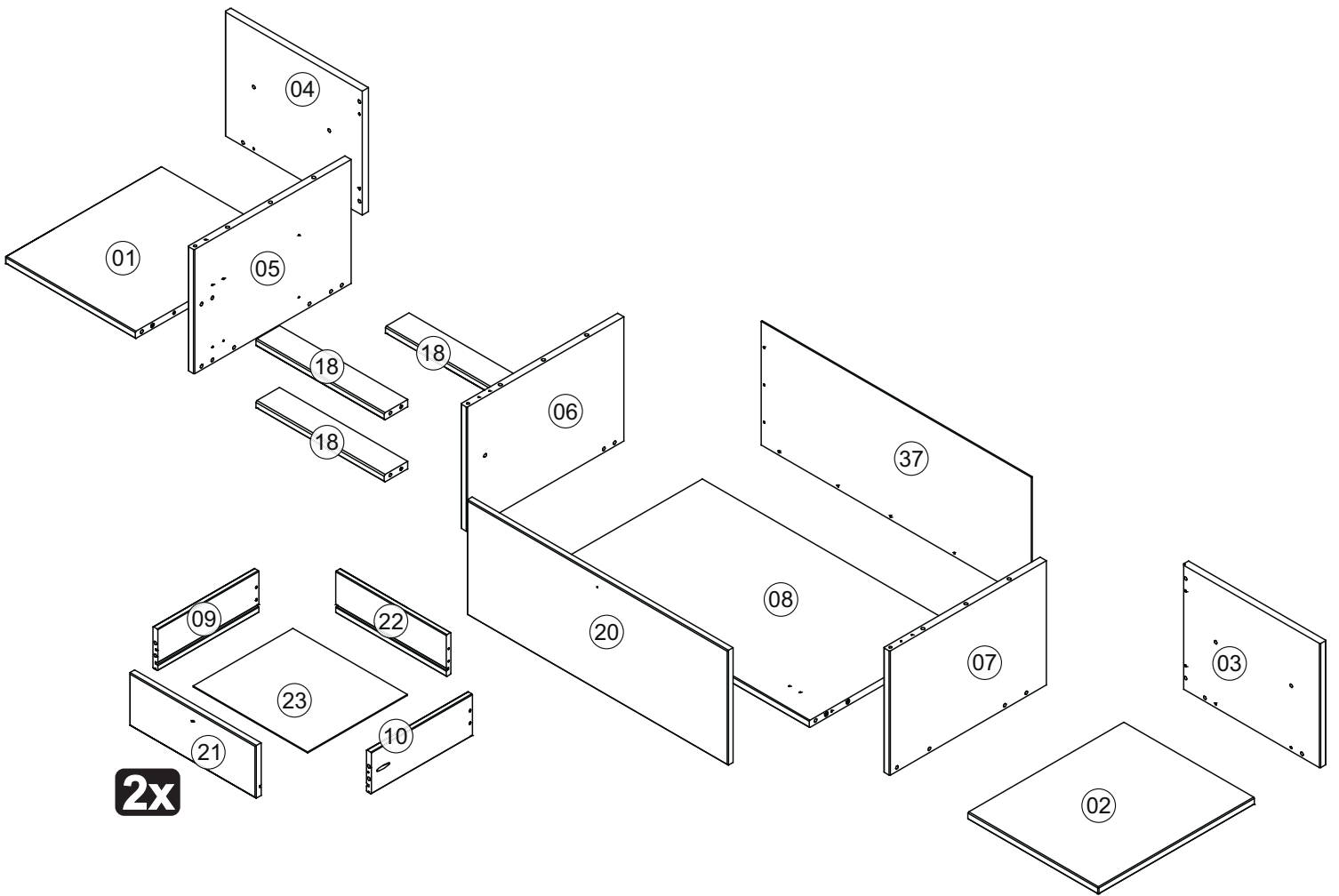
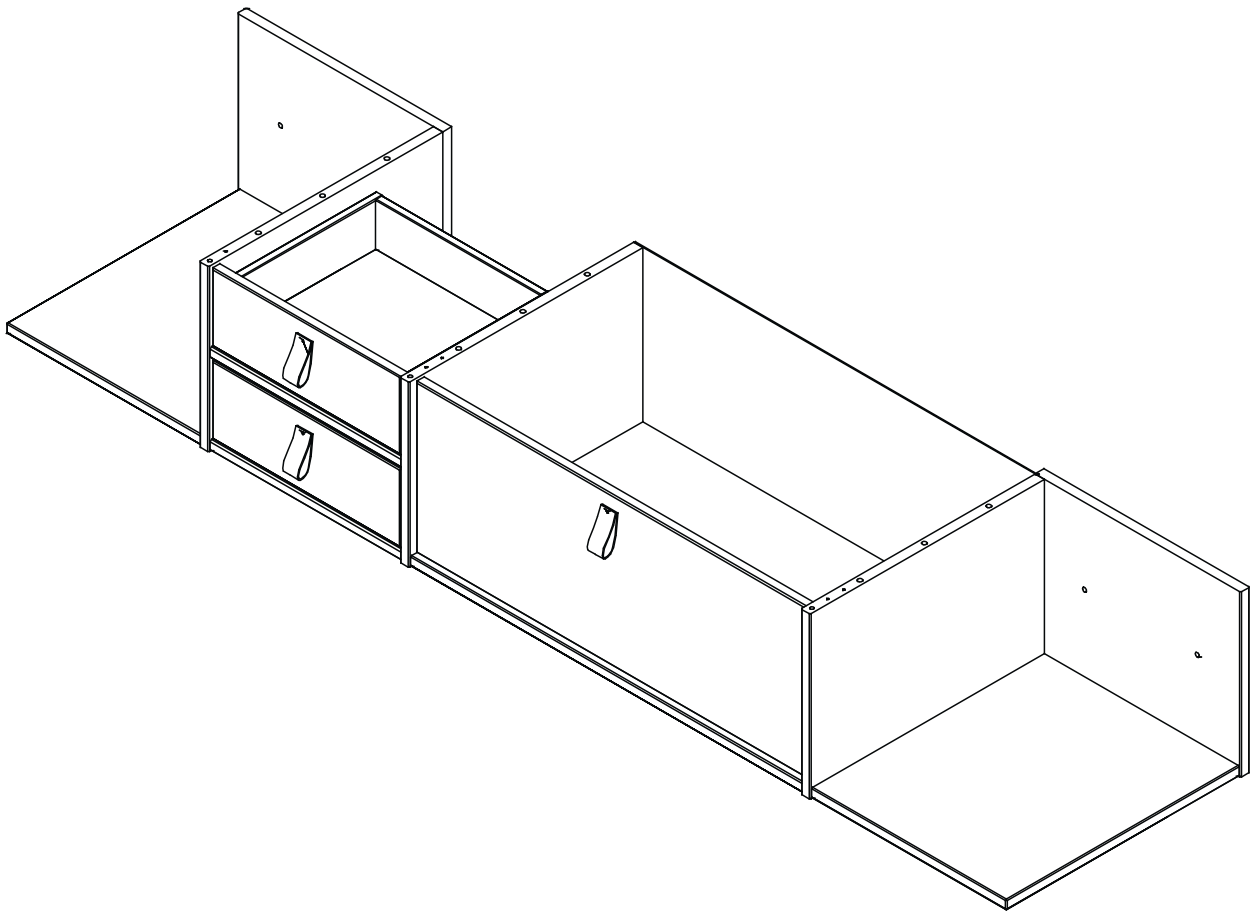
Montageanleitungen
UND VIDEOS:

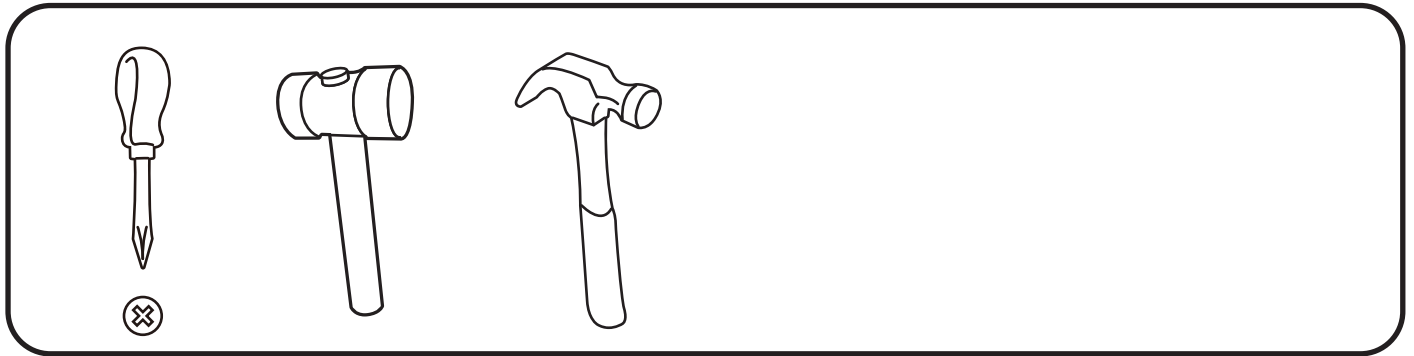
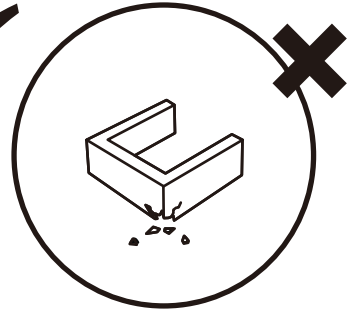
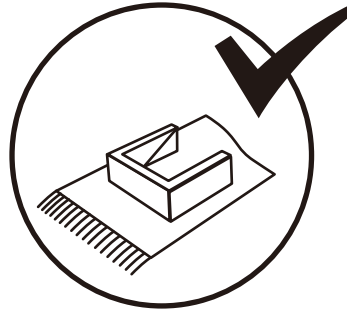
Instruções de montagem
E VÍDEOS:

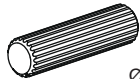


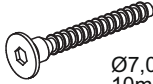
BALI

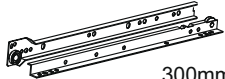
193 (76") x 203 (80")

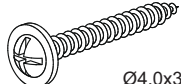





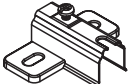
A	 Ø8,0x25mm	30
----------	--	----

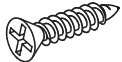
G	 Ø7,0x50mm 10mm	08
----------	--	----

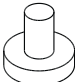
P	 300mm	02
----------	--	----


C	 Ø4,0x30mm	26
----------	--	----

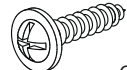
L		01
----------	---	----


R		02
----------	---	----

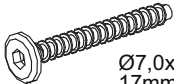
D	 Ø3,5x14mm	24
----------	--	----

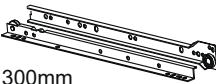
M		12
----------	---	----

S		02
----------	---	----

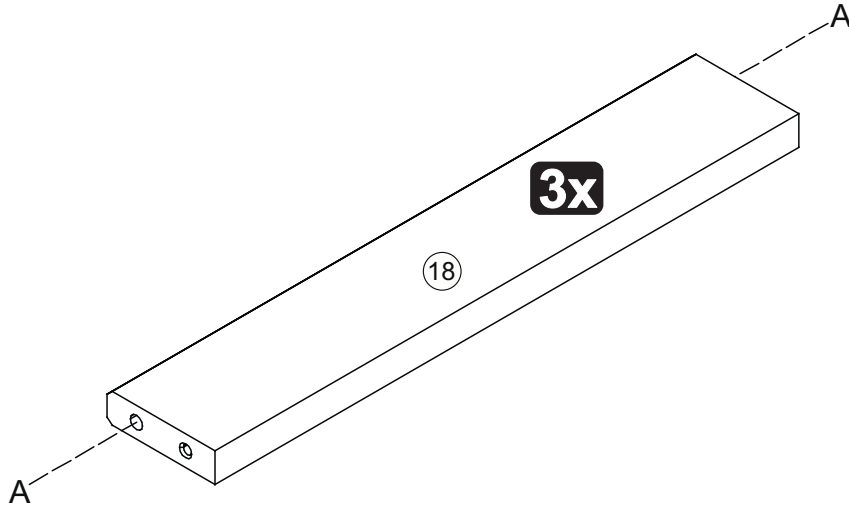
E	 Ø3,5x16mm	11
----------	--	----

N		03
----------	---	----

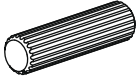
F	 Ø7,0x50mm 17mm	02
----------	--	----

O	 300mm	02
----------	--	----

01

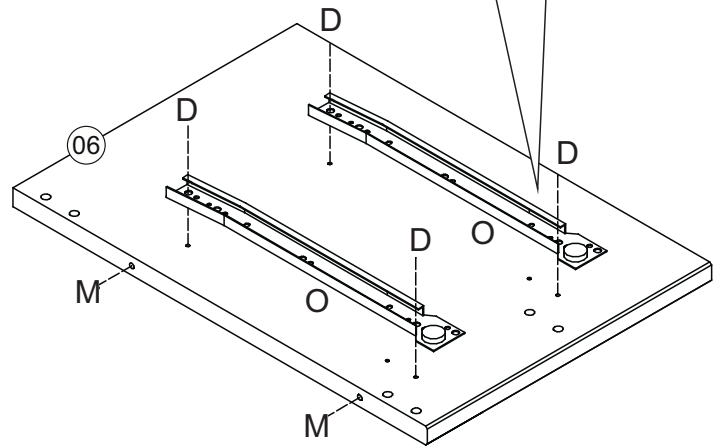
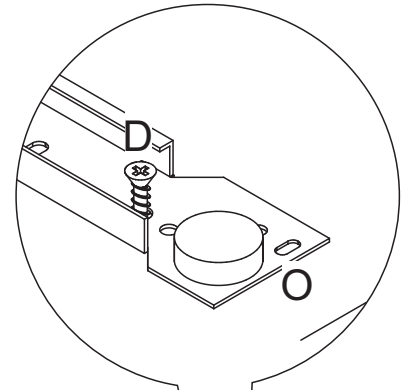
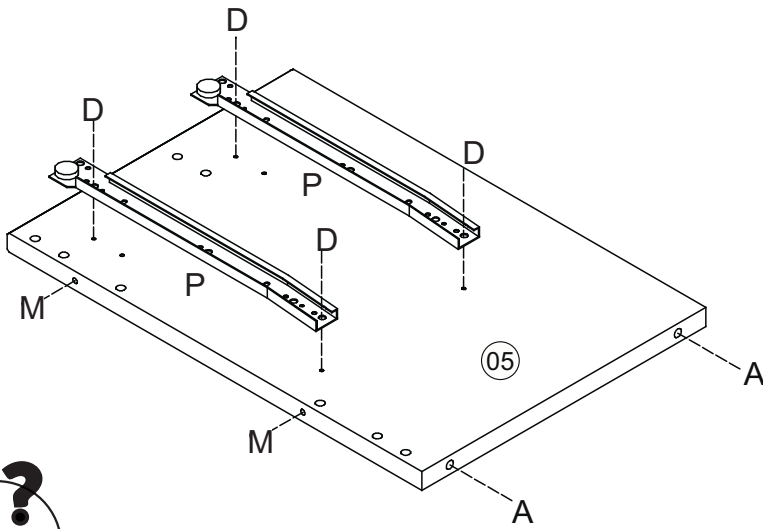


A



06

02



A



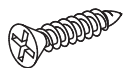
02

M



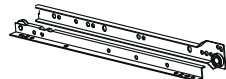
04

D



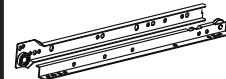
08

O



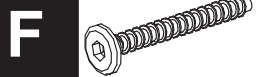
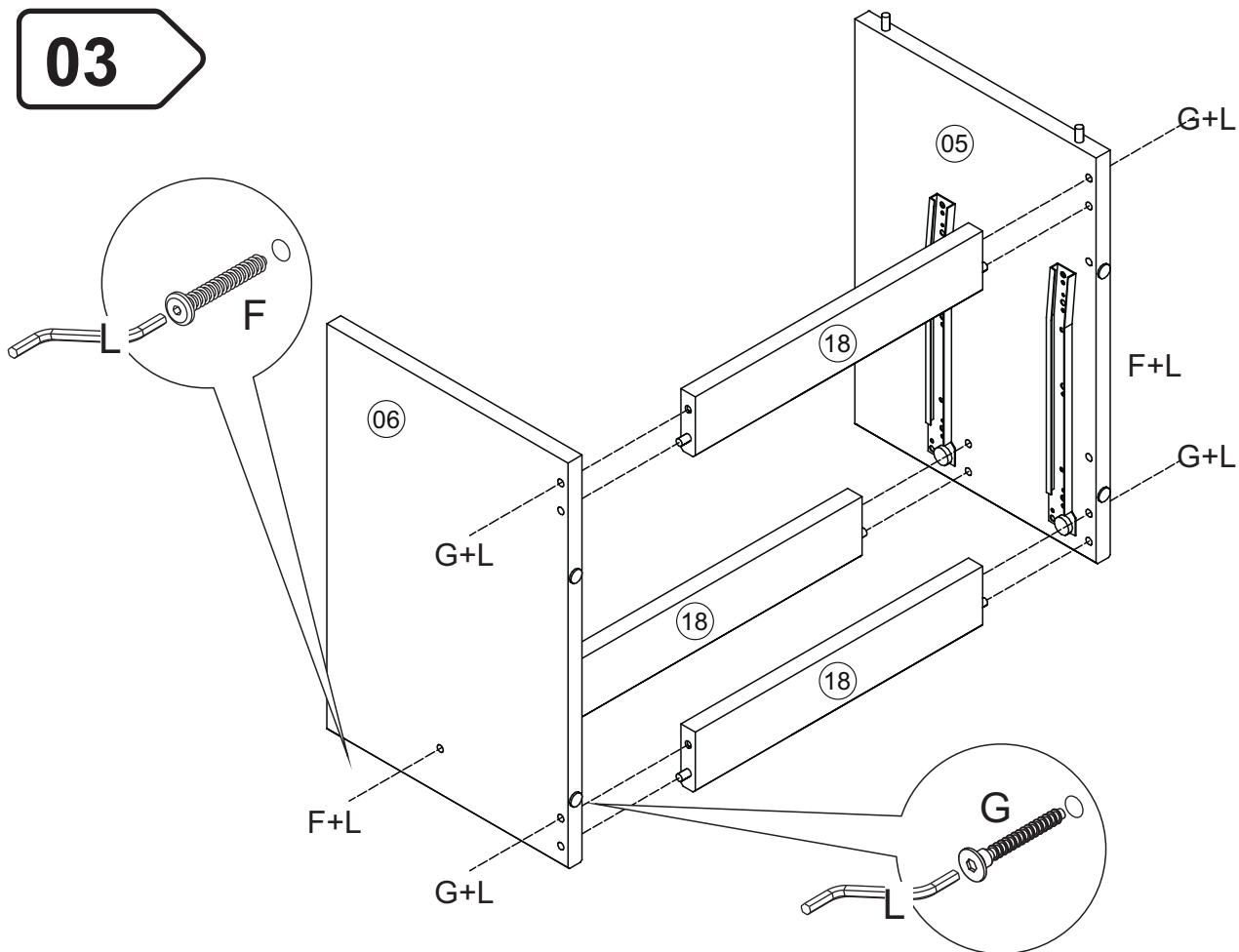
02

P

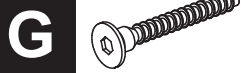


02

03



02

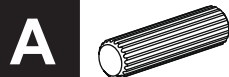
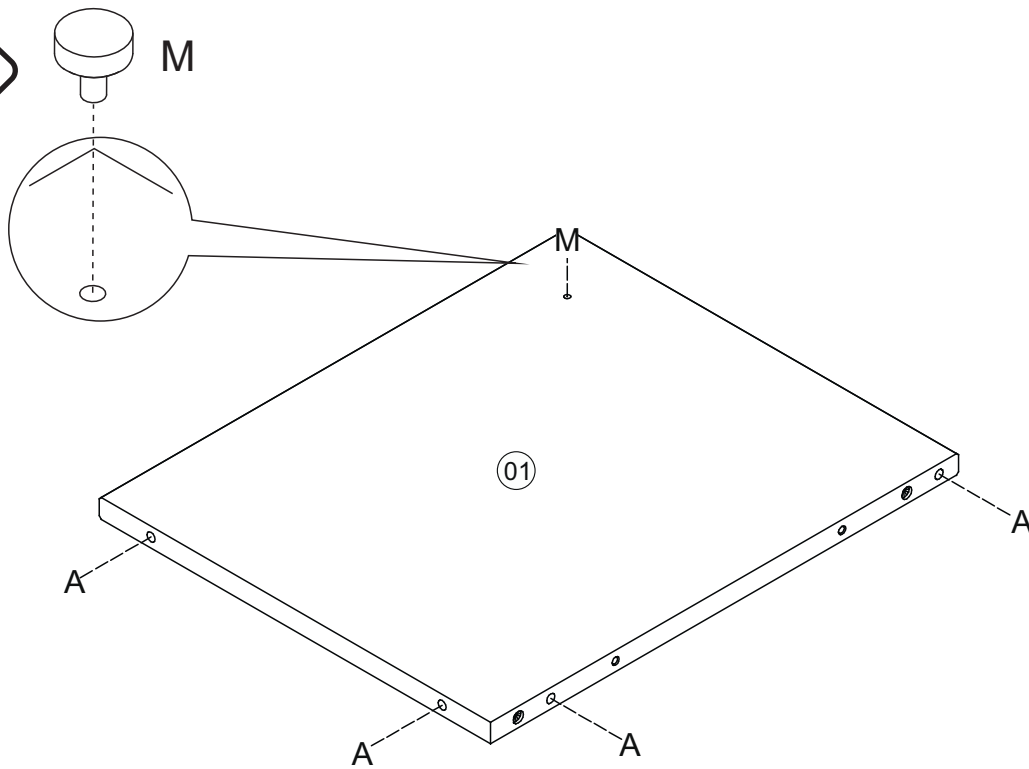


04



01

04

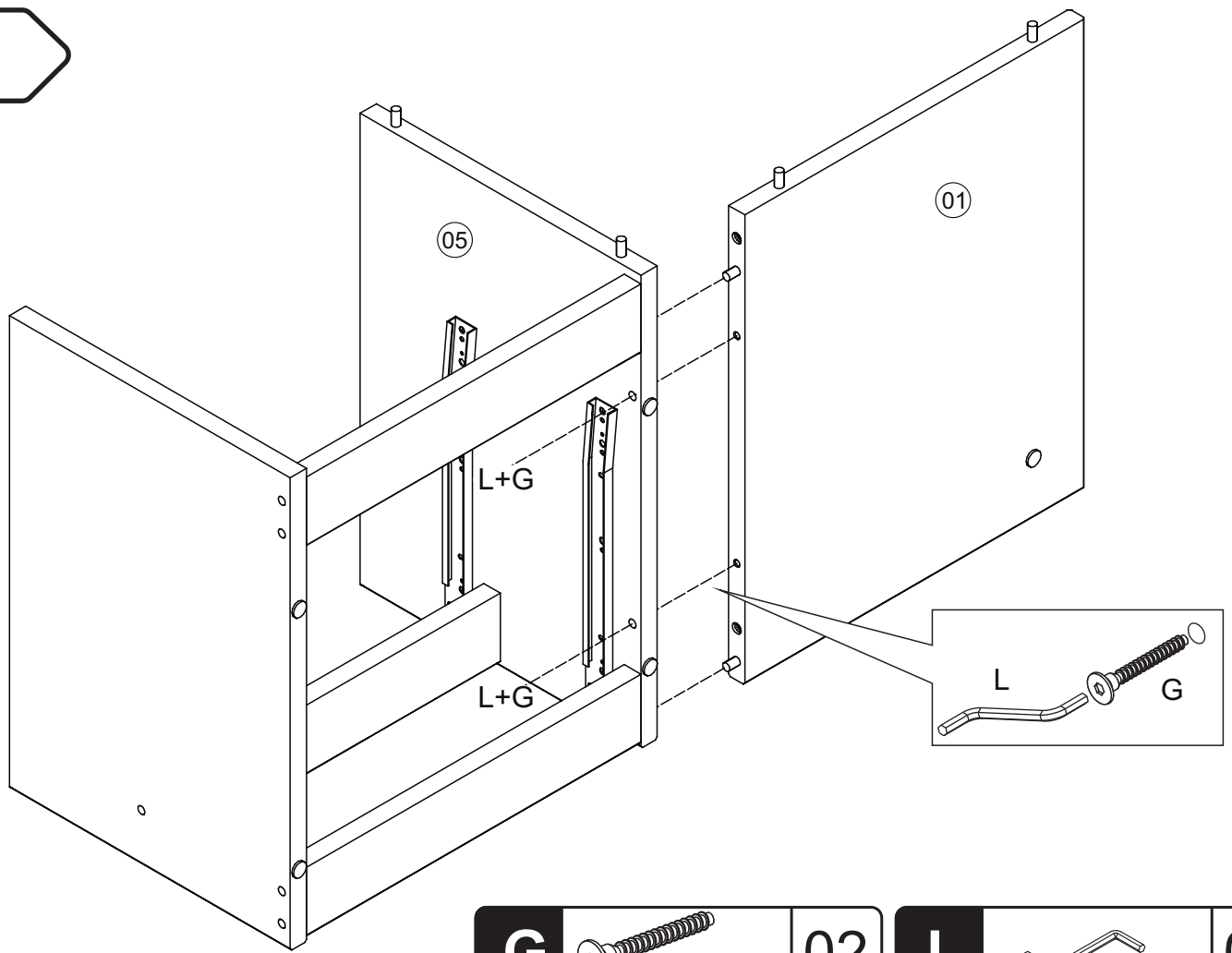


04

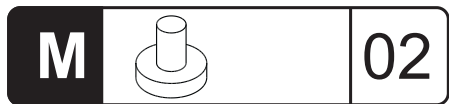
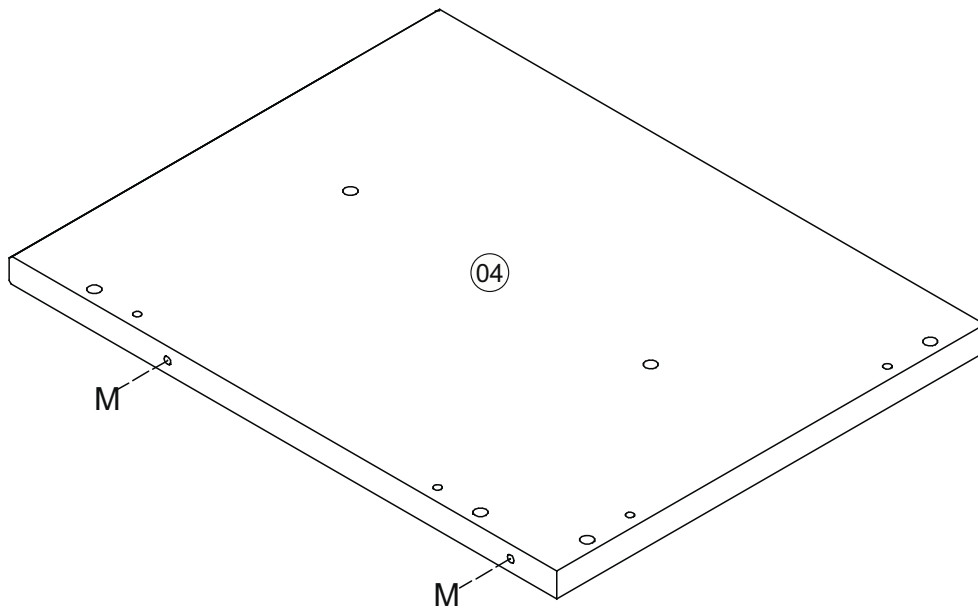


01

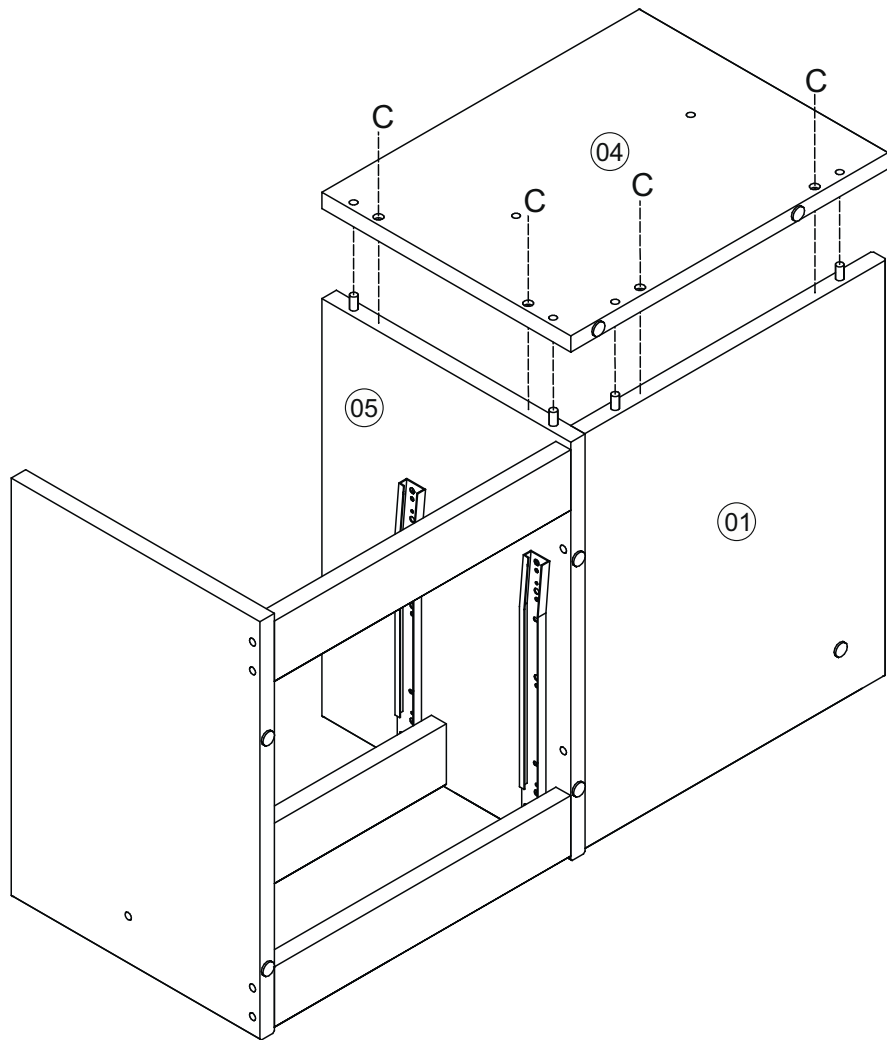
05

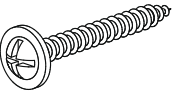


06

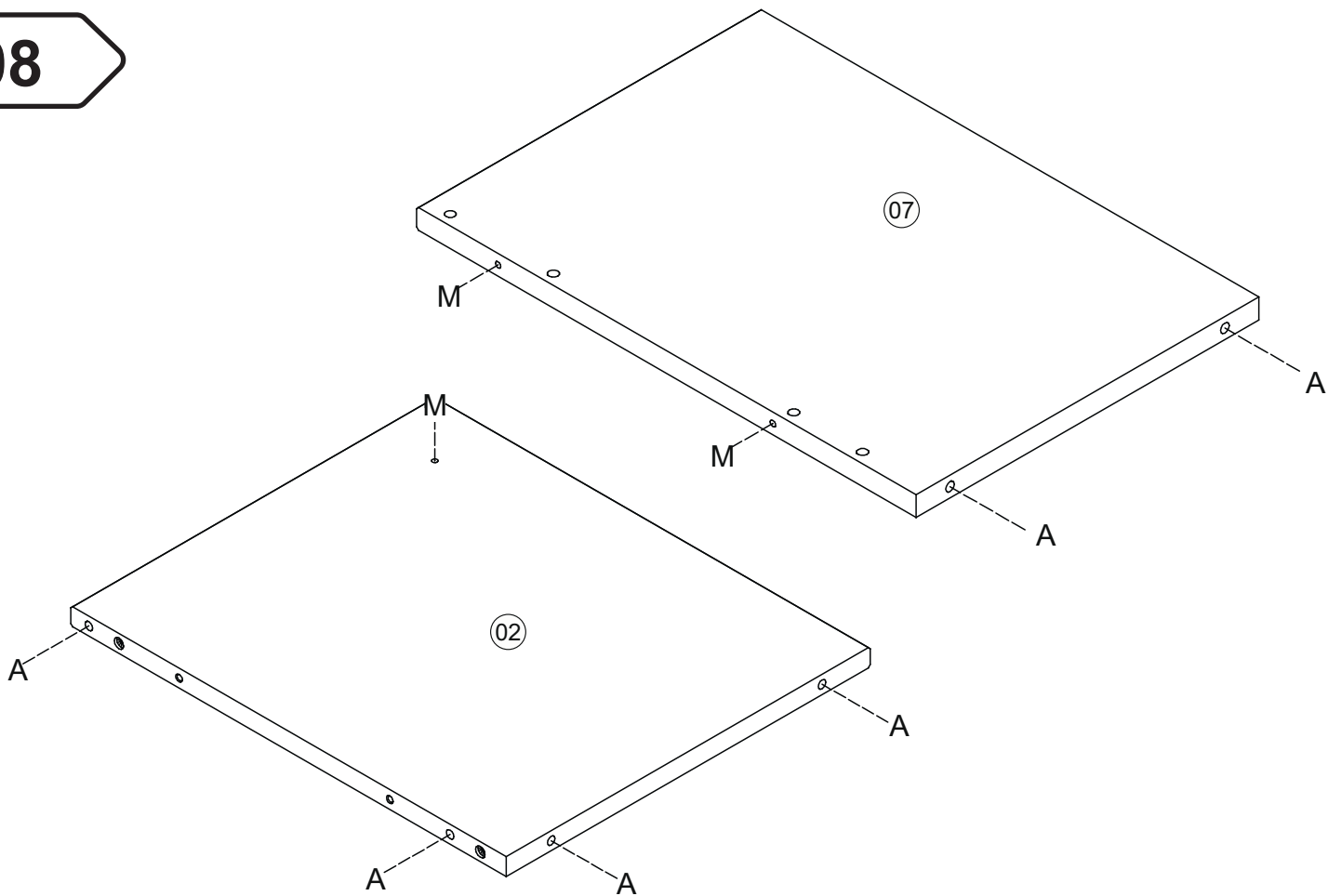



07

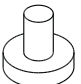


C		04
----------	---	-----------

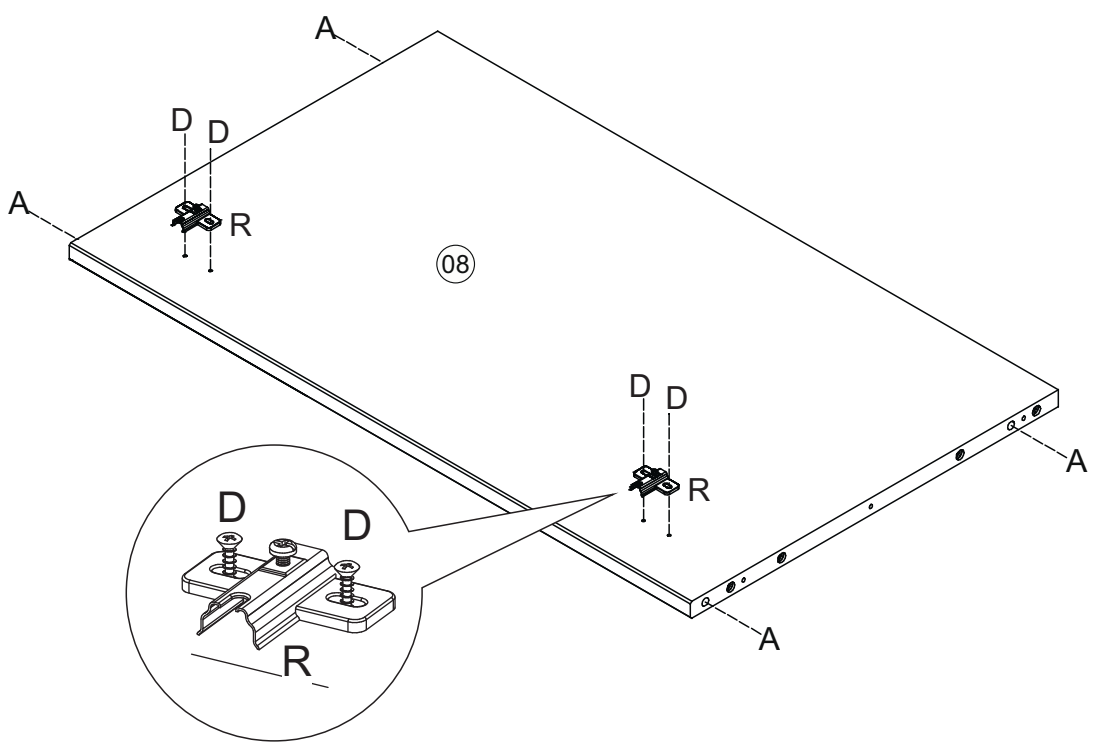
08




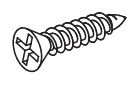
A		06
----------	---	-----------

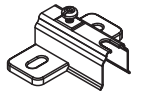
M		03
----------	---	-----------

09

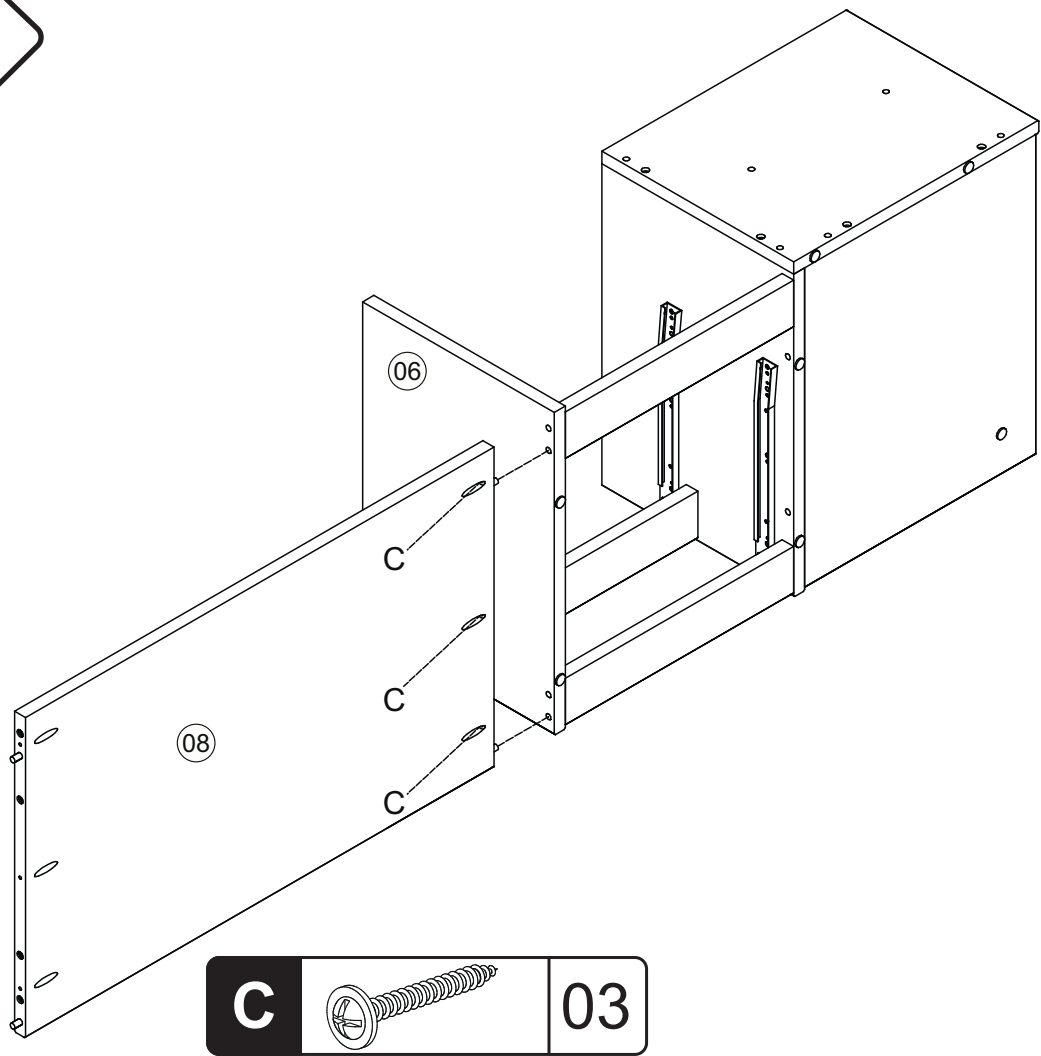


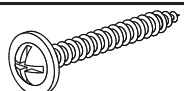
A		04
----------	--	-----------

D		04
----------	--	-----------

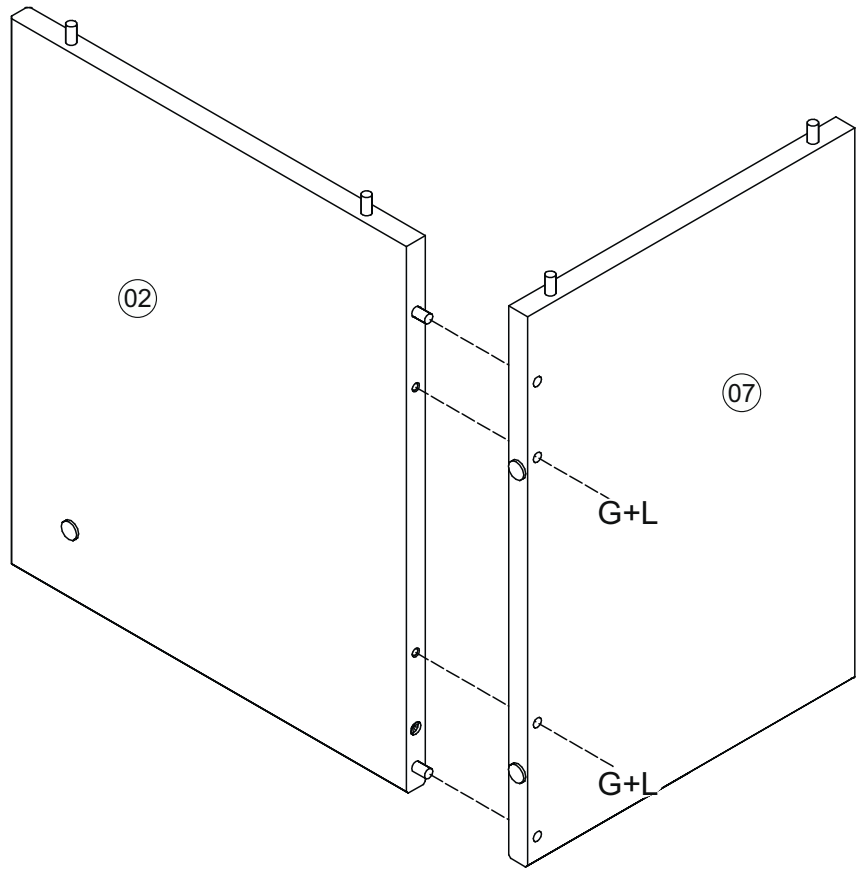
R		02
----------	--	-----------

10



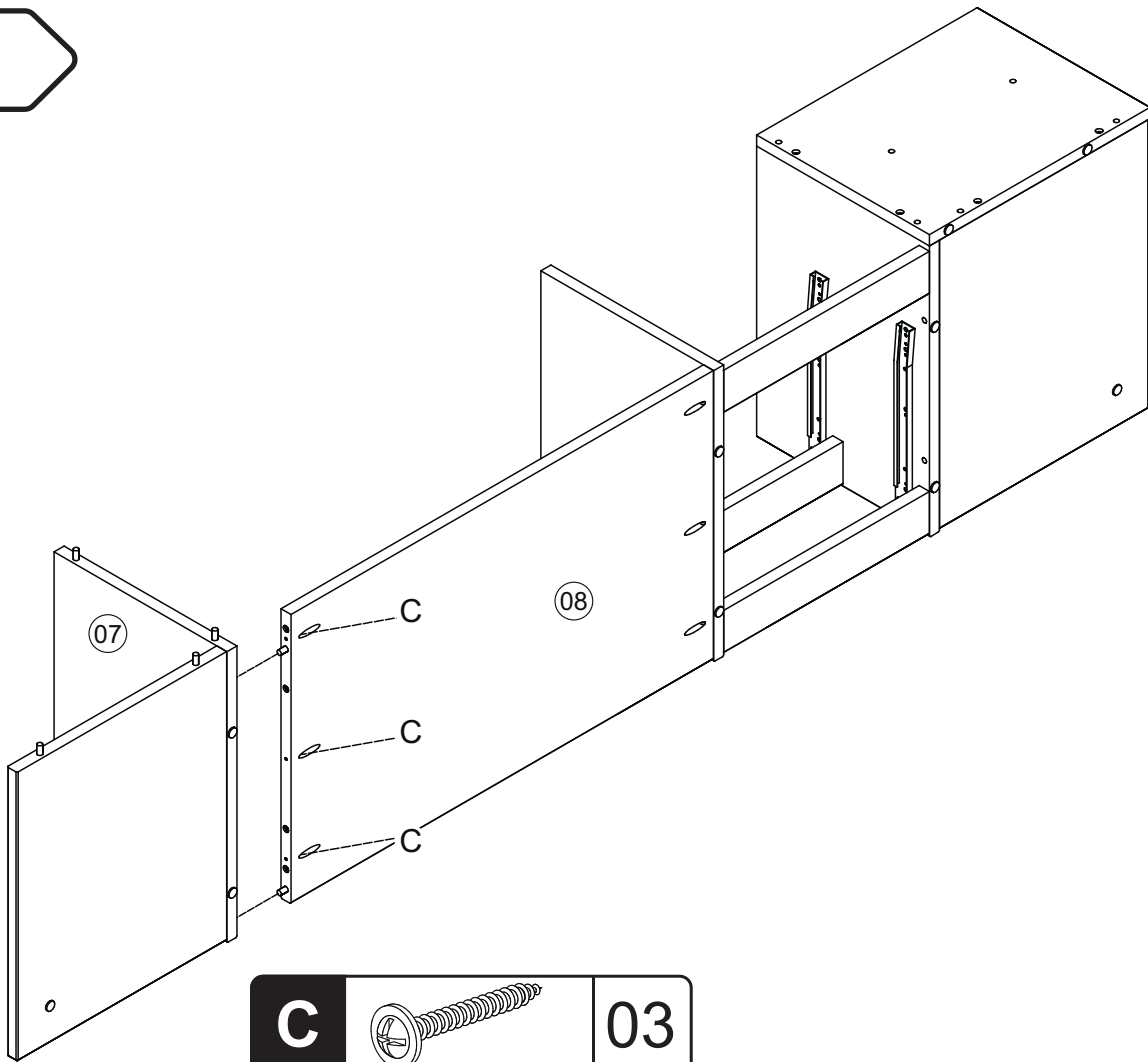
C		03
----------	---	-----------

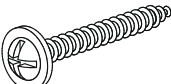
11



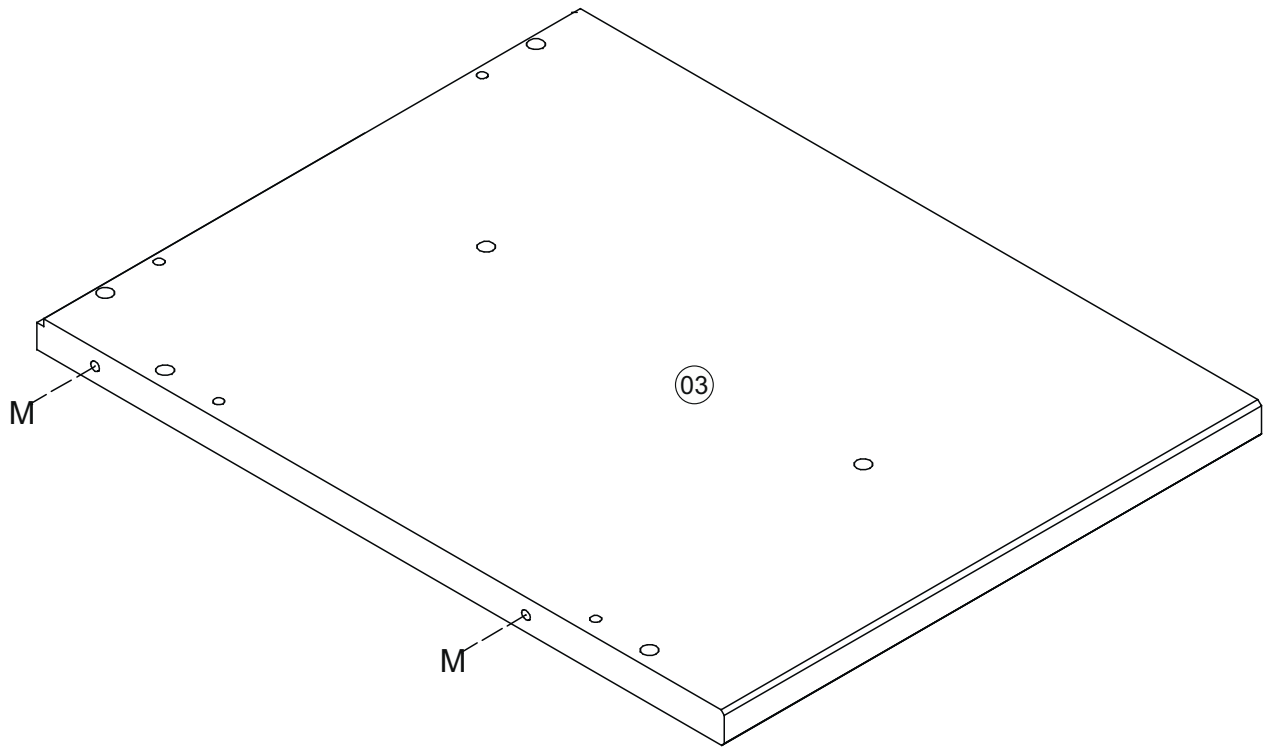
G		02	L		01
----------	--	----	----------	---	----

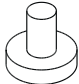
12



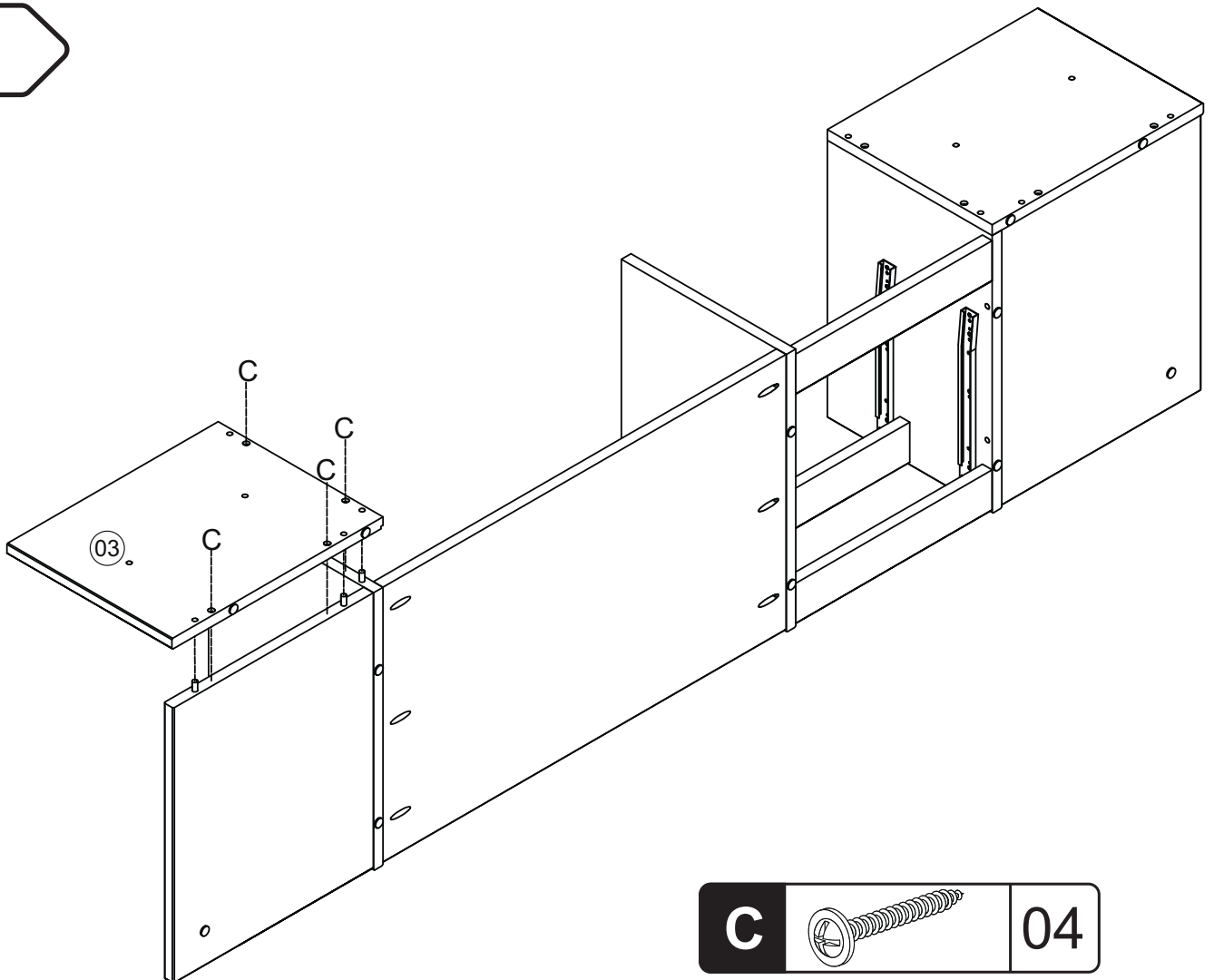
C		03
----------	---	----

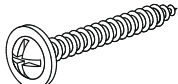
13



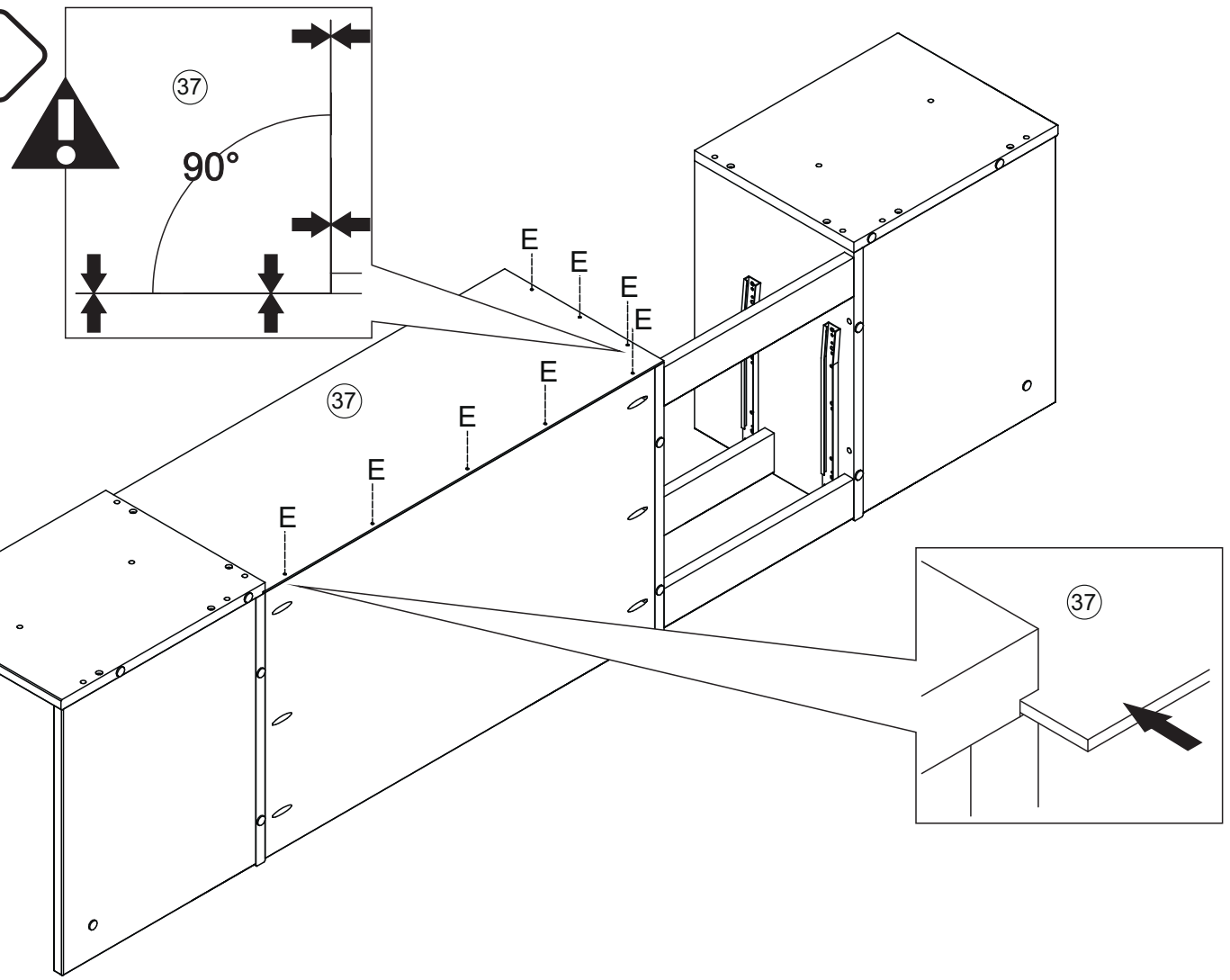
M		02
----------	--	----

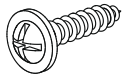
14



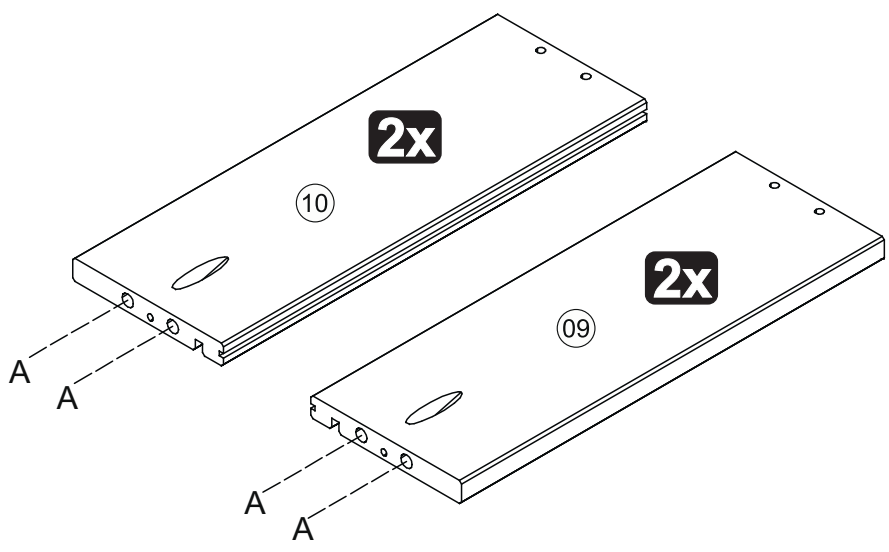
C		04
----------	---	----


15



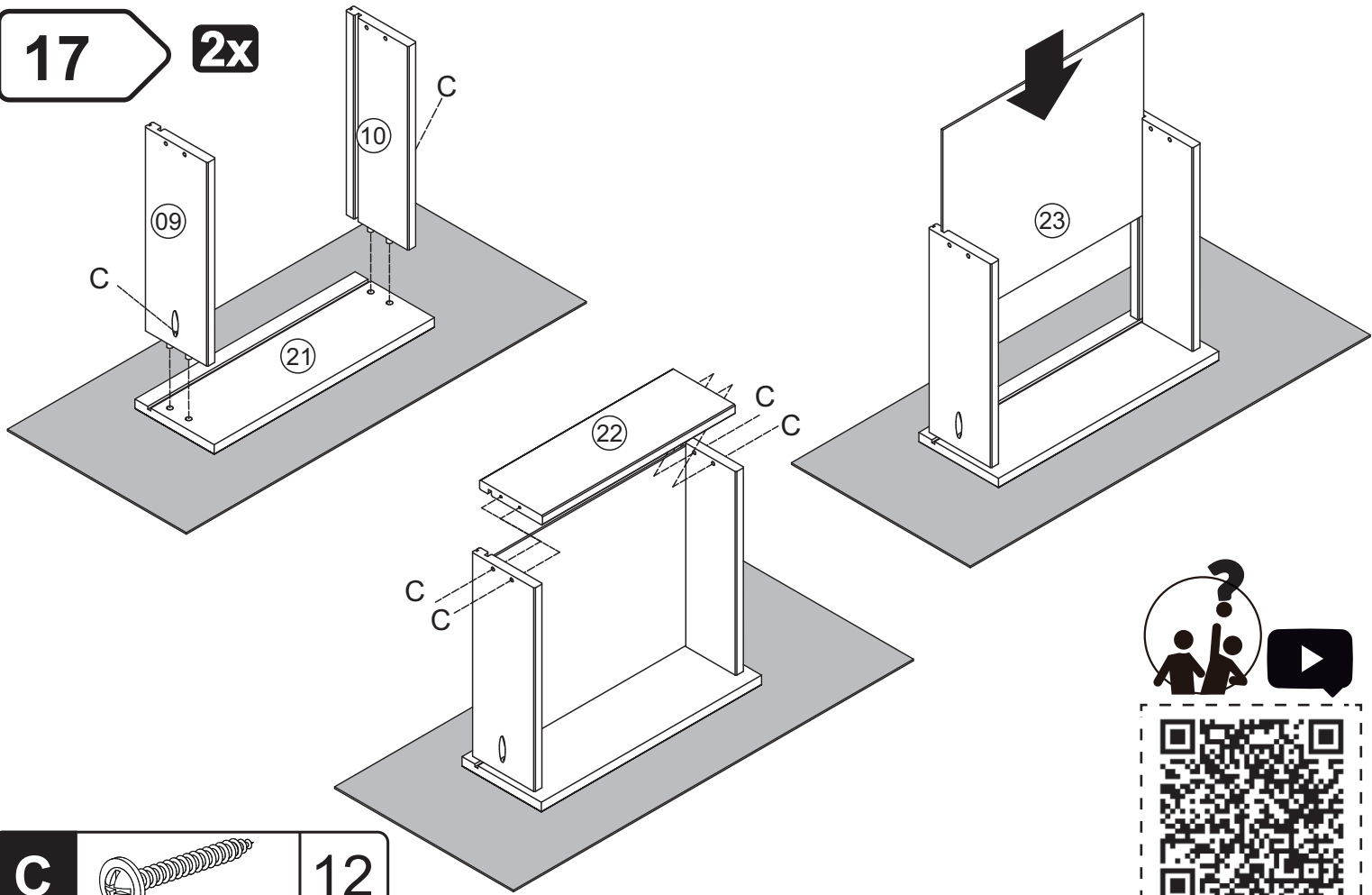
E		08
----------	---	----

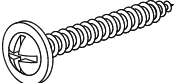
16



A		08
----------	---	----

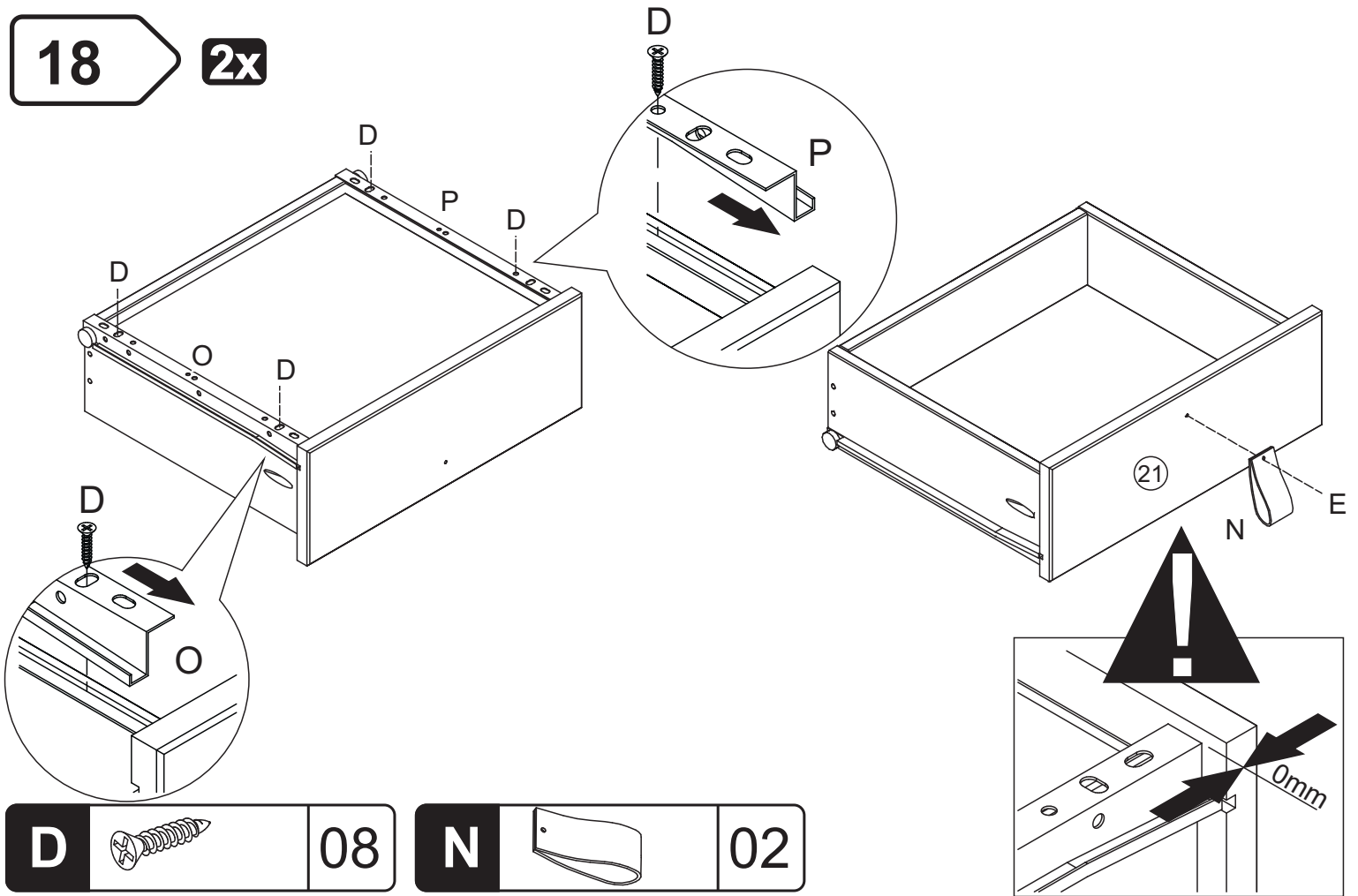
17 **2x**

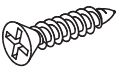


C  **12**




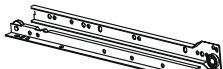
18 **2x**

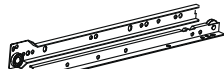


D  **08**

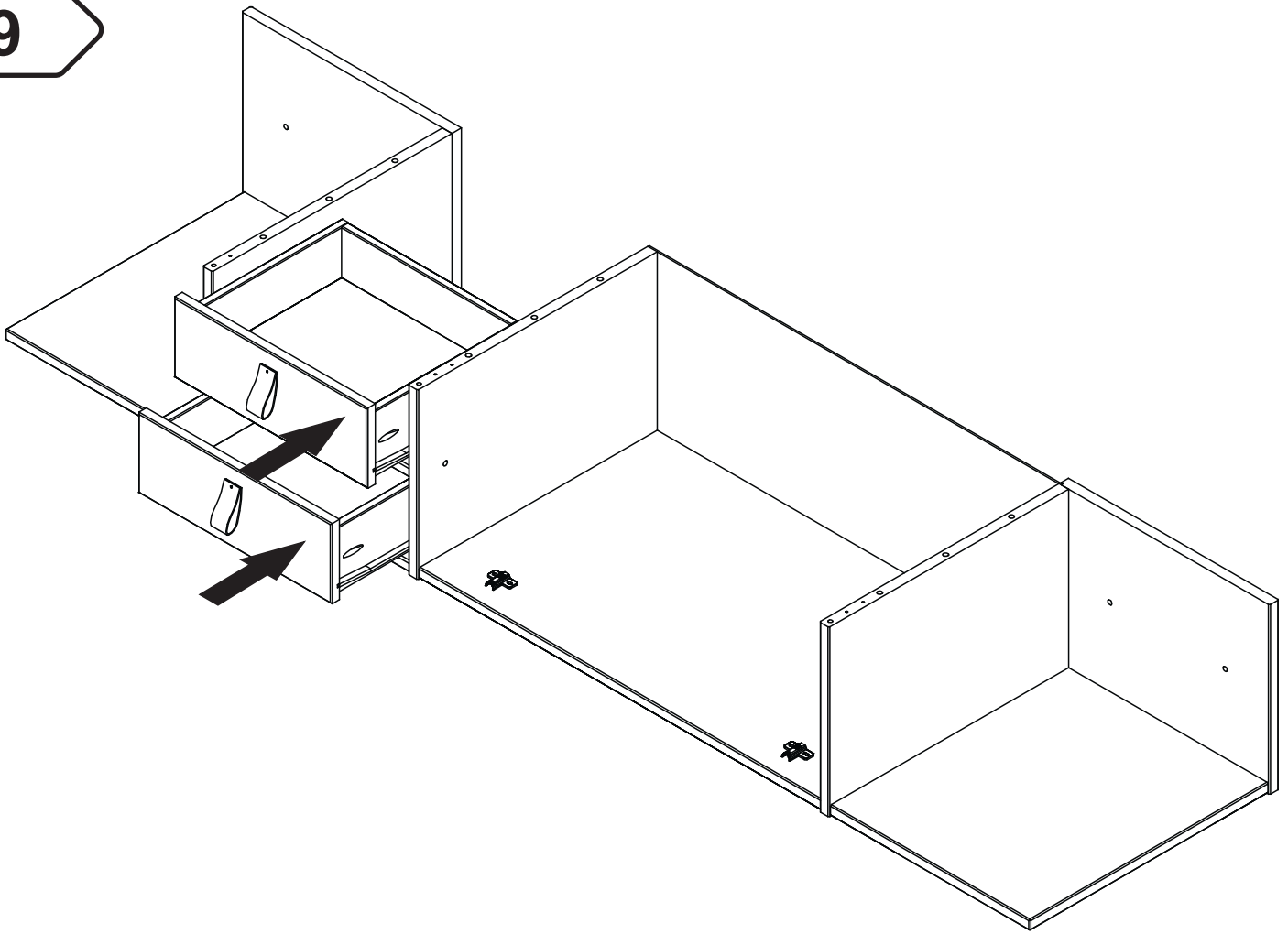
N  **02**

E  **02**

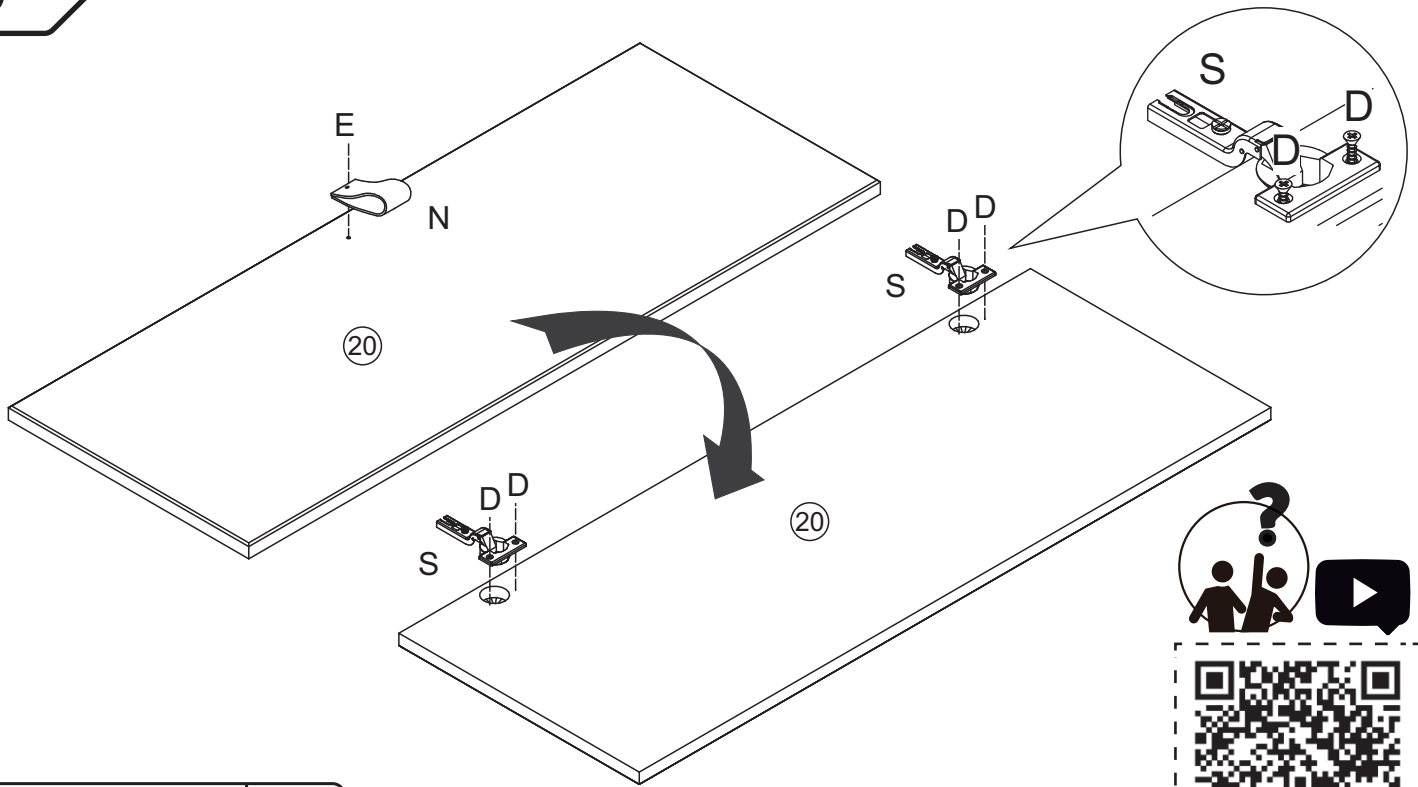
O  **02**

P  **02**

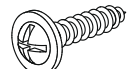
19





20

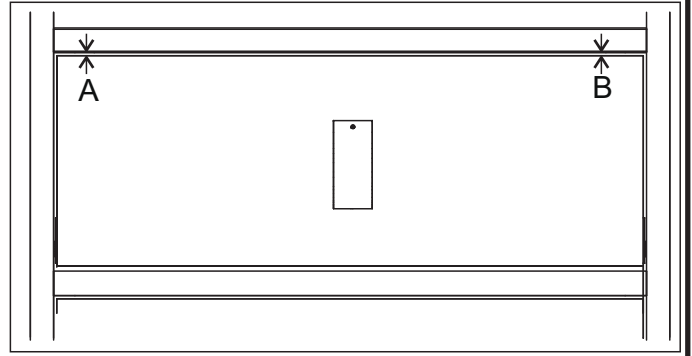
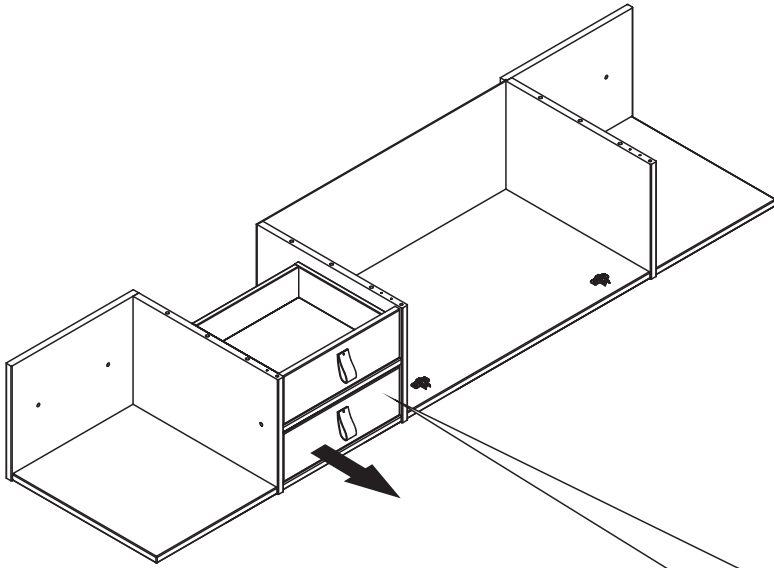


D		04
----------	---	----

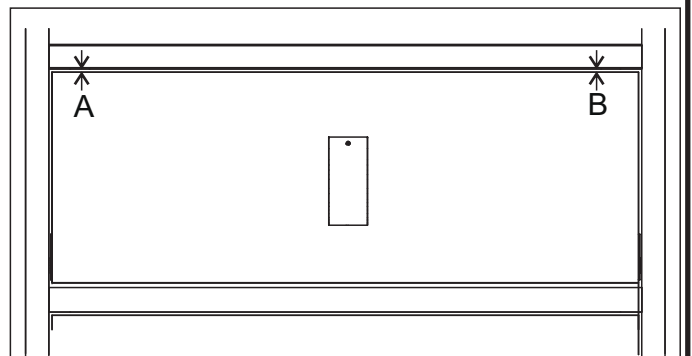
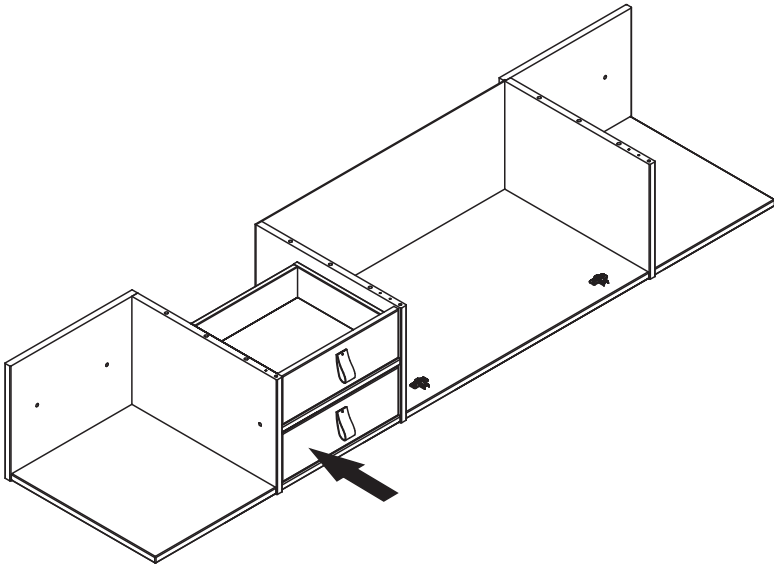
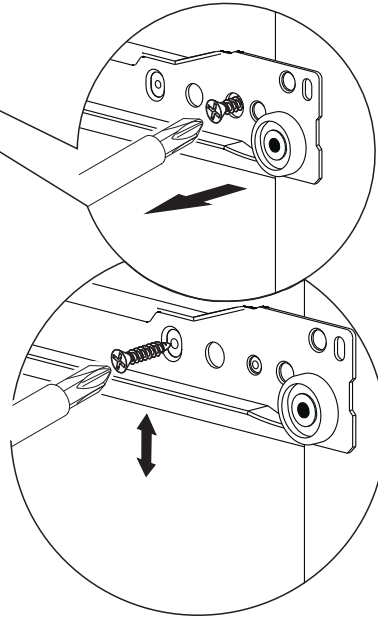
E		01
----------	---	----

N		01
----------	---	----

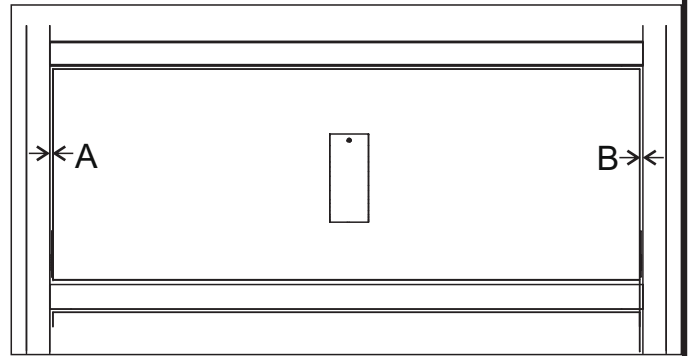
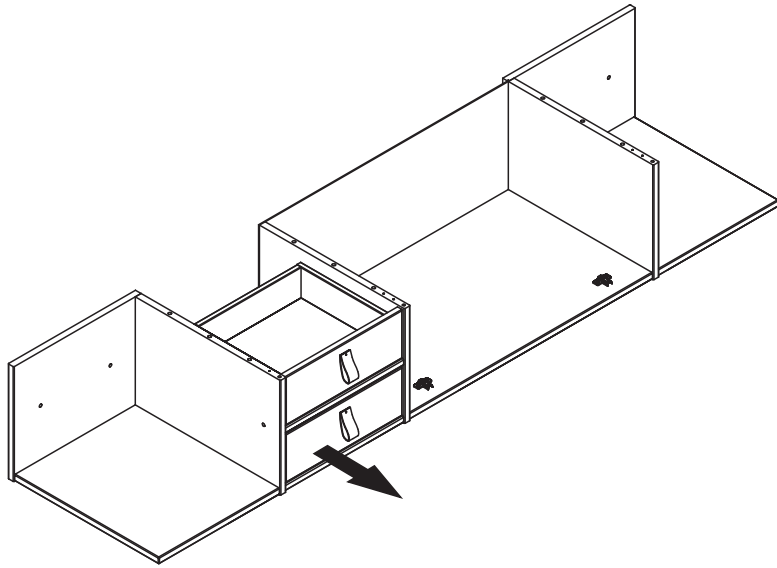
S		02
----------	---	----



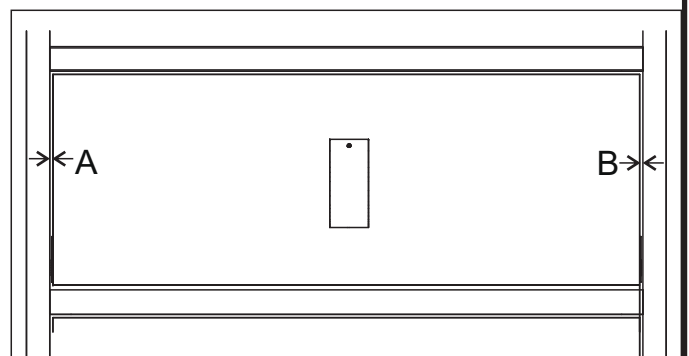
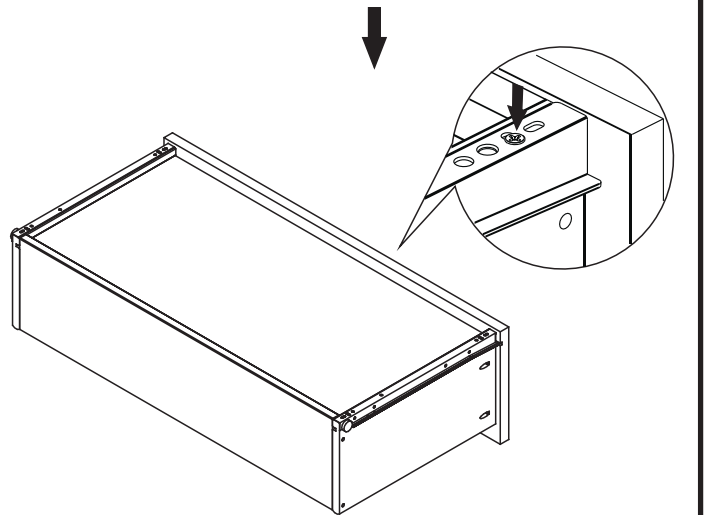
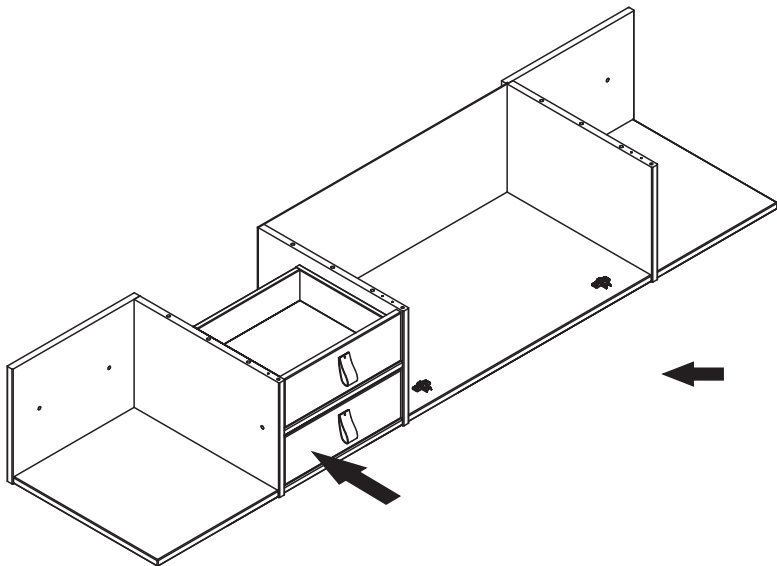
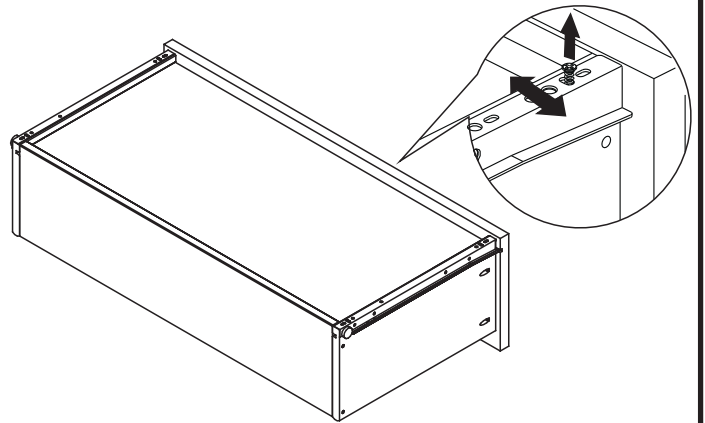
A≠B



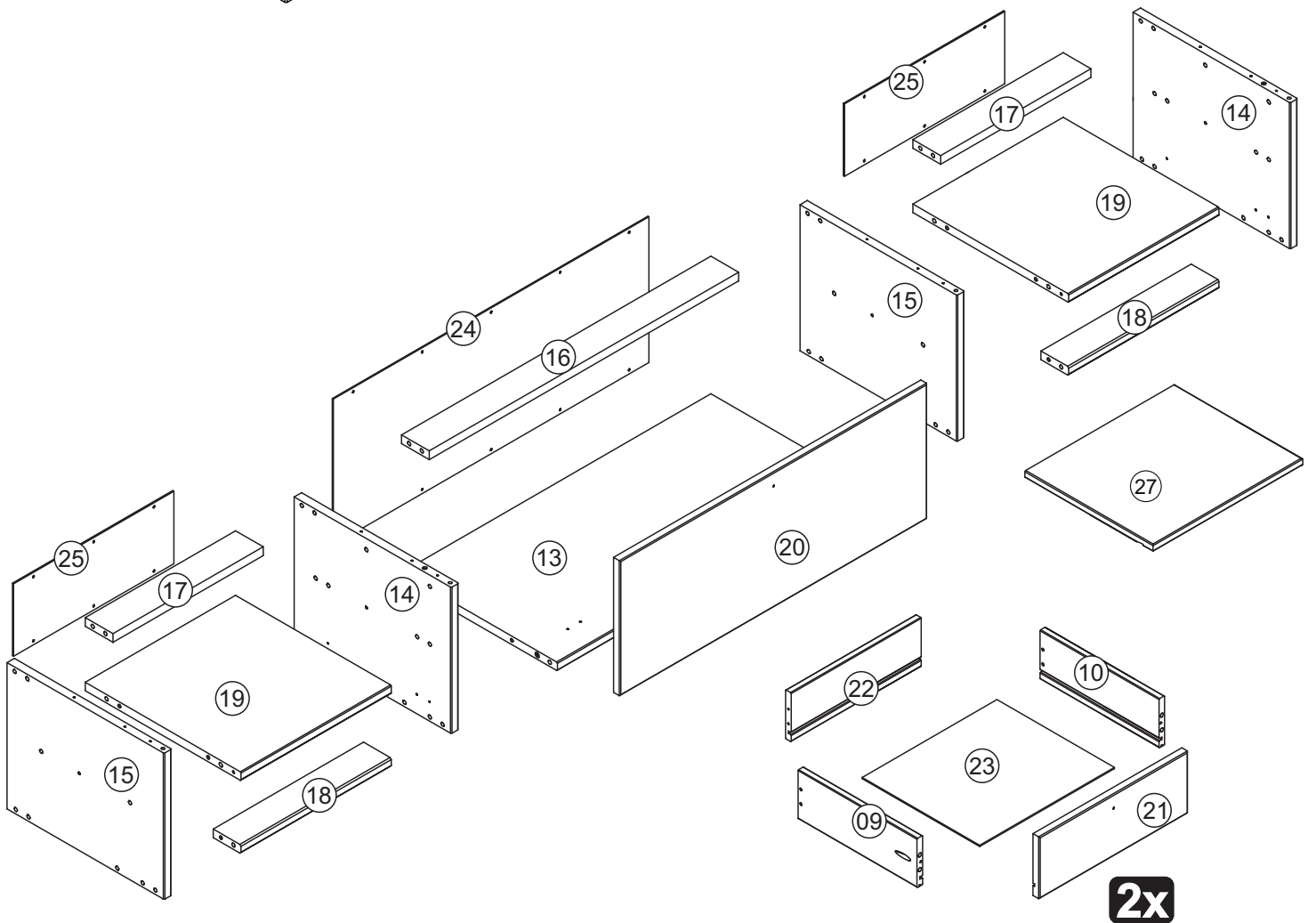
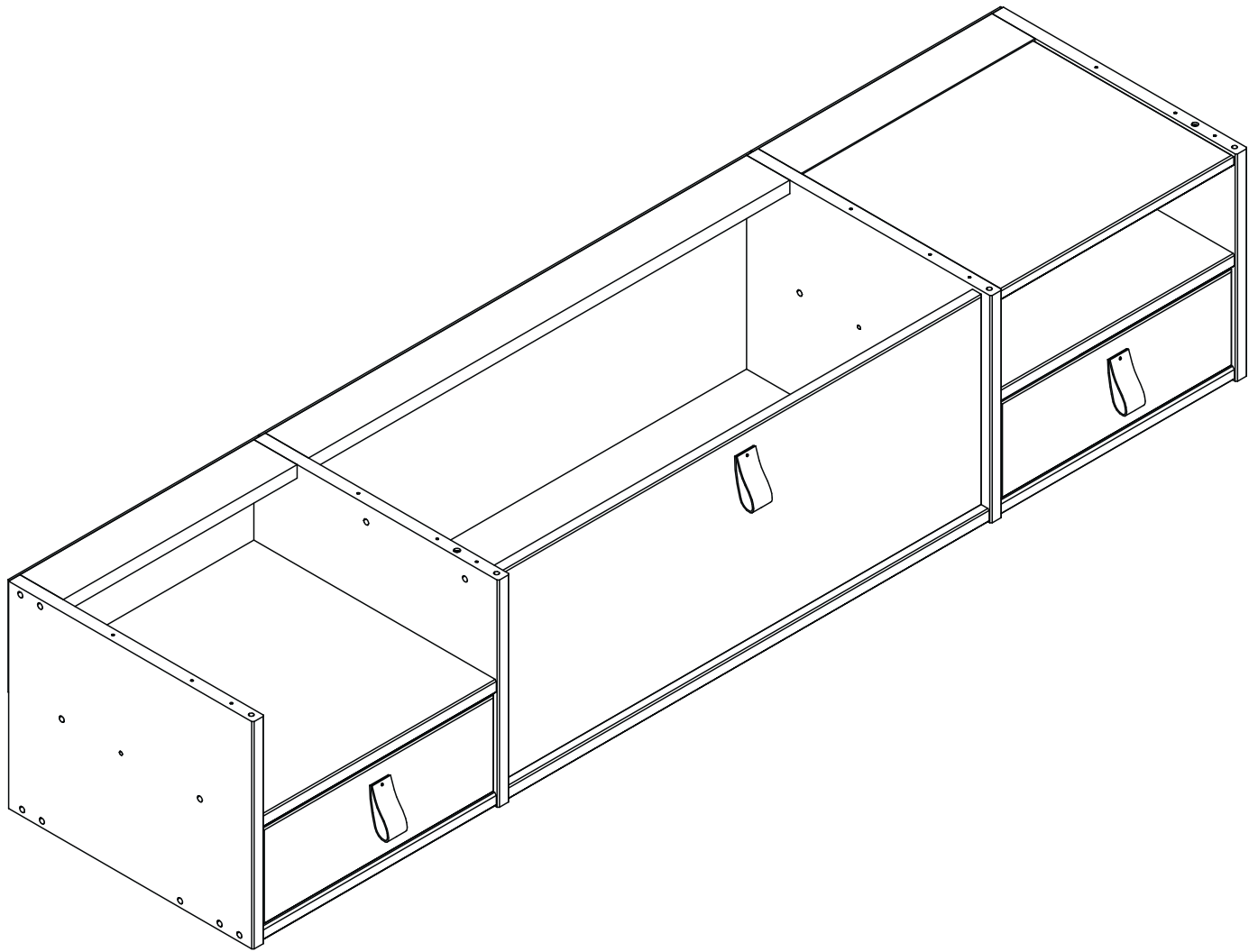
A=B



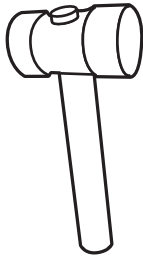
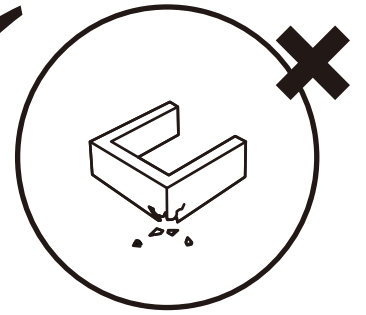
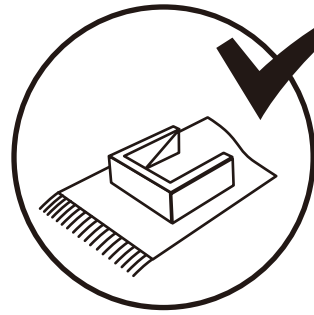
A≠B




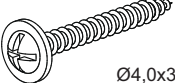
A=B




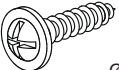
2x

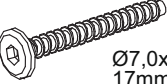


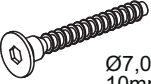
A	 Ø8,0x25mm	36
----------	--	----


C	 Ø4,0x30mm	13
----------	--	----

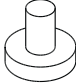
D	 Ø3,5x14mm	28
----------	--	----


E	 Ø3,5x16mm	31
----------	--	----

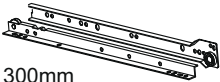
F	 Ø7,0x50mm 17mm	06
----------	--	----

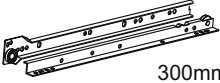
G	 Ø7,0x50mm 10mm	08
----------	--	----

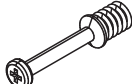
L		01
----------	---	----

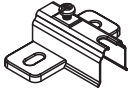
M		08
----------	---	----

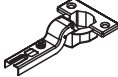
N		03
----------	---	----


O	 300mm	02
----------	--	----


P	 300mm	02
----------	--	----

Q		02
----------	---	----

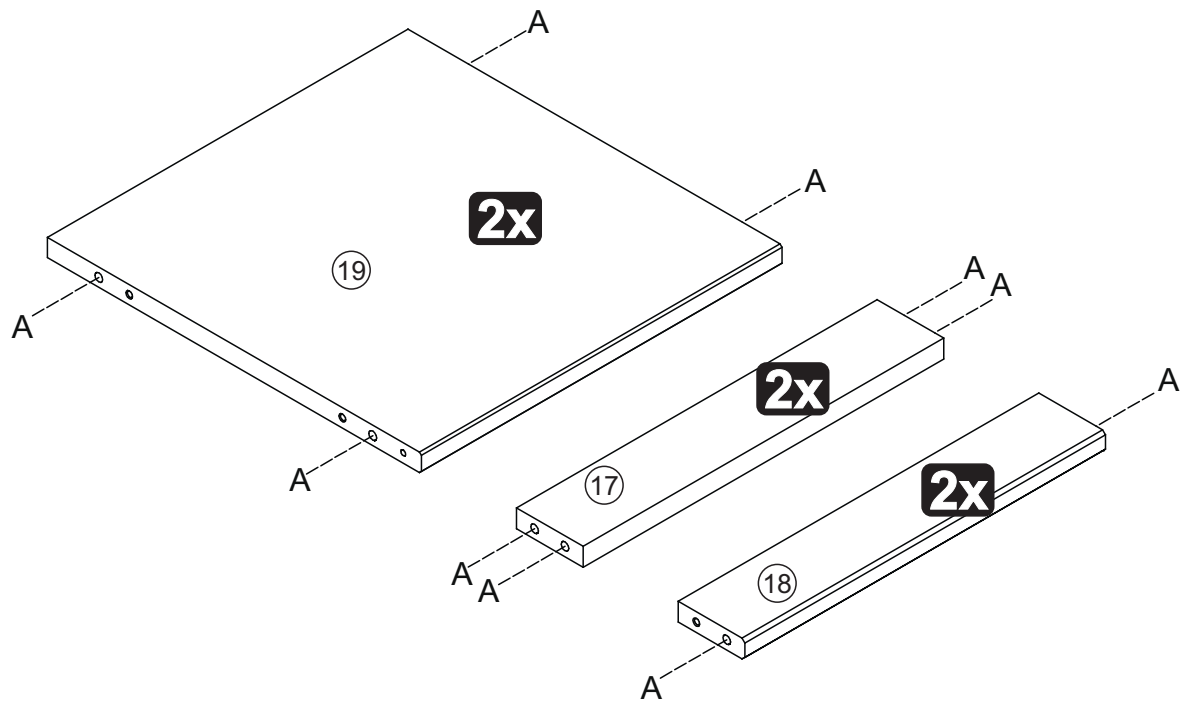
R		02
----------	---	----

S		02
----------	---	----

T		02
----------	---	----

Z		02
----------	---	----

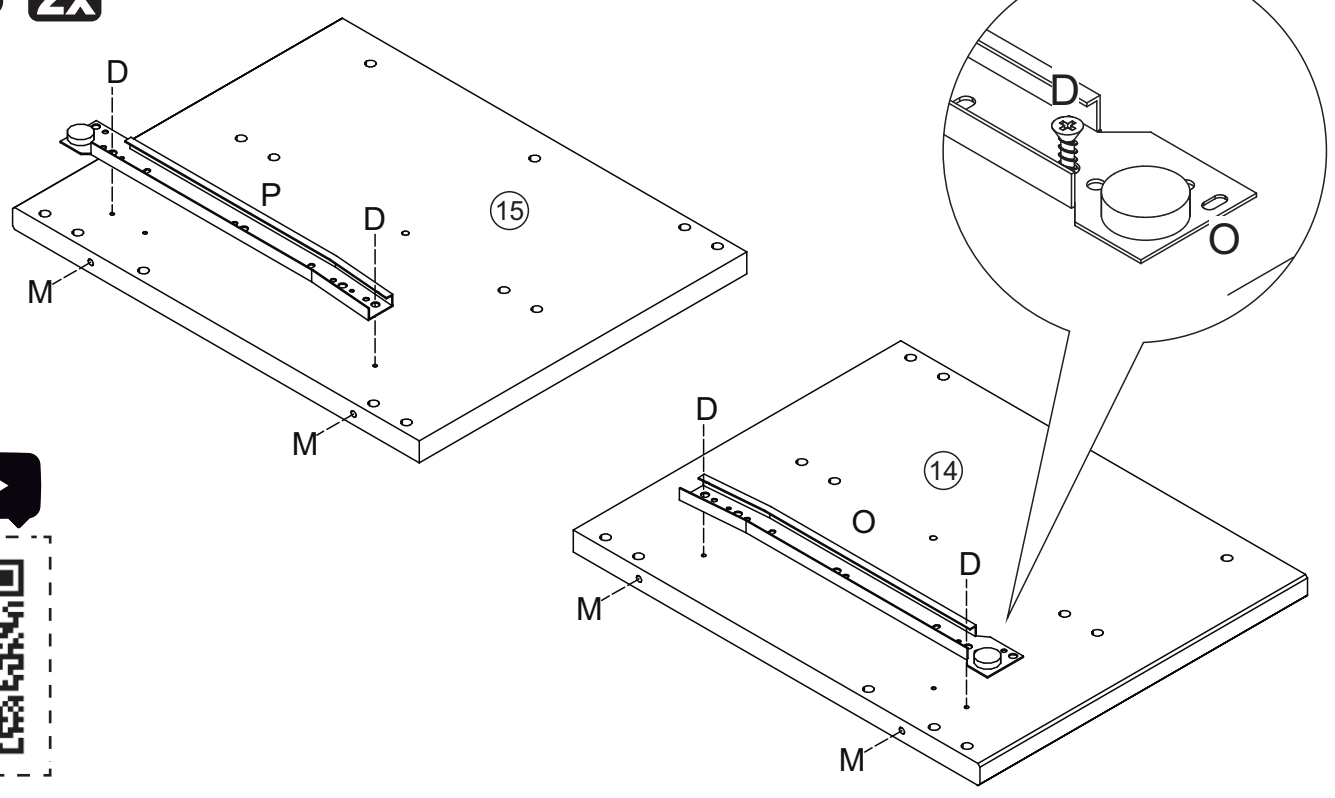
21



A		20
----------	--	----

22

2x

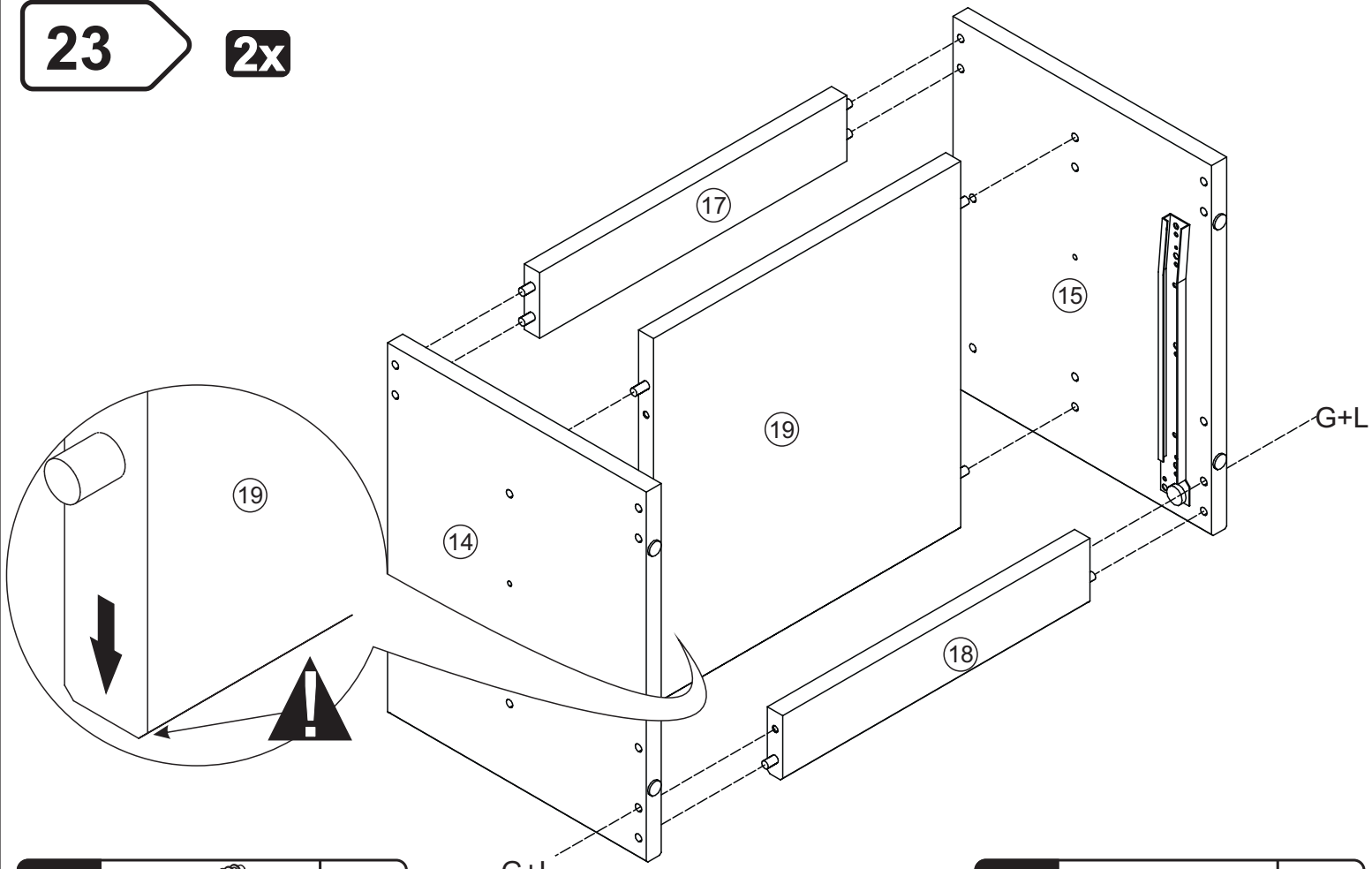
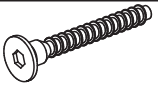


D		08
----------	--	----

M		08
----------	--	----

O		02
----------	--	----

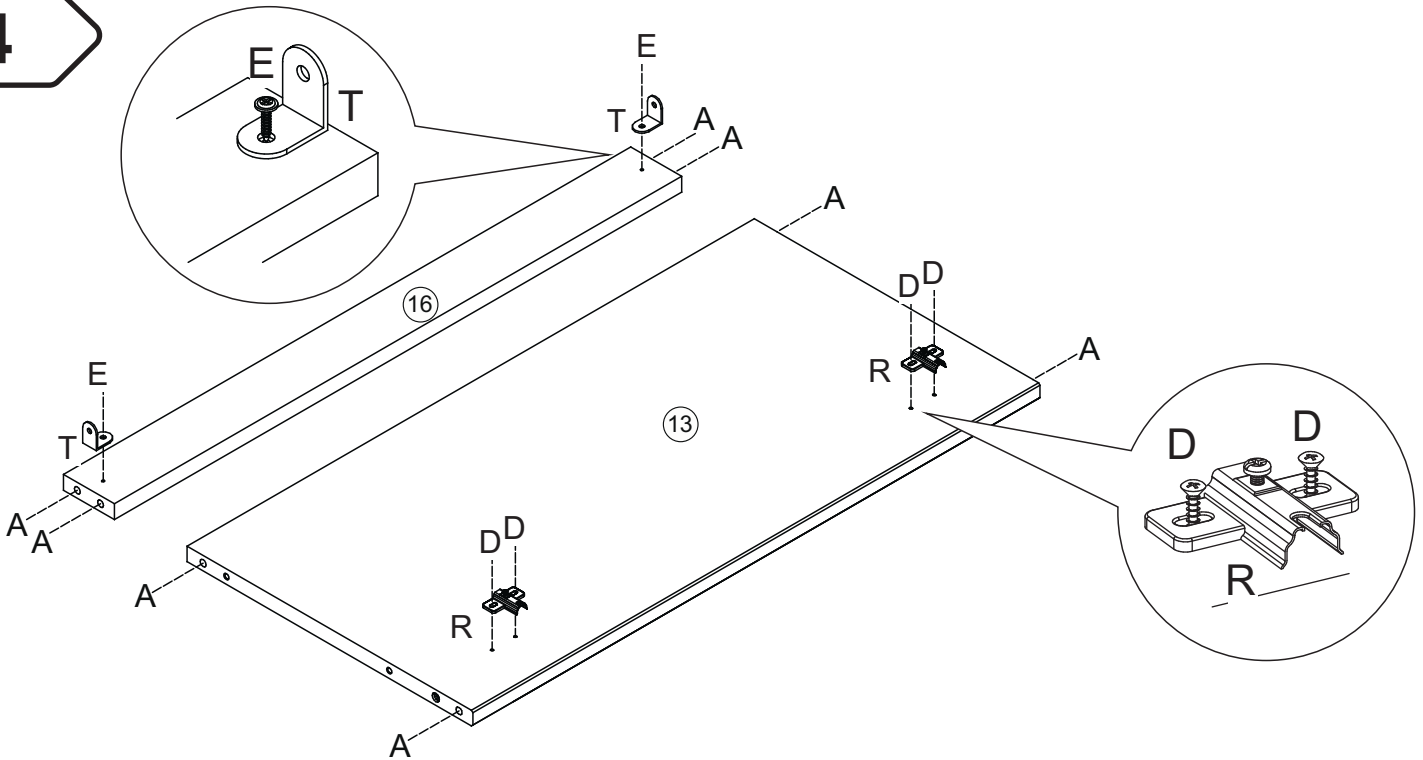
P		02
----------	--	----

23**2x****G**

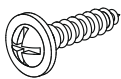
04

L

01

24**A**

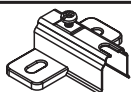
08

E

02

D

04

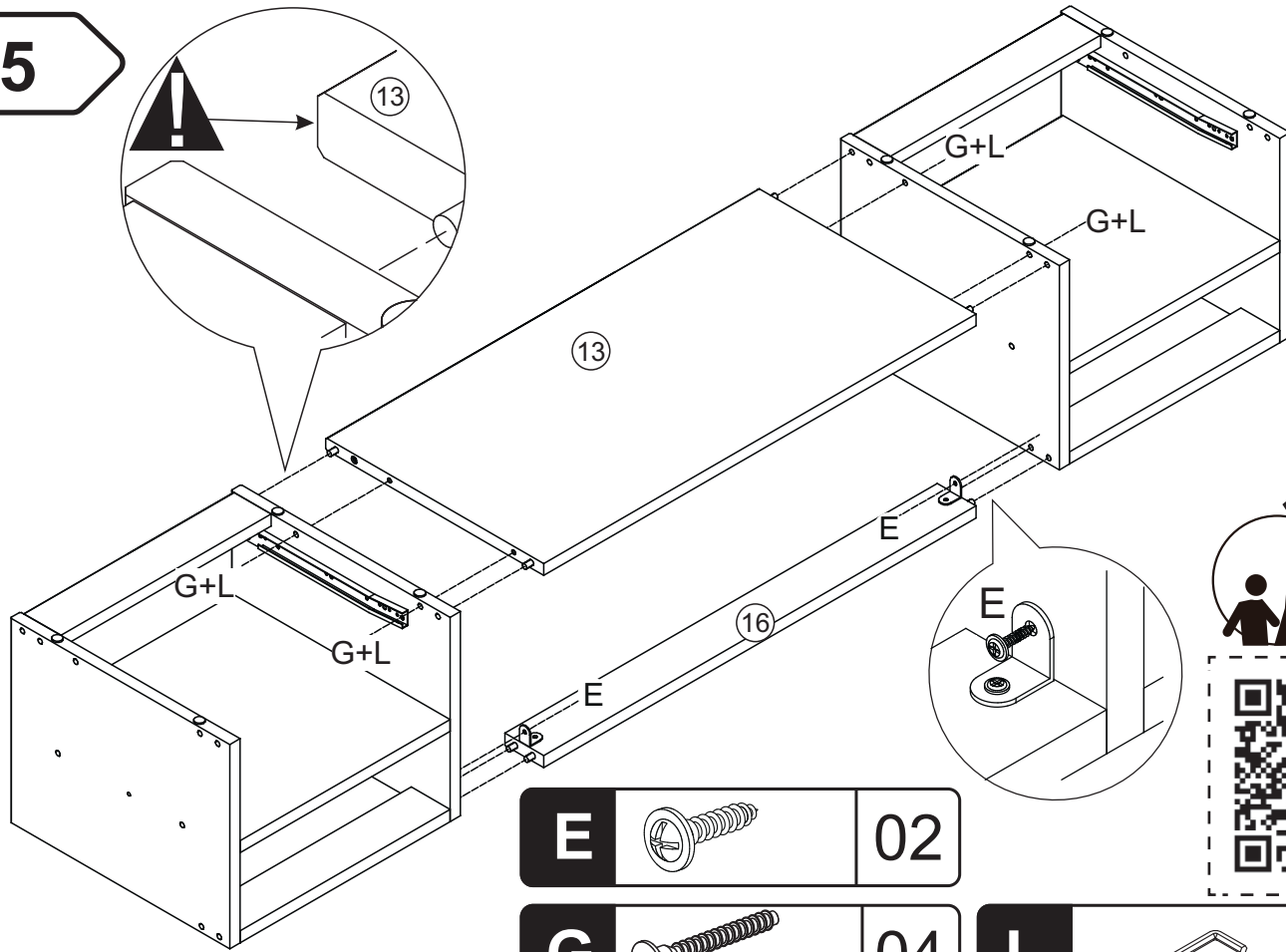
R

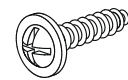
02

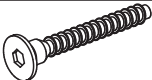
T


02

25



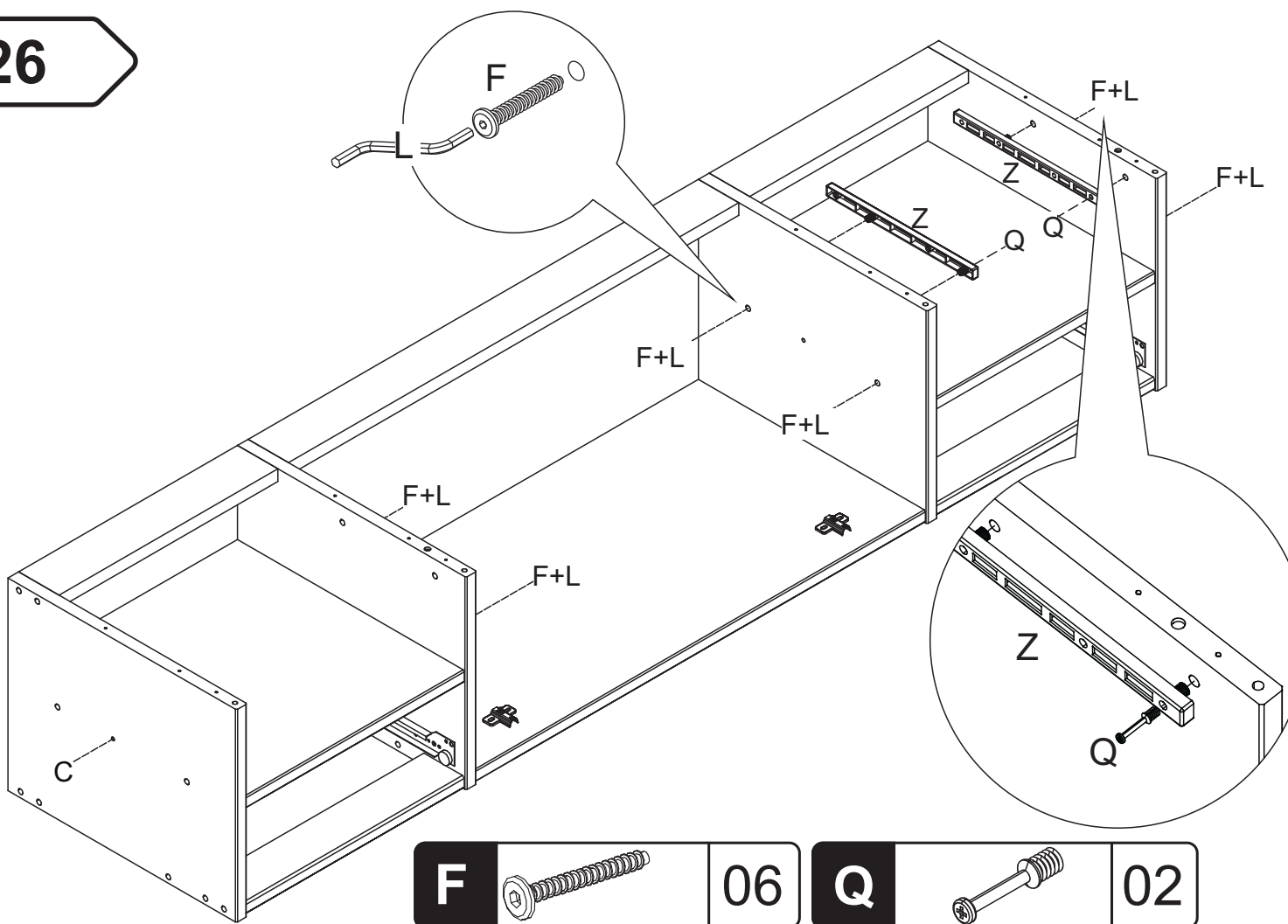
E		02
----------	---	----


G		04
----------	--	----

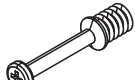
L		01
----------	---	----





26




F		06
----------	---	----

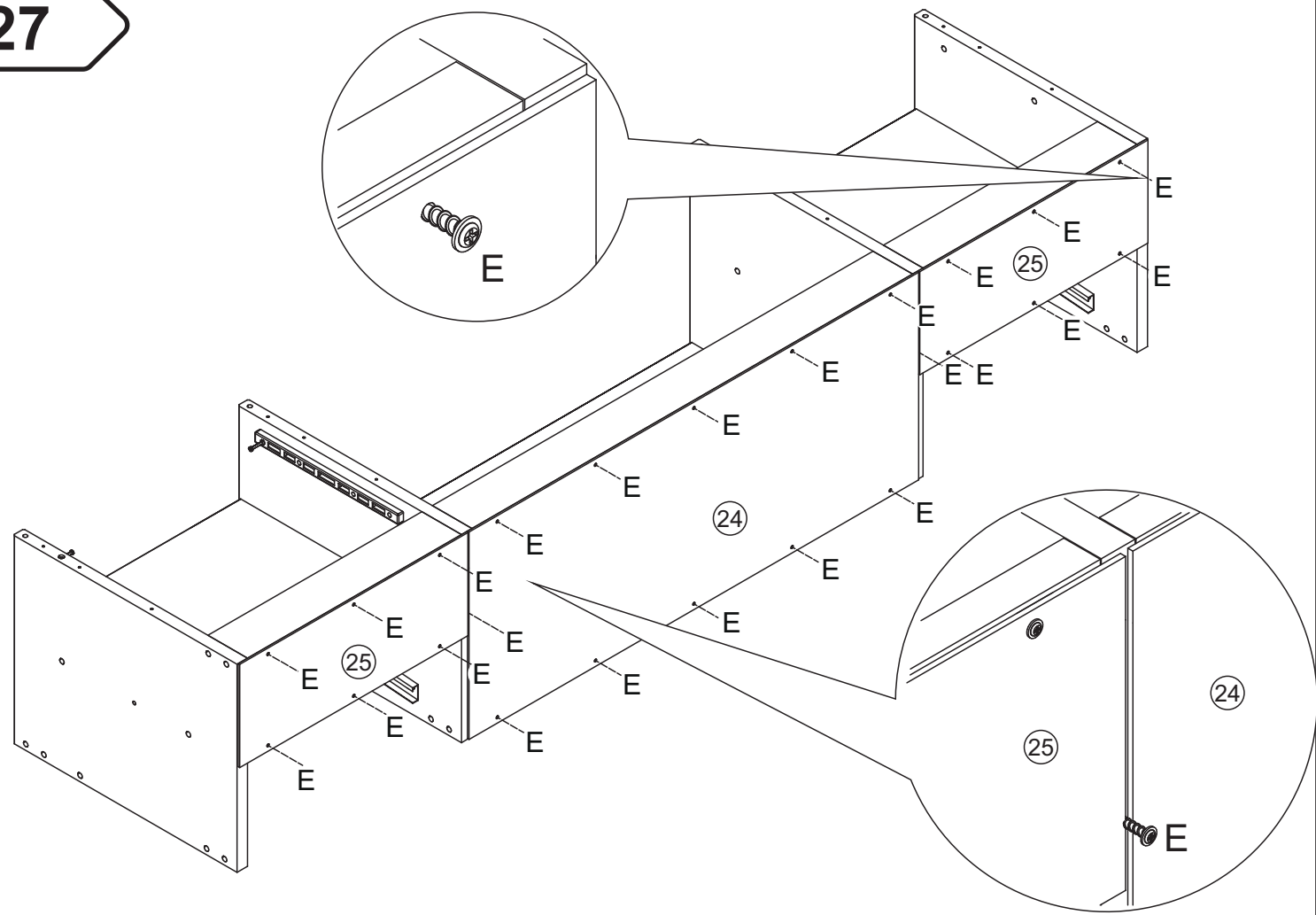
Q		02
----------	---	----

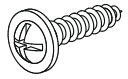
C		01
----------	---	----

L		01
----------	---	----

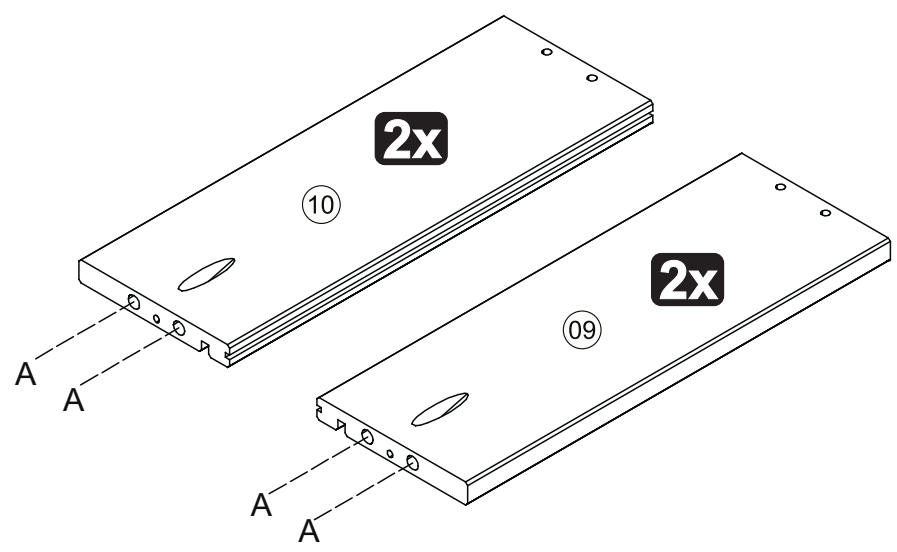
Z		02
----------	---	----


27

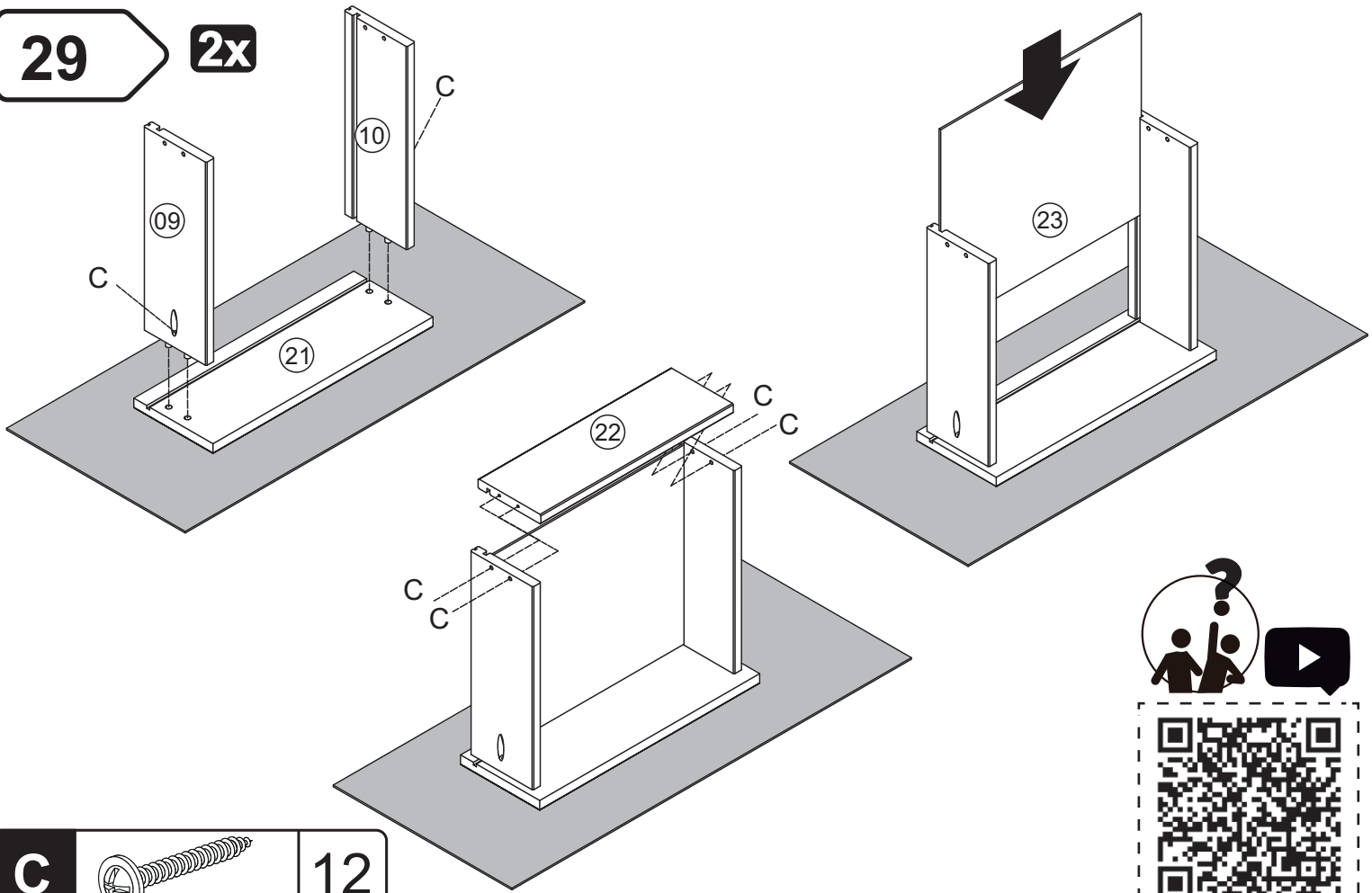
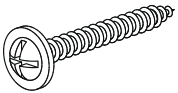
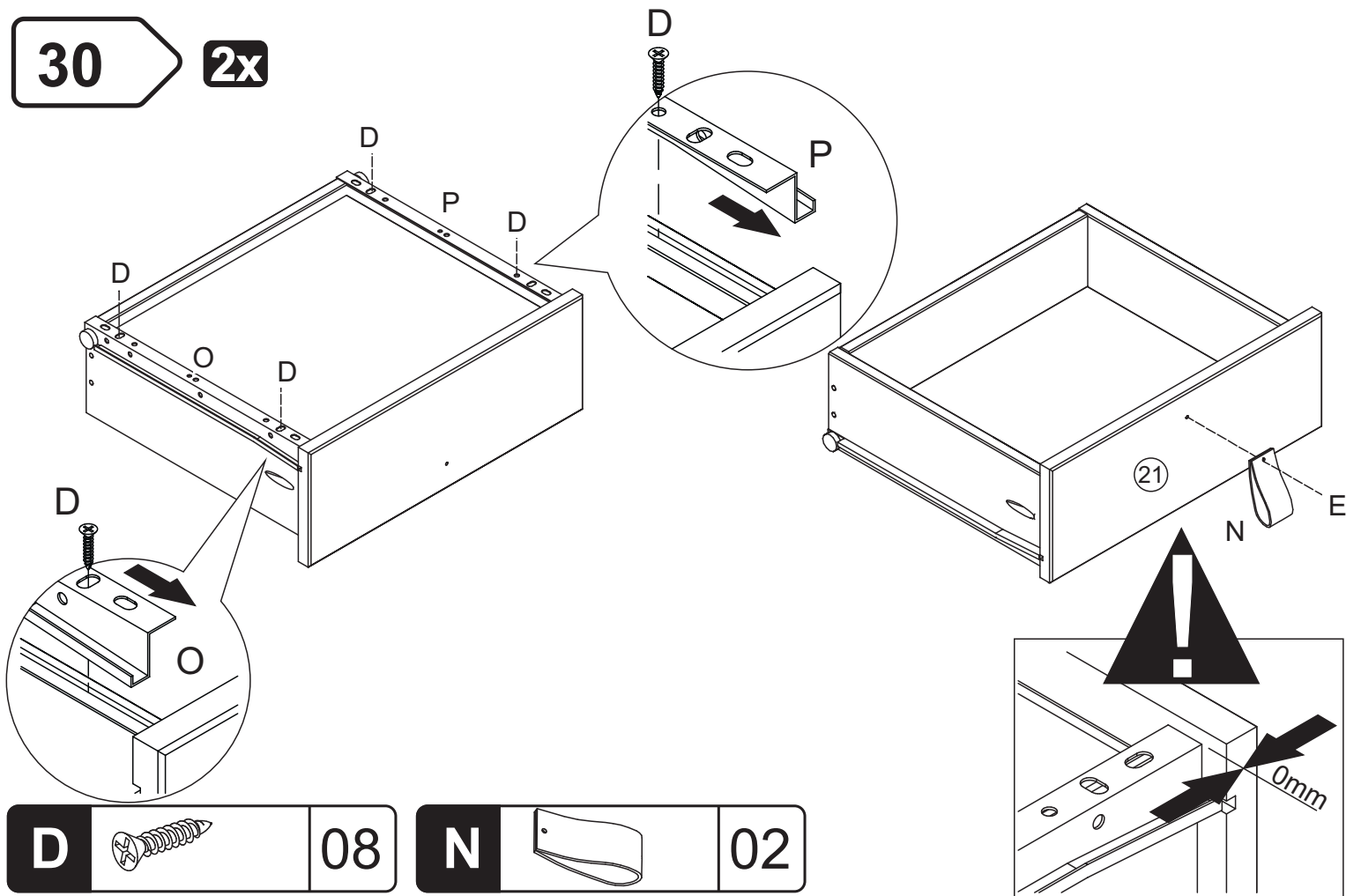
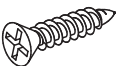
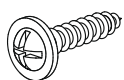
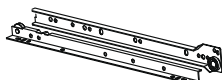
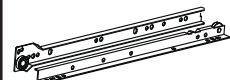


E		24
----------	---	-----------

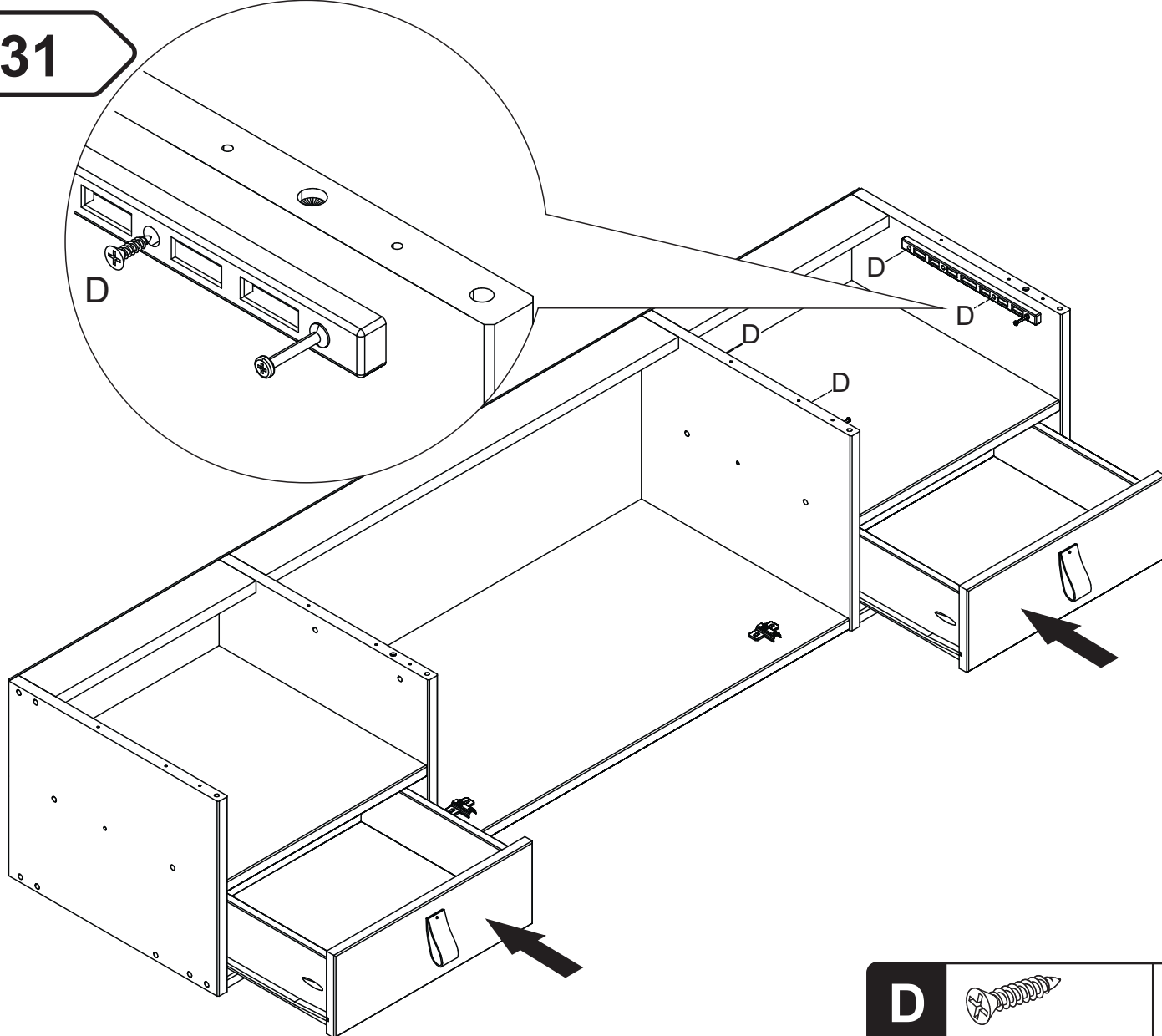
28

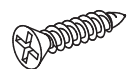


A		08
----------	---	-----------

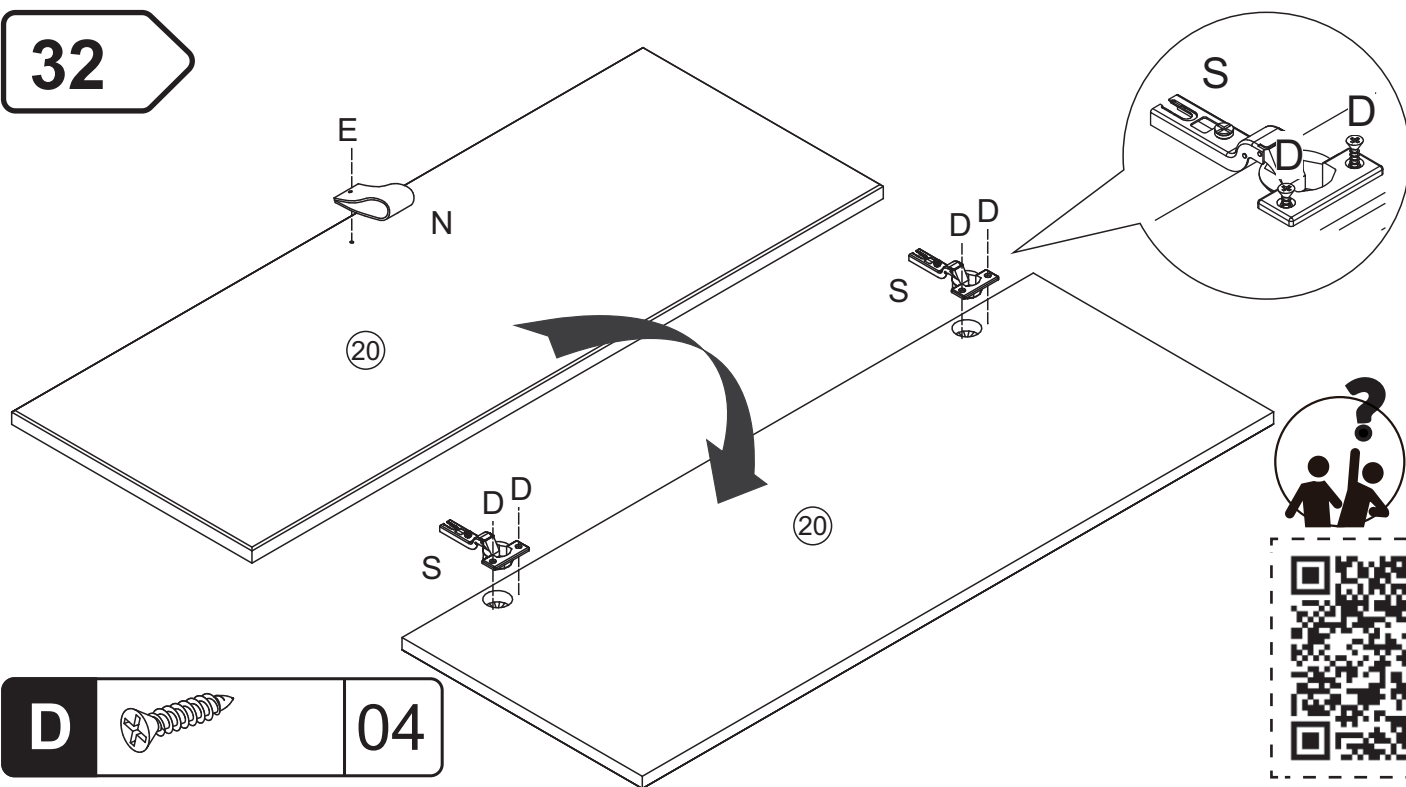
29**2x****C****12****30****2x****D****08****N****02****E****02****O****02****P****02**

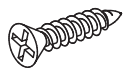
31

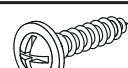



D		04
----------	---	----

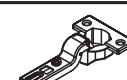
32



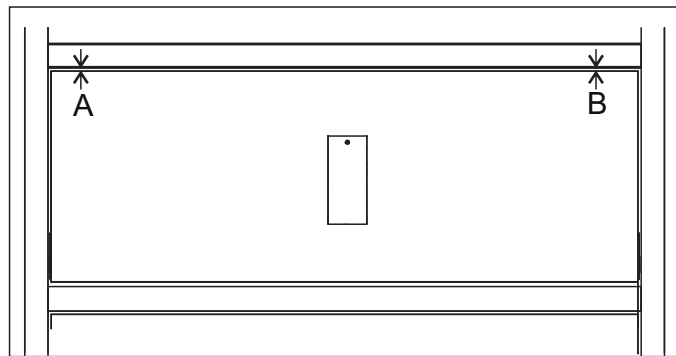
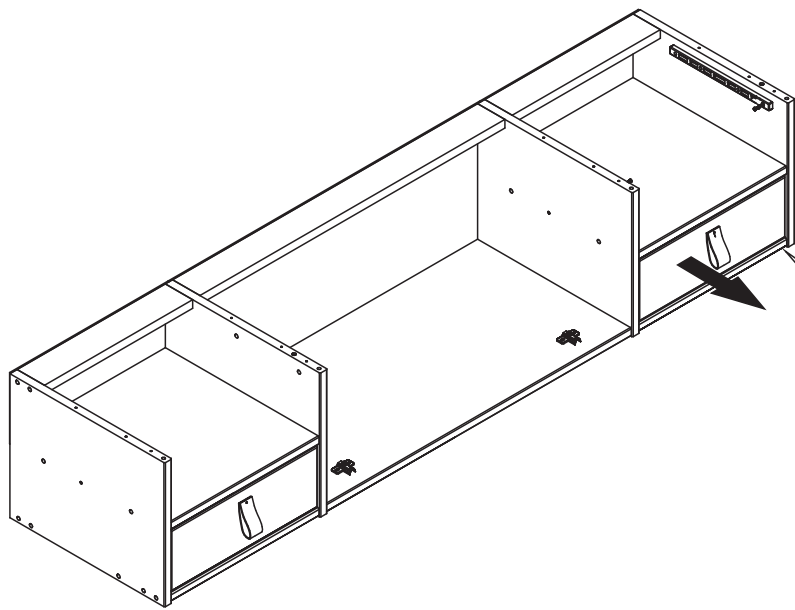
D		04
----------	---	----

E		01
----------	---	----

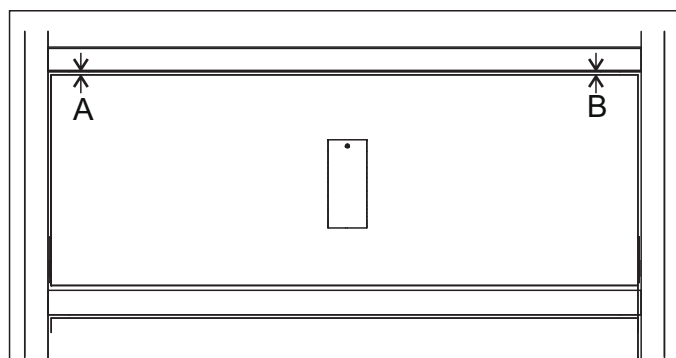
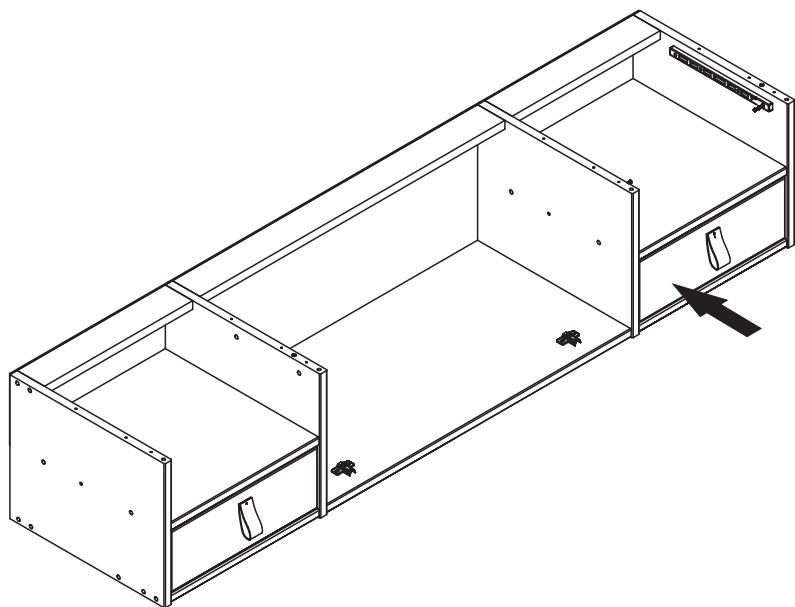
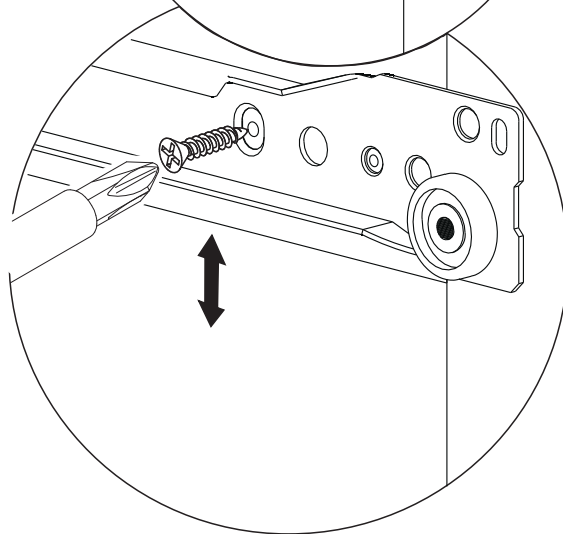
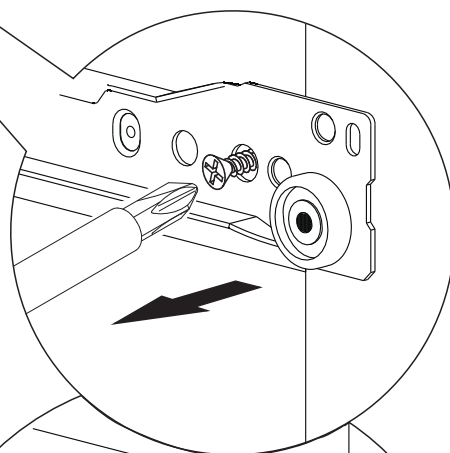
N		01
----------	---	----

S		02
----------	---	----

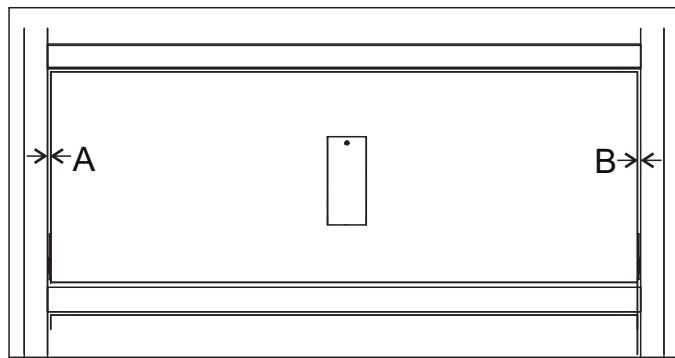
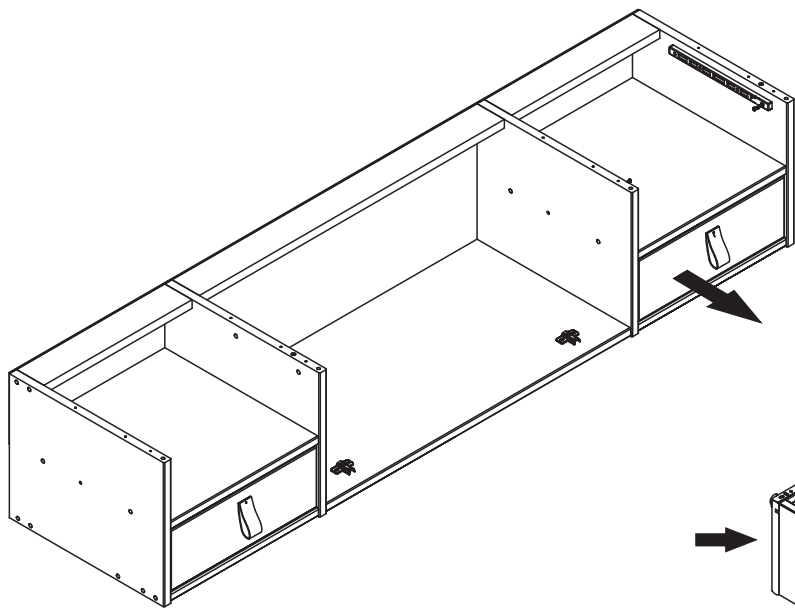




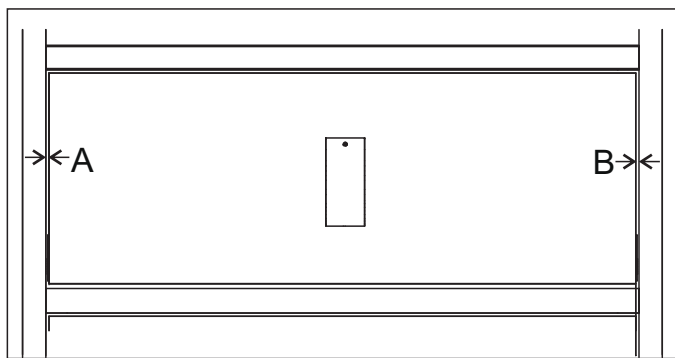
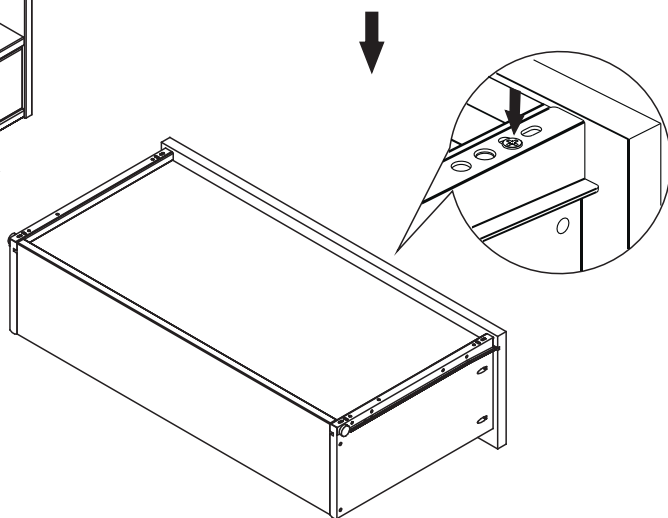
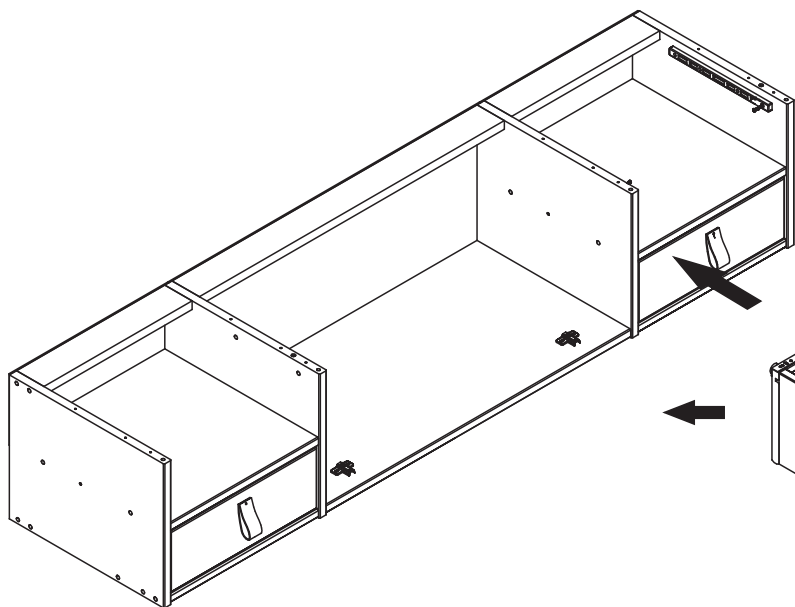
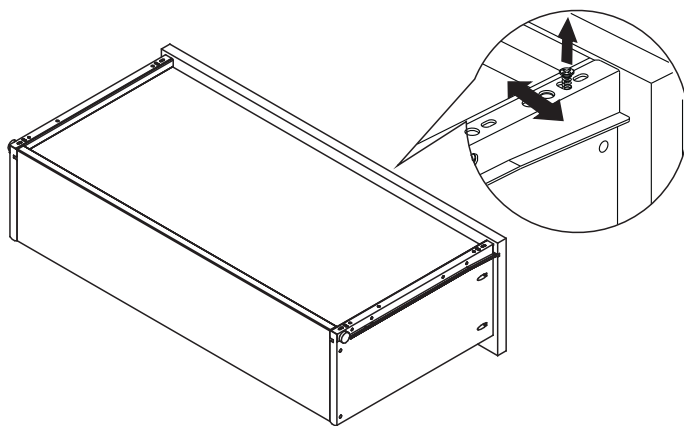
A≠B



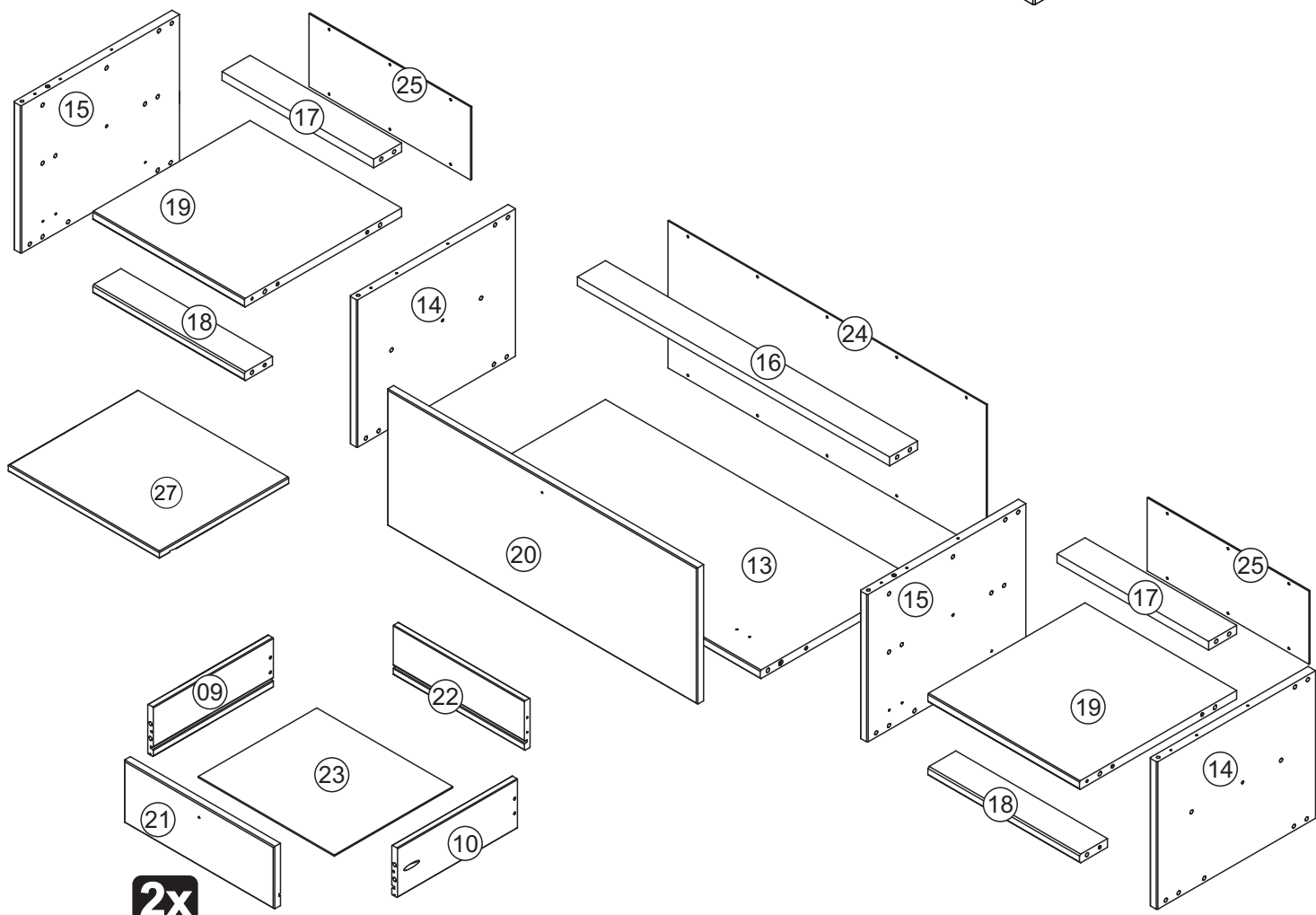
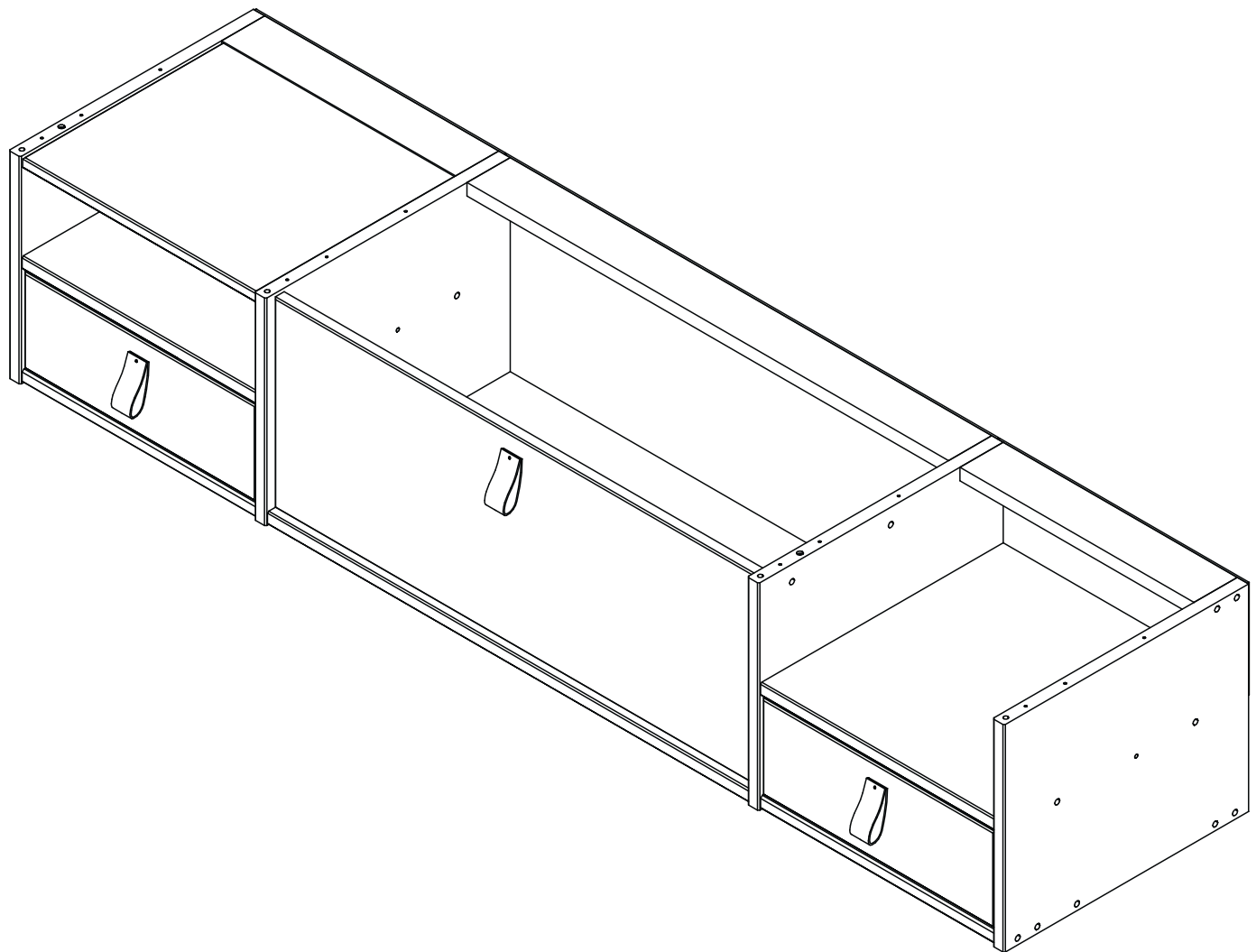
A=B



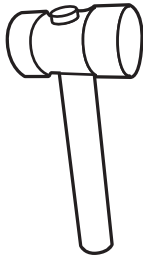
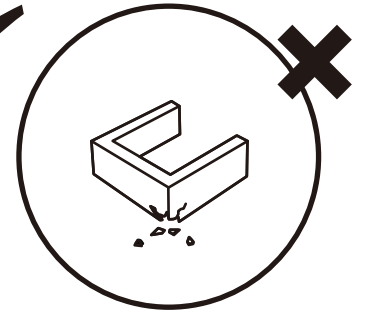
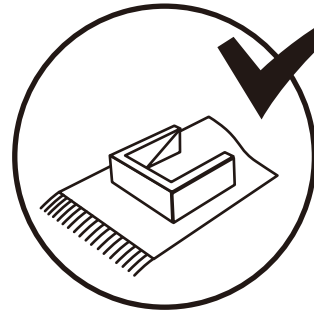
A≠B





A=B



2x




A  36
Ø8,0x25mm

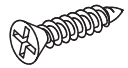
L  01

R  02

C  13
Ø4,0x30mm

M  08

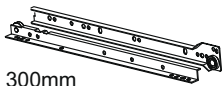
S  02

D  28
Ø3,5x14mm

N  03

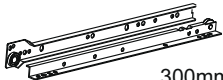
T  02

E  31
Ø3,5x16mm

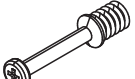
O  02
300mm

Z  02

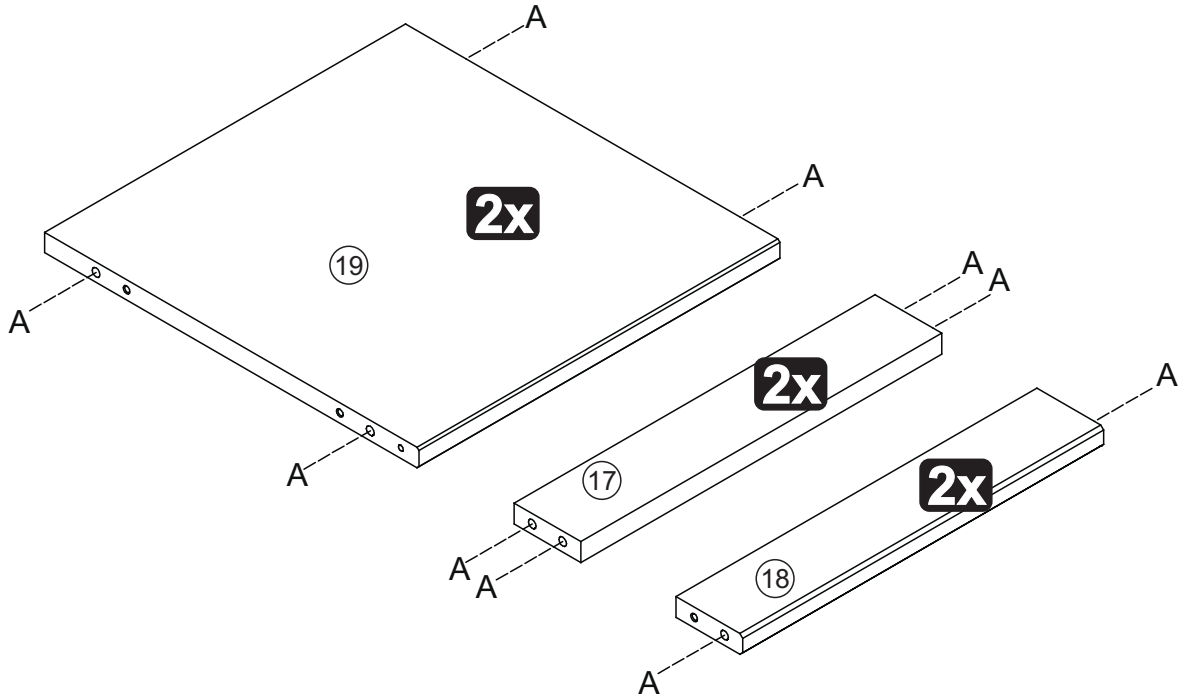
F  06
Ø7,0x50mm
17mm

P  02
300mm

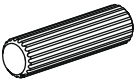
G  08
Ø7,0x50mm
10mm

Q  02

33



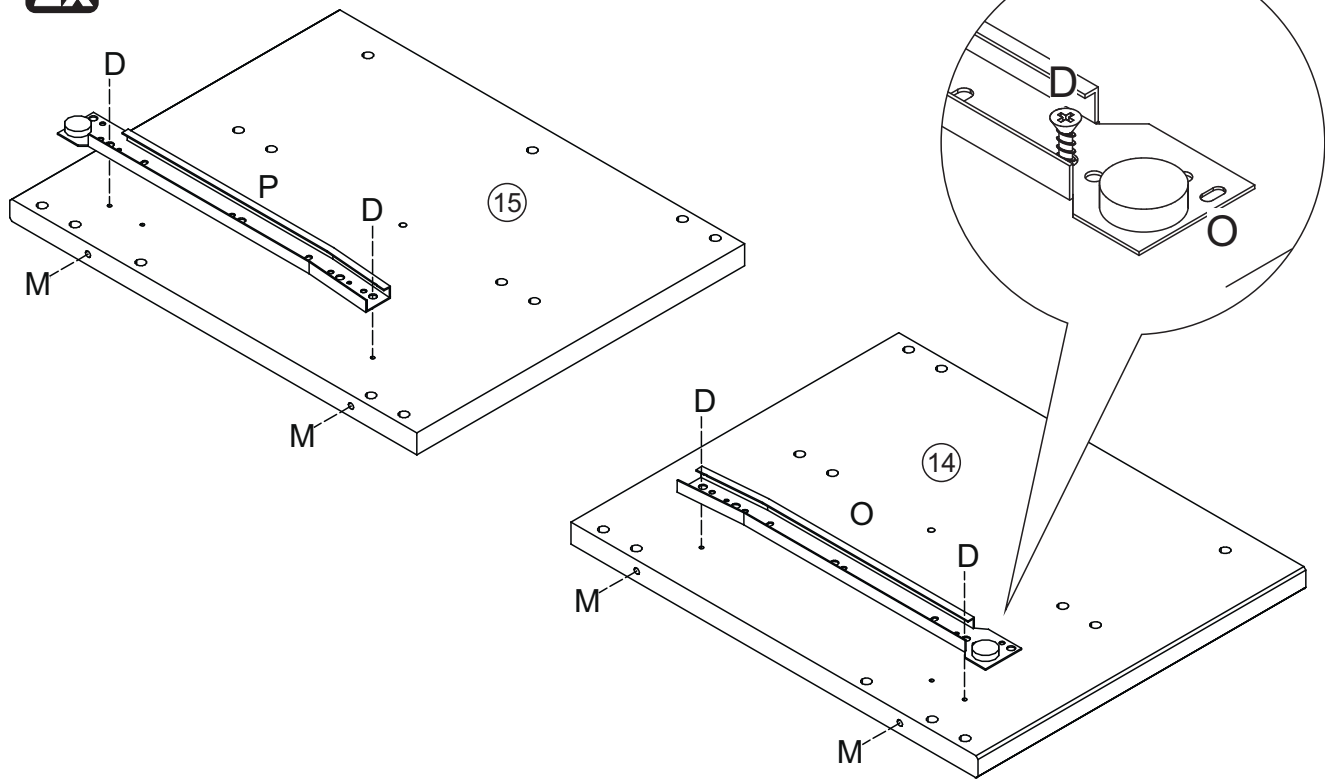
A



20

34

2x



D



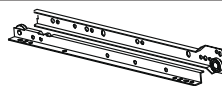
08

M



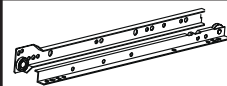
08

O

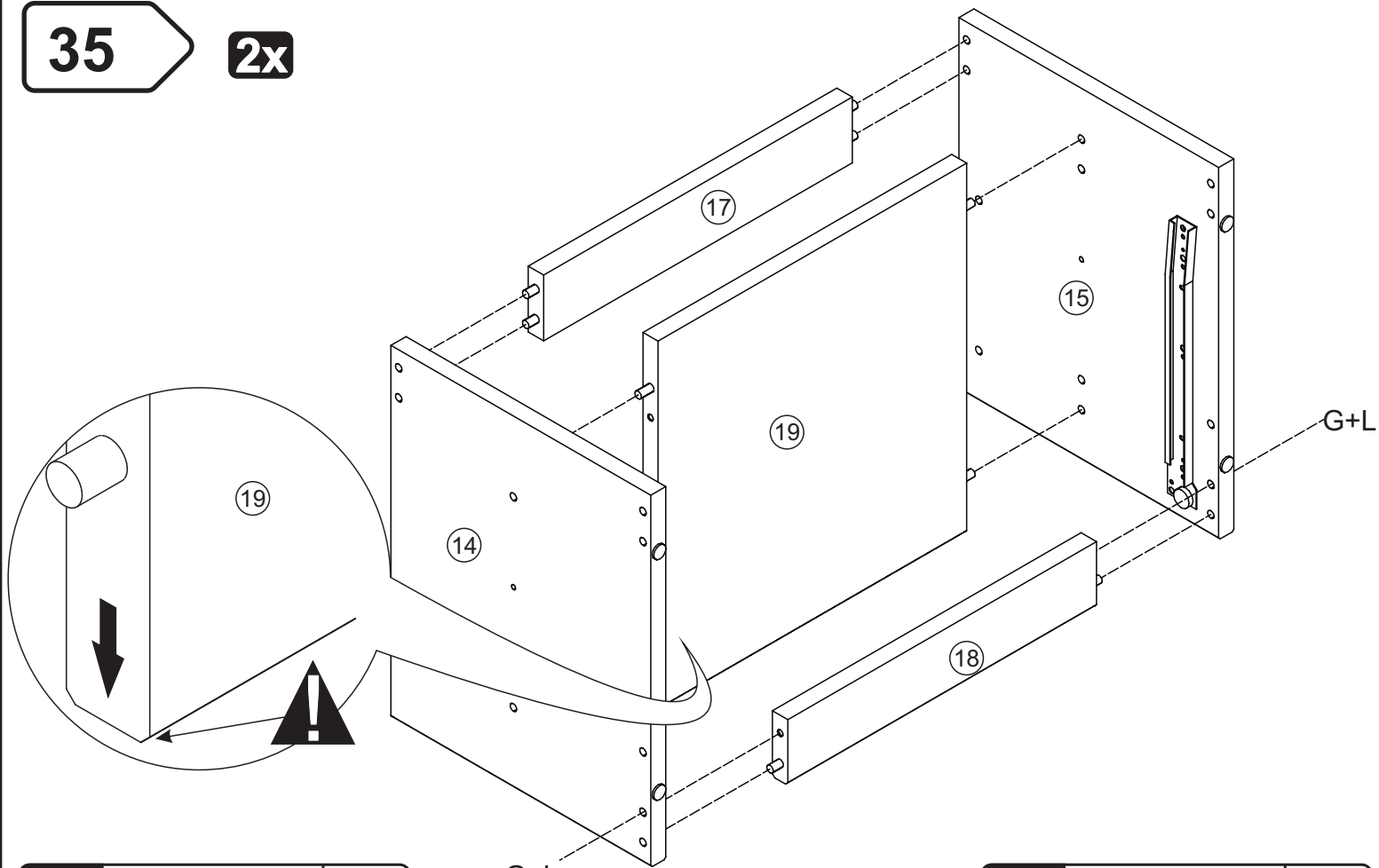
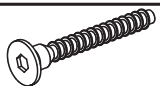


02

P



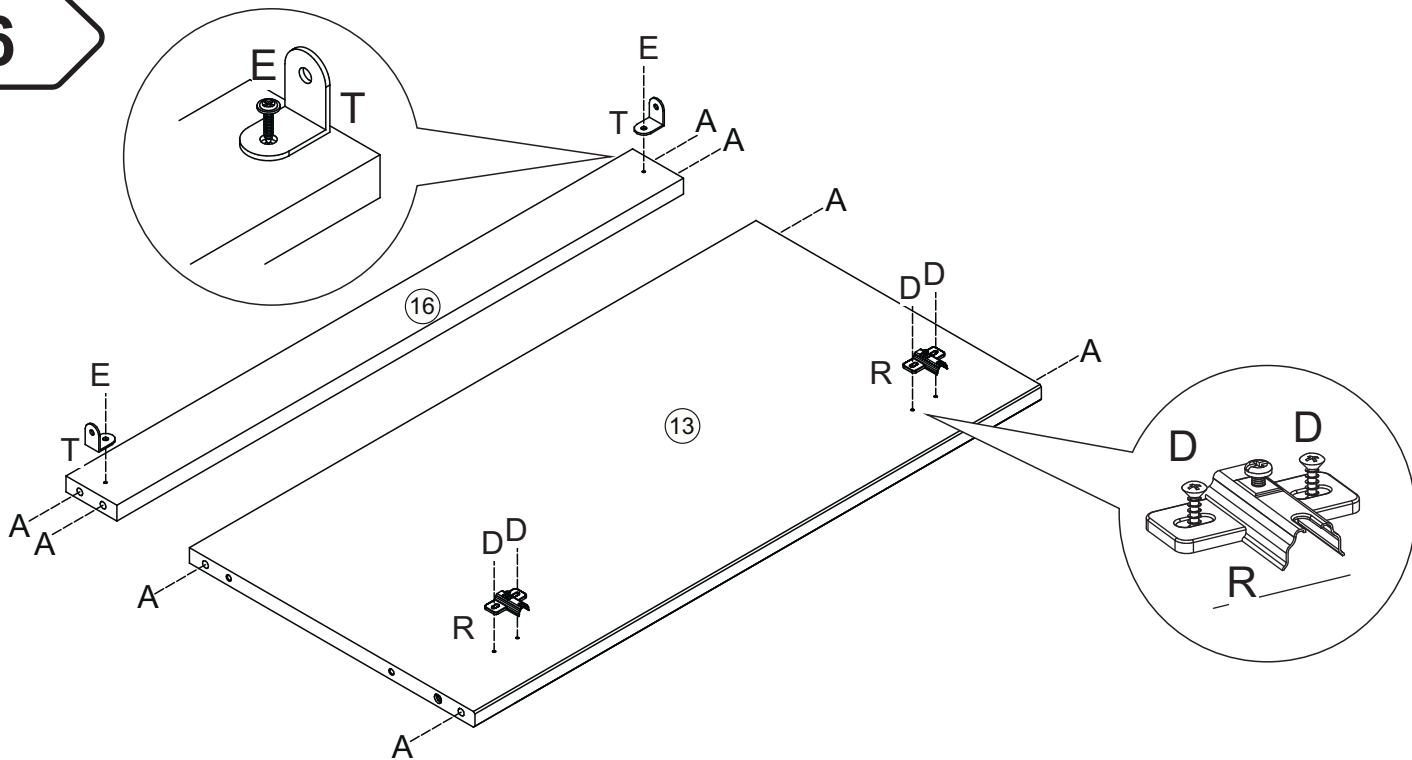
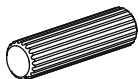
02

35**2x****G**

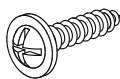
04

L

01

36**A**

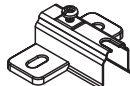
08

E

02

D

04

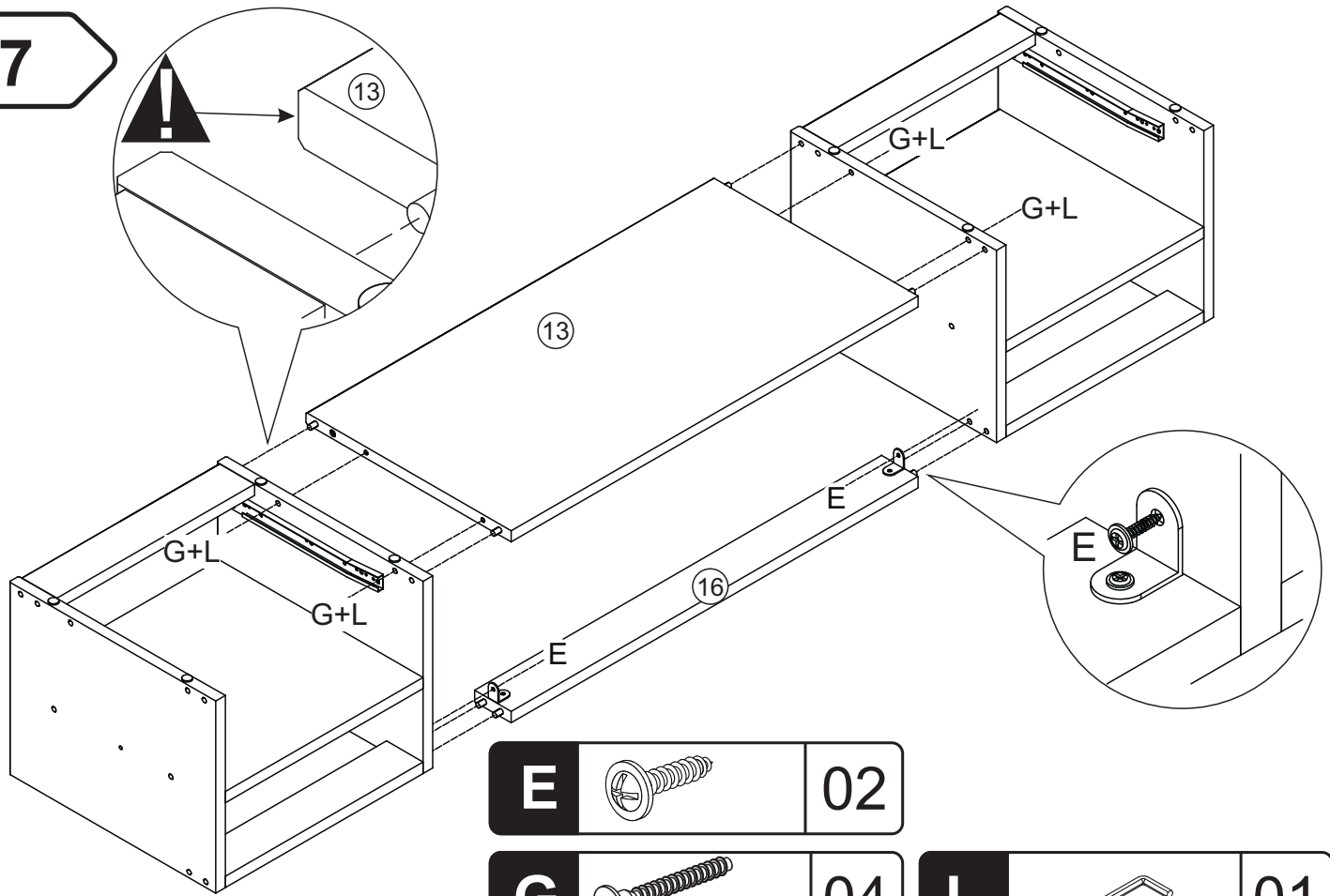
R

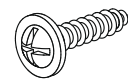
02

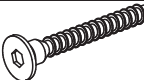
T


02

37

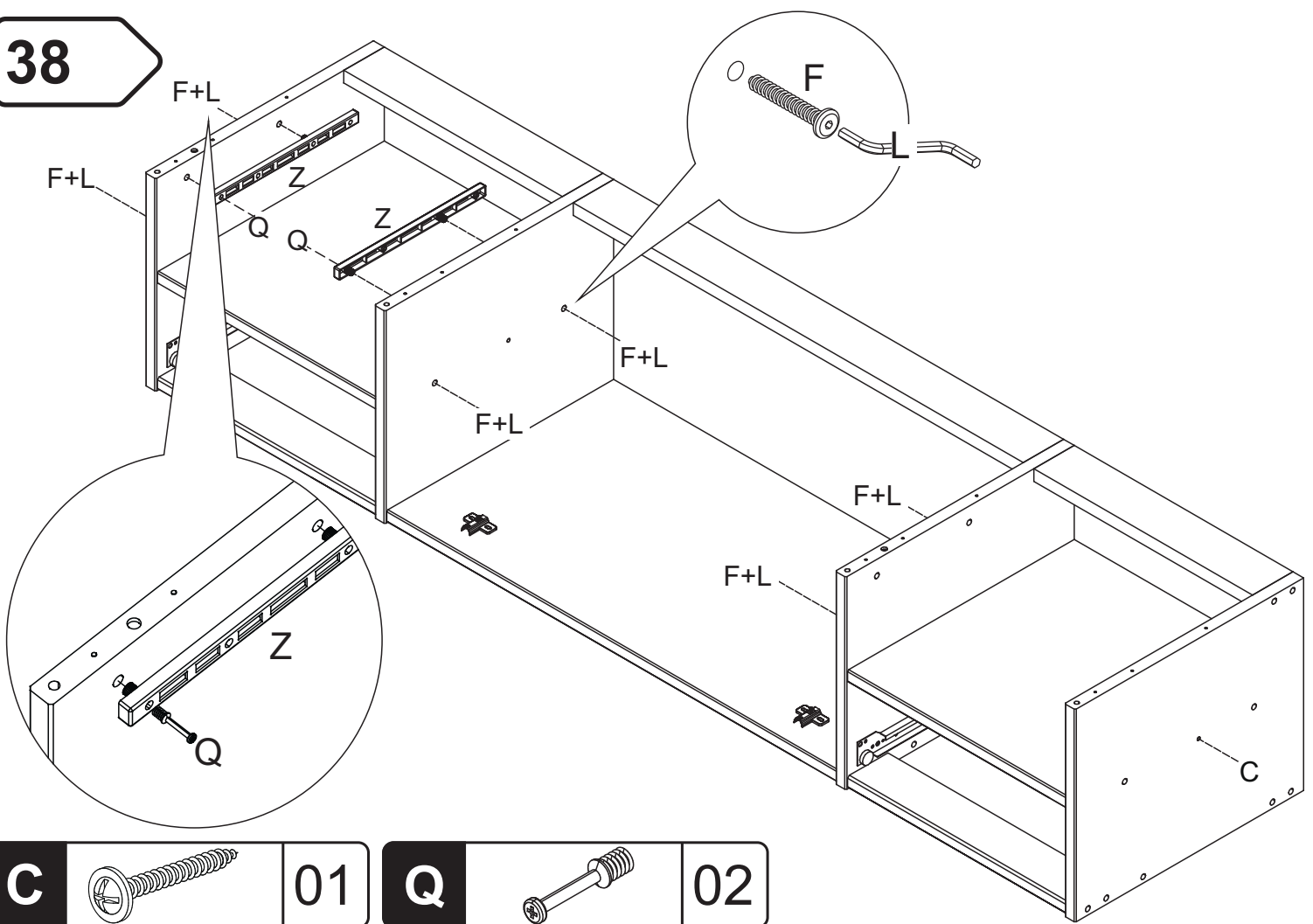


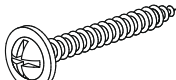
E		02
----------	---	----

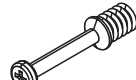
G		04
----------	--	----

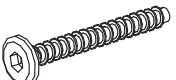
L		01
----------	---	----


38




C		01
----------	---	----

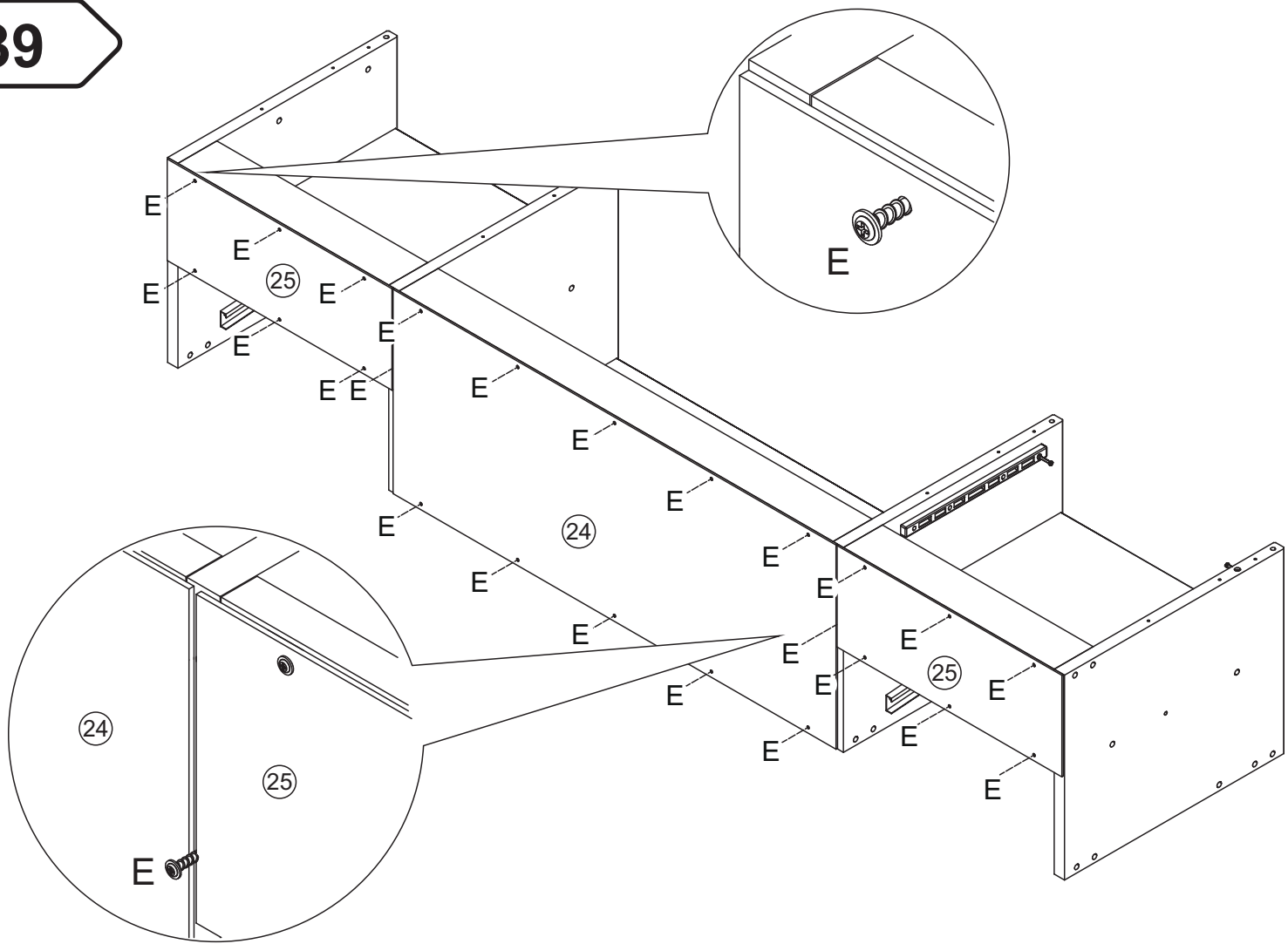
Q		02
----------	---	----

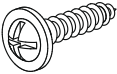
F		06
----------	---	----

L		01
----------	---	----

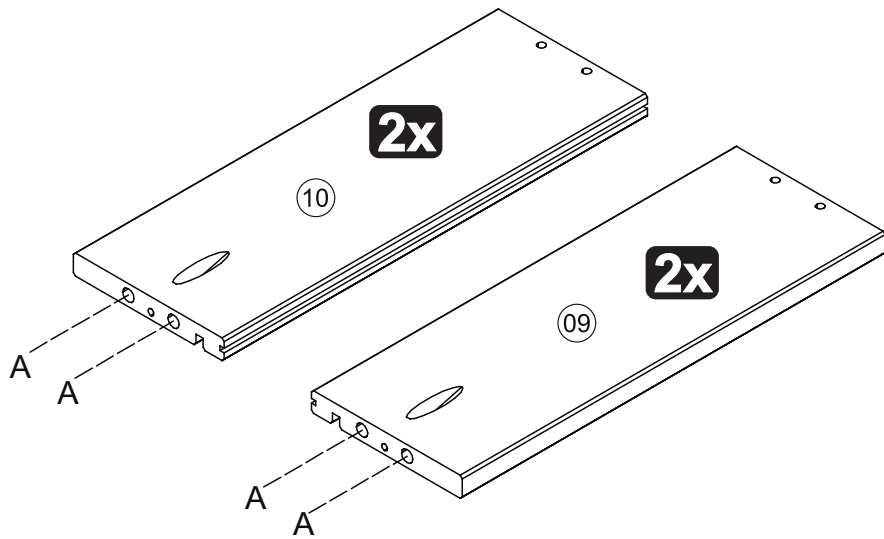
Z		02
----------	---	----


39

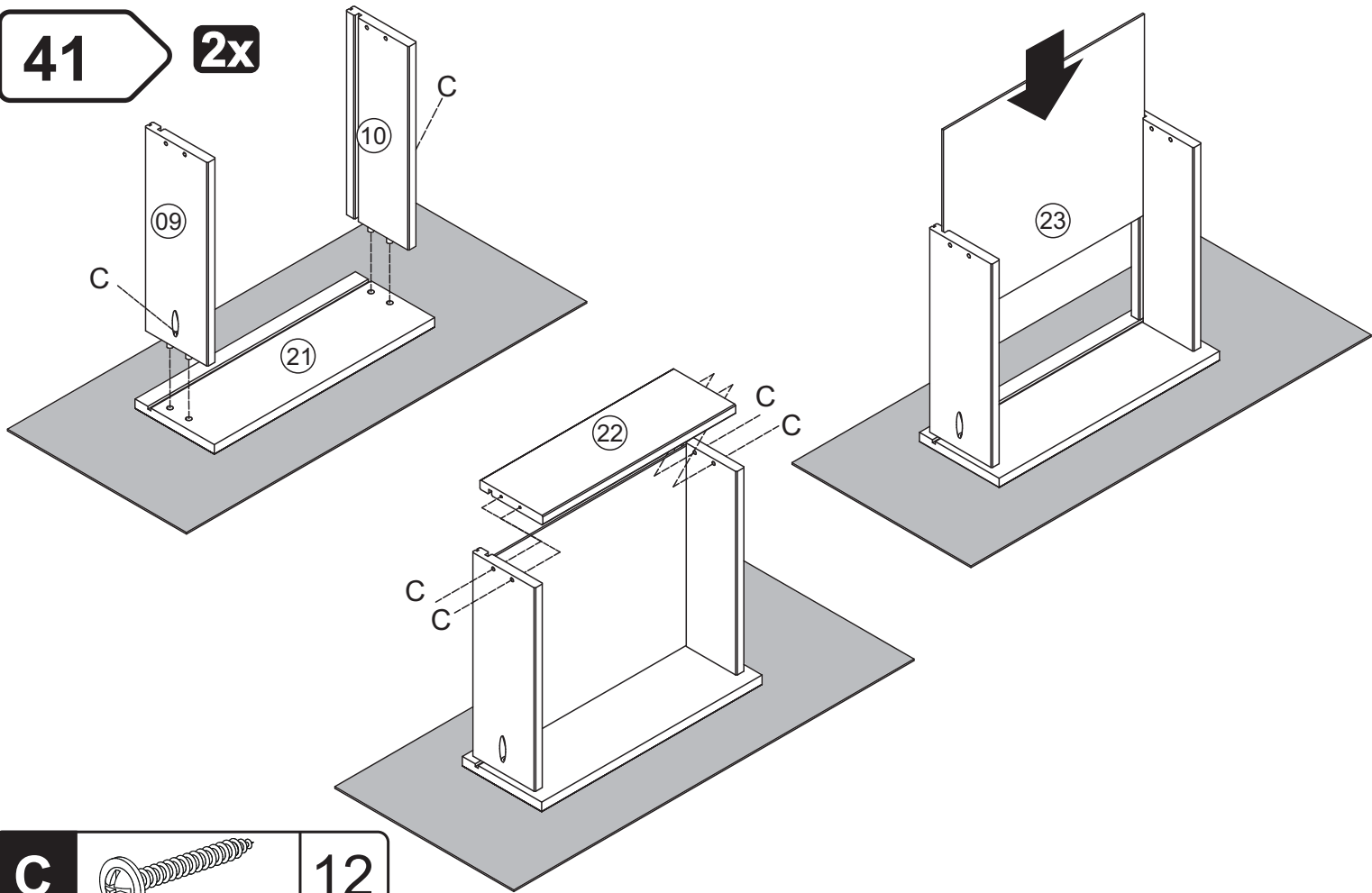
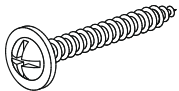
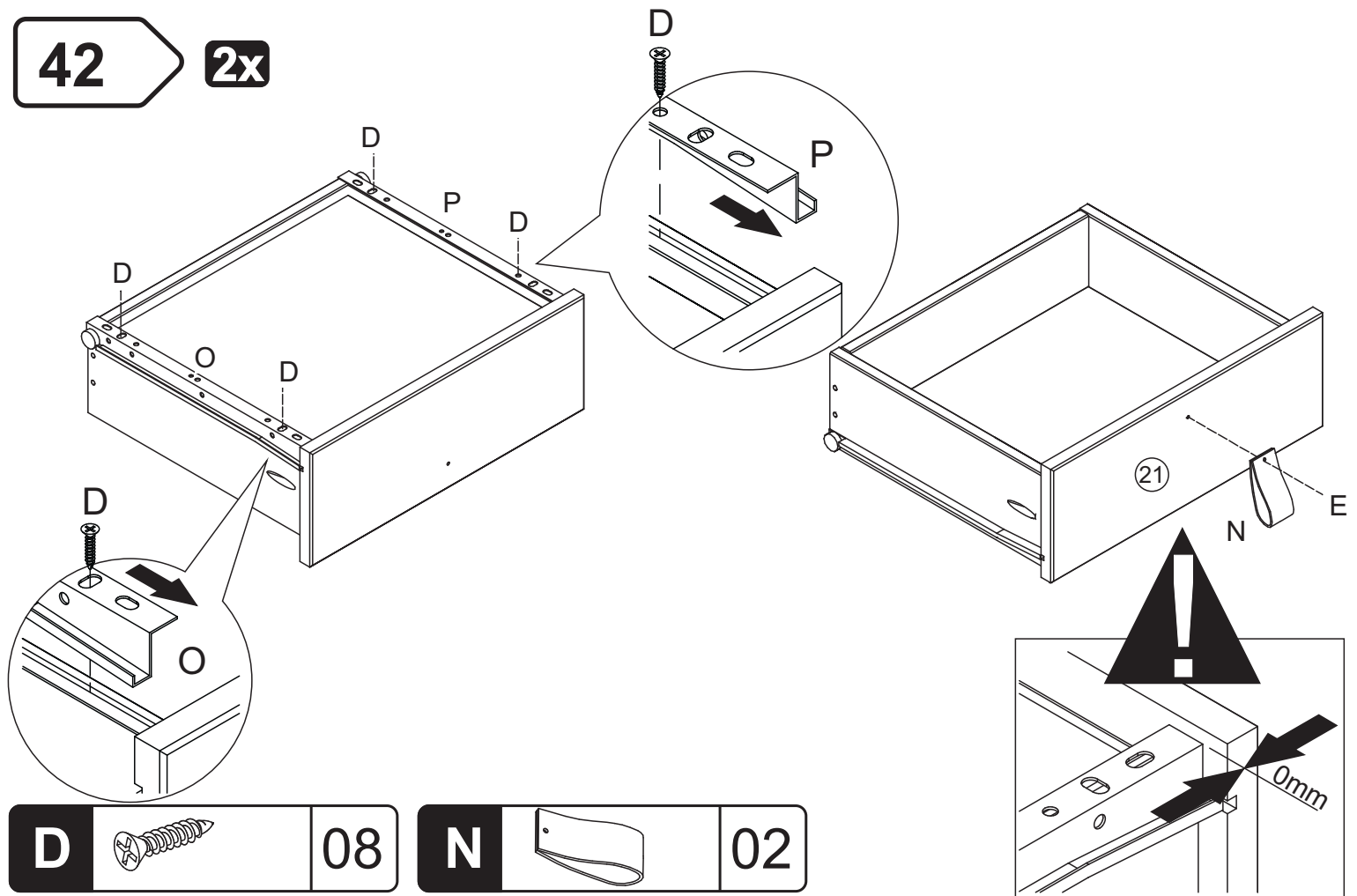
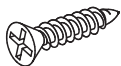
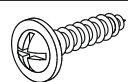
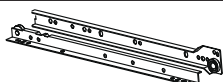
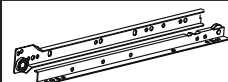


E		24
----------	---	-----------

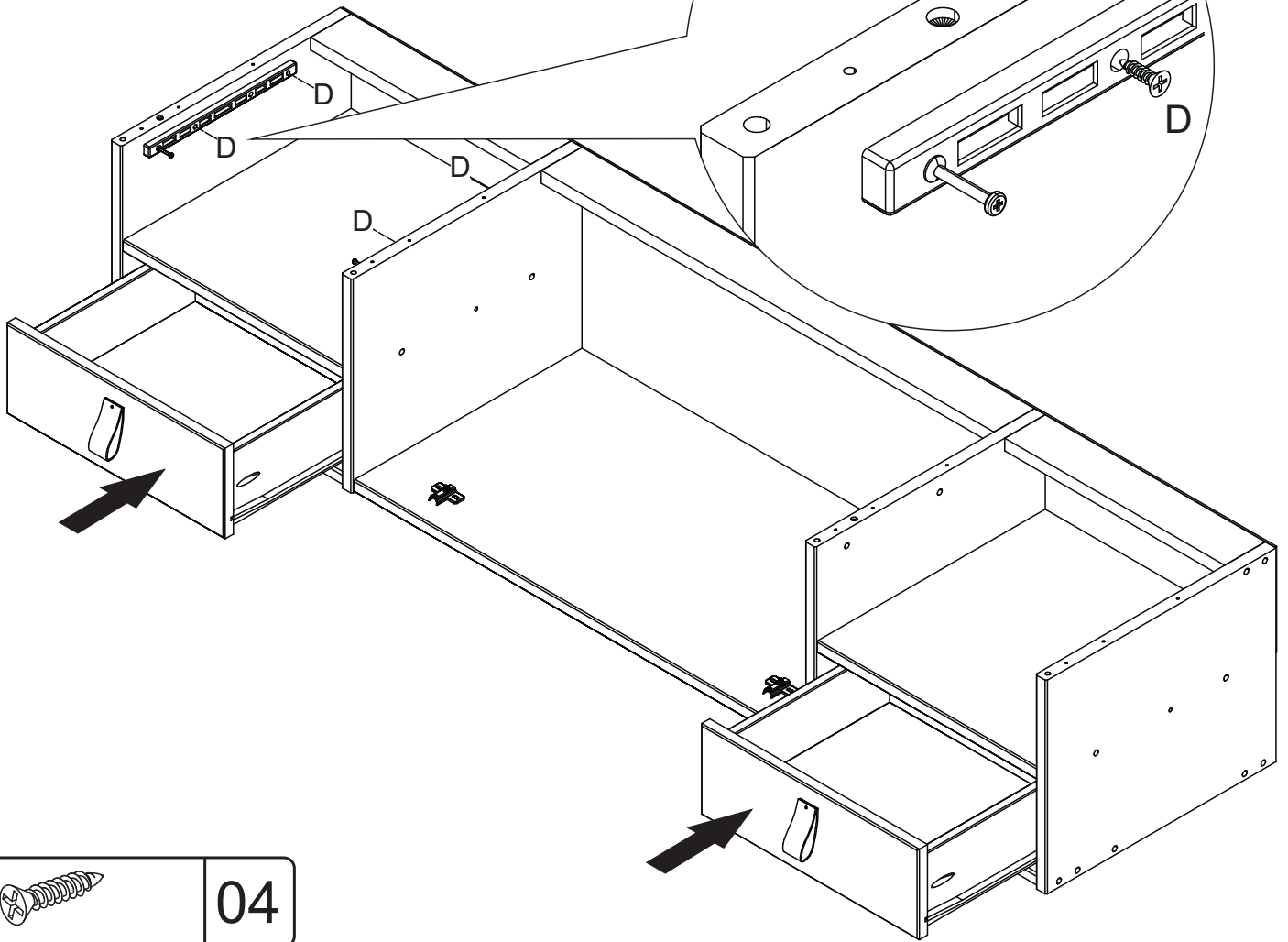
40



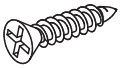
A		08
----------	---	-----------

41**2x****C****12****42****2x****D****08****N****02****E****02****O****02****P****02**

43

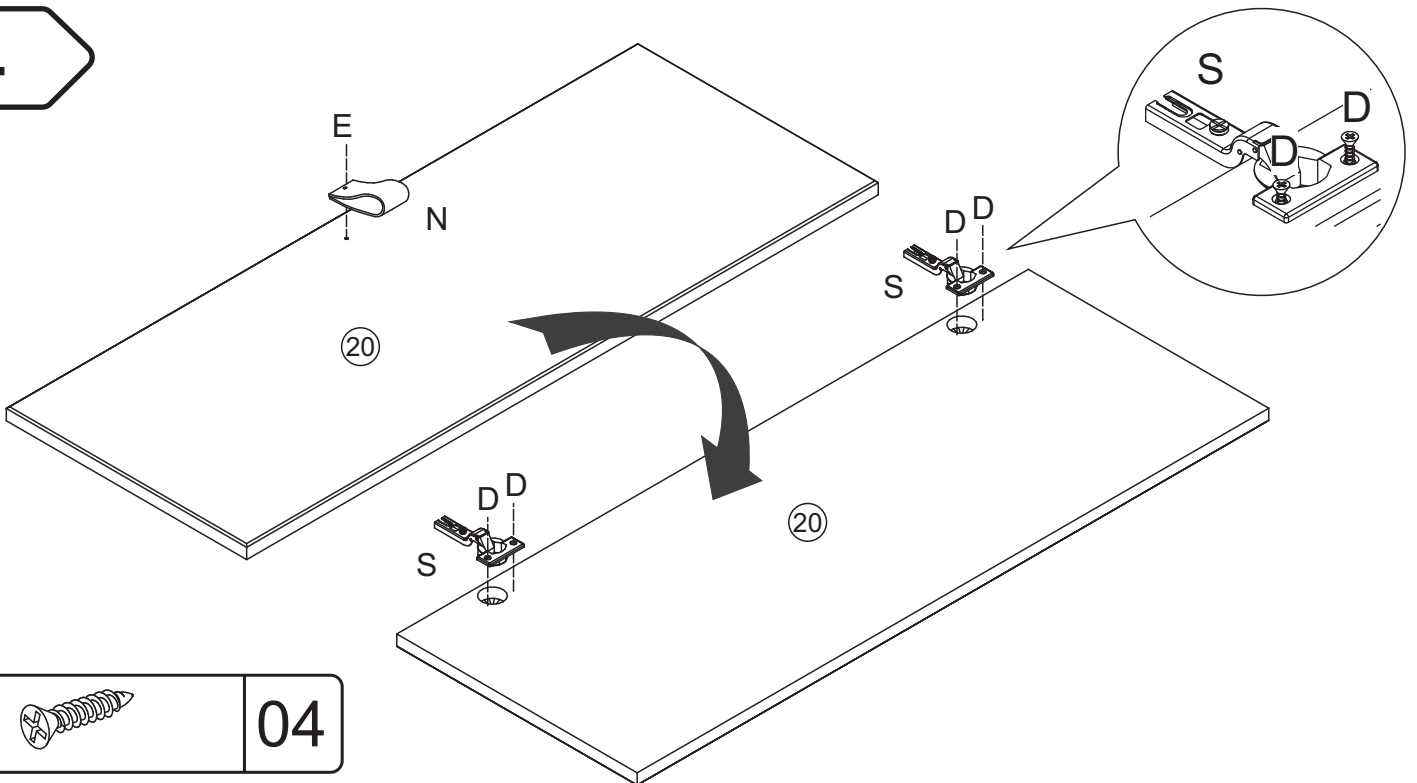


D

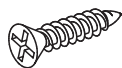


04

44

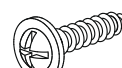


D



04

E



01

N

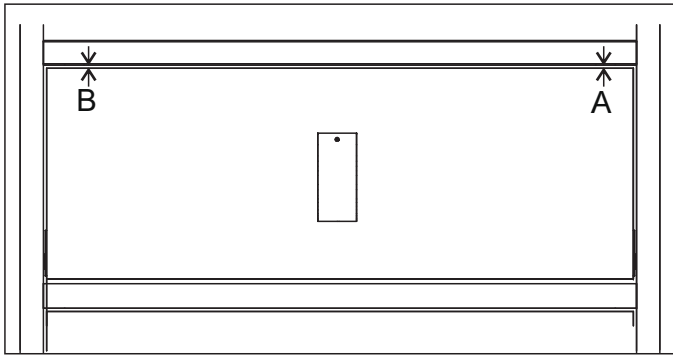


01

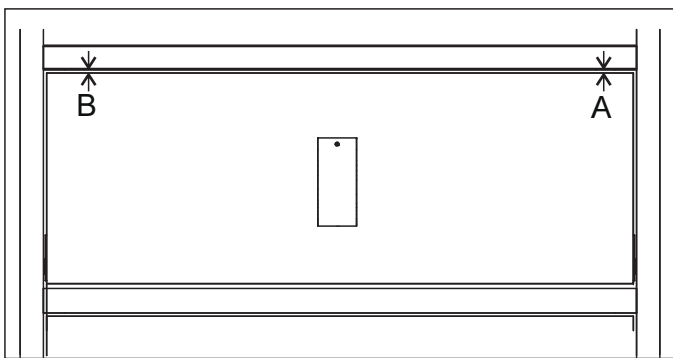
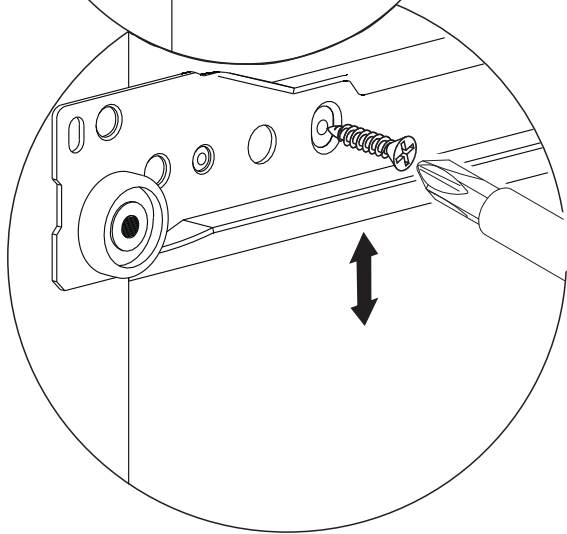
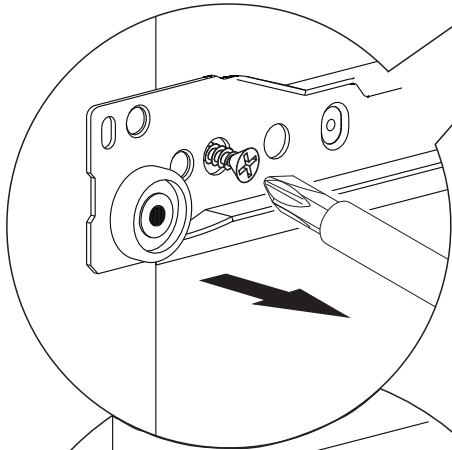
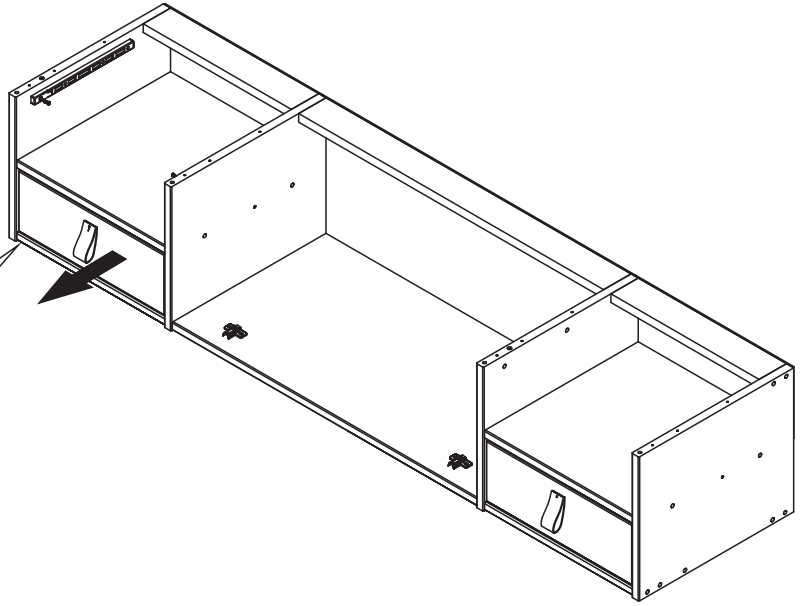
S



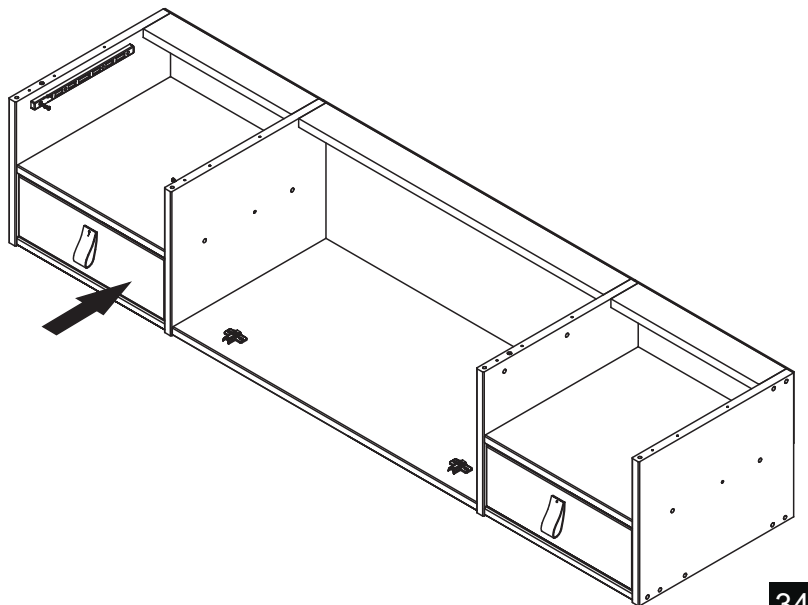
02

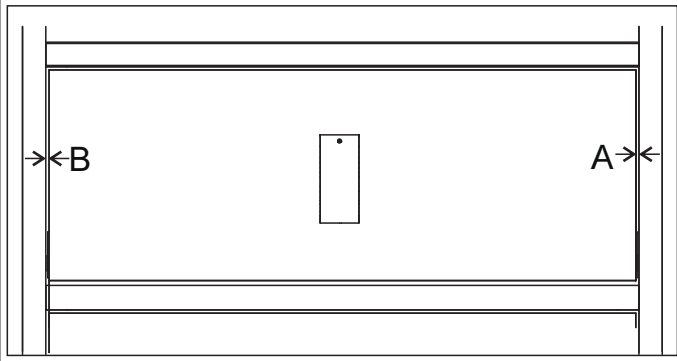


A≠B

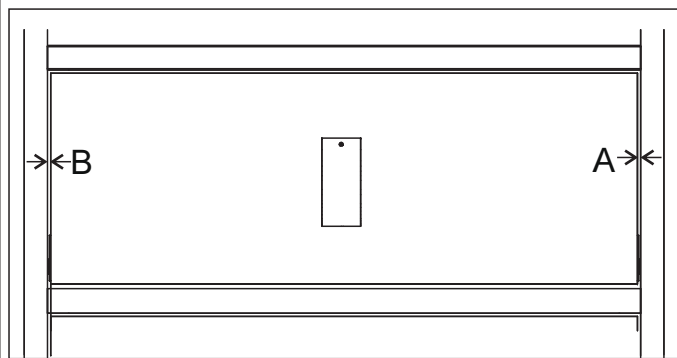
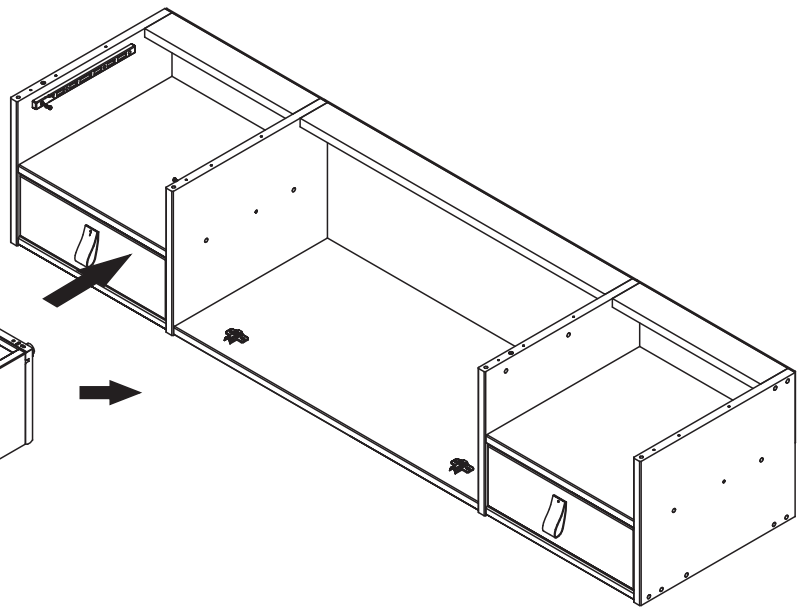
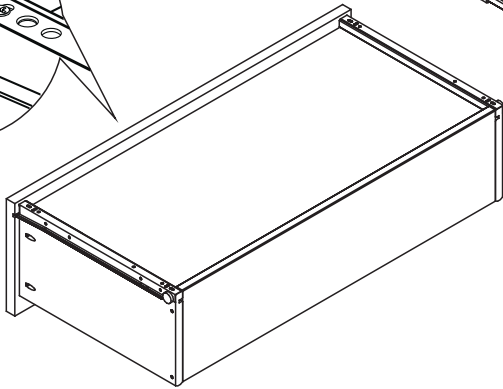
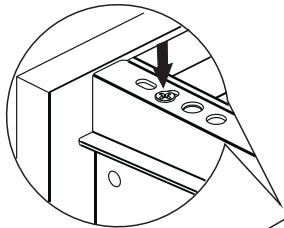
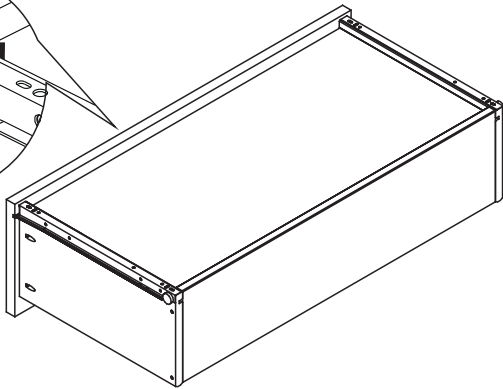
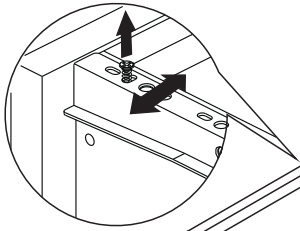
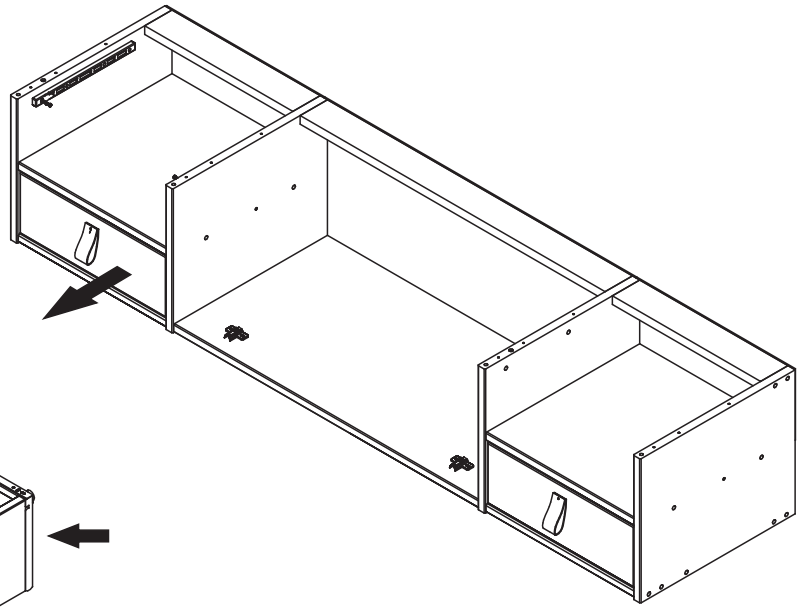


A=B

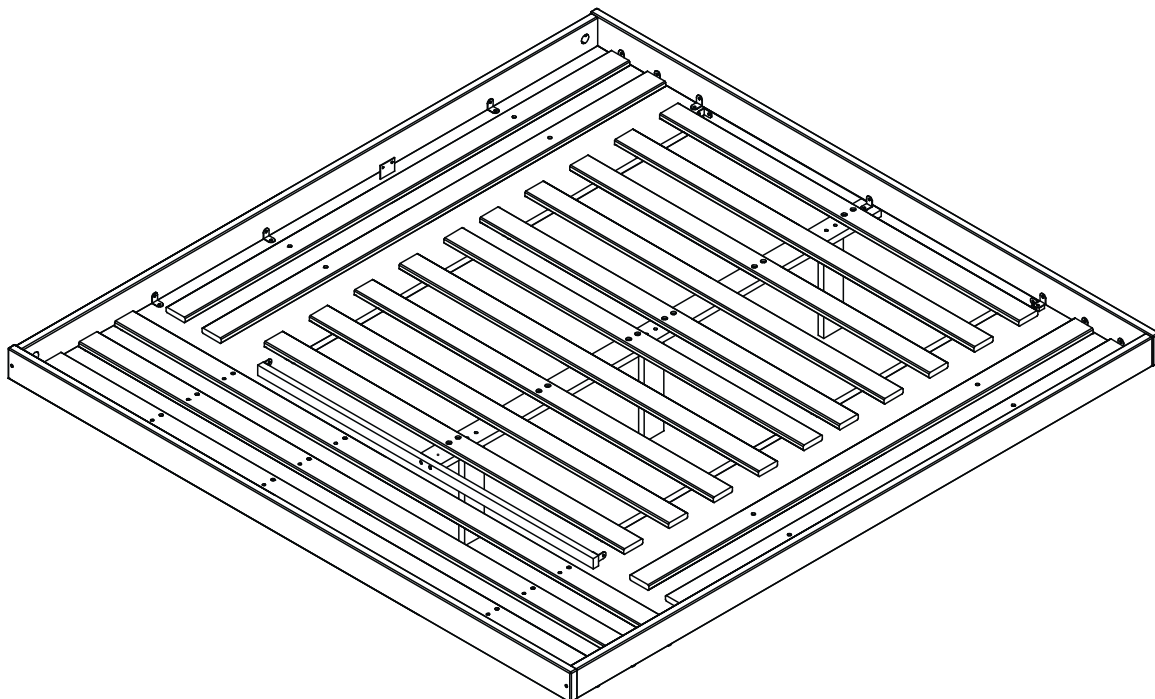




A≠B



A=B

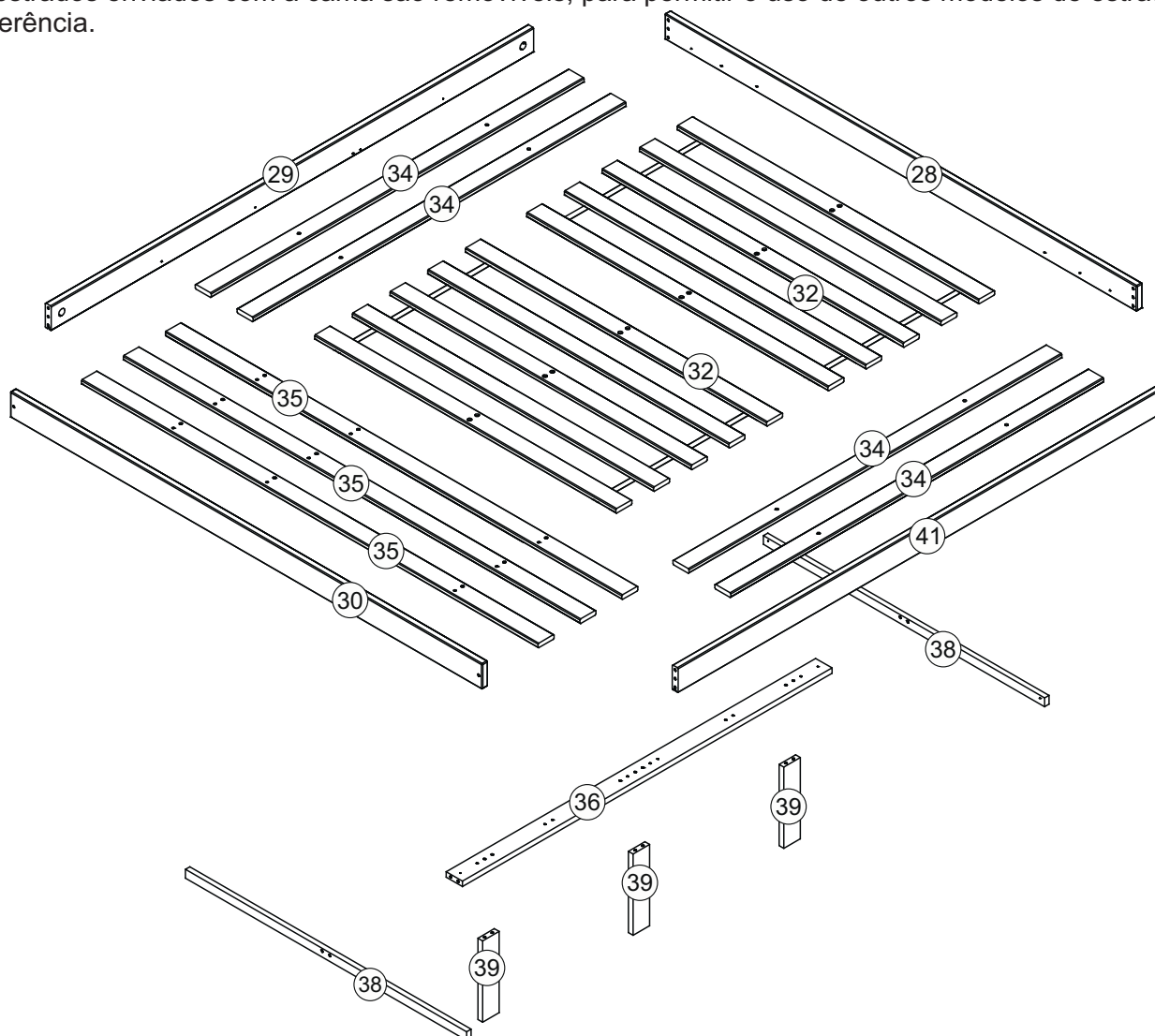


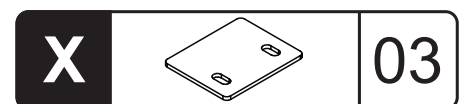
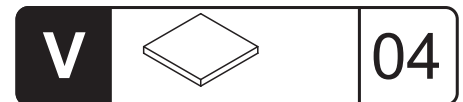
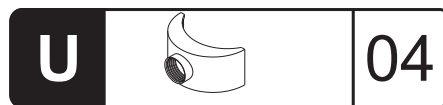
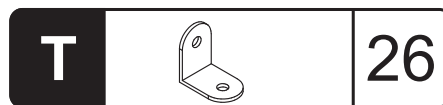
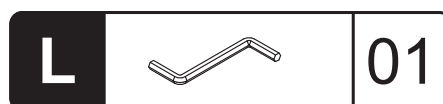
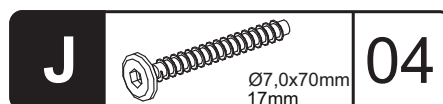
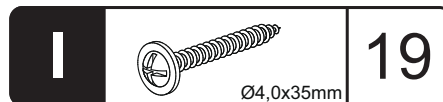
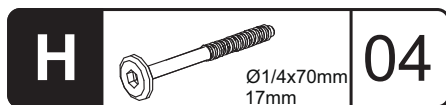
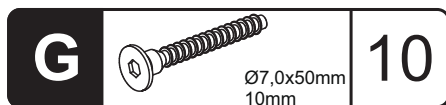
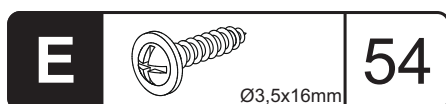
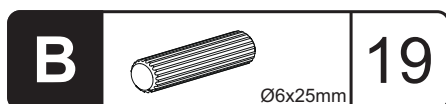
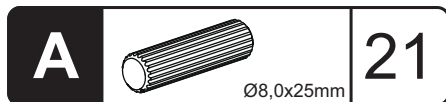
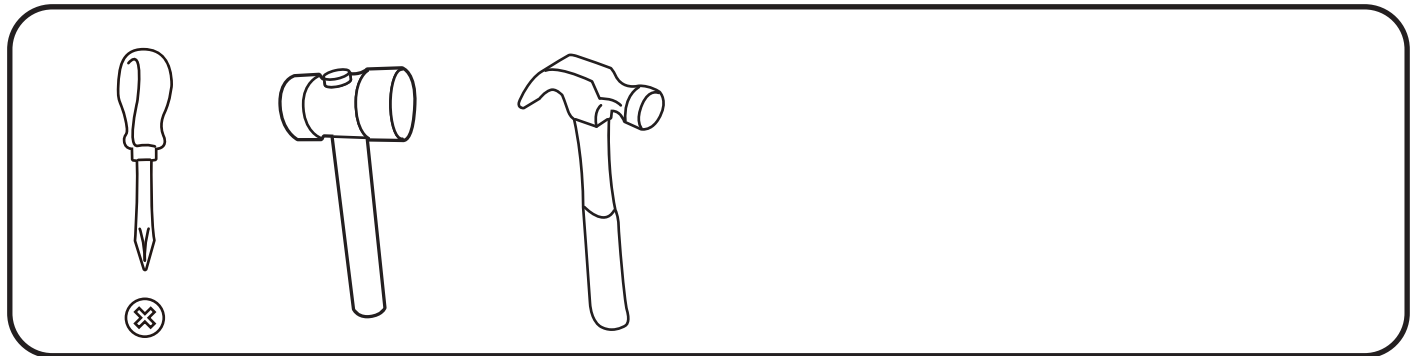
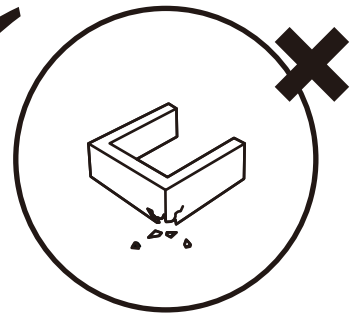
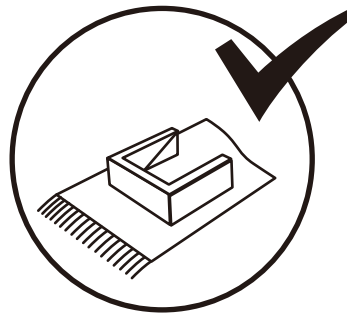
The slatted frames supplied with the Bali bed are removable, in order to enable that other slatted frames types can be used.

Die Lattenroste die mit dem Bali-Bett geliefert sind, sind entfernbar, damit andere Lattenroste-Modelle verwendet werden können.

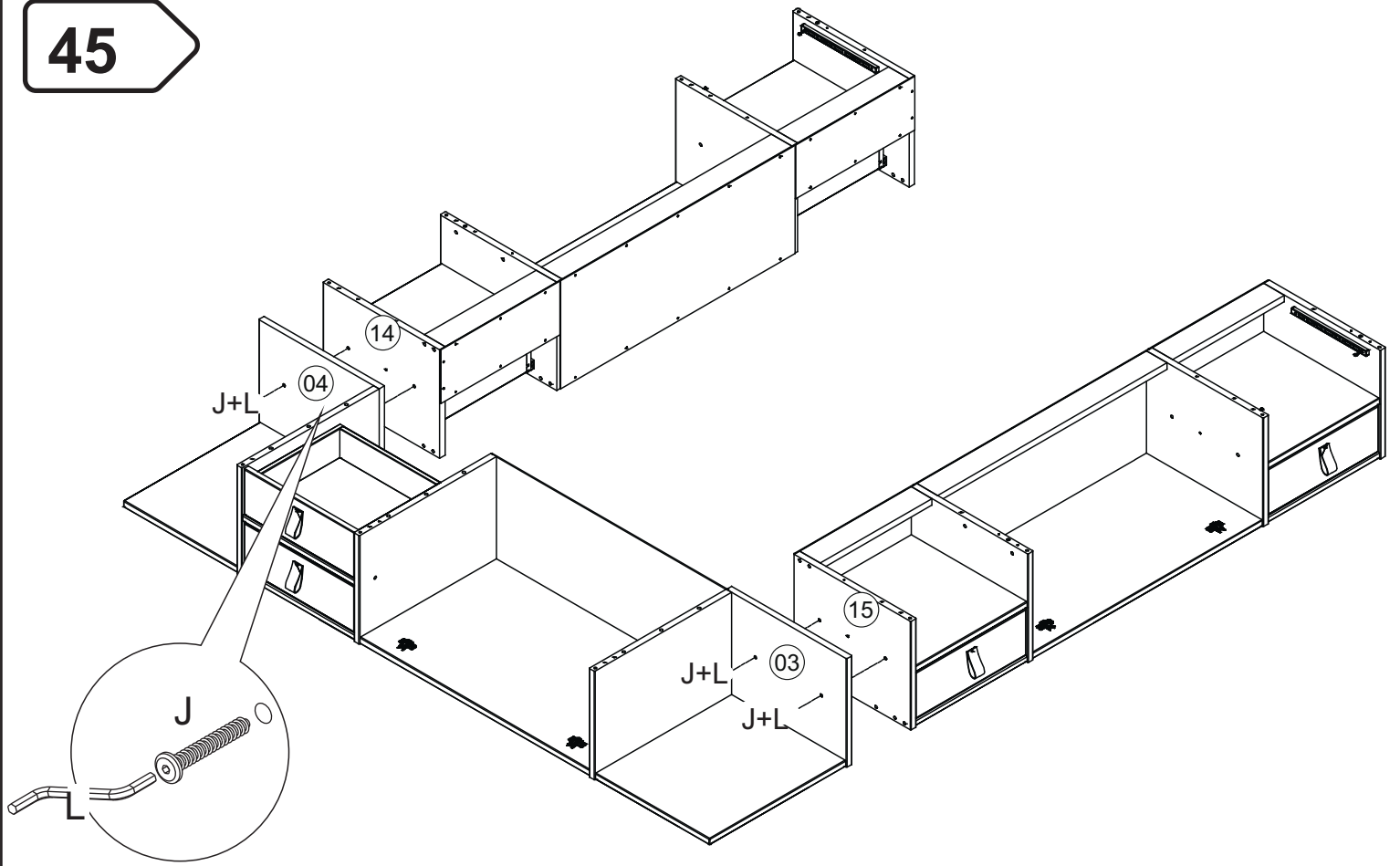
Les sommiers à lattes fournis avec le lit Bali sont amovibles, afin de permettre l'utilisation d'autres types de sommiers à lattes.

Os estrados enviados com a cama são removíveis, para permitir o uso de outros modelos de estrado de preferência.





45



J



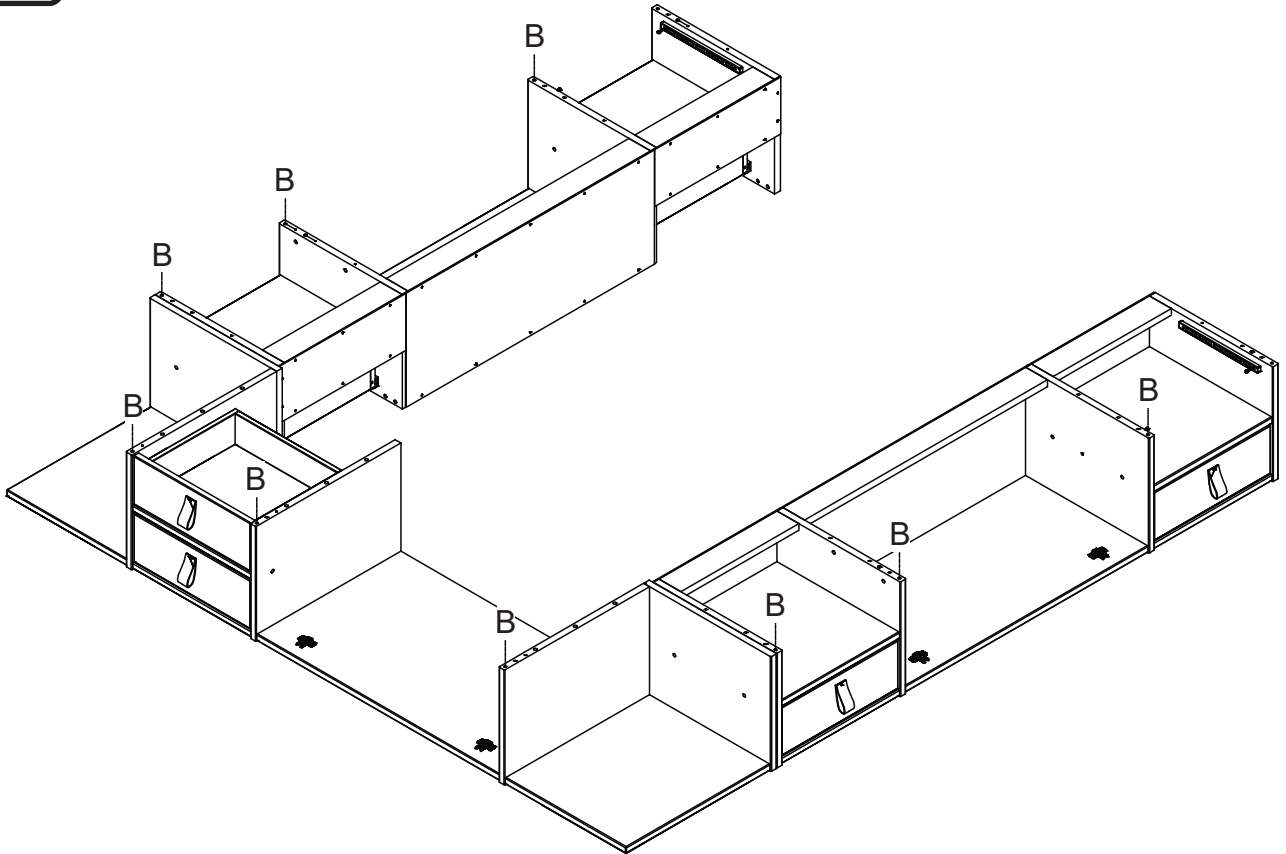
04

L



01

46

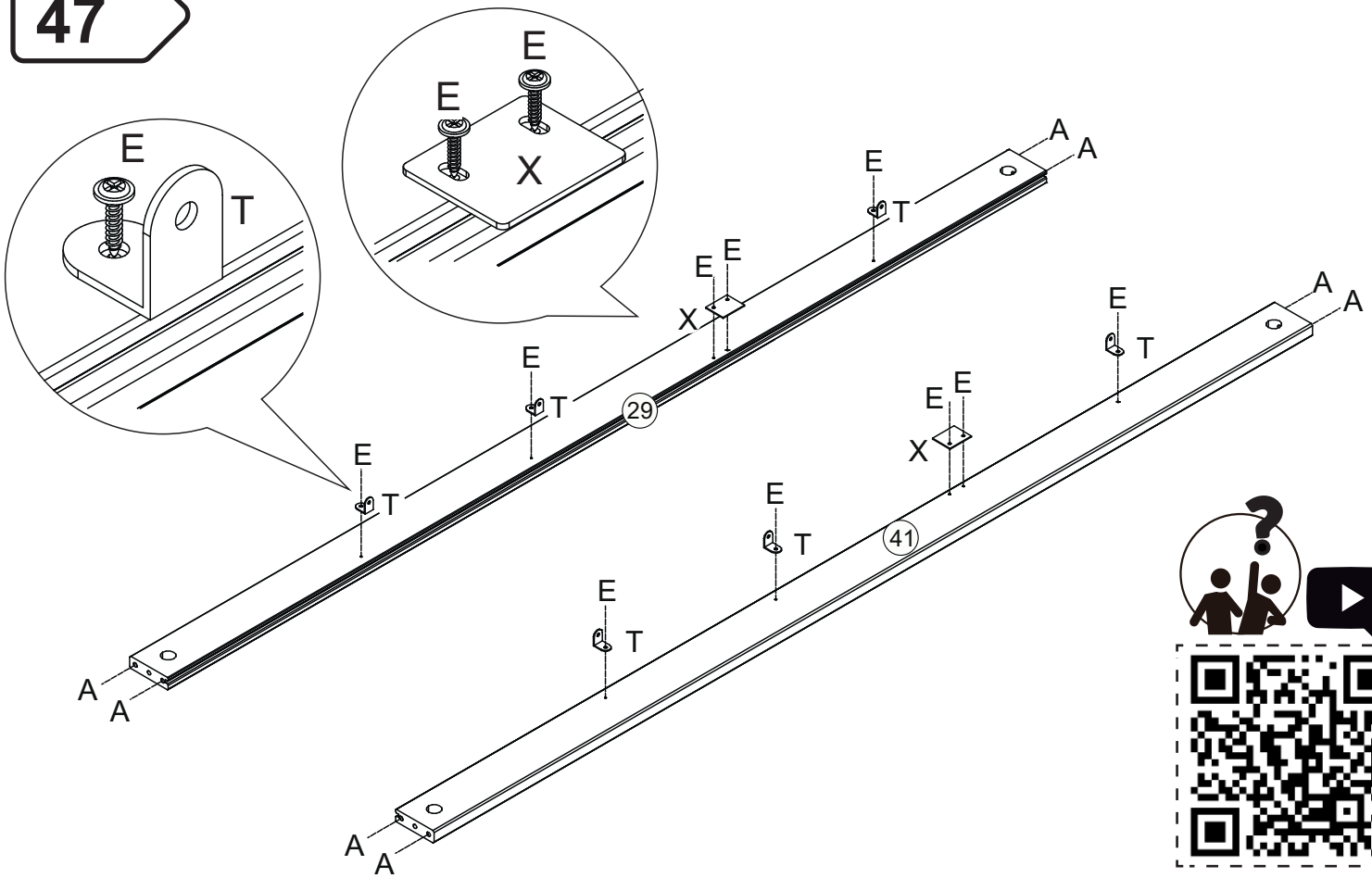



B

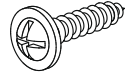


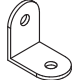
09

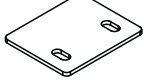
47



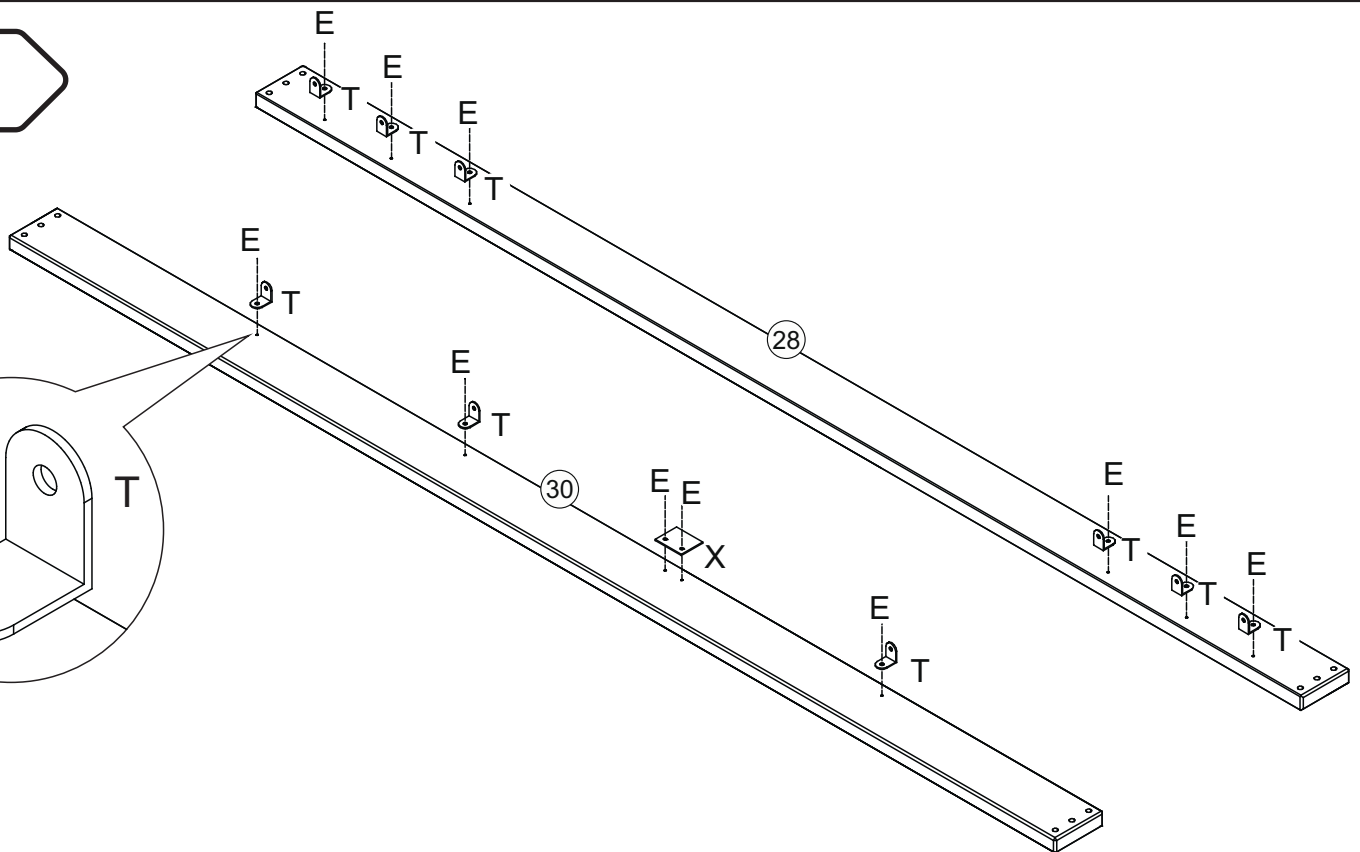
A		08
----------	---	----

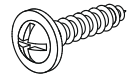
E		10
----------	---	----


T		06
----------	---	----

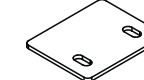
X		02
----------	---	----

48

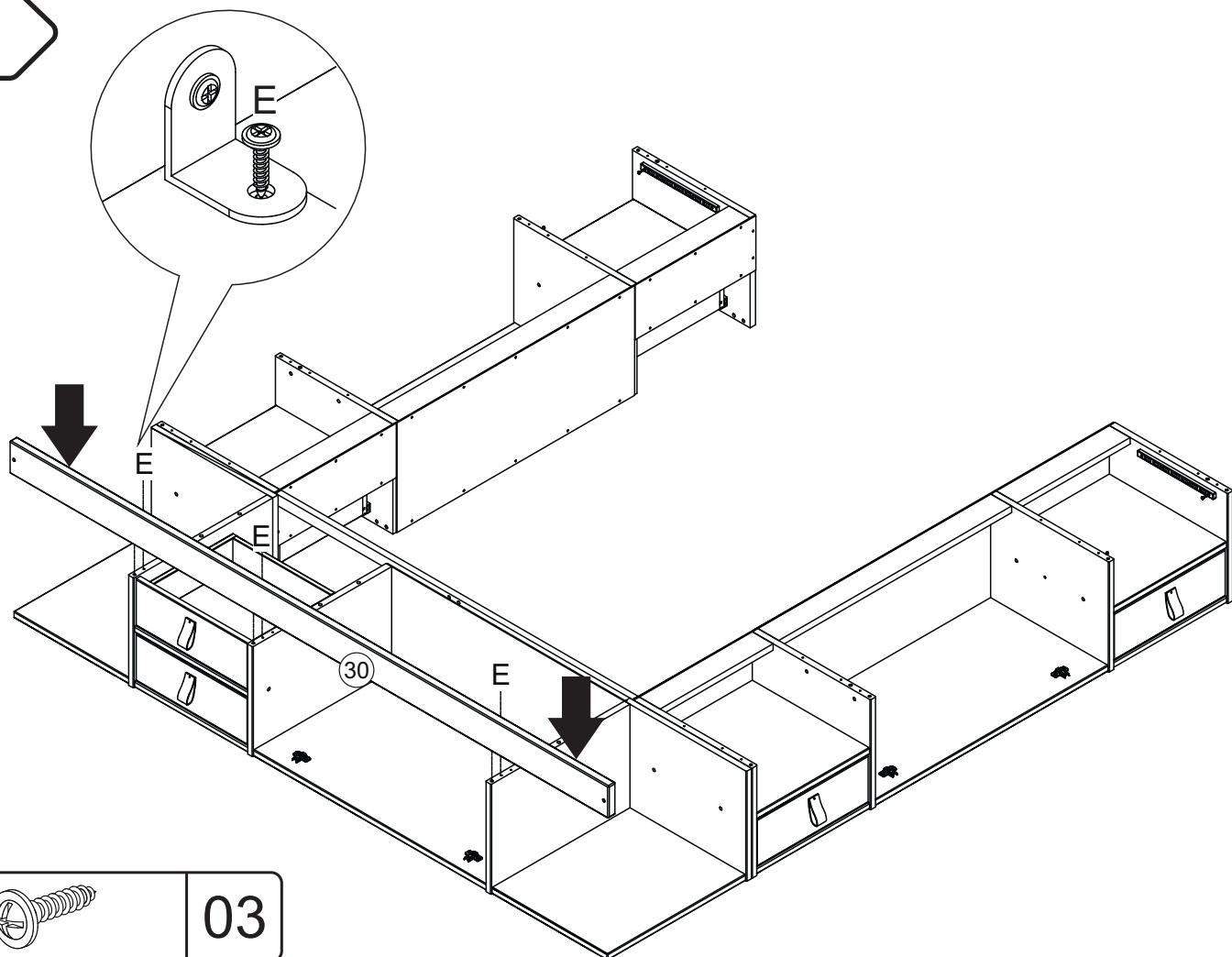


E		11
----------	---	----

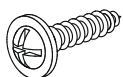
T		09
----------	---	----

X		01
----------	---	----

49

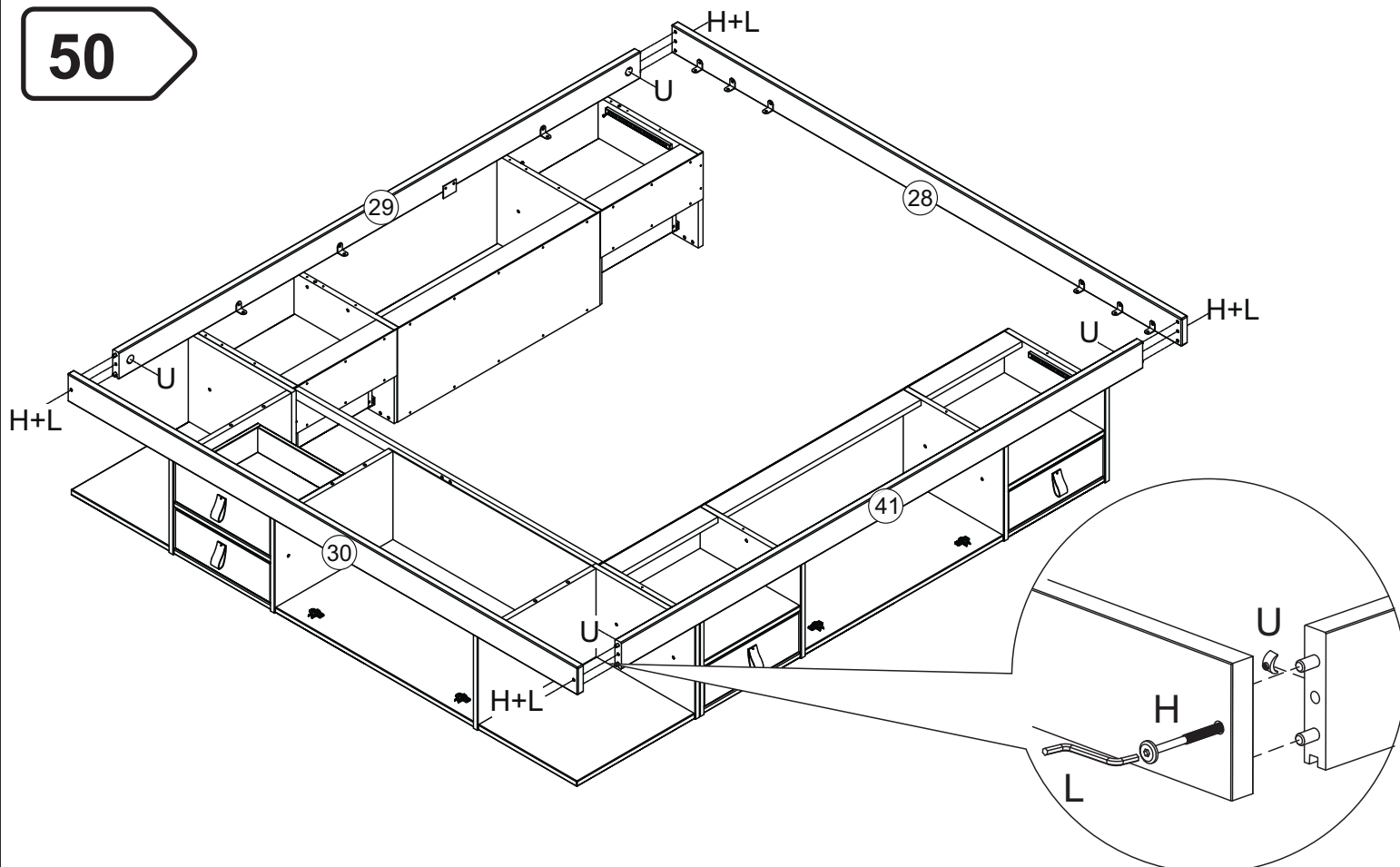


E

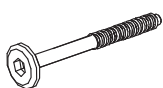


03

50



H



04

L



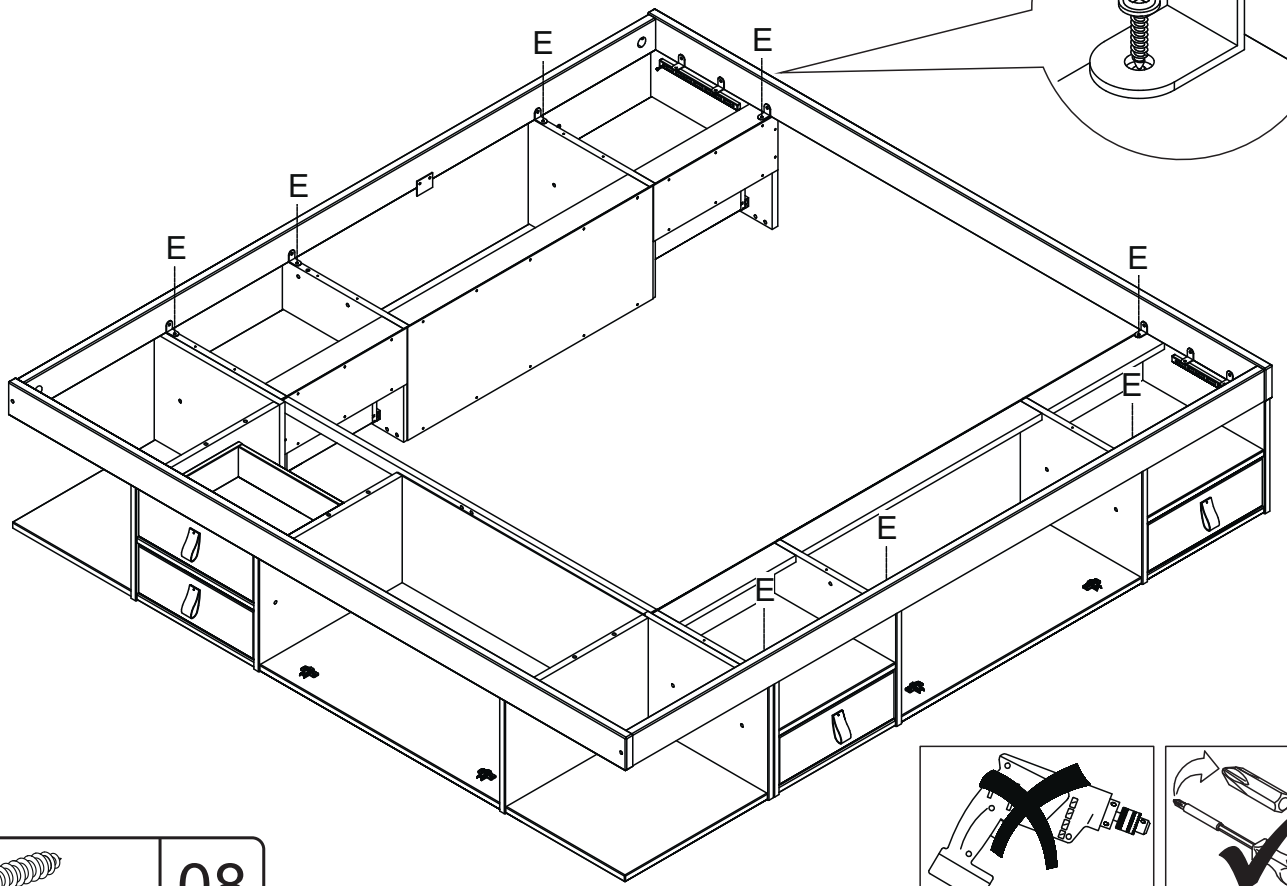
01

U

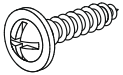


04

51

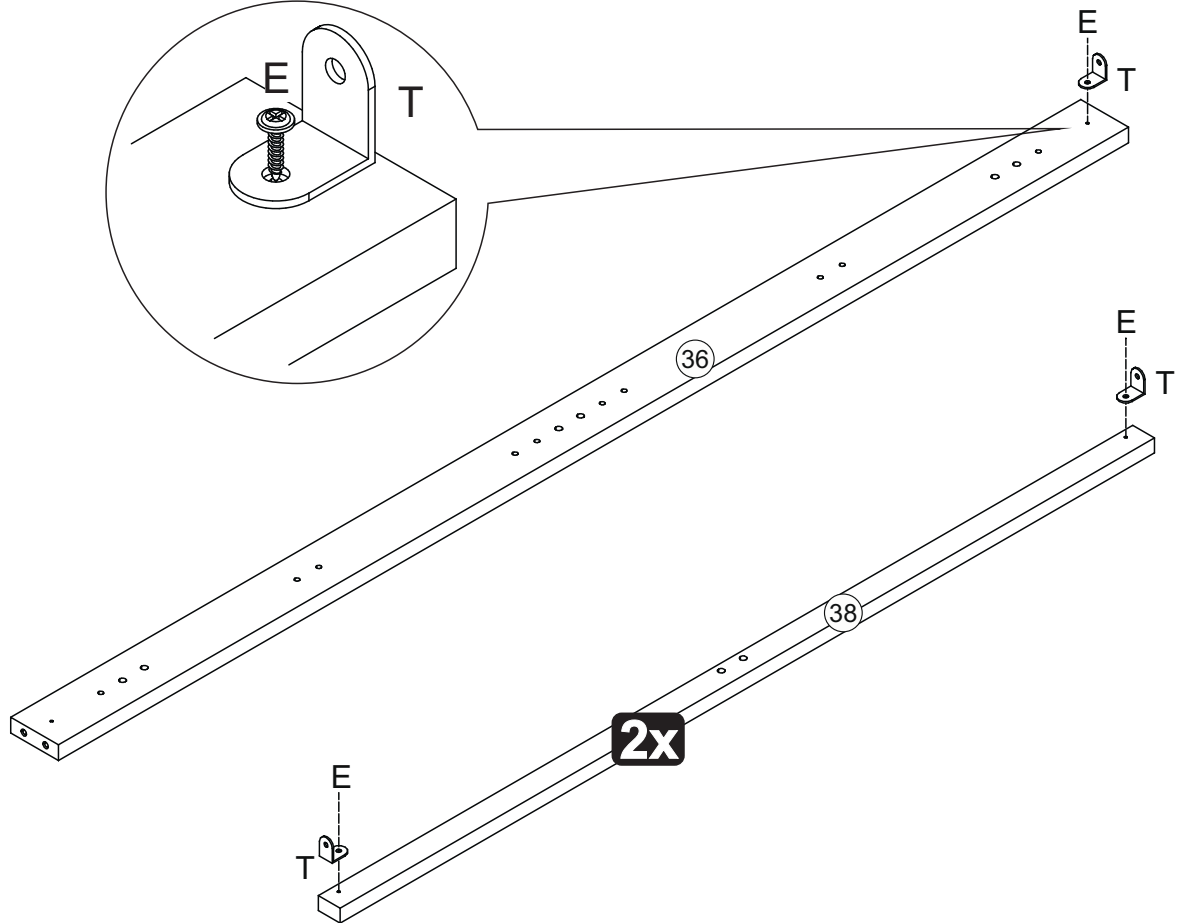


E

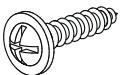


08

52



E



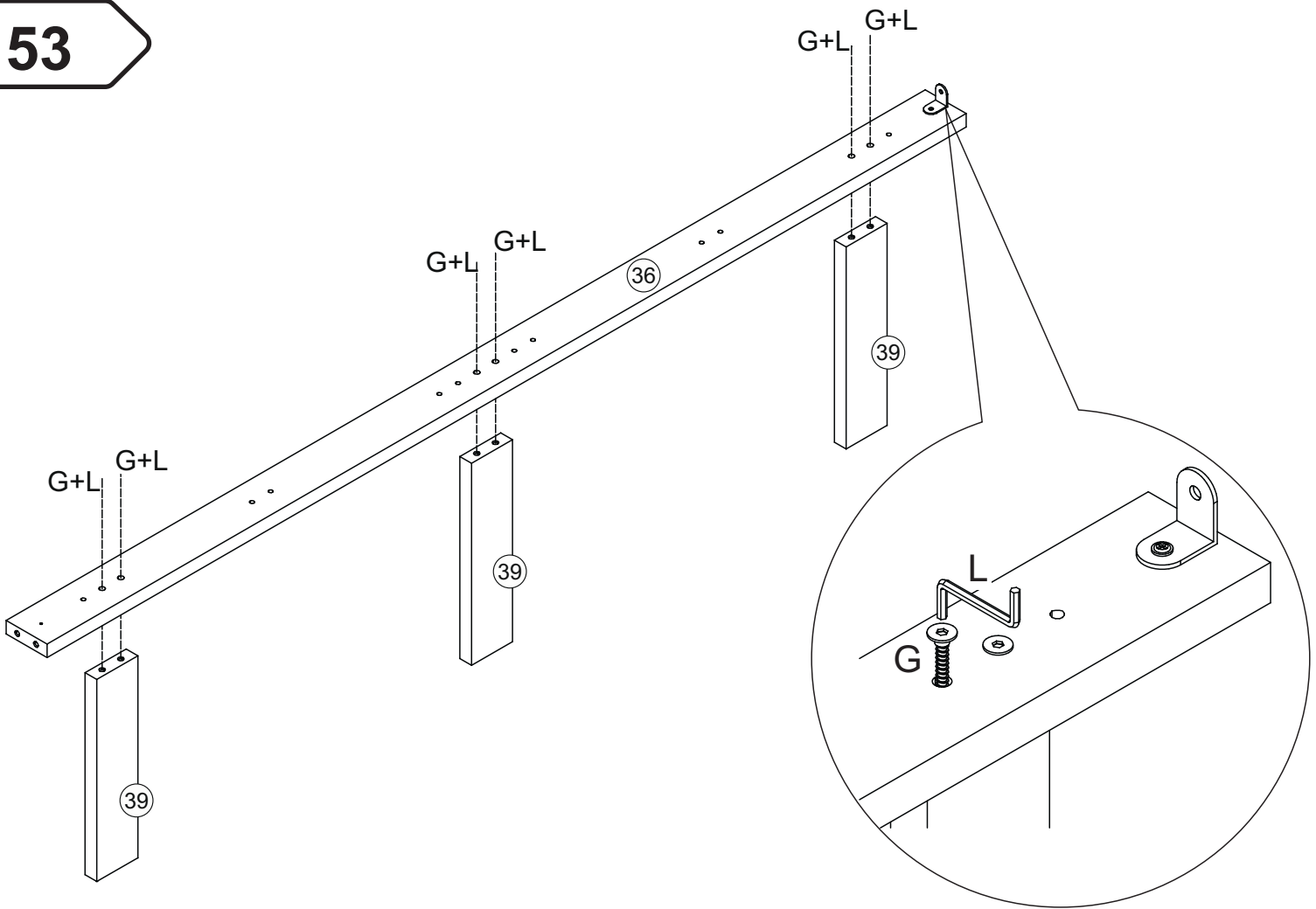
05

T



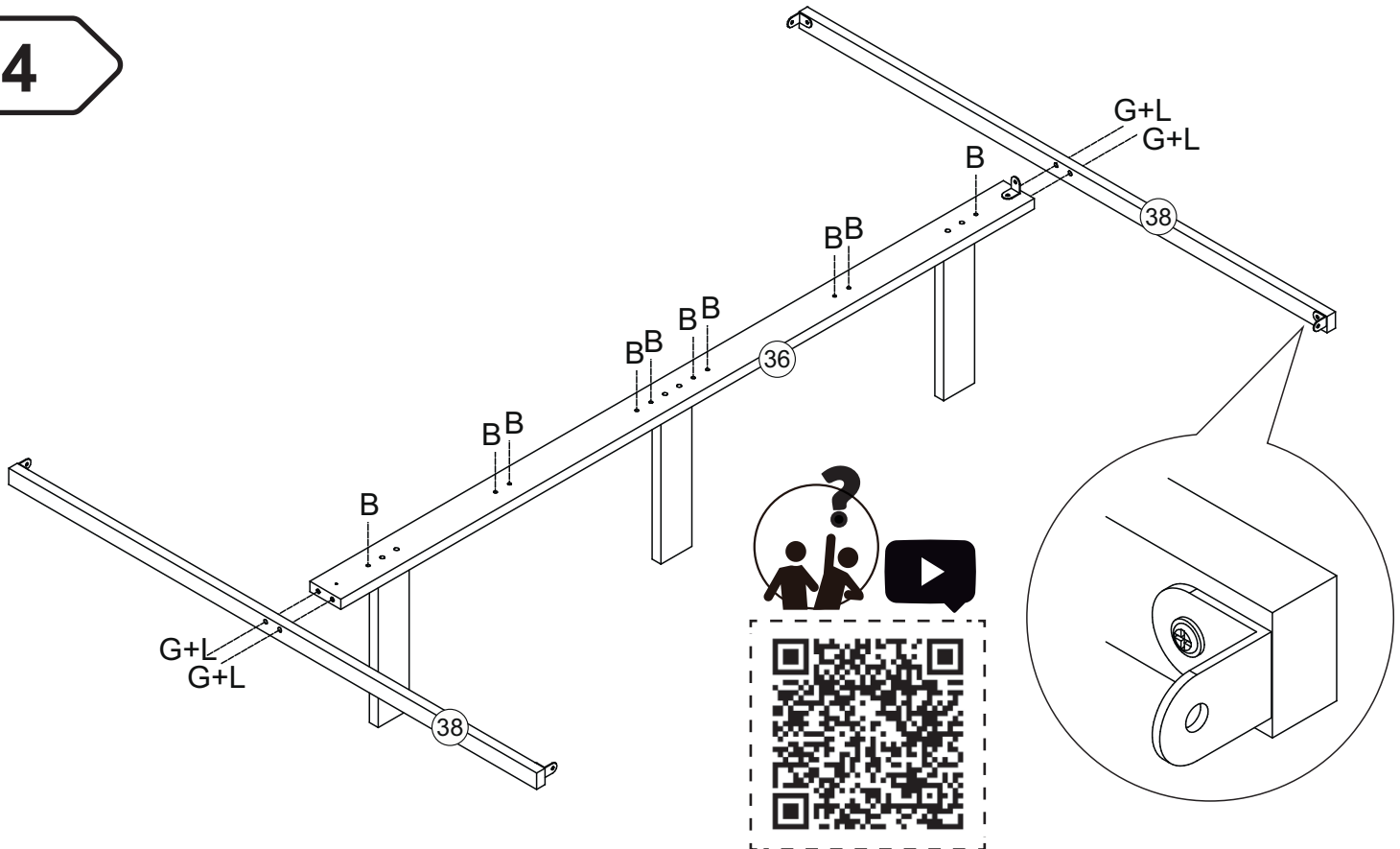
05


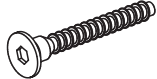

53



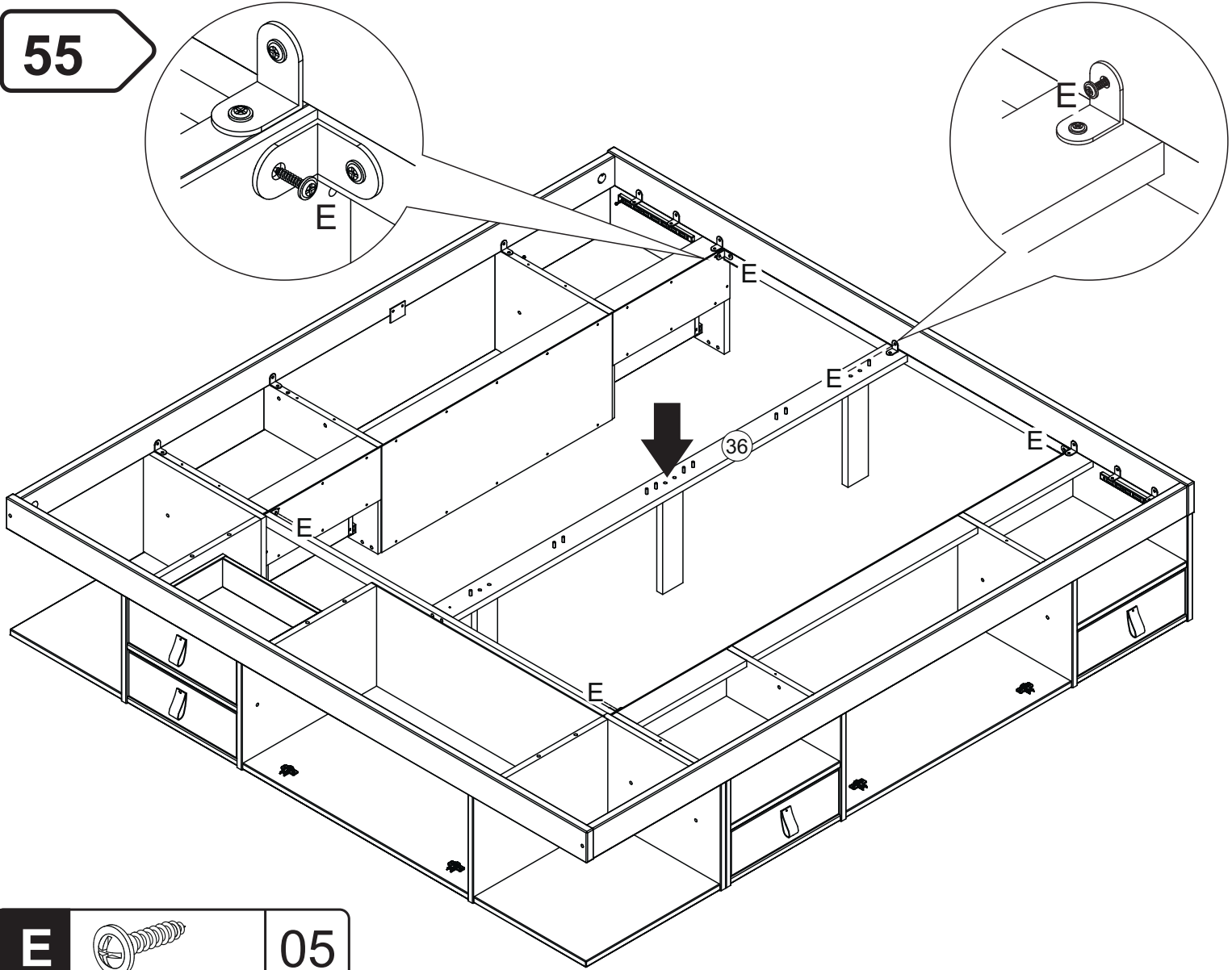
G		06	L		01
----------	---	----	----------	---	----

54

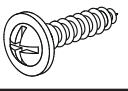


B		10	G		04	L		01
----------	---	----	----------	---	----	----------	---	----

55

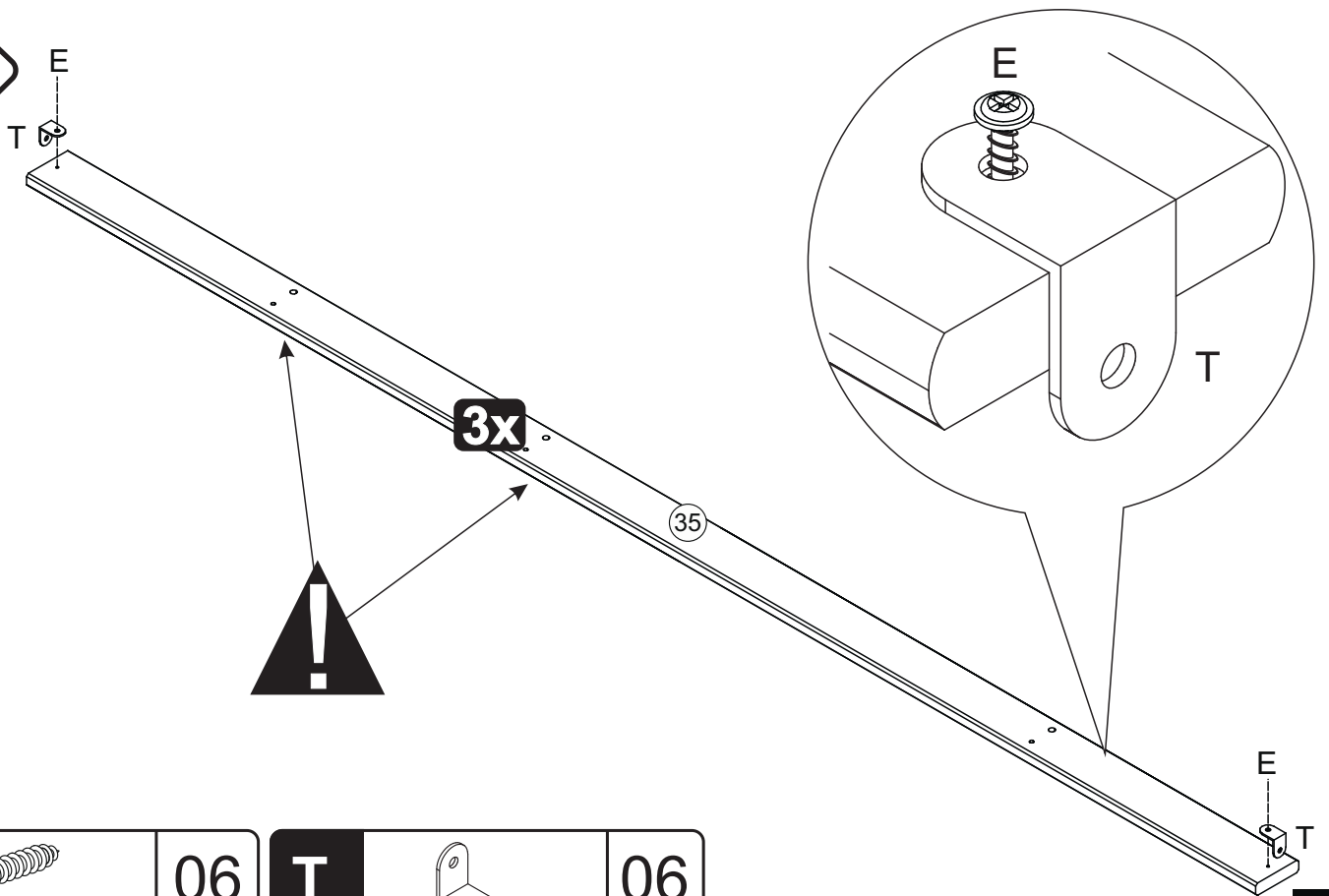


E

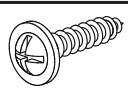


05

56



E



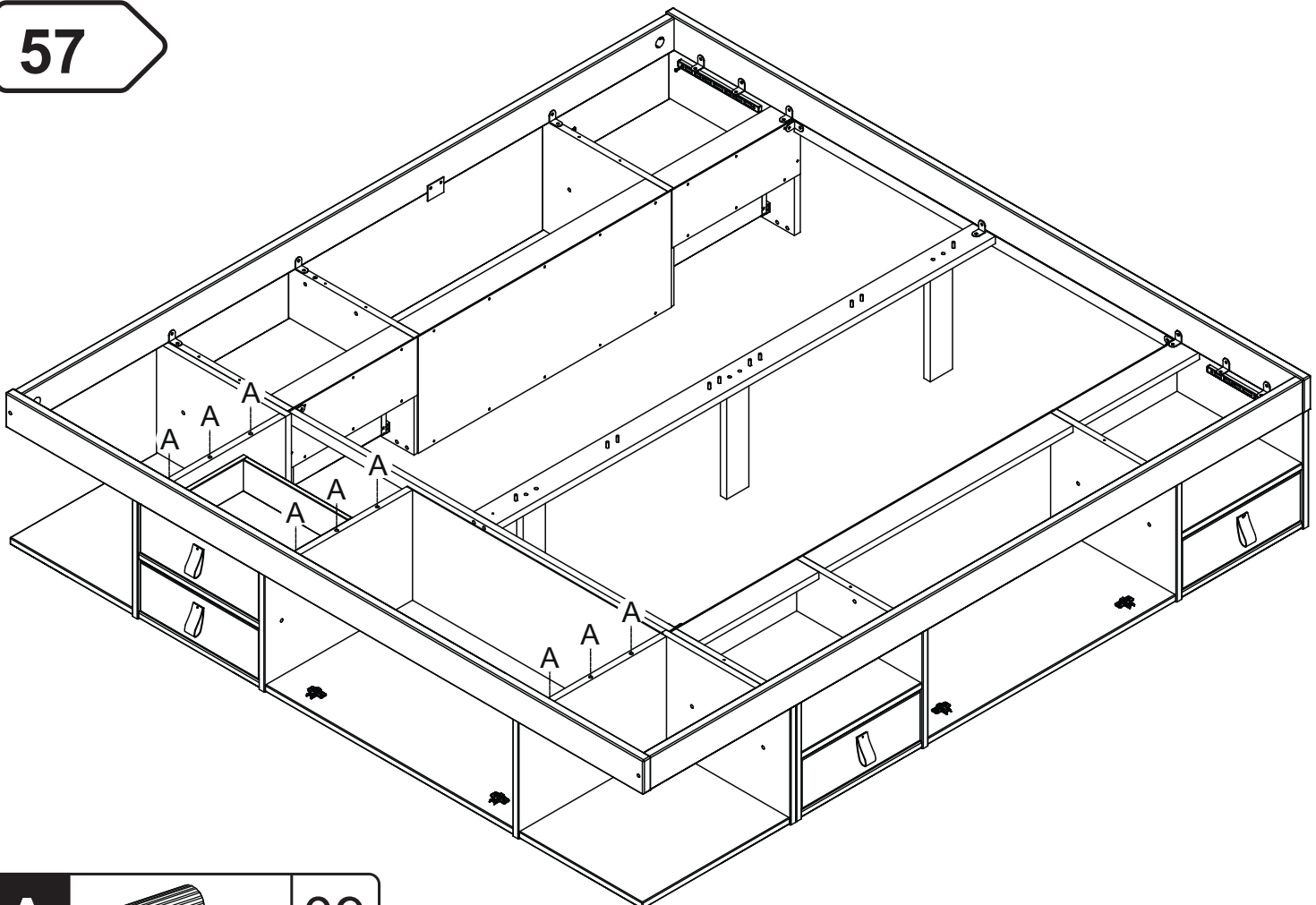
06


T



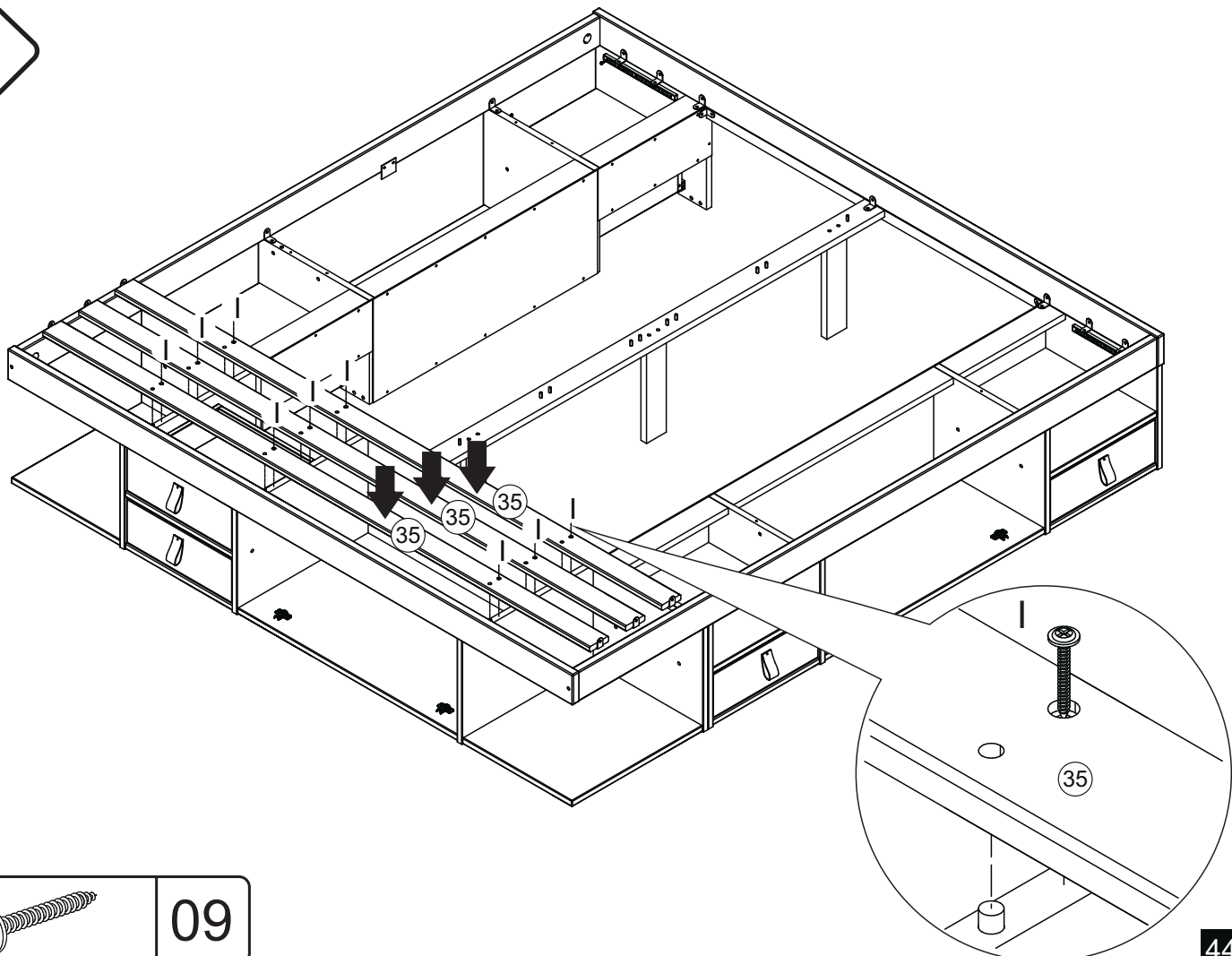
06

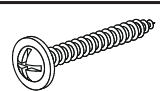
57



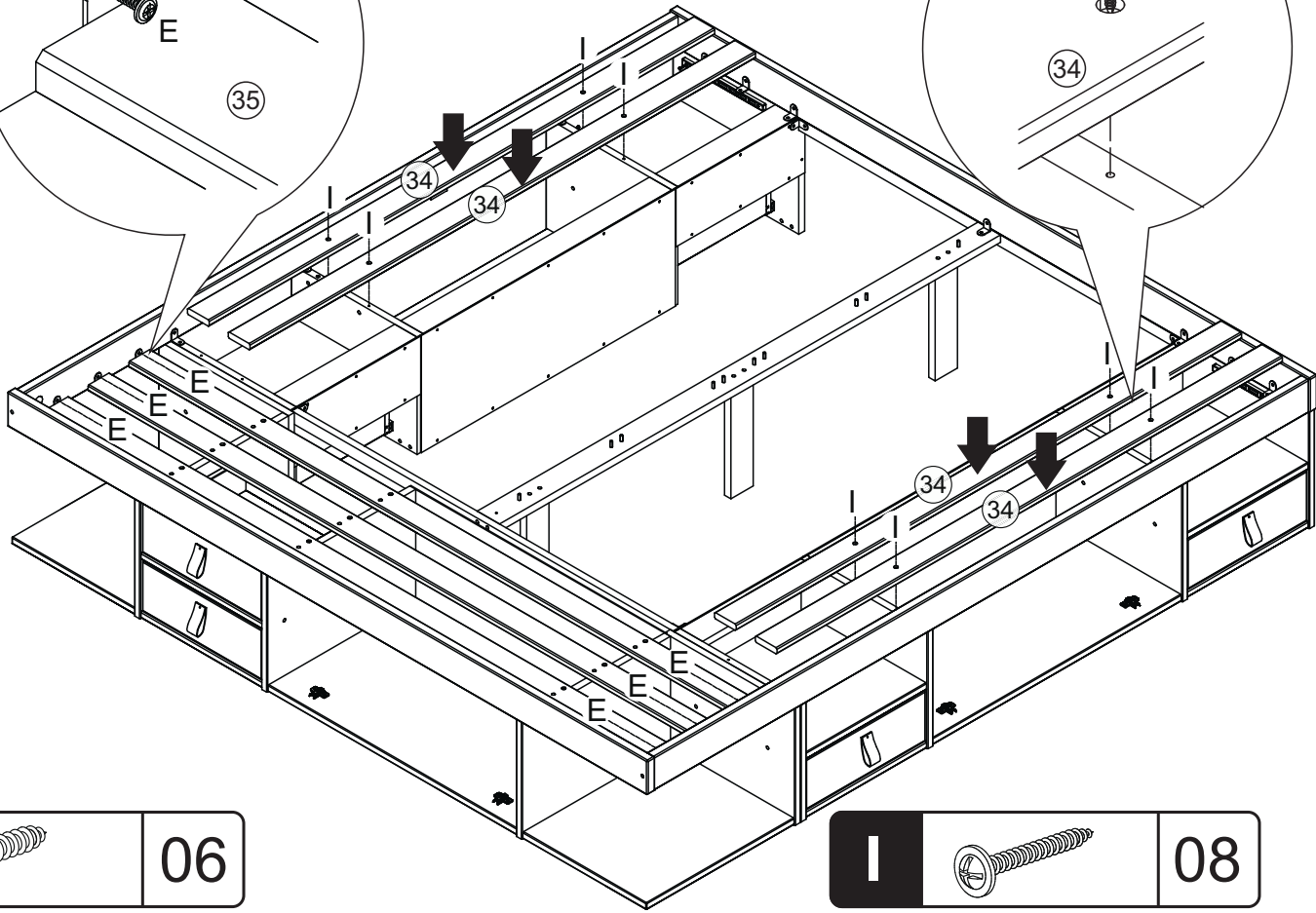
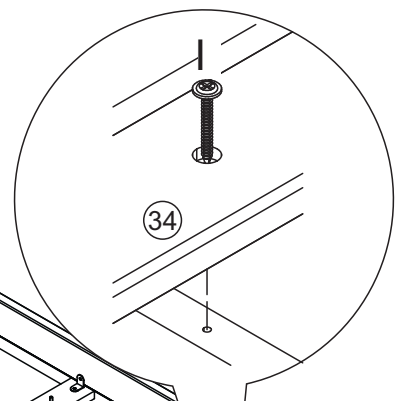
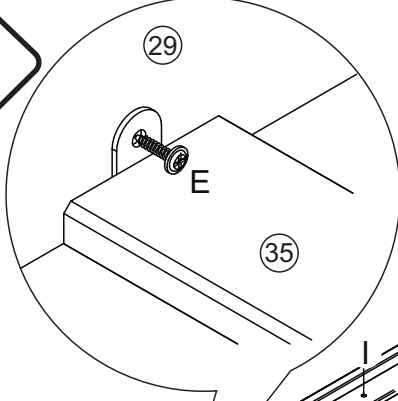
A		09
----------	---	-----------

58

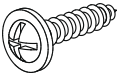


I		09
----------	---	-----------

59

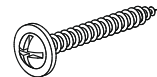


E



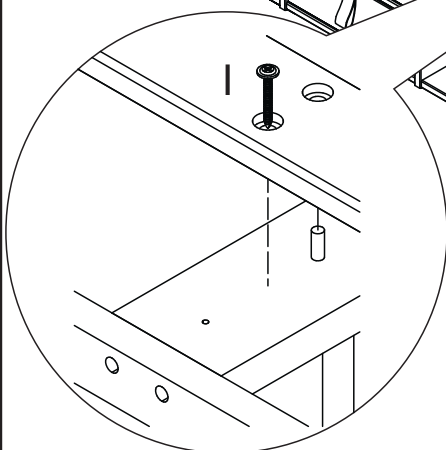
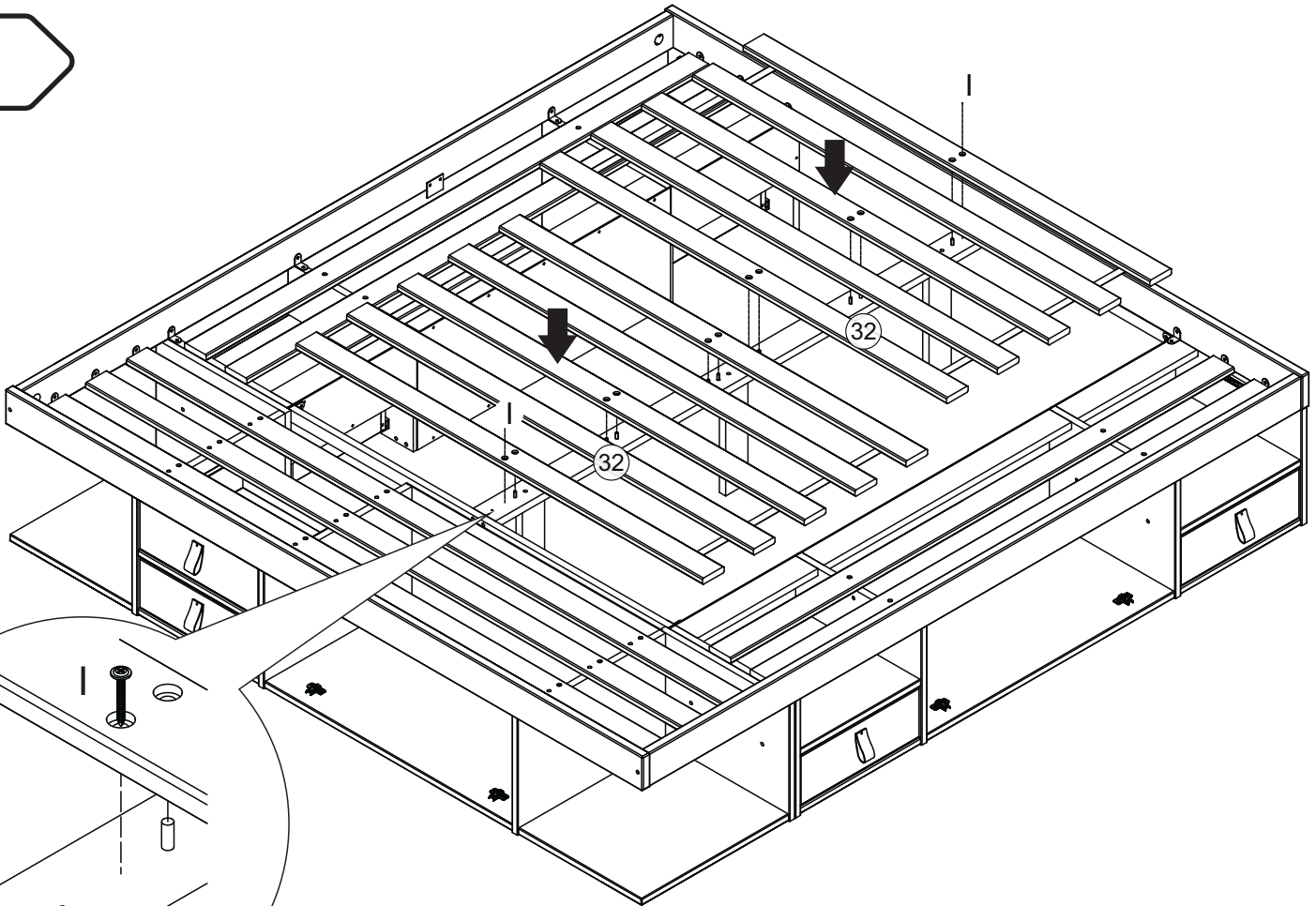
06

I

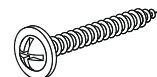


08

60

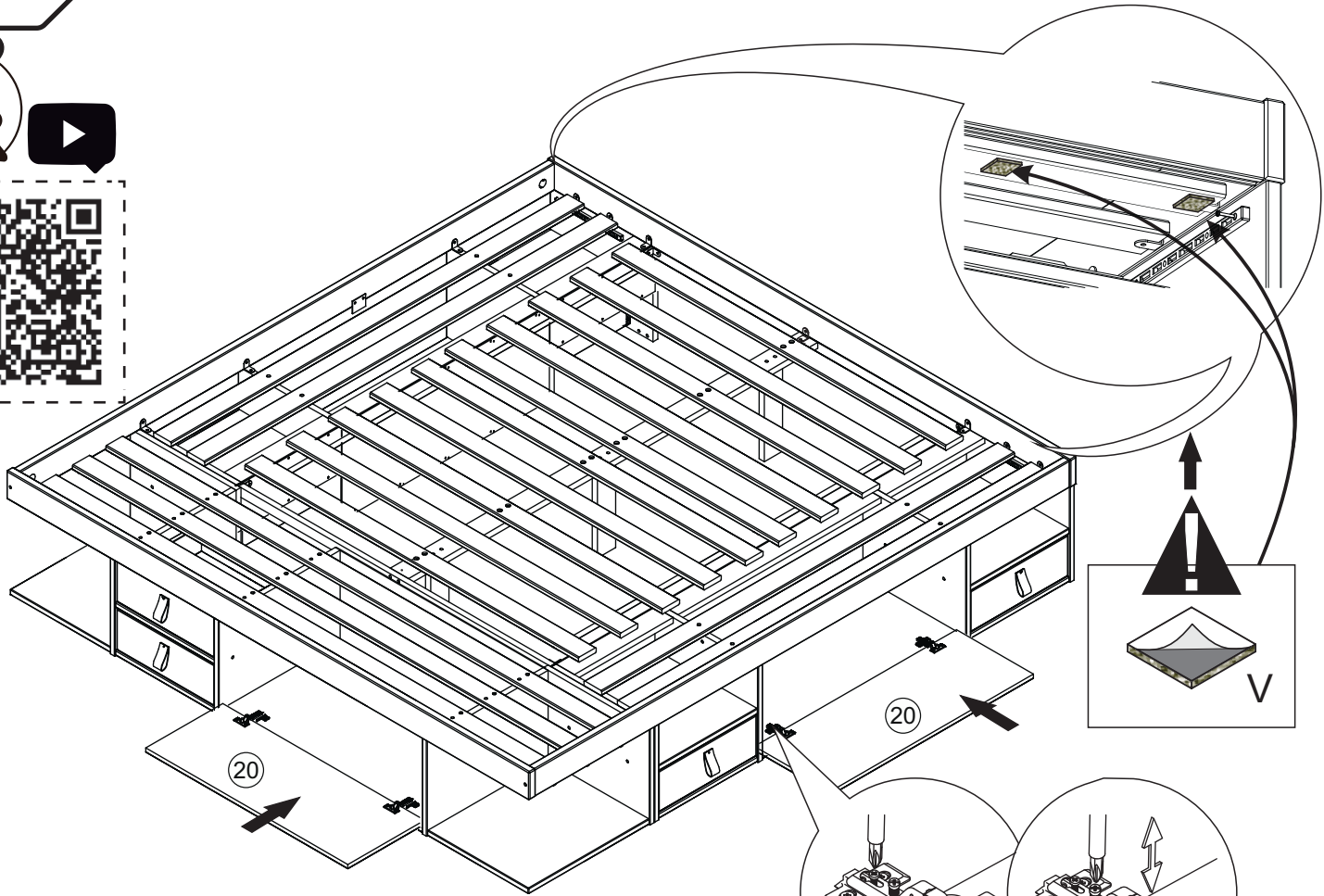


I

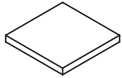


02

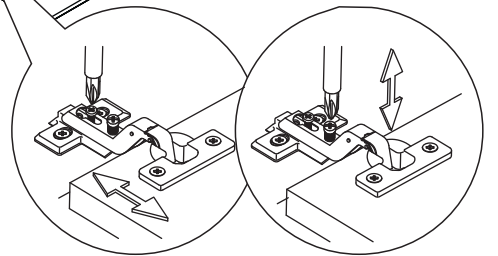
61



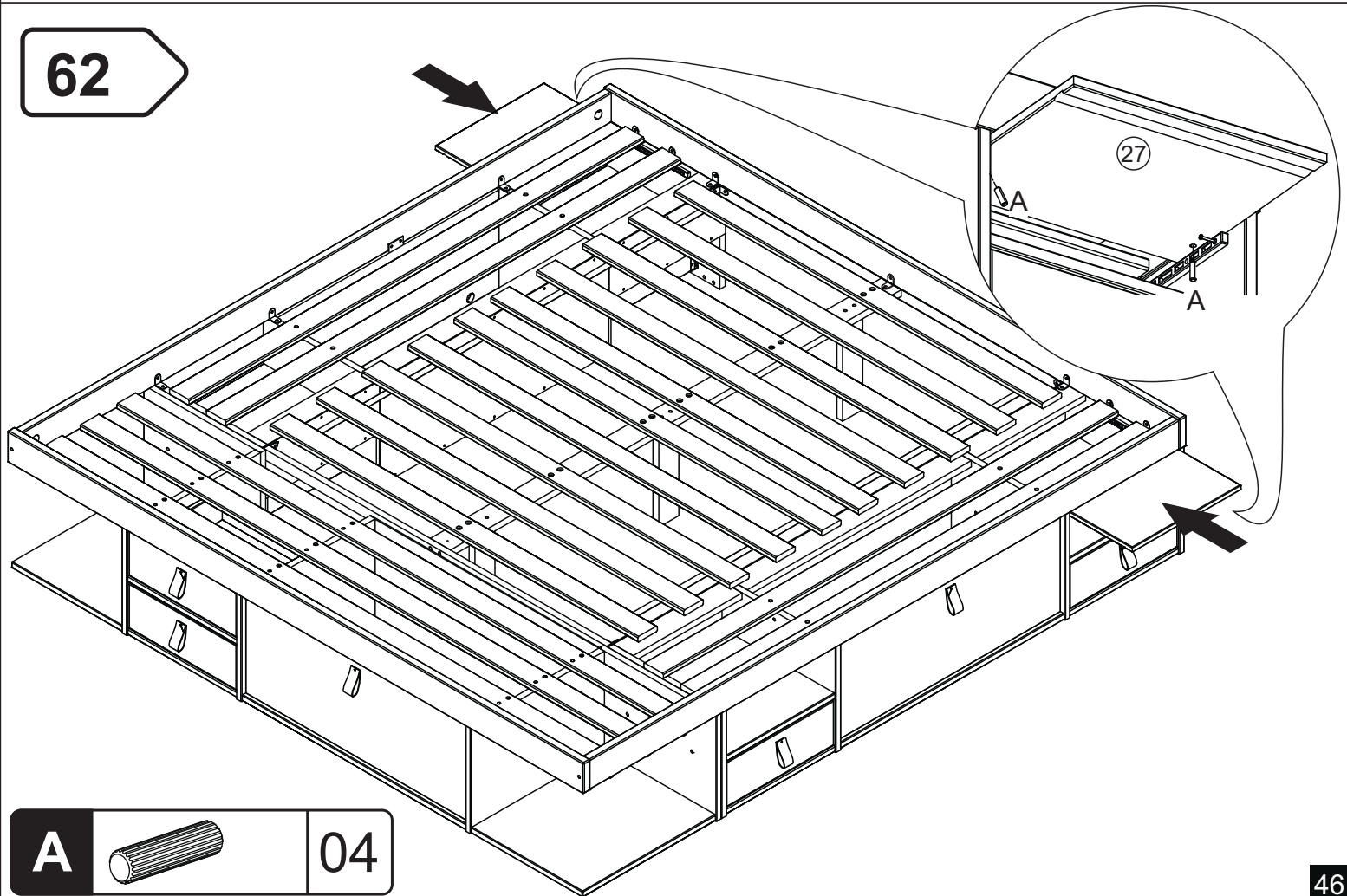
V



04



62

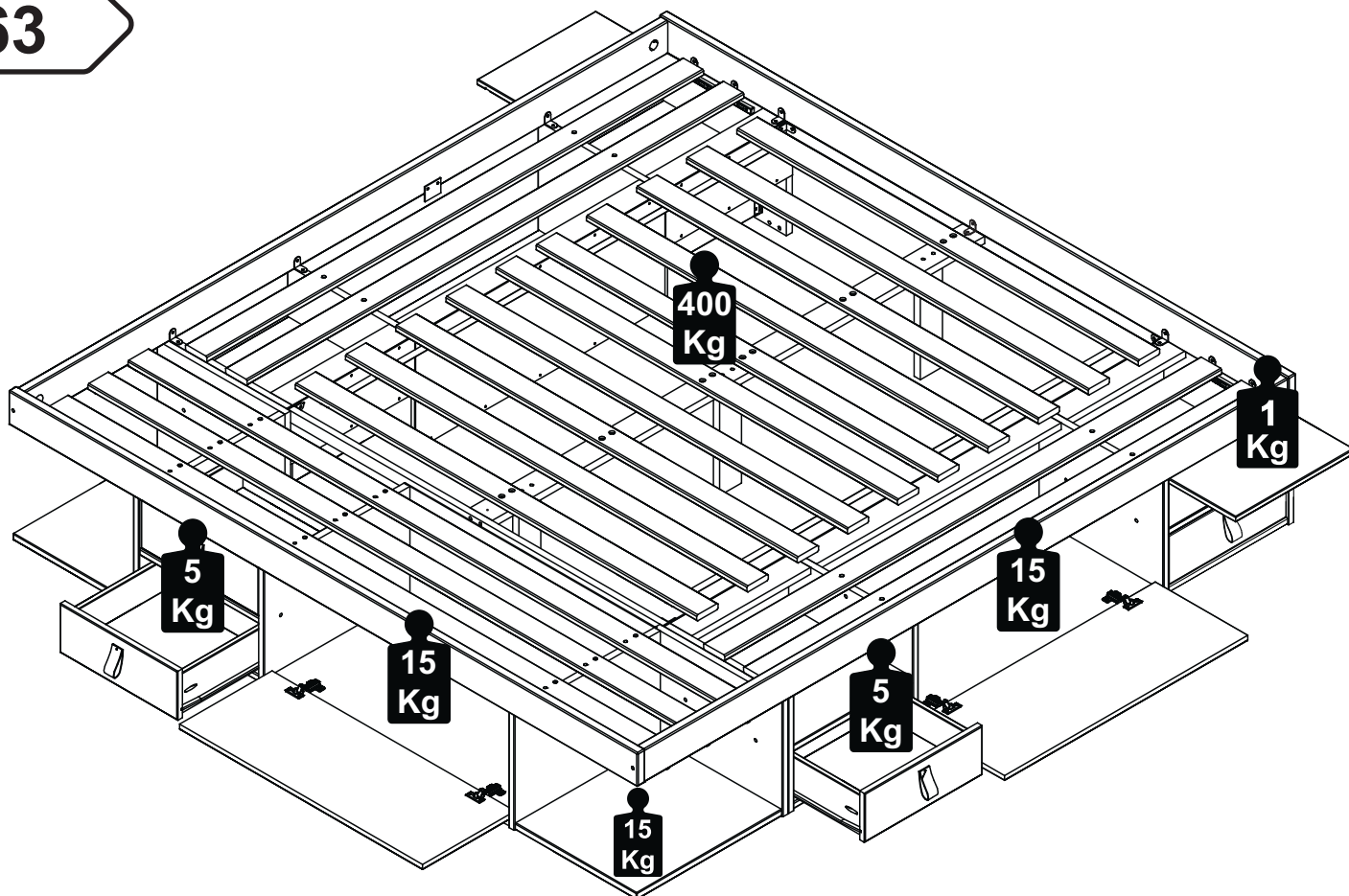


A

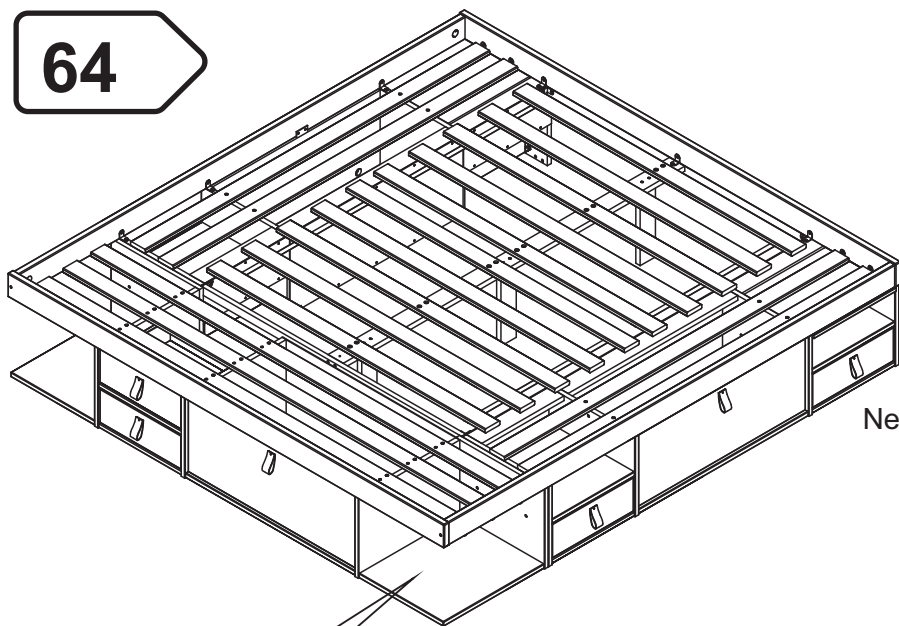


04

63



64



Please do not lift or pull the bed, holding the bars around the slatted floor after having assembled your product.

Nach der Montage soll das Bett nicht hoch gelüpft werden.

Ne soulevez pas ou ne tirez pas le lit en maintenant les barreaux autour du caillebotis après avoir assemblé votre produit.

Depois de montada, a cama não deve ser movimentada pela barra.



Y



01