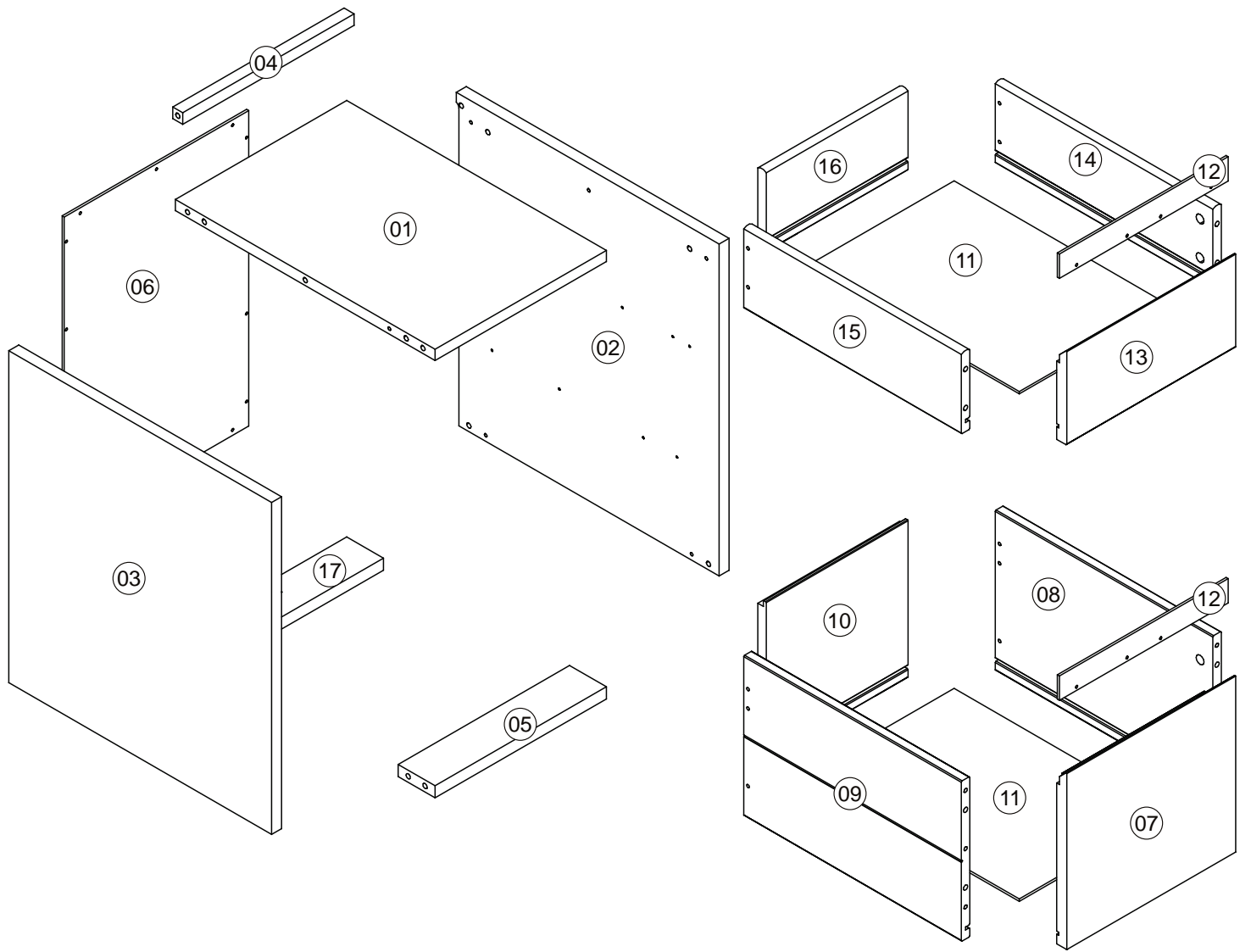
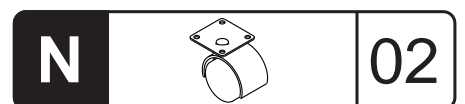
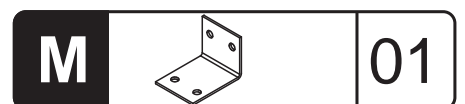
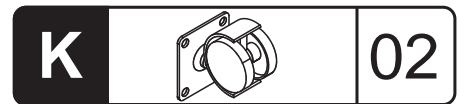
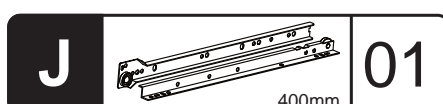
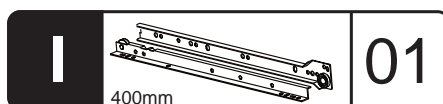
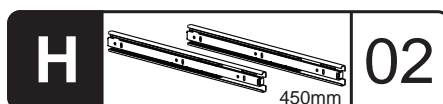
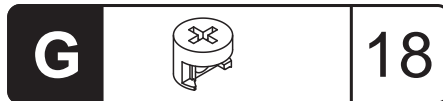
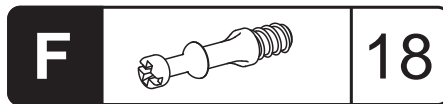
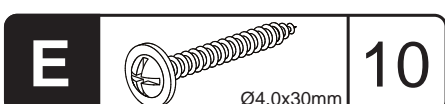
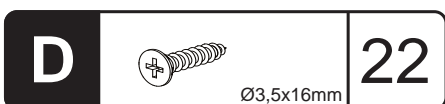
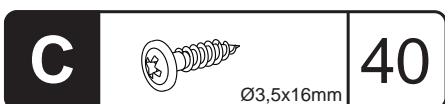
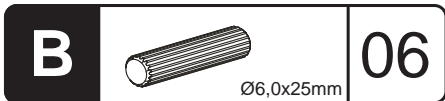
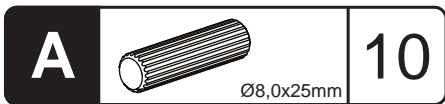
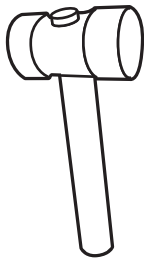
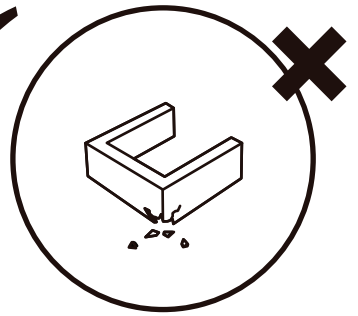
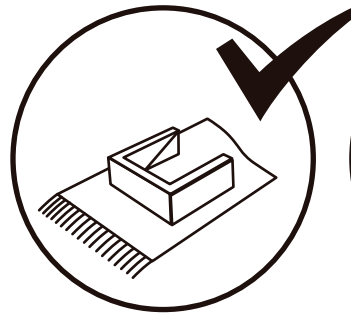


DUNA





01

2x

1

H

2

H1

H2

H

02

02

H1

F

F

D

H1

F

D

D

D

D

D

D

F

F

03

F

F

F

F

D

D

F

D

I

D



14

H



02

F



10

I

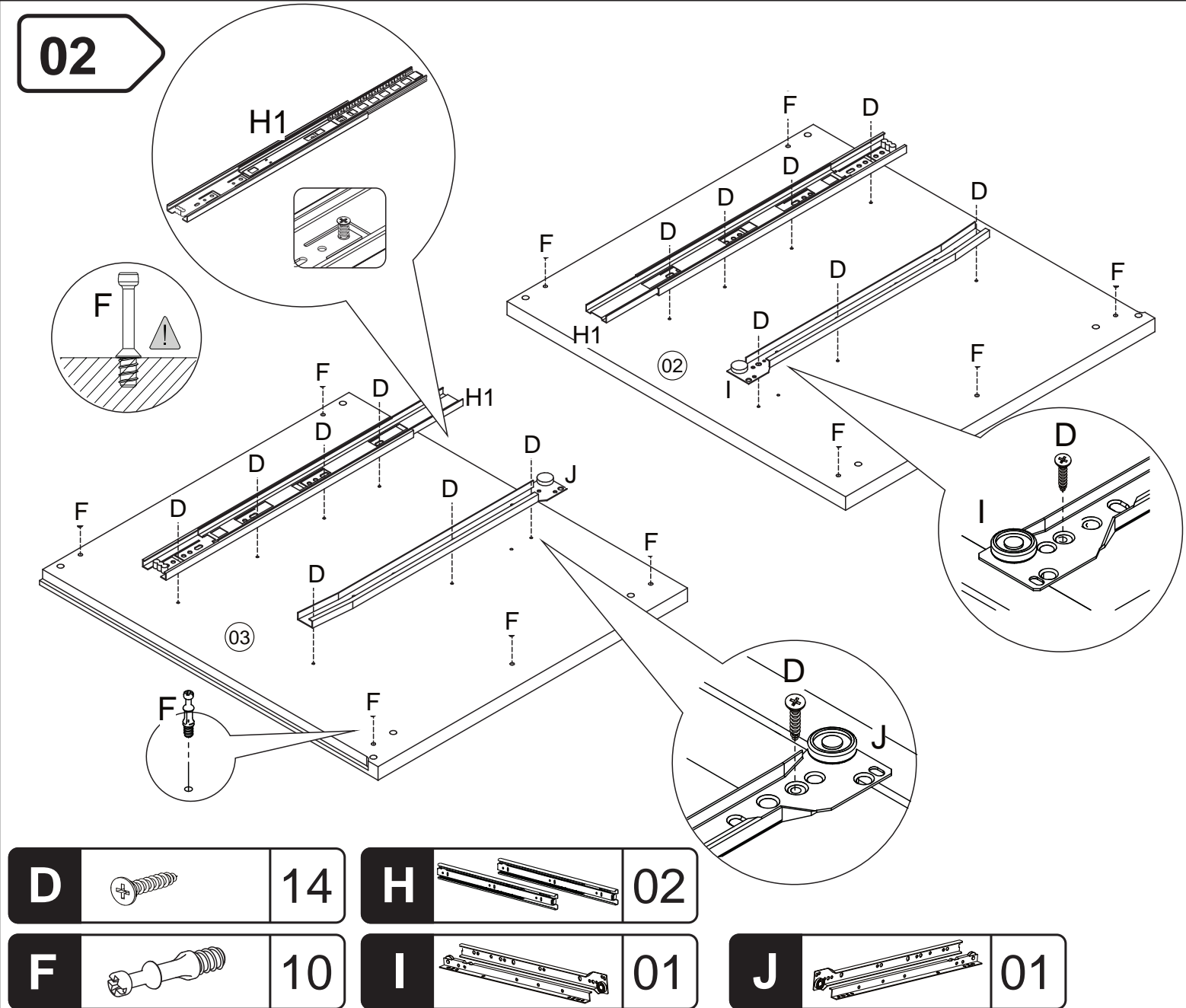
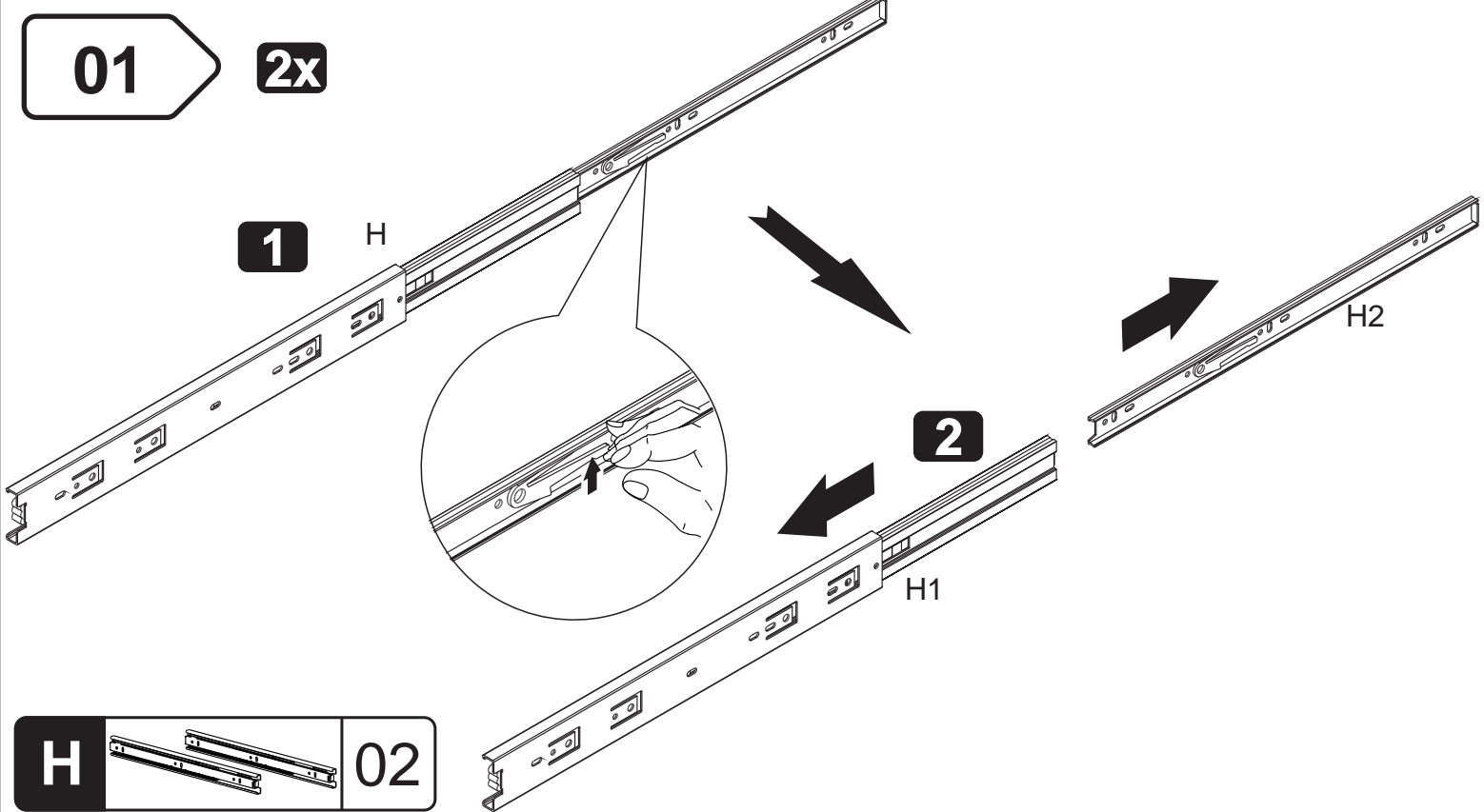


01

J

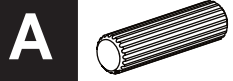
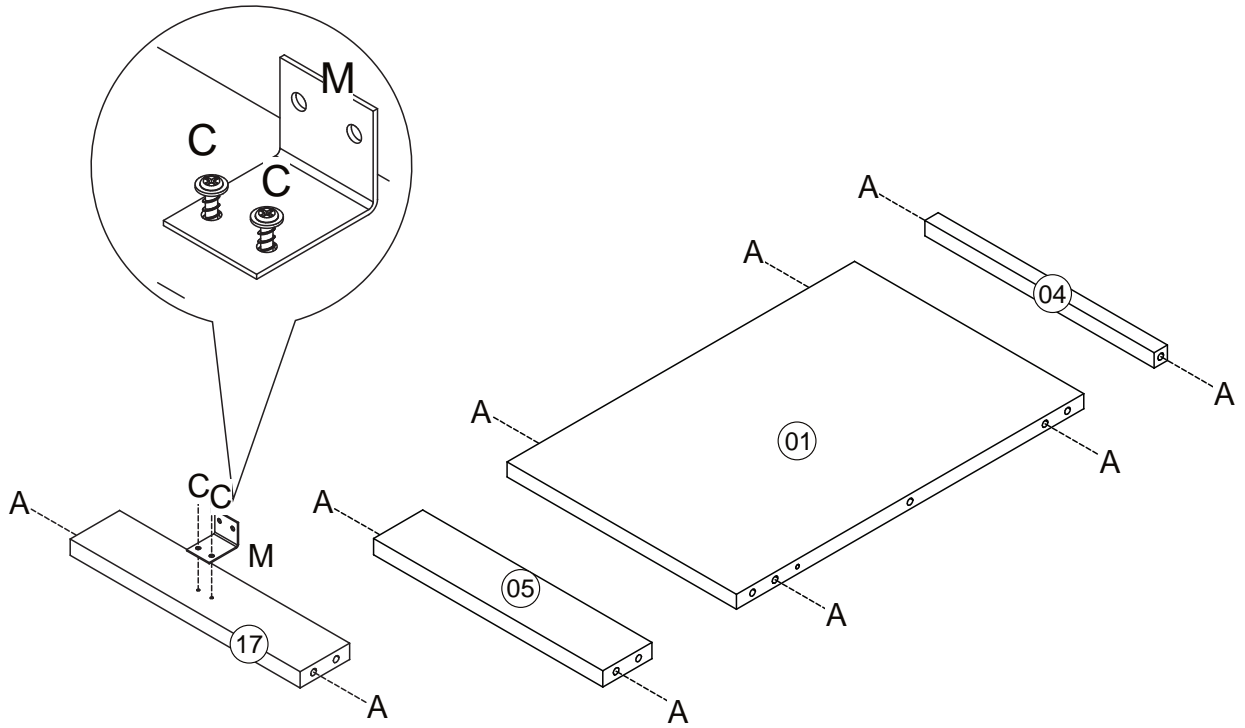


01



D		14	H		02
F		10	I		01
			J		01

03



10

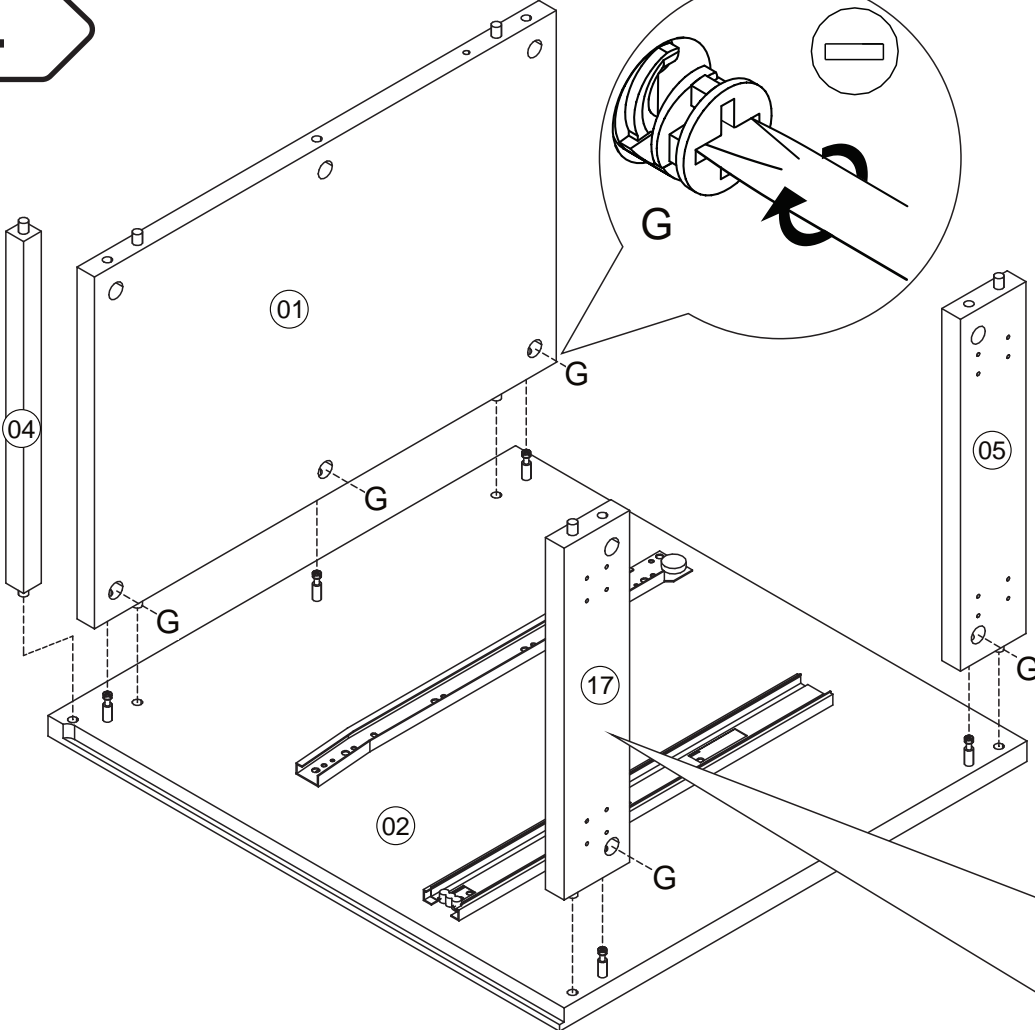


02

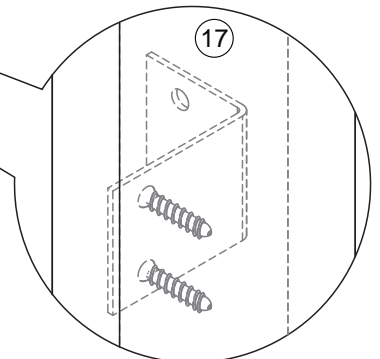


01

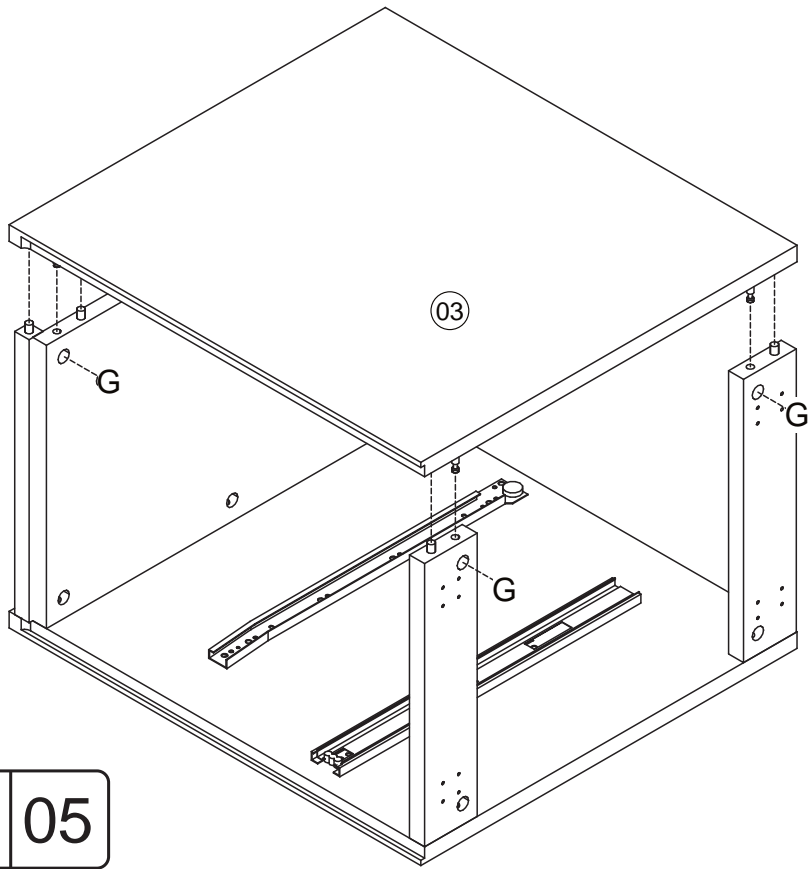
04




05

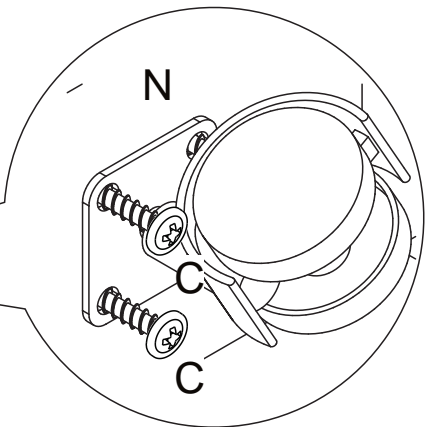
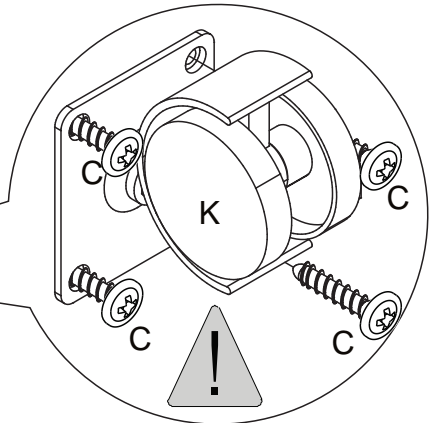
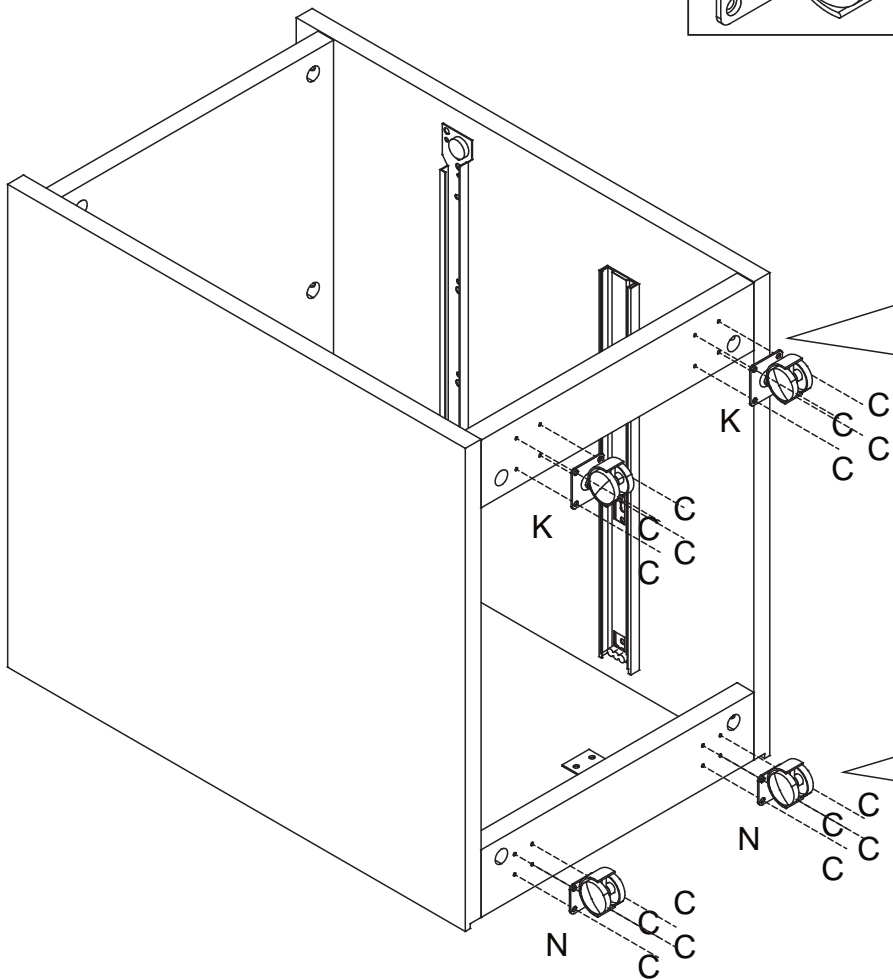
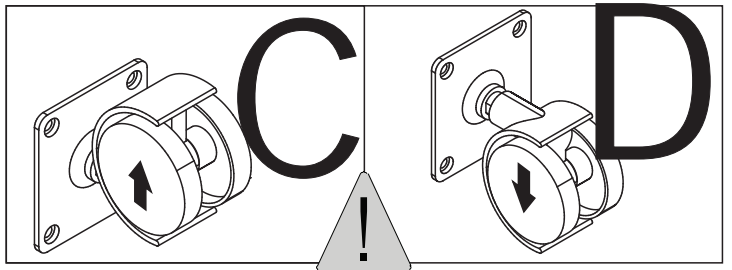


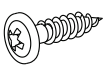
05

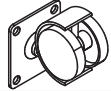



G		05
----------	-----------------------------------------------------------------------------------	-----------

06

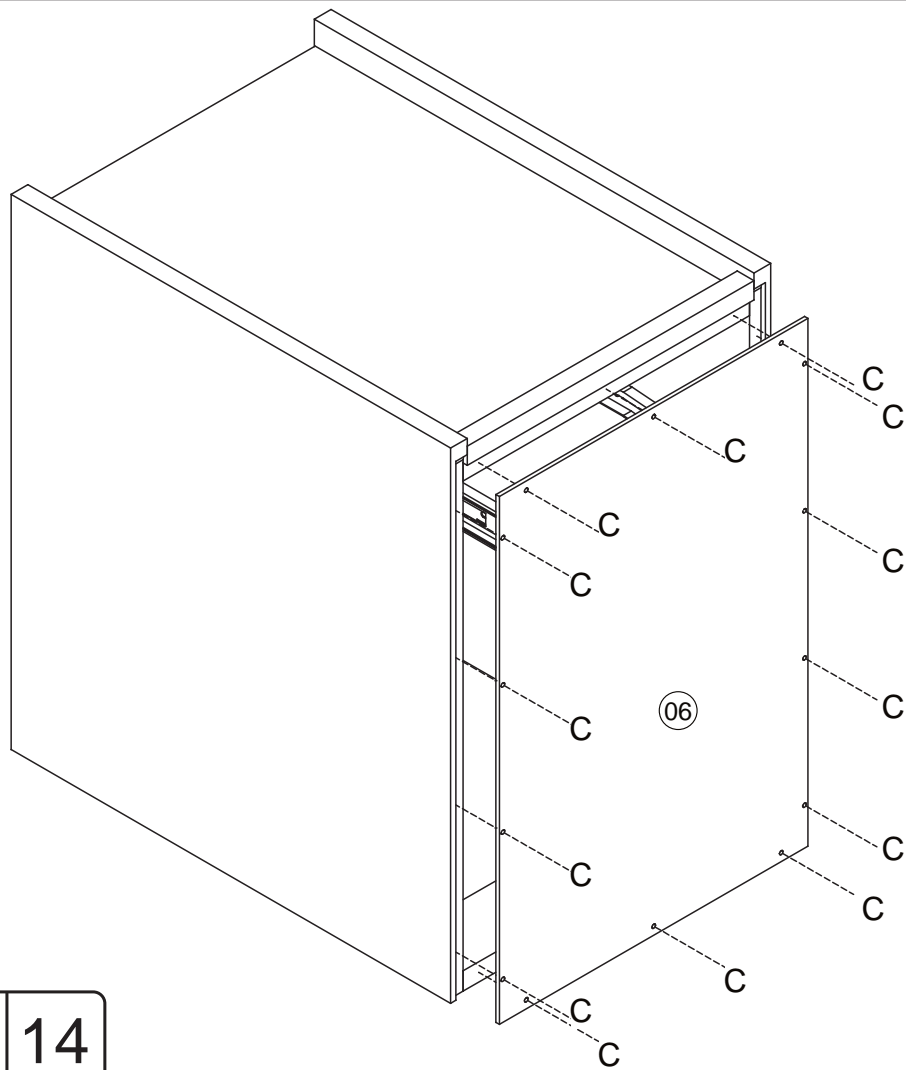


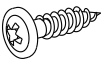
C		16
----------	-------------------------------------------------------------------------------------	-----------

K		02
----------	-------------------------------------------------------------------------------------	-----------

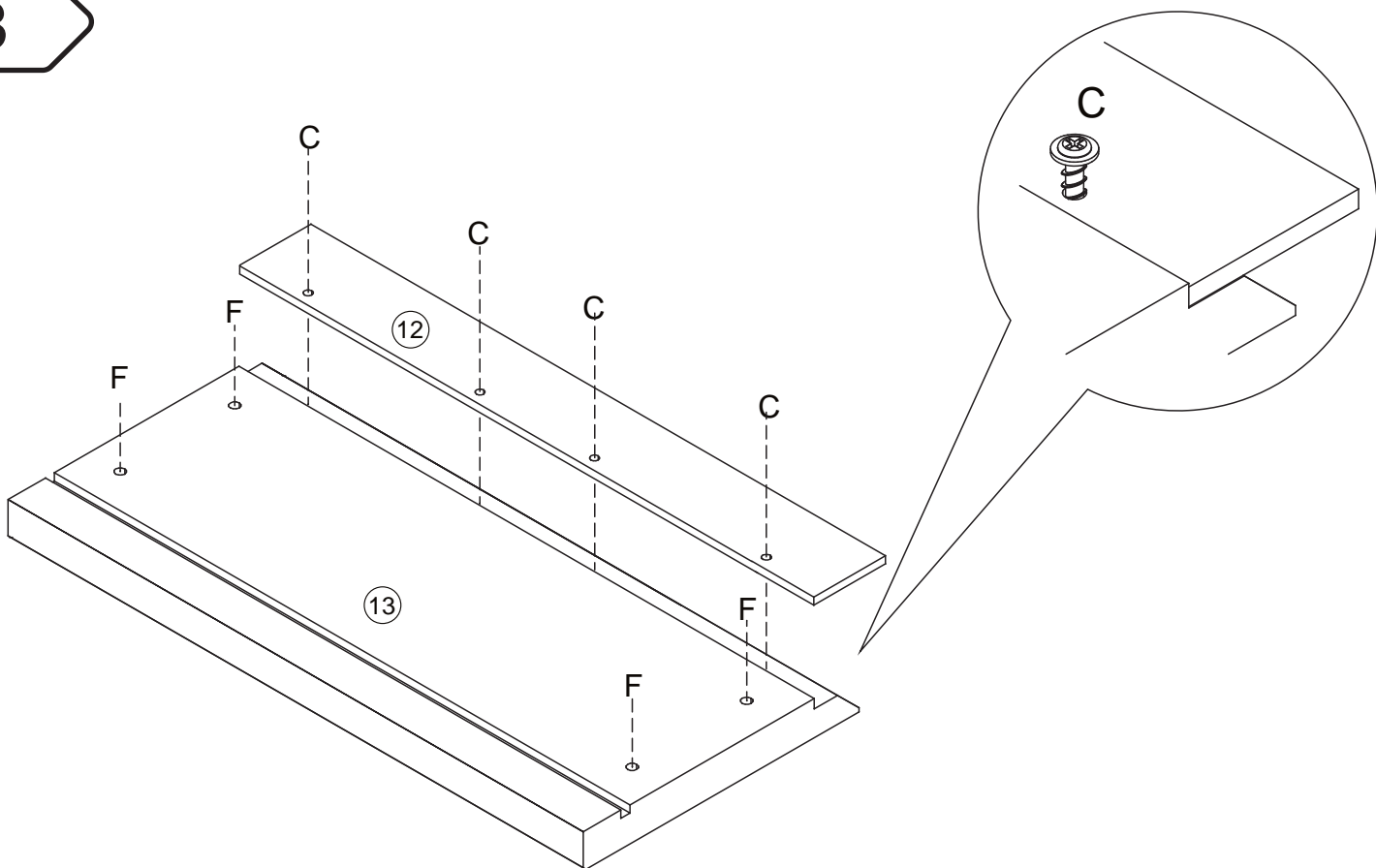
N		02
----------	---------------------------------------------------------------------------------------	-----------

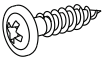
07

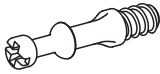


C		14
----------	-------------------------------------------------------------------------------------	----

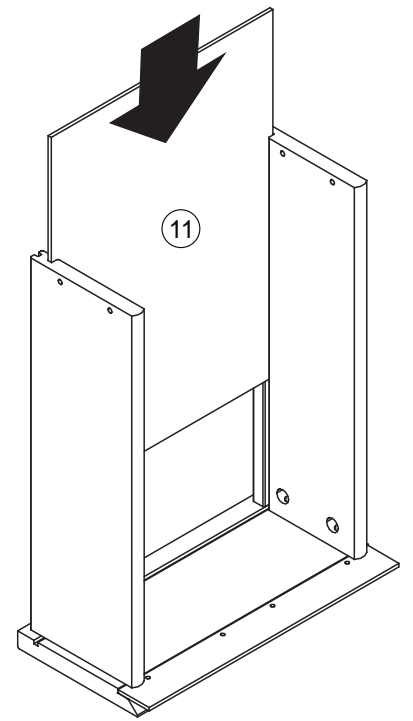
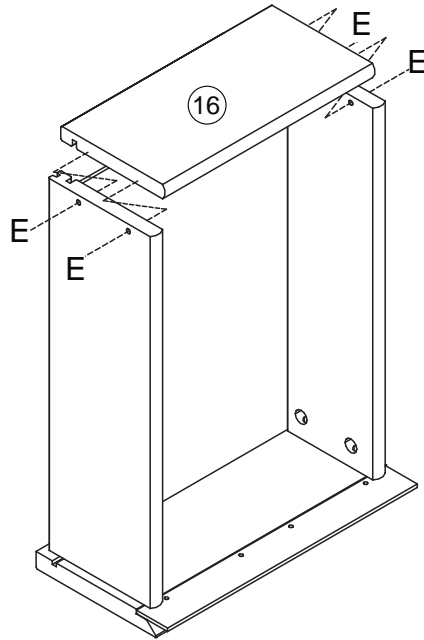
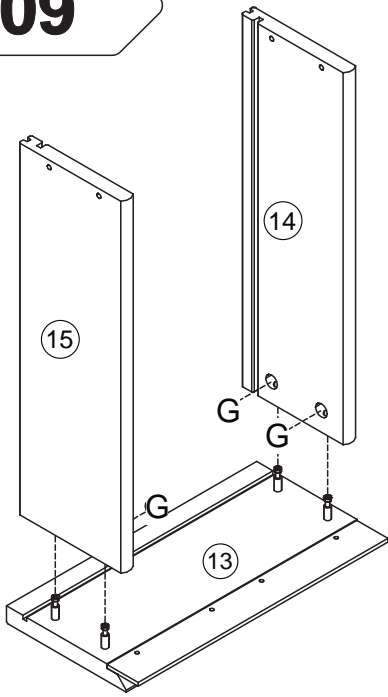
08



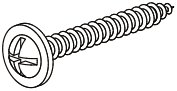
C		04
----------	-------------------------------------------------------------------------------------	----

F		04
----------	-------------------------------------------------------------------------------------	----

09



E



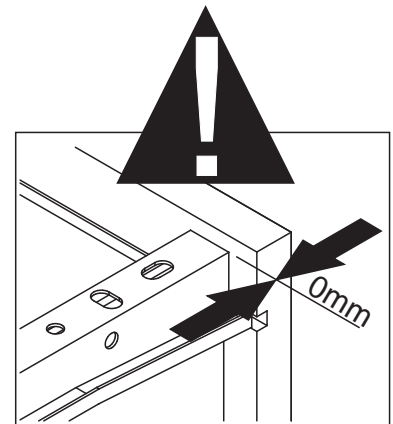
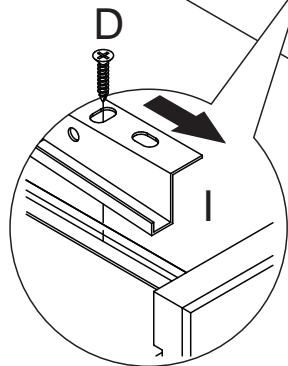
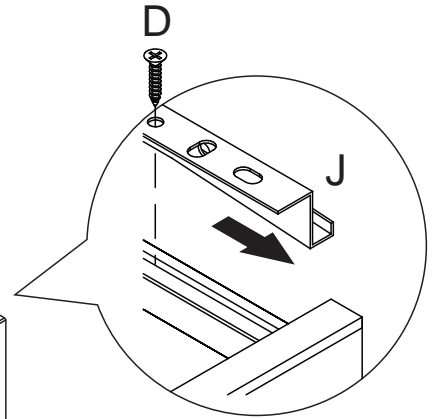
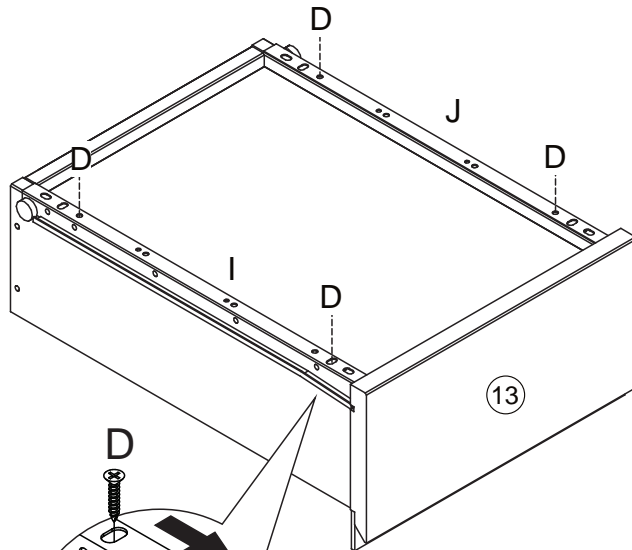
04

G



04

10

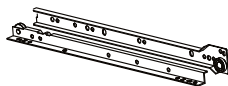


D



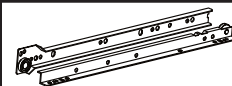
04

I



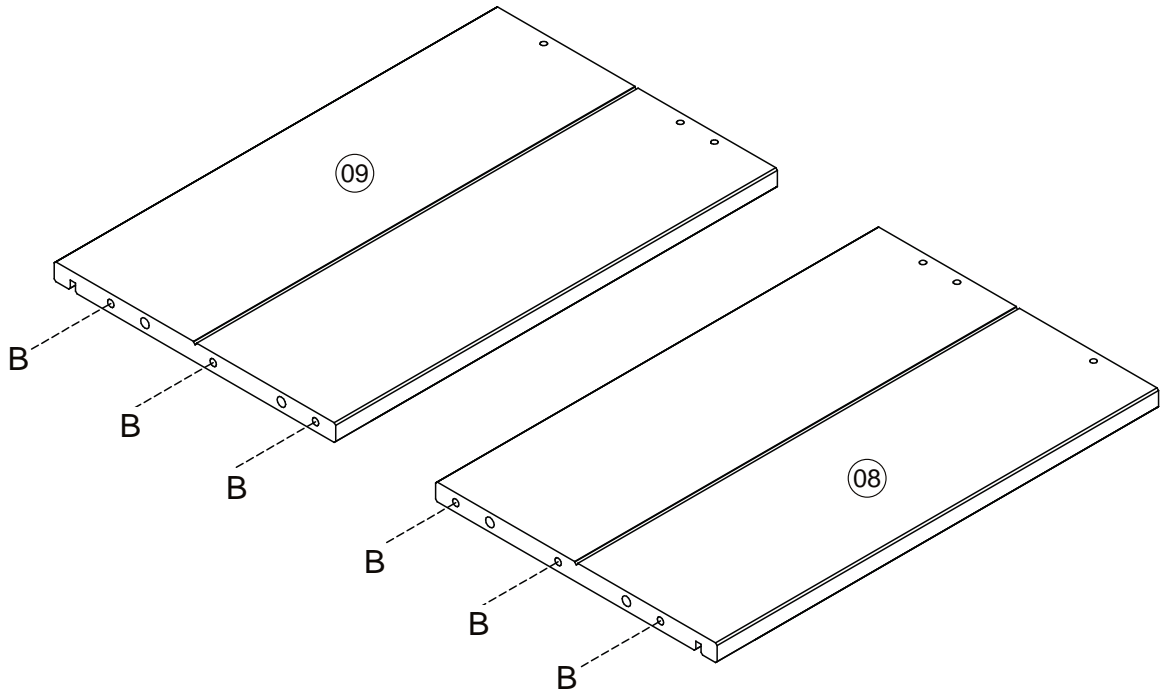
01

J

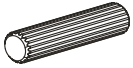


01

11

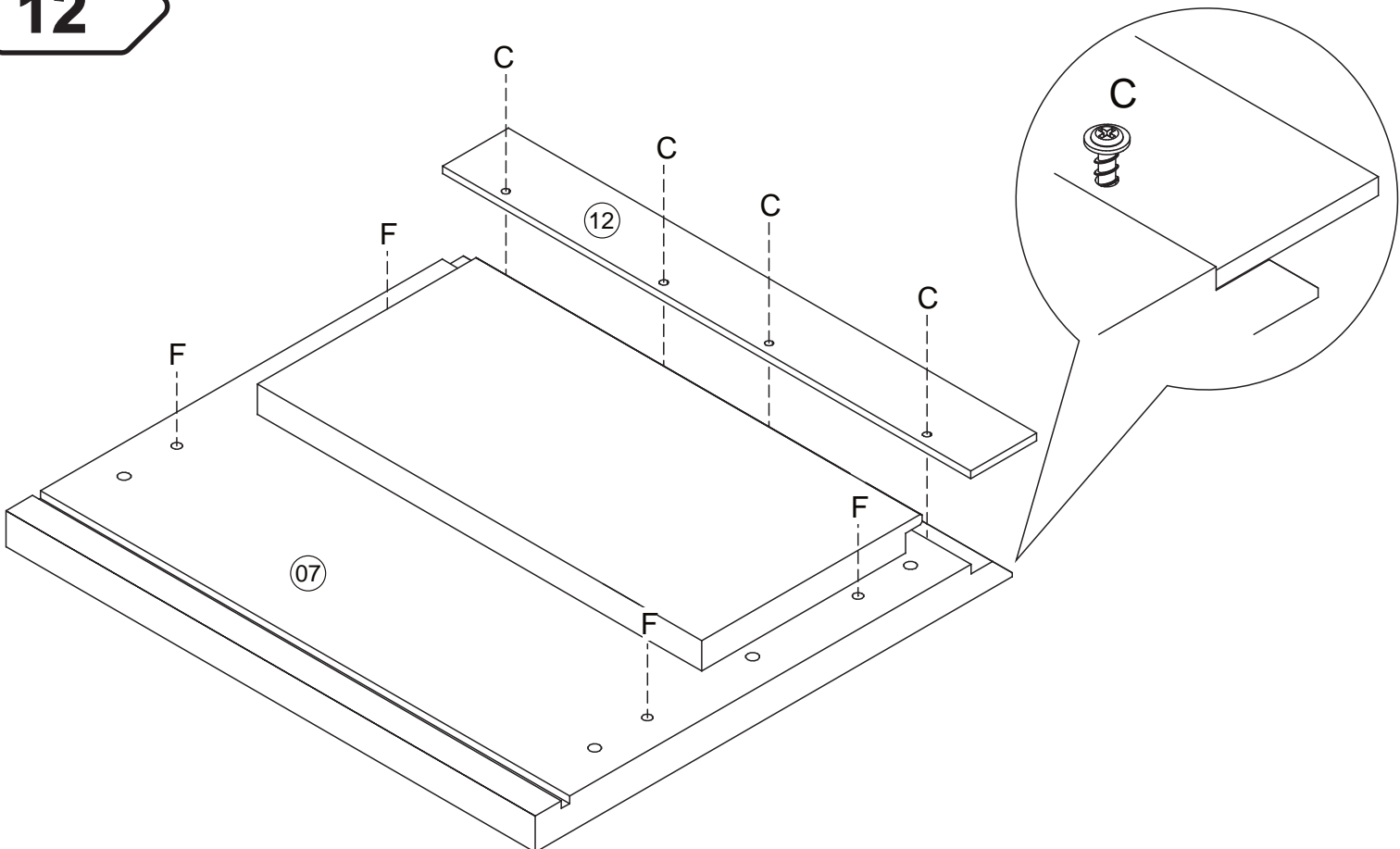


B

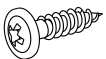


06

12



C



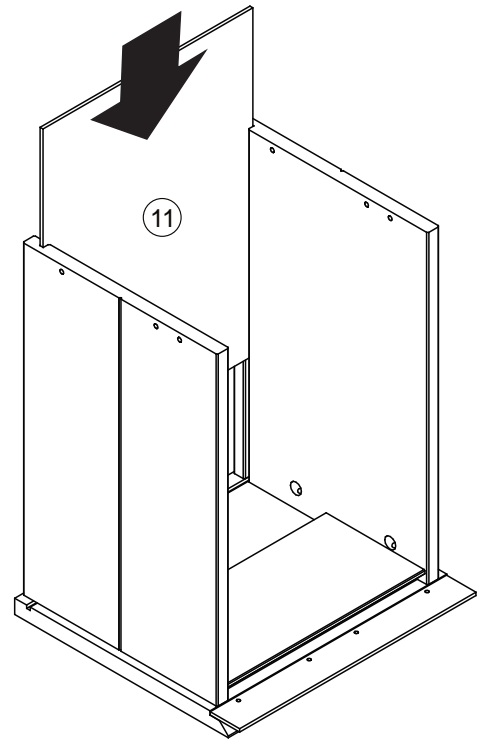
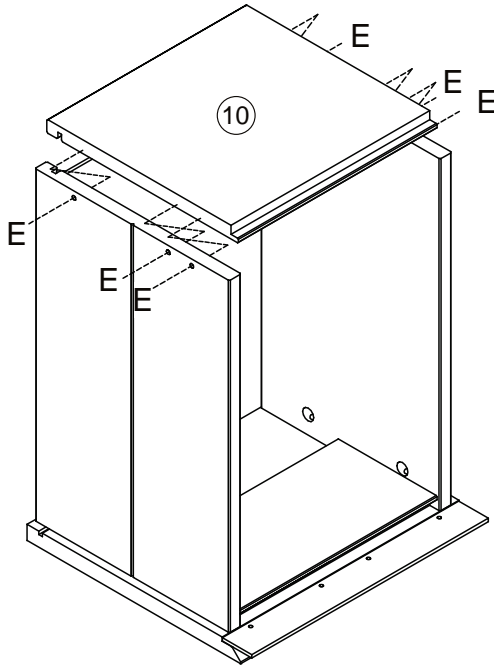
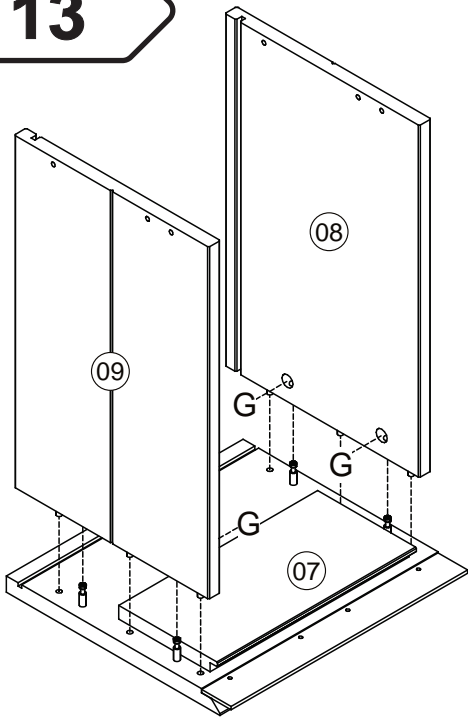
04

F

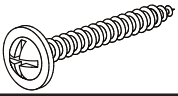


04

13



E



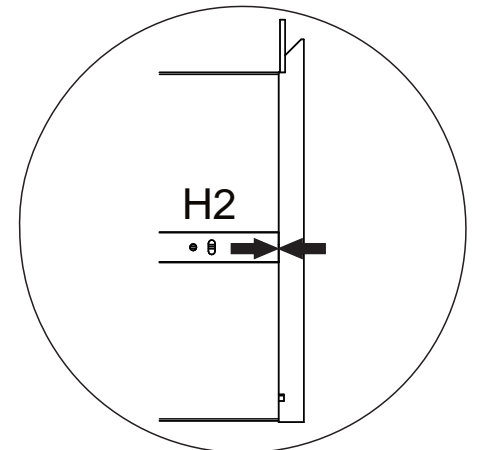
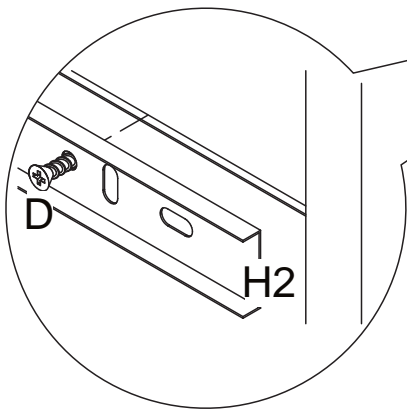
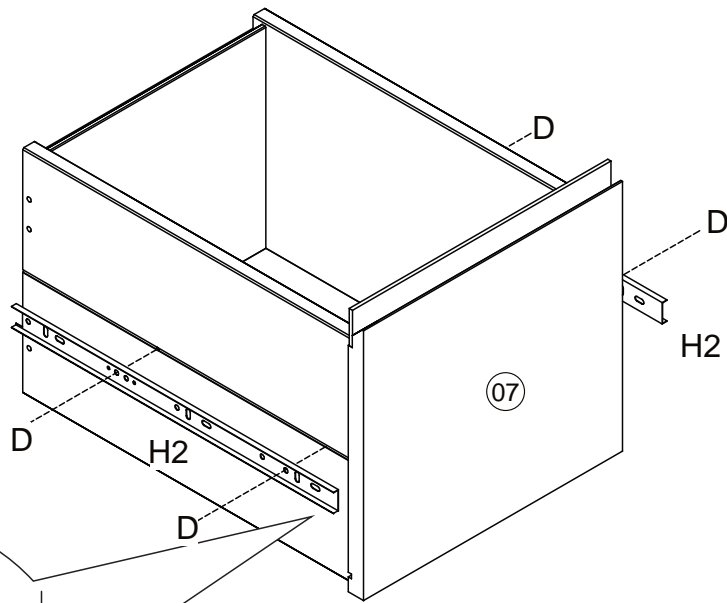
06

G



04

14

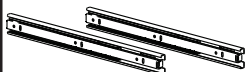


D

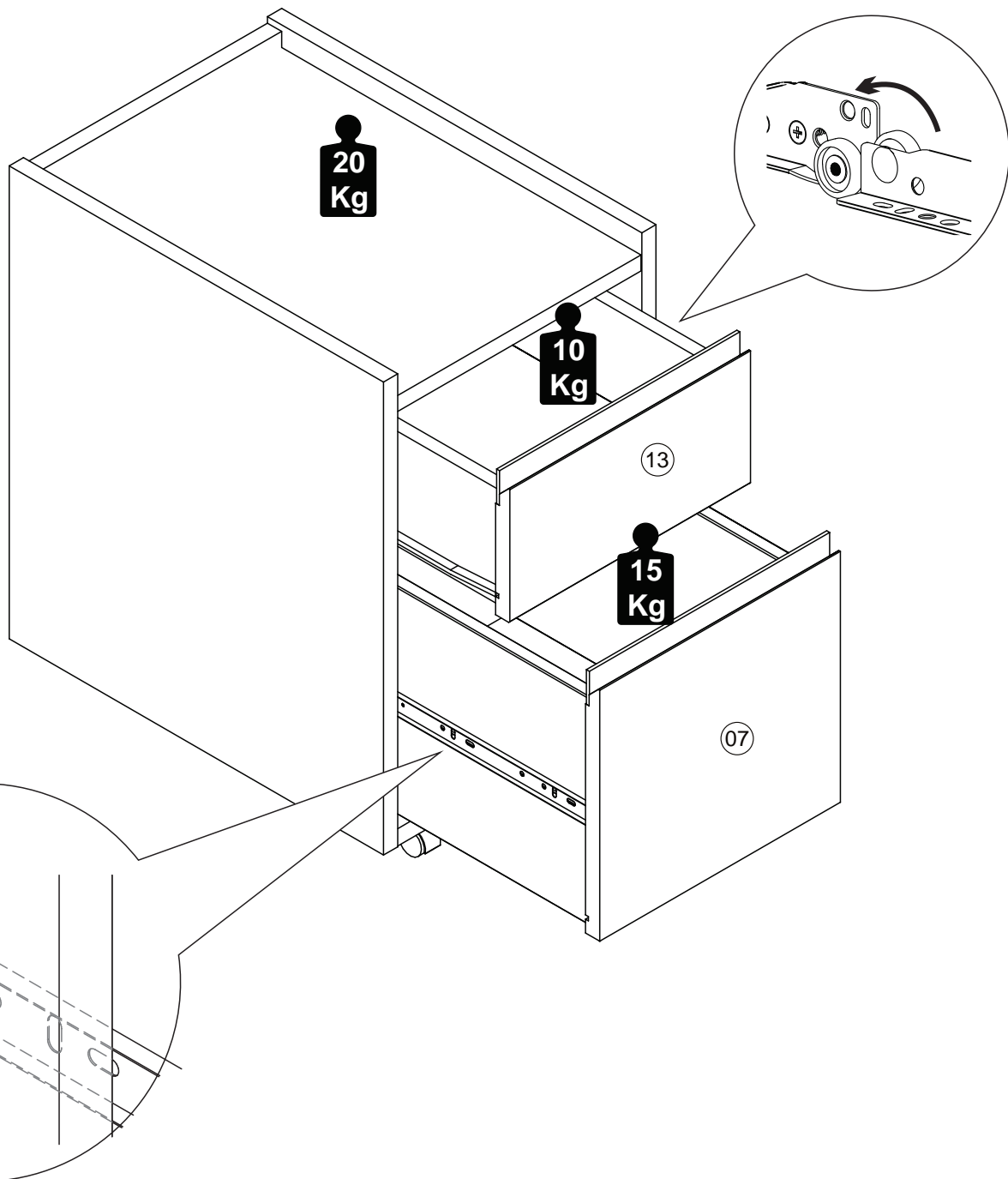


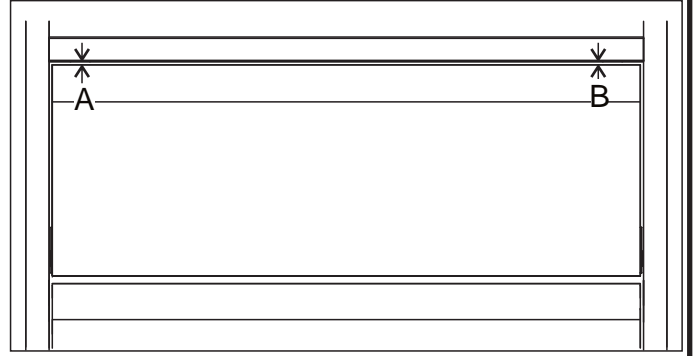
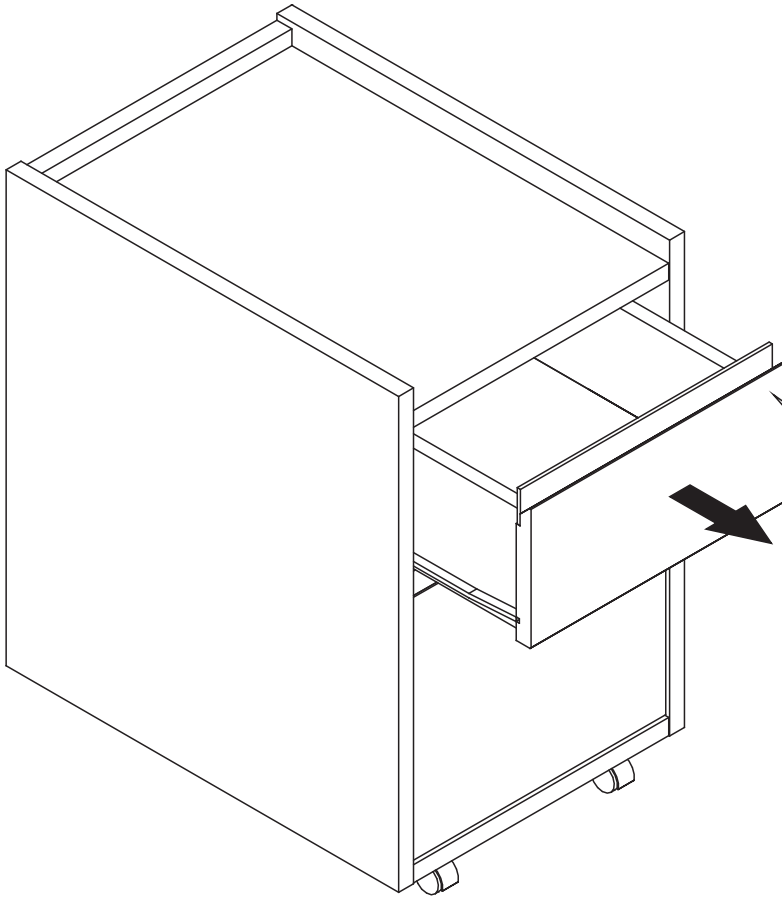
04

H

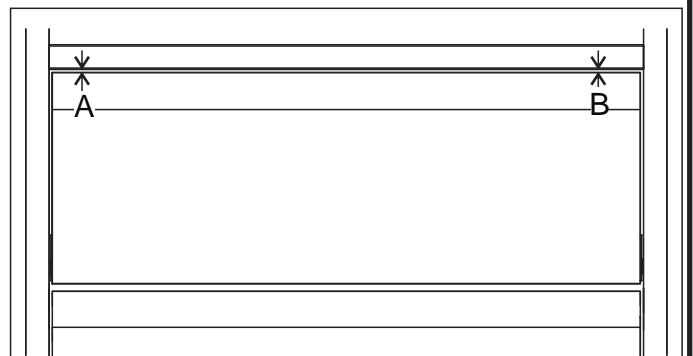
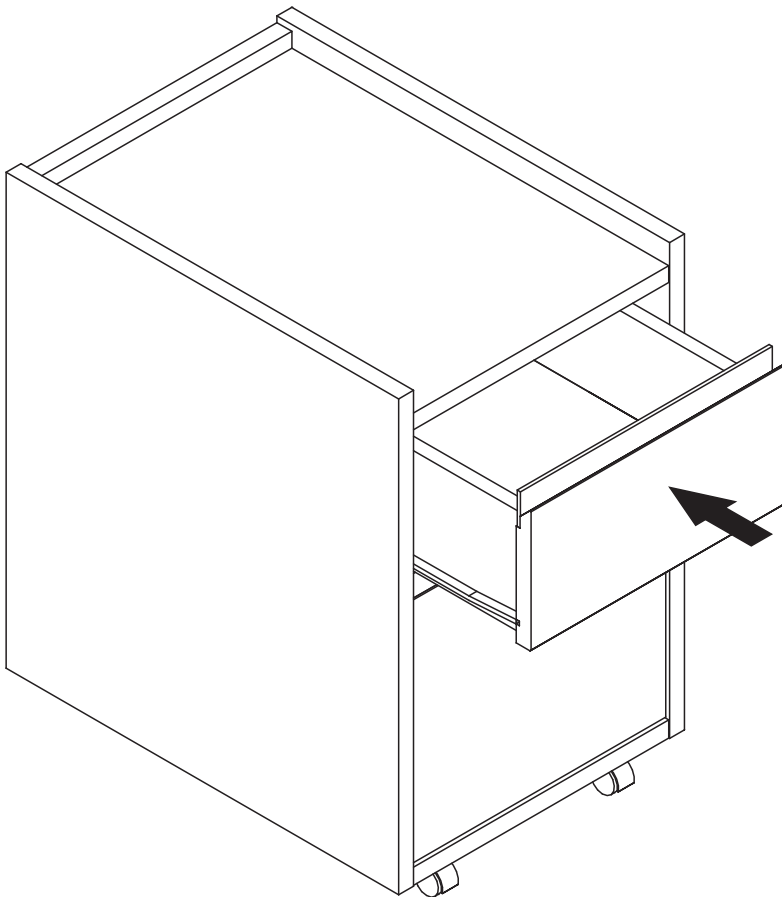
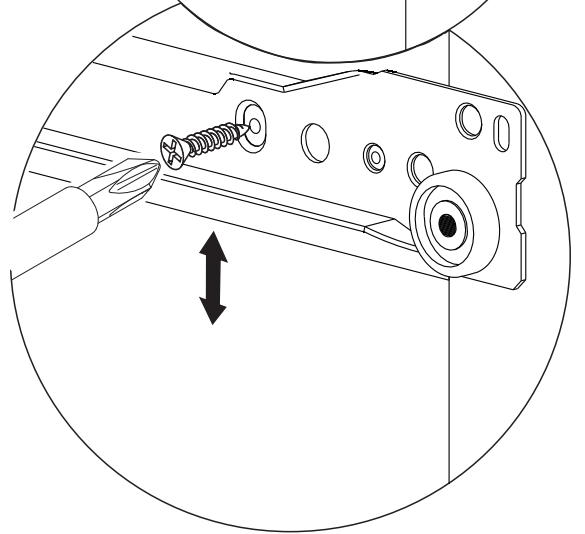
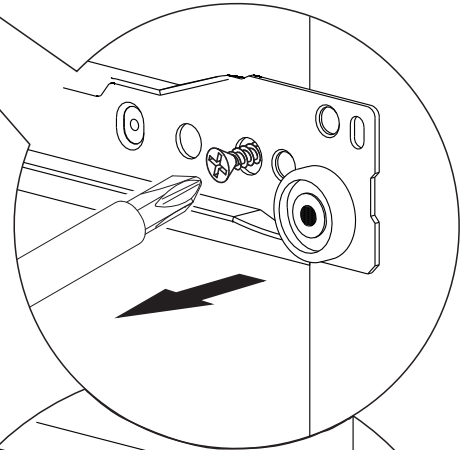


02

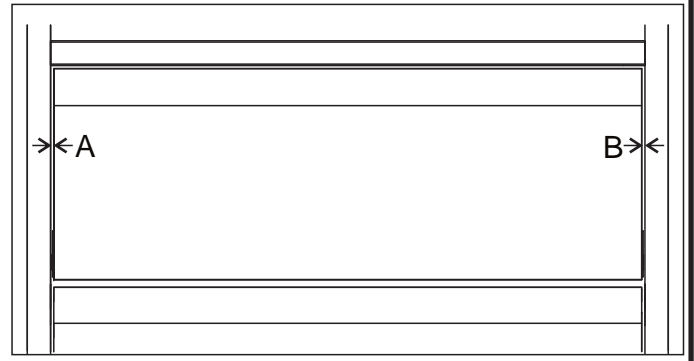
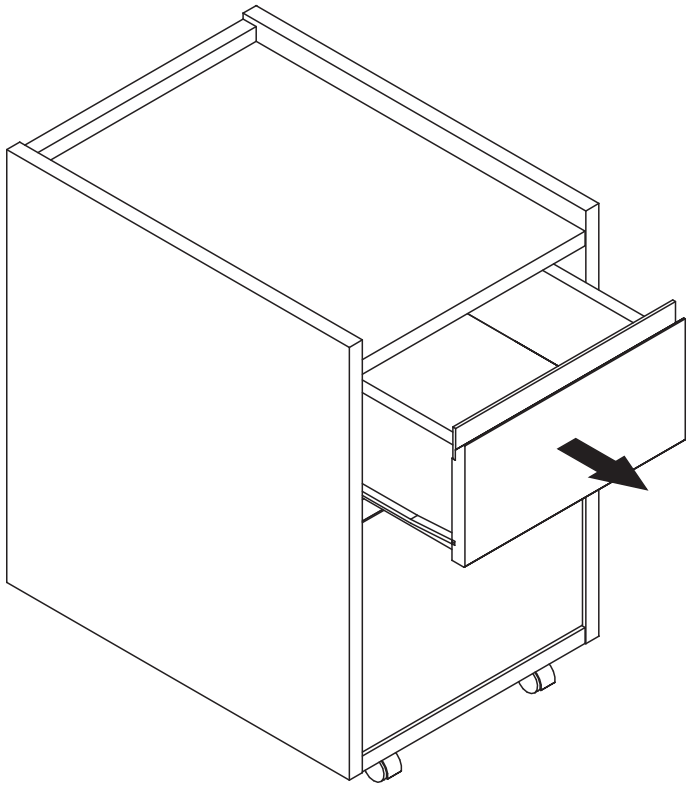




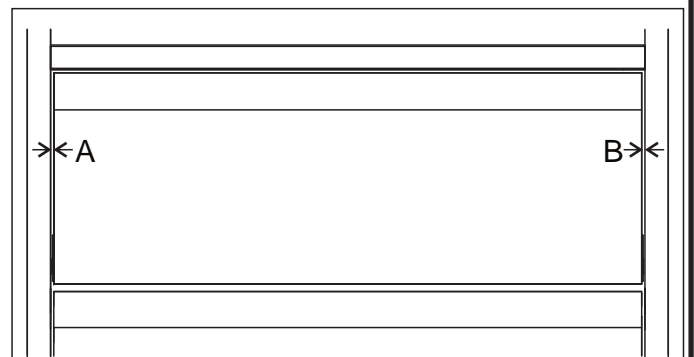
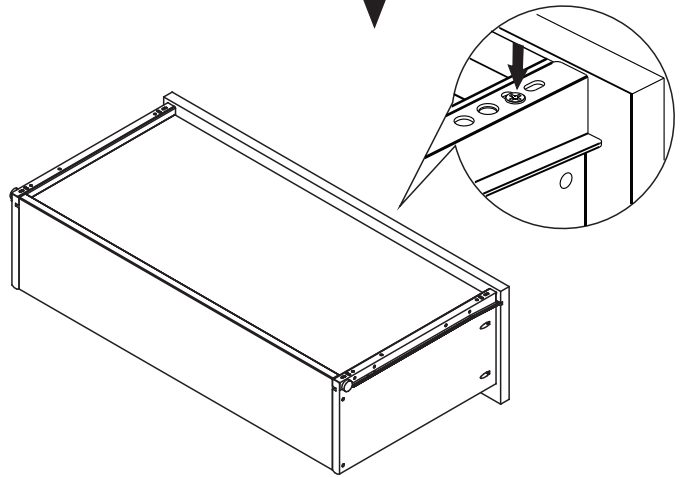
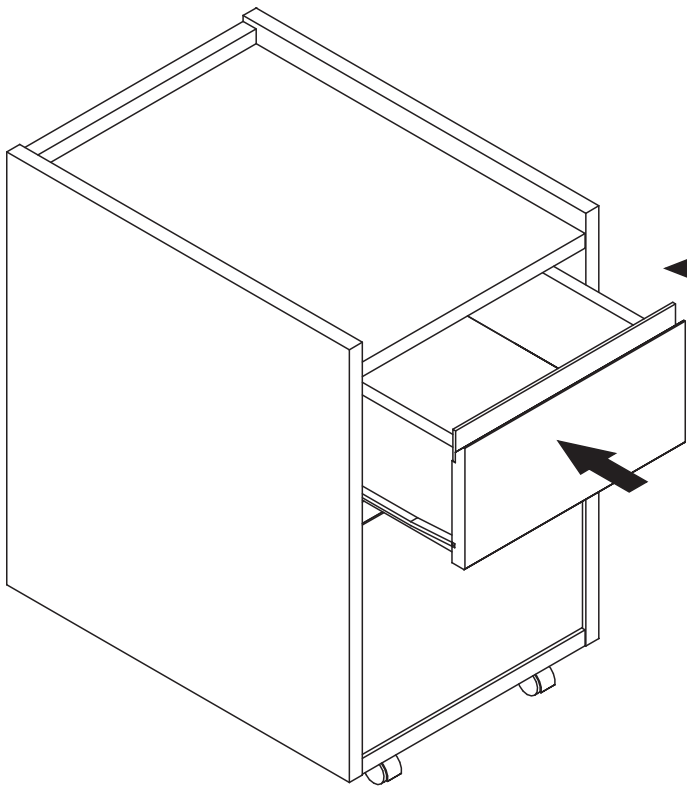
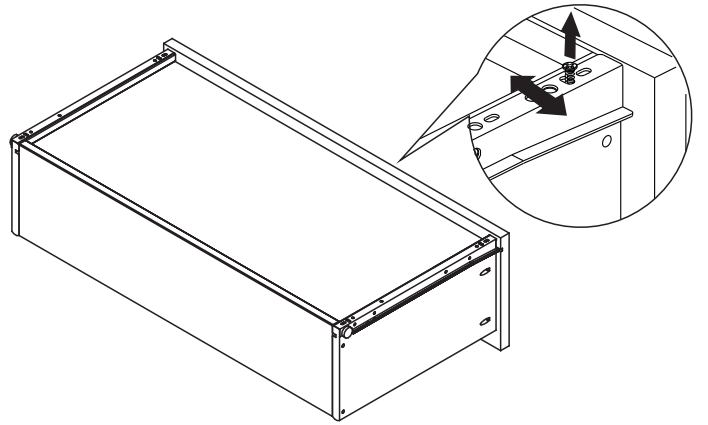
A≠B



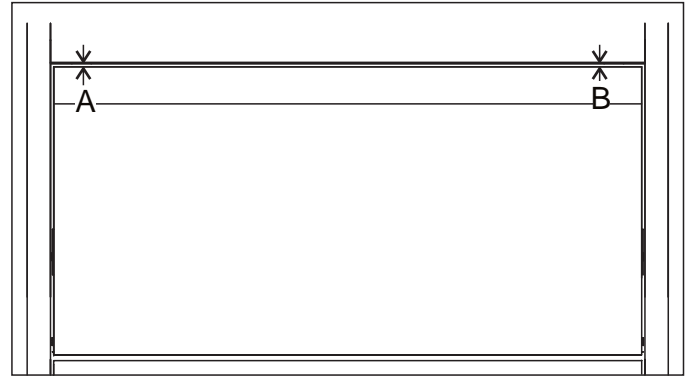
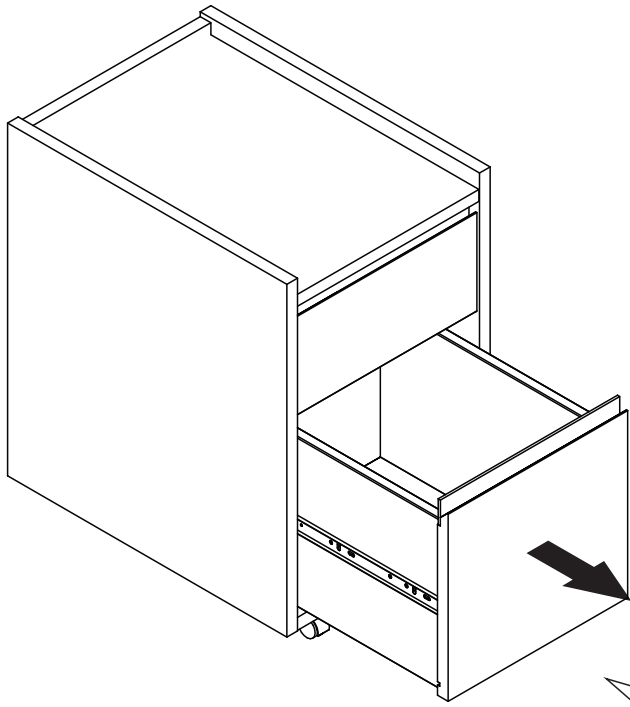
A=B



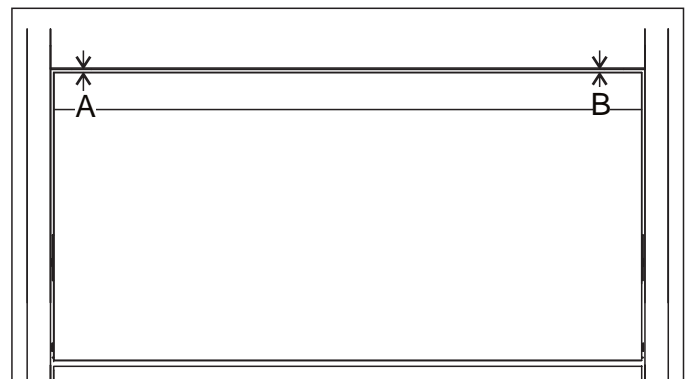
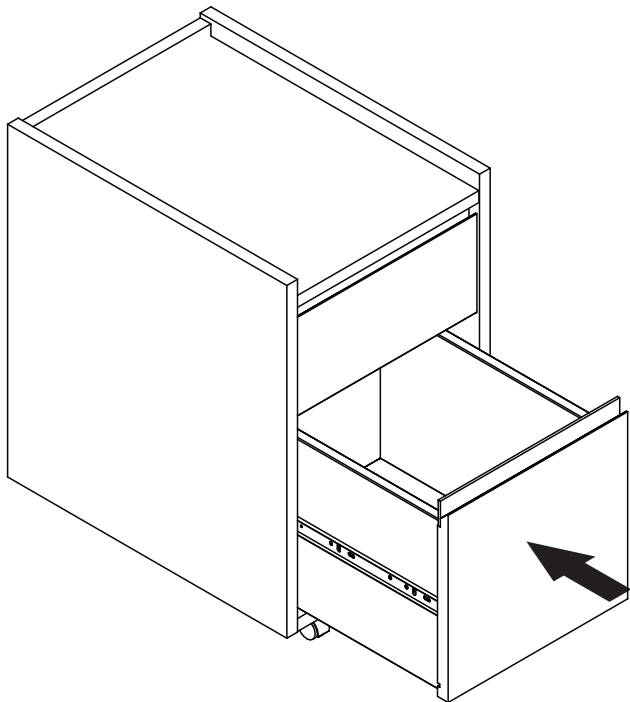
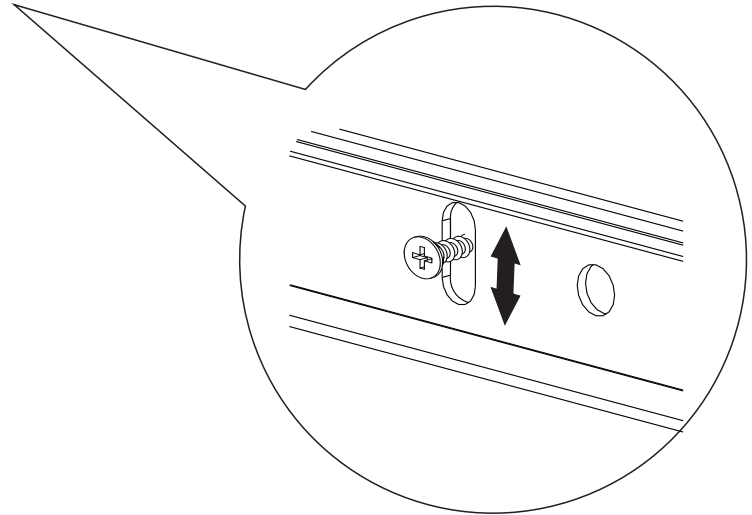
A≠B



A=B



A≠B



A=B