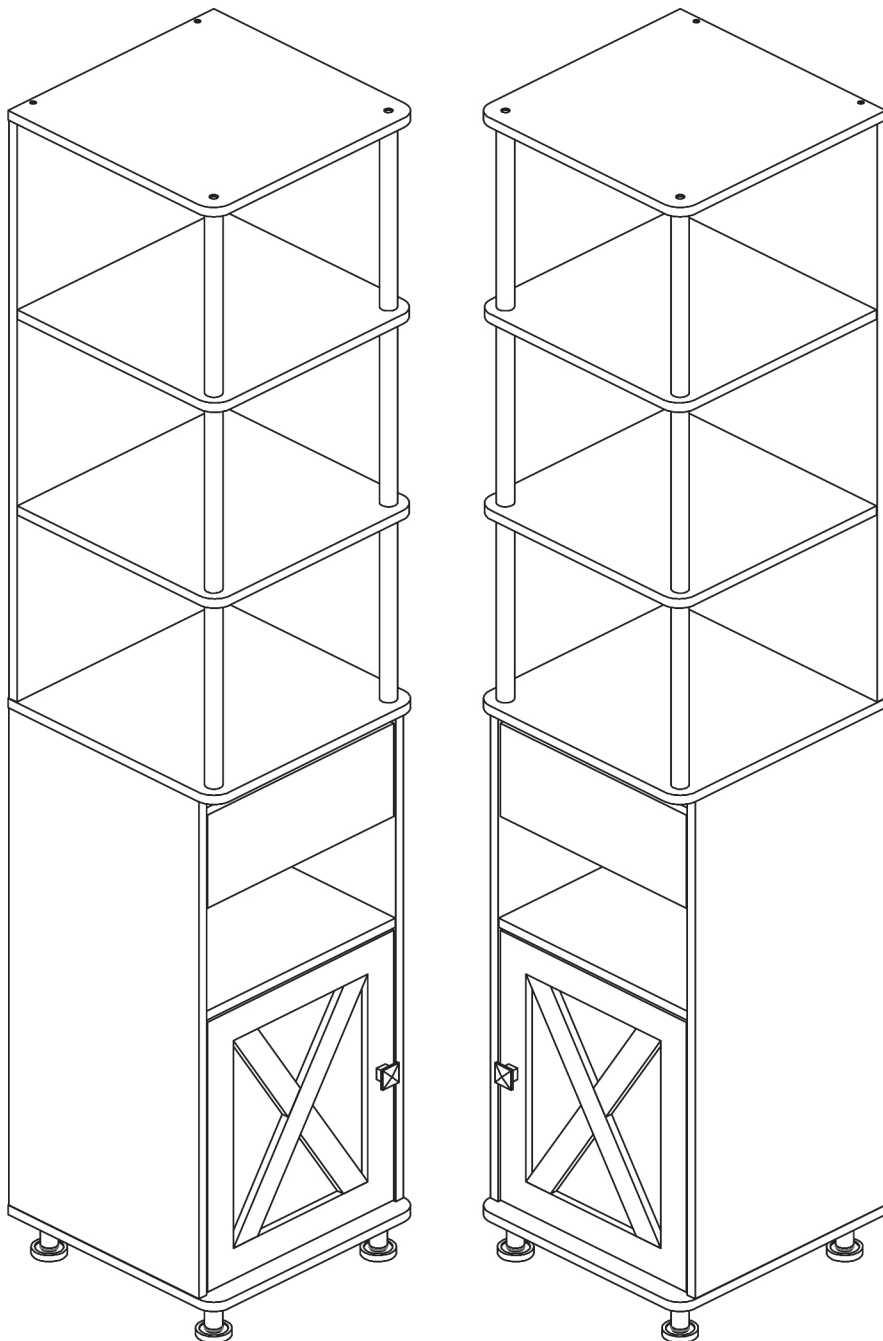


ASSEMBLY INSTRUCTIONS



TOOLS REQUIRED



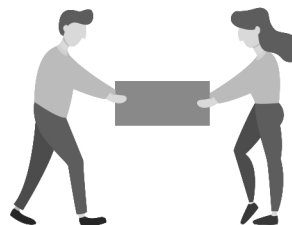
Hammer

(Not Included)



**Philips
Screwdriver**

(Not Included)



**2 - People
Recommended**

ASSEMBLY RATING



EASY —————> DIFFICULT

The Assembly Rating is a 5-point system showing the level of effort needed to assemble a specific product.



CHECK BEFORE STARTING



Are you missing anything?

Double-check all parts, hardware and accessories listed are all accounted for.



Should we send any replacements?

Are there any irregularities or flaws in the parts? We can send replacements!



Check out our Quick Tips!

We recommend reviewing the pre-assembly handouts. Even experts need a refresher now and then!

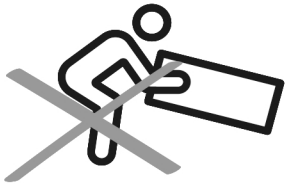


Prep Time!

Please review the assembly instructions and all diagrams prior to assembling. Arrange parts as recommended on Page 7 and group identical hardware together to make assembling easier.

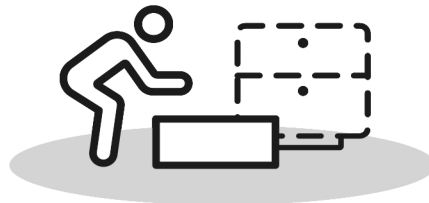
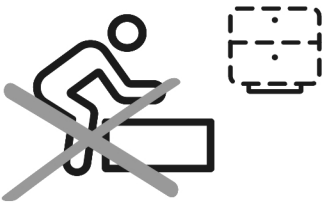
PRE ASSEMBLY INTRODUCTION

We understand building ready-to-assemble furniture can be a challenging experience for some. To help avoid confusion, we have provided some helpful tips that may speed up the process.



Teamwork

ALWAYS have at least two people to help with transporting and assembling the product to avoid potential injury and/or damage.



Suitable Location

Assembling near the area of the intended location is highly recommended.



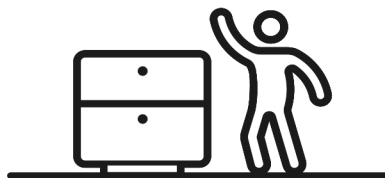
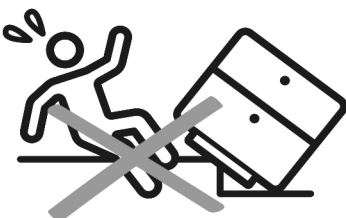
Sufficient Space

Make sure you have enough space to move around during the assembly.



Avoid Scratches

Use cardboard, blankets or a carpeted area while assembling furniture to prevent scratches.



Flat Surface

Make sure the furniture rests on a flat and level surface with each leg evenly touching the floor.

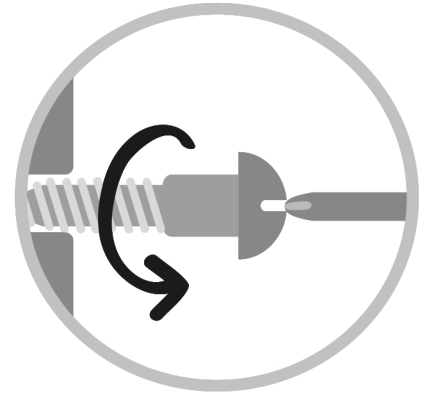
ASSEMBLY AND CARE ADVICE



**FAILURE TO FOLLOW THE GUIDELINES BELOW MAY
RESULT IN INJURY AND/OR PROPERTY DAMAGE.**



Position each part correctly
and insert screws or bolts into
their respective holes.



Turn clockwise to tighten and
only tighten when step is
completed or when instructed
to do so.



Use the appropriate hand tools
or power tools for assembly.
Select steps, such as tightening
screws and/or bolts, may require
hand tools to avoid causing
damage during assembly.



Save the instructions and store
any supplied tools for later
maintenance.



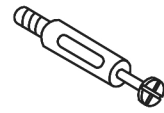
After two weeks, check and
tighten any loose hardware and
repeat again every six months
thereafter.

IT IS THE USER'S RESPONSIBILITY TO MAINTAIN THE FURNITURE. THE HARDWARE MAY LOOSEN OVER TIME AND MAY CAUSE THE FURNITURE TO BE WOBBLY AND UNABLE TO SUPPORT ITS INTENDED WEIGHT CAPACITY. THIS MAY LEAD TO COLLAPSE AND MAY CAUSE SERIOUS INJURY.

CAM LOCK FASTENER ASSEMBLY INSTRUCTIONS

Note :

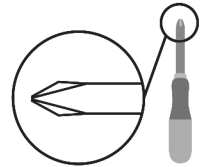
Every cam lock bolt must have a cam lock connector in order to fasten the parts together.



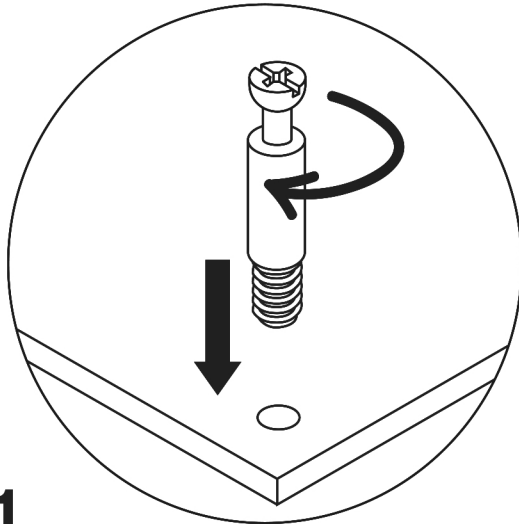
cam bolt



cam lock

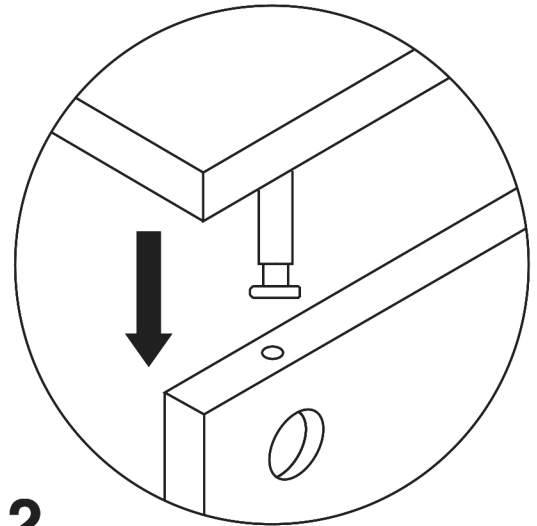


screwdriver



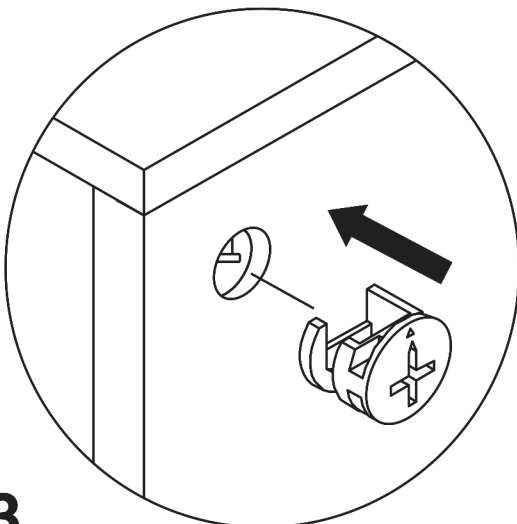
1

Screw the cam bolt into panel.



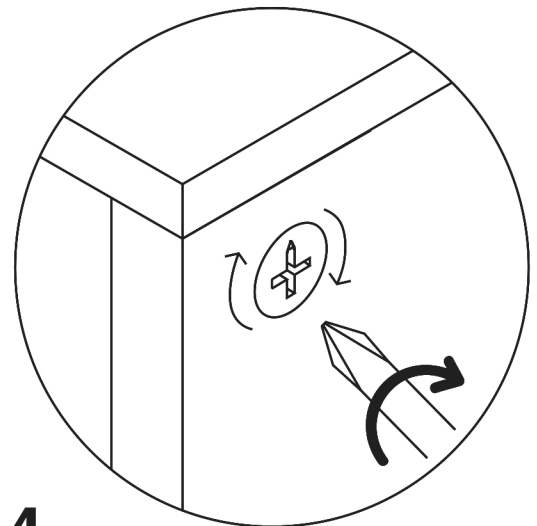
2

Insert the cam bolt into the bolt hole of joint panel.



3

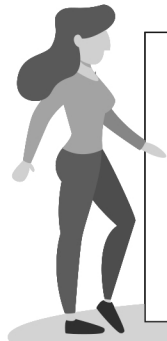
Align the cam lock with its side opening (or arrow) pointing to cam bolt.



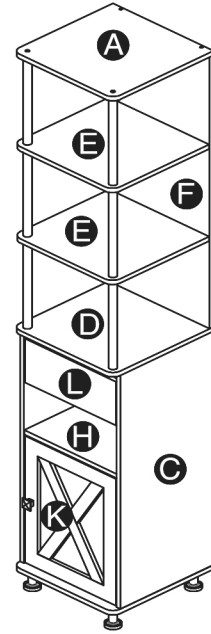
4

Turn the cam lock clockwise gently until it will not turn any more.

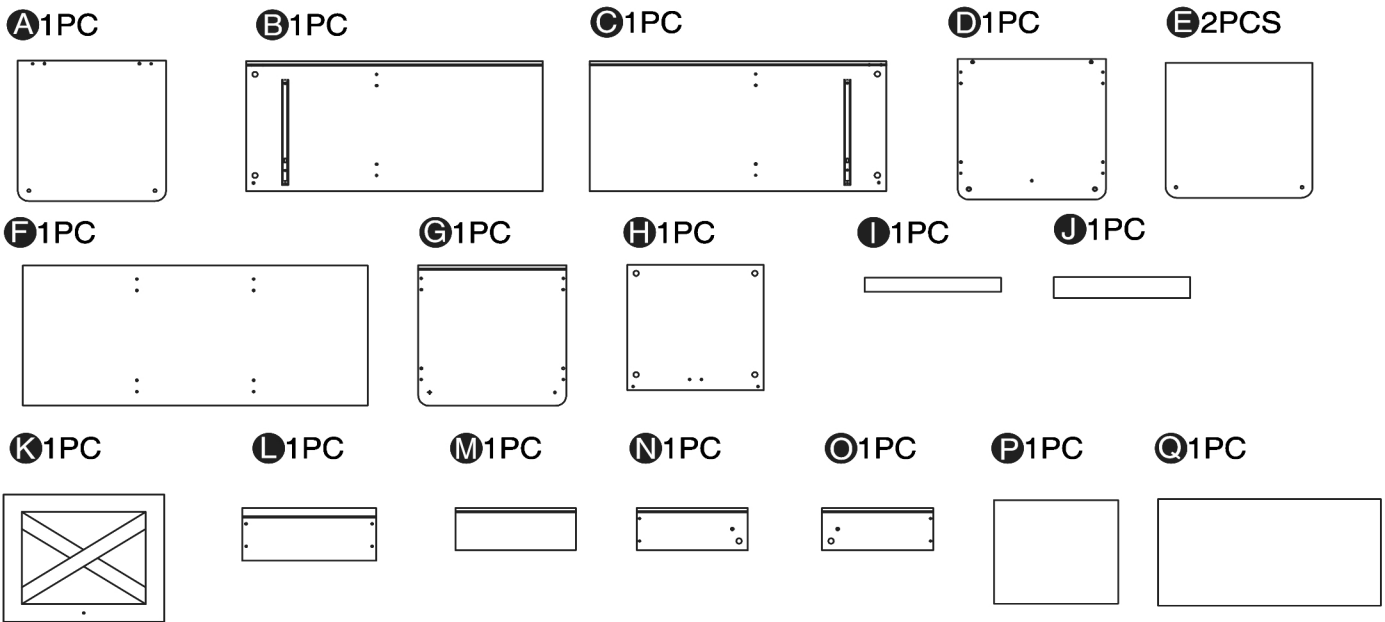
TV TOWER



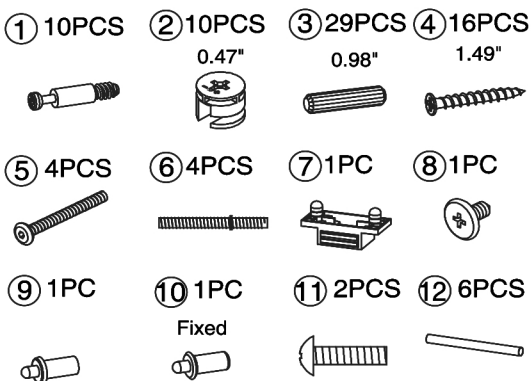
- Please keep instructions for future reference.
- Check the quantity and irregularity of parts and hardware before you start.



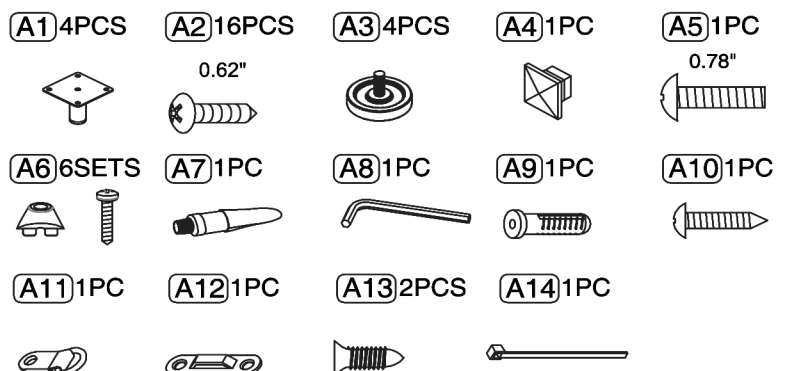
PARTS



HARDWARE



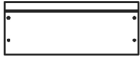
ACCESSORIES



GET READY

Please group boards as below.

L1PC



M1PC



N1PC



O1PC



P1PC



Drawer

B1PC



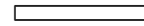
C1PC



H1PC



I1PC



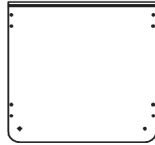
J1PC



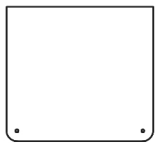
Q1PC



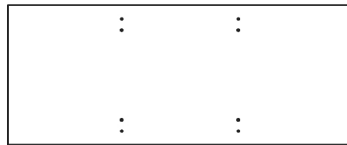
G1PC



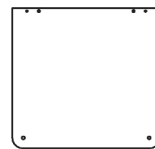
E2PCS



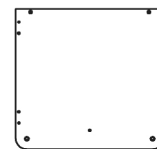
F1PC



A1PC

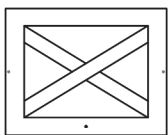


D1PC



Body

K1PC



Doors

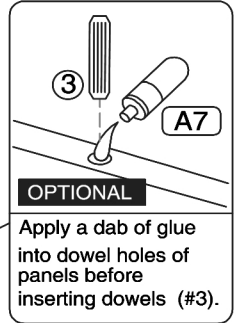
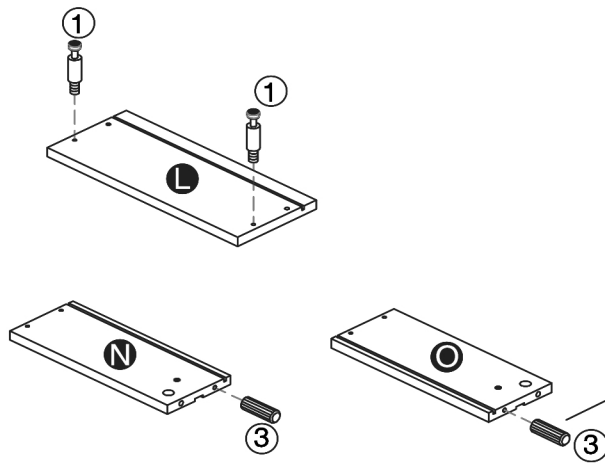
ASSEMBLY INSTRUCTIONS

1

Hardware ① x 2PCS

Hardware ③ x 2PCS

Accessory (A7) x 1PC



2

Part L x1PC

Part M x1PC

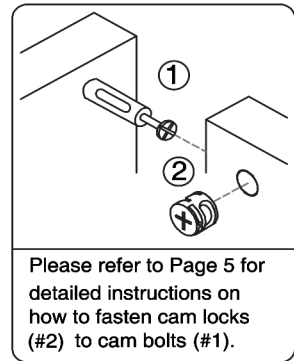
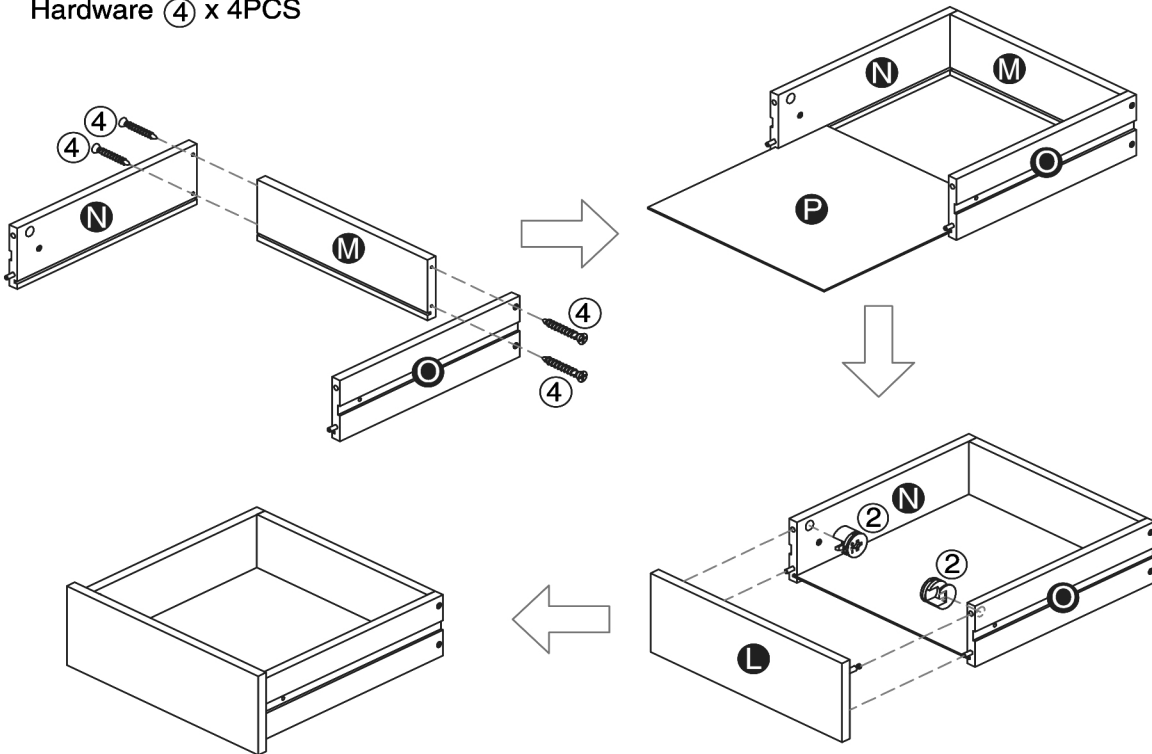
Part N x1PC

Part O x1PC

Part P x1PC

Hardware ② x 2PCS

Hardware ④ x 4PCS



ASSEMBLY INSTRUCTIONS

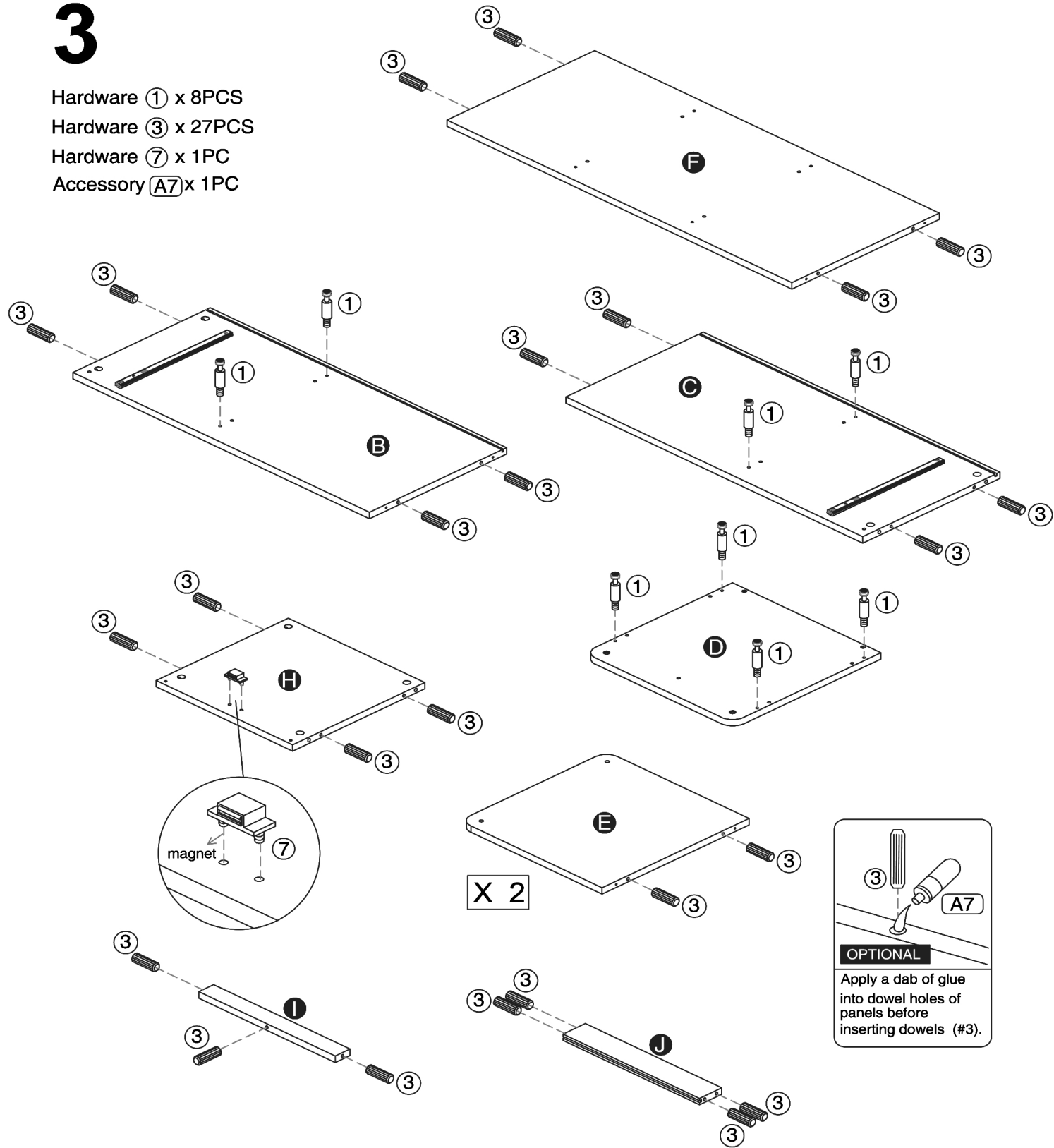
3

Hardware ① x 8PCS

Hardware ③ x 27PCS

Hardware ⑦ x 1PC

Accessory A7 x 1PC



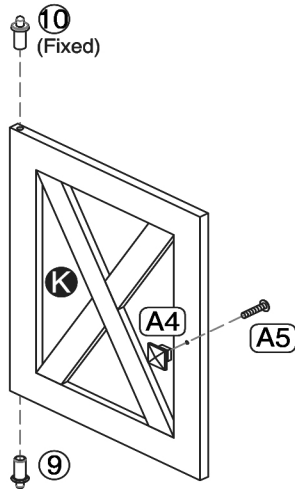
OPTIONAL

Apply a dab of glue into dowel holes of panels before inserting dowels (#3).

ASSEMBLY INSTRUCTIONS

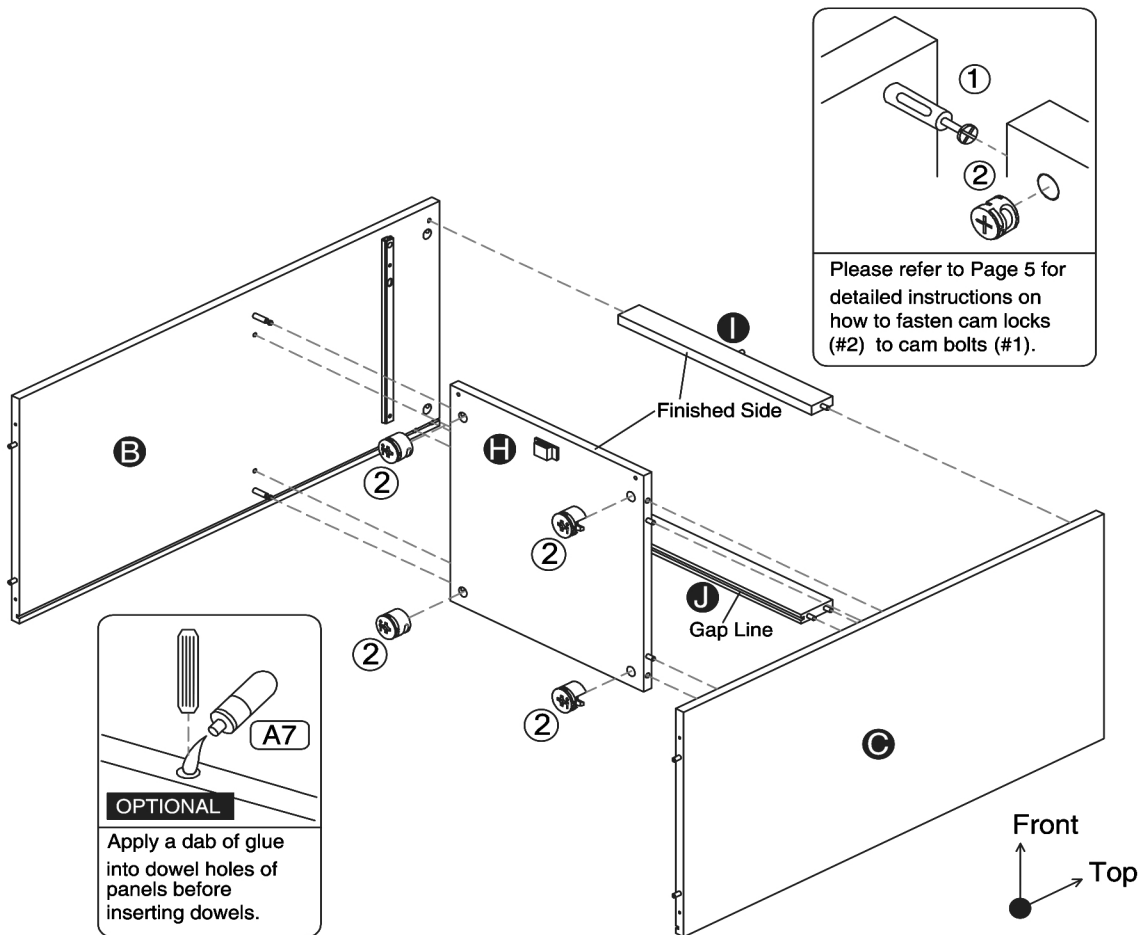
4

- Hardware ⑨ x 1PC
- Hardware ⑩ x 1PC
- Accessory A4 x 1PC
- Accessory A5 x 1PC



5

- Part B x1PC
- Part C x1PC
- Part H x1PC
- Part I x1PC
- Part J x1PC
- Hardware ② x 4PCS
- Accessory A7 x 1PC



Please refer to Page 5 for detailed instructions on how to fasten cam locks (#2) to cam bolts (#1).

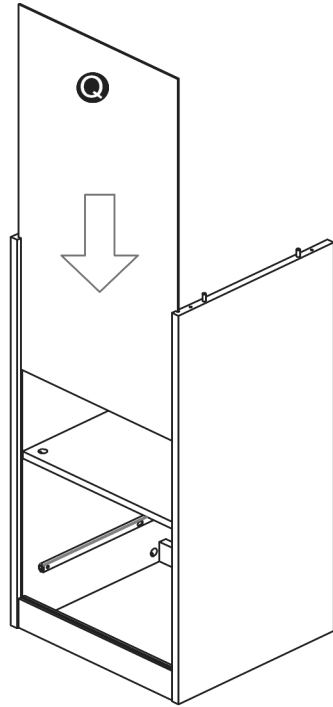
OPTIONAL

Apply a dab of glue into dowel holes of panels before inserting dowels.

ASSEMBLY INSTRUCTIONS

6

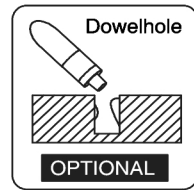
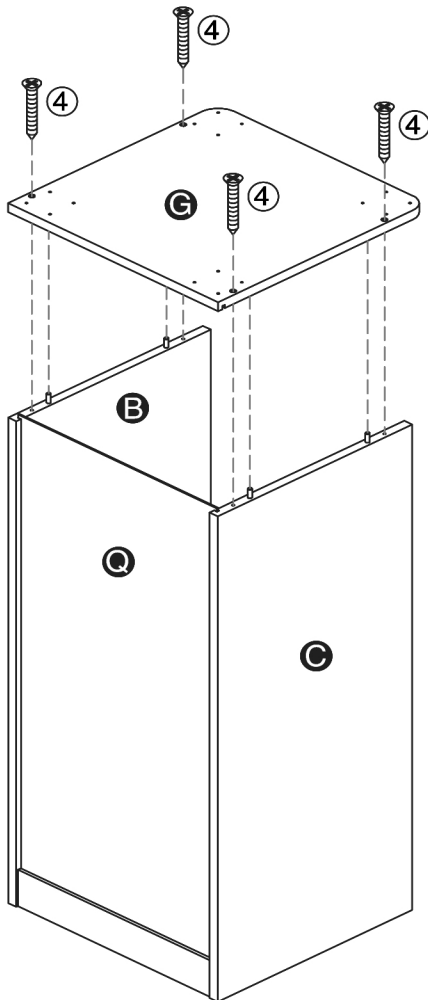
Part **Q** x1PC



Front
Top

7

Part **G** x1PC
Hardware **4** x 4PCS



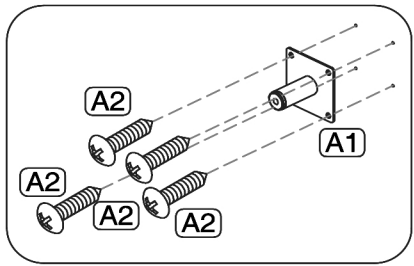
Front
Top

ASSEMBLY INSTRUCTIONS

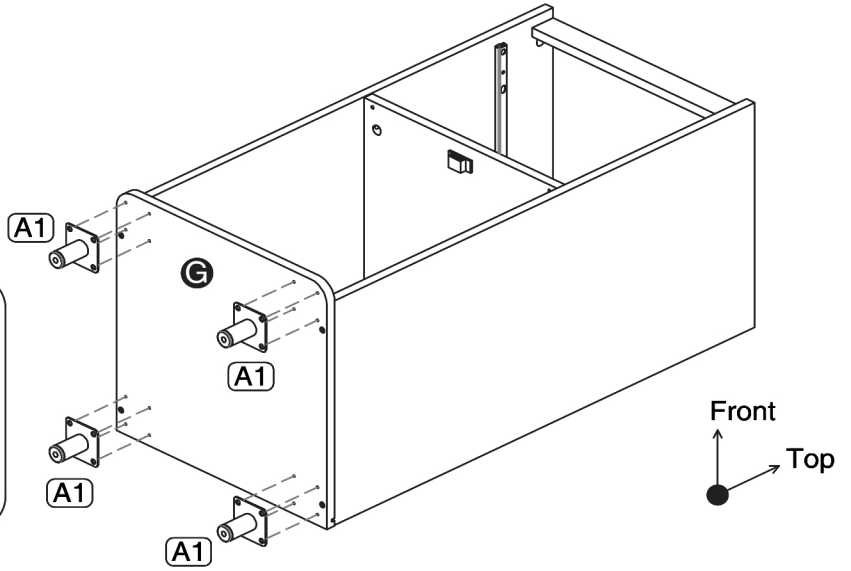
8

Accessory **A1** x 4PCS

Accessory **A2** x 16PCS

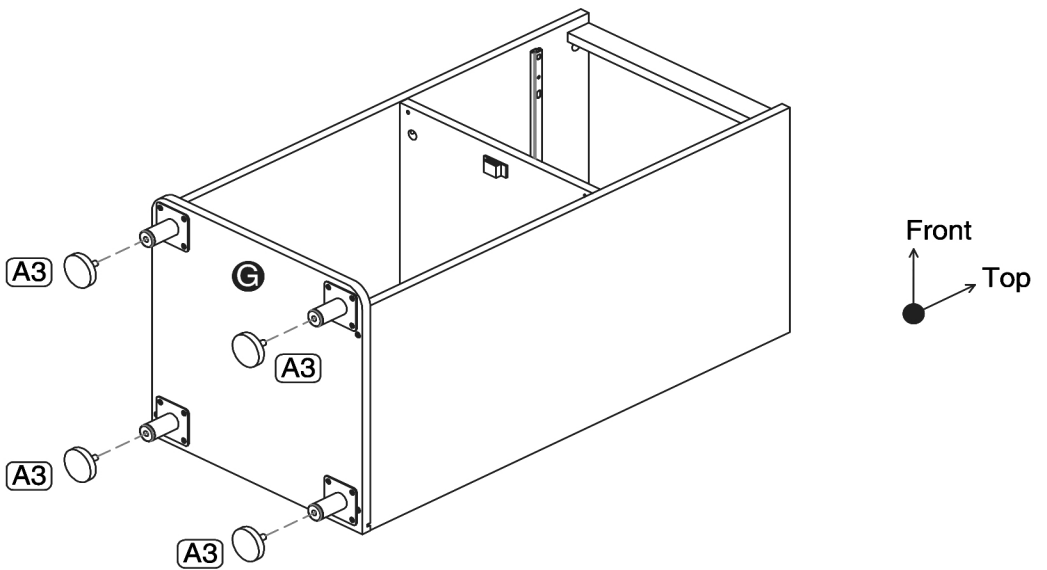


X 4



9

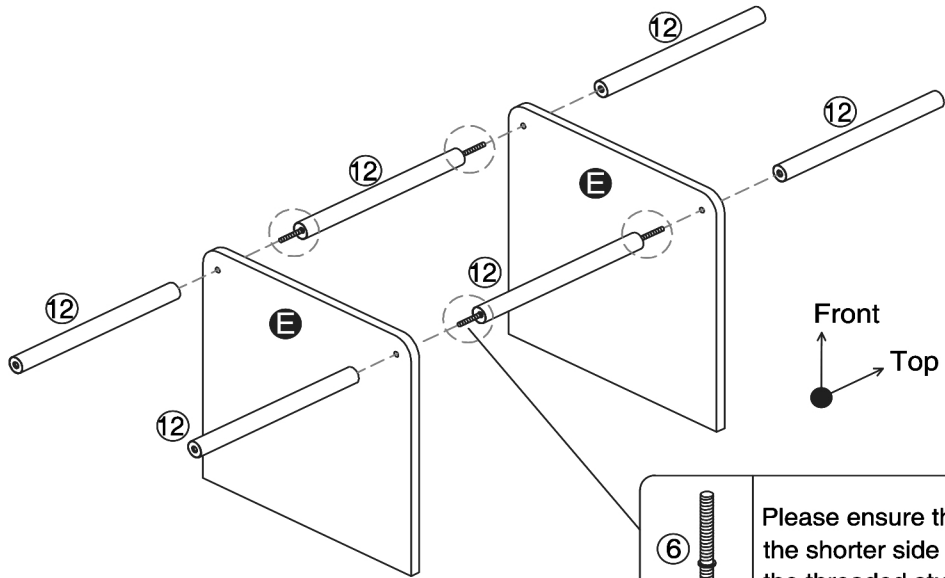
Accessory **A3** x 4PCS



ASSEMBLY INSTRUCTIONS

10

Part **E** x2PCS
Hardware **6** x 4PCS
Hardware **12** x 6PCS

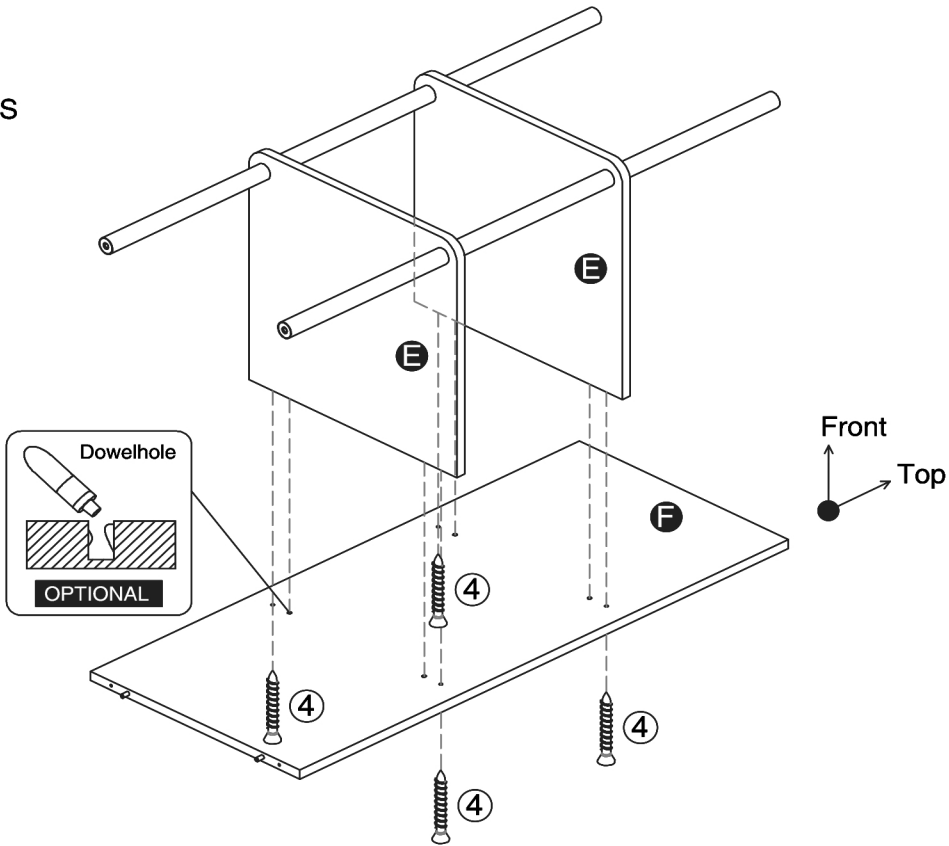


Please ensure that the shorter side of the threaded studs (#6) is attached to poles (#12) as shown in the diagram.

X 4

11

Part **F** x1PC
Hardware **4** x 4PCS



ASSEMBLY INSTRUCTIONS

12

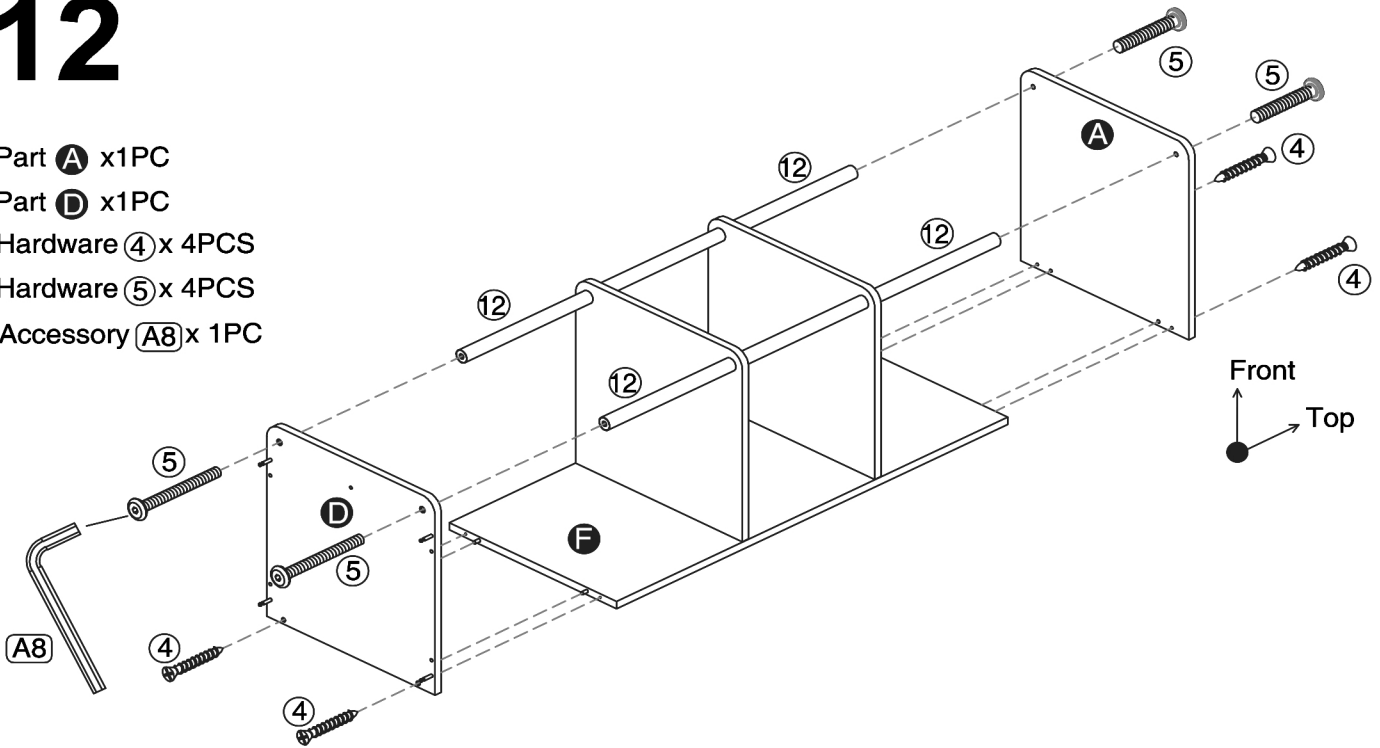
Part **A** x1PC

Part **D** x1PC

Hardware **4** x 4PCS

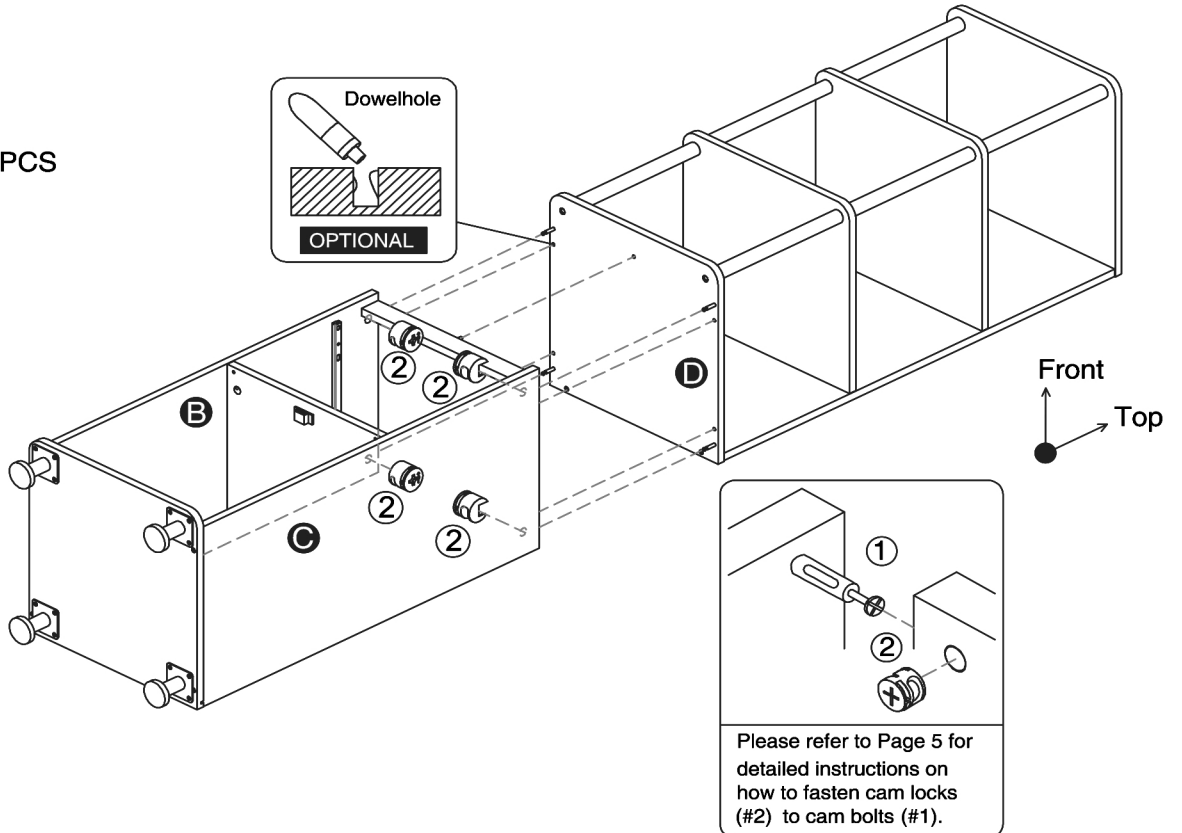
Hardware **5** x 4PCS

Accessory **A8** x 1PC



13

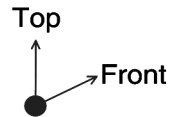
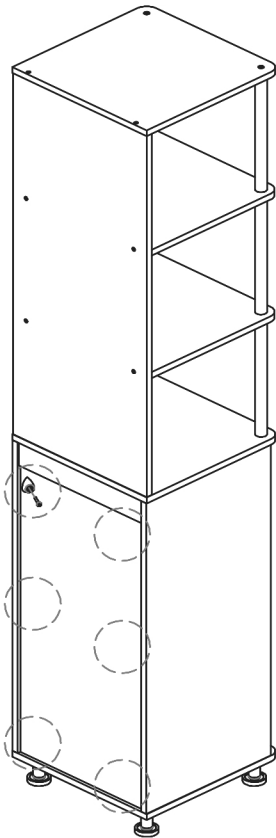
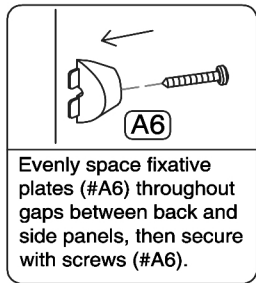
Hardware **2** x 4PCS



ASSEMBLY INSTRUCTIONS

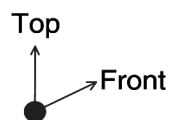
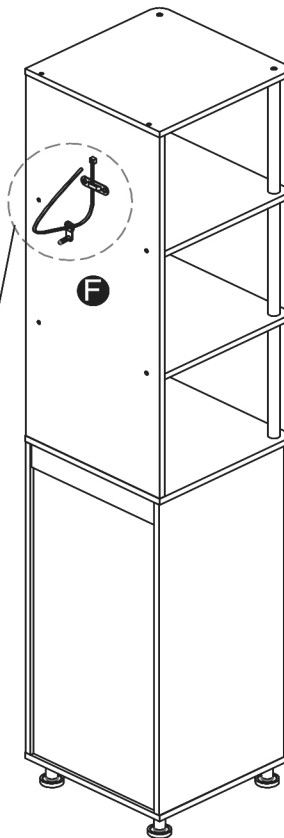
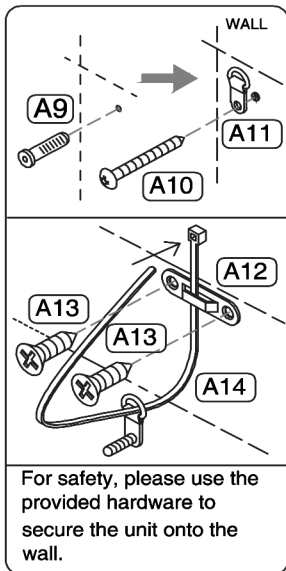
14

Accessory **A6** x 6 SETS



15

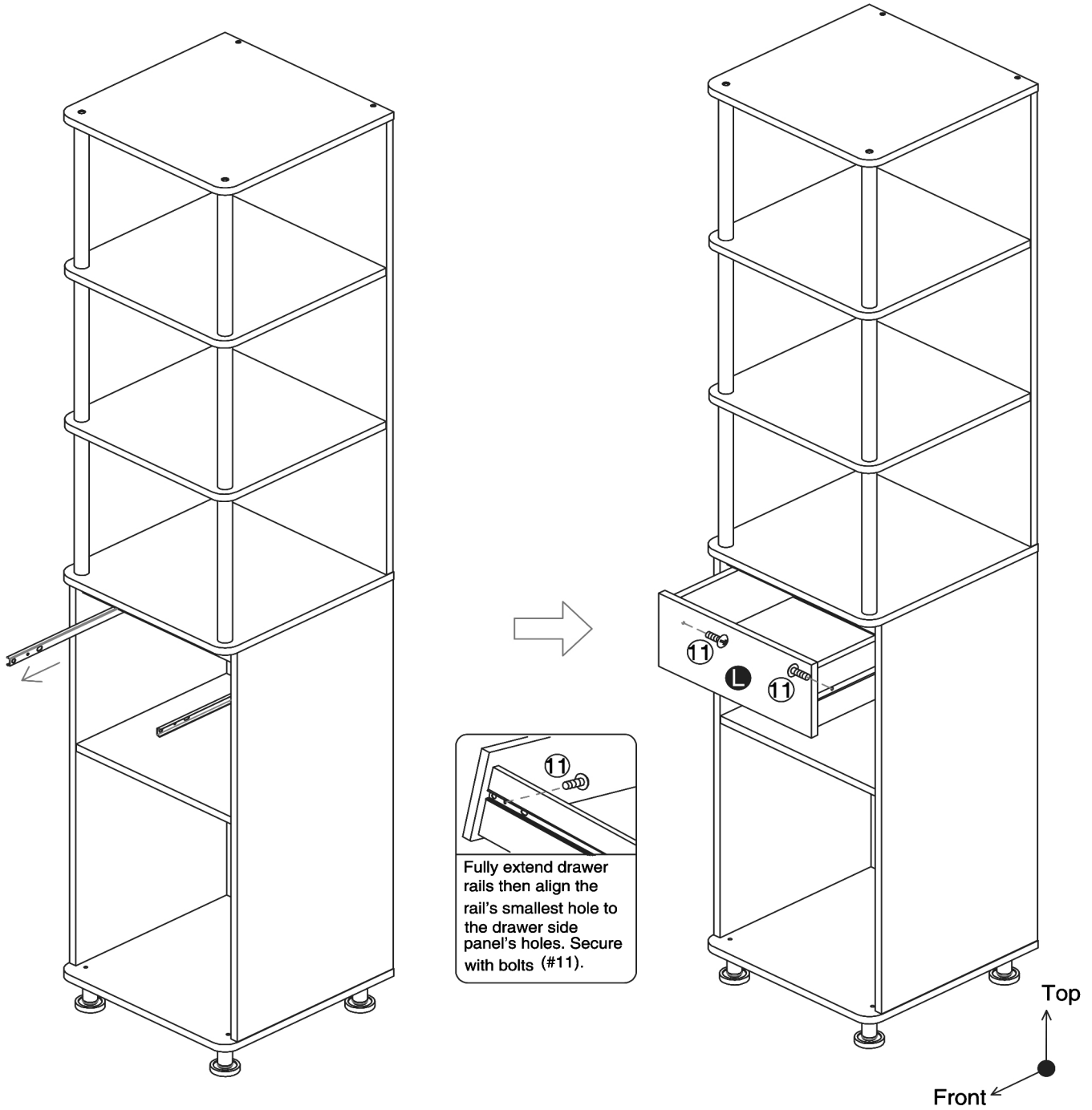
- Accessory **A9** x 1PC
- Accessory **A10** x 1PC
- Accessory **A11** x 1PC
- Accessory **A12** x 1PC
- Accessory **A13** x 2PCS
- Accessory **A14** x 1PC



ASSEMBLY INSTRUCTIONS

16

Hardware ⑪ x 2PCS



ASSEMBLY INSTRUCTIONS

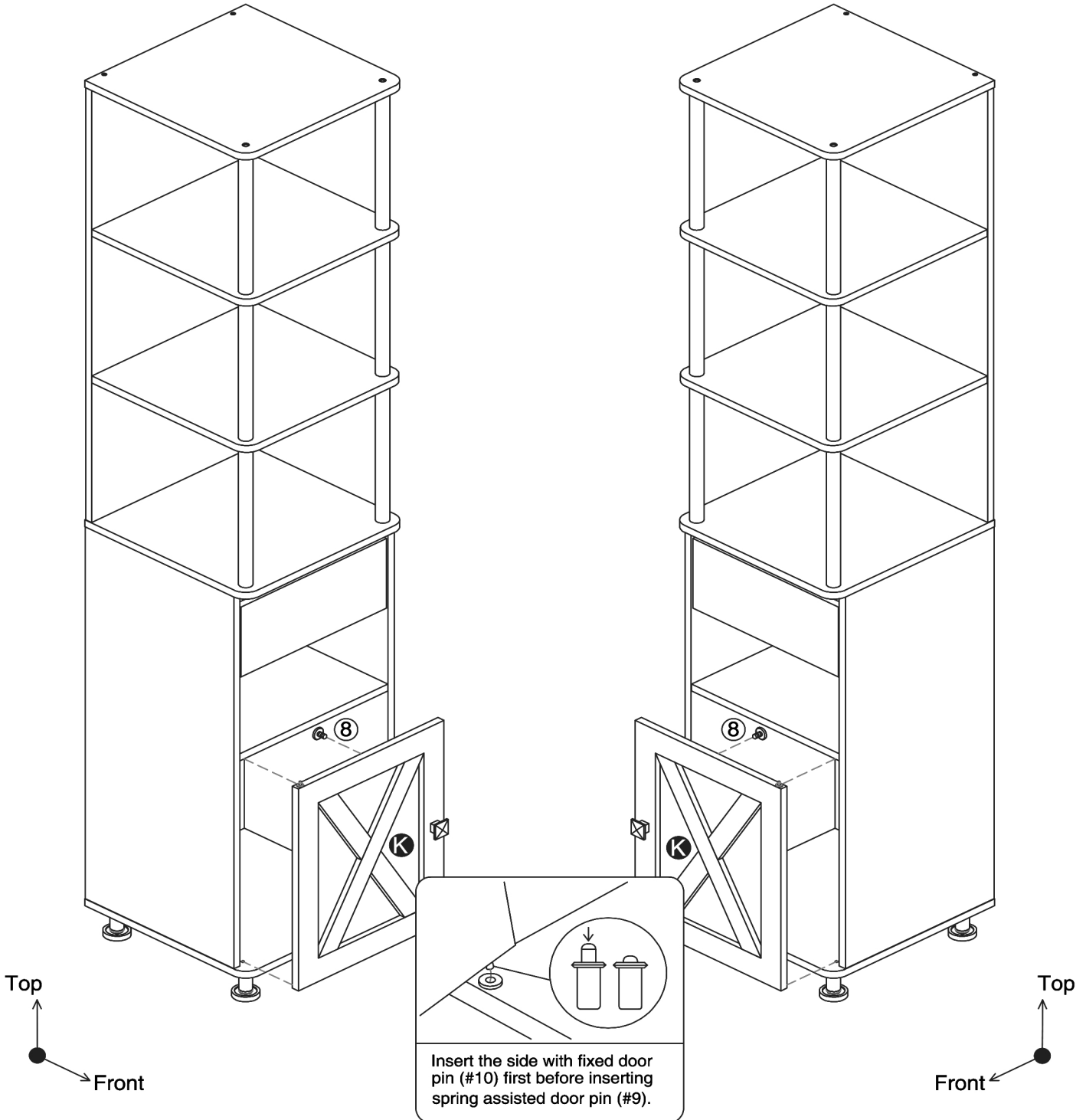
17

Hardware ⑧ x 1PC

Optional: You can have the door open from the left side or the right side. Please ensure that once the doors are locked in place, you may not remove the door to fit it the other way around.

Left -open Door

Right -open Door



18

ASSEMBLY COMPLETED



Please ensure the furniture rests on an even and flat surface. If the product wobbles or feels loose, double-check all bolts and/or screws are properly tightened and secured.

✓ **Keep this handy!**

Please retain this instruction manual and any order-related information for future reference.

✓ **Lift, don't drag!**

To avoid damage to product please always LIFT the product when transporting or adjusting the placement.

