



Capital's handcrafted excellence defines the high end barbecue and grilling category.

The features on our American made barbecues have revolutionised the industry, outperforming the competition with seamless aesthetics bringing unparalleled craftsmanship to your home.



## **2022 Barbecue Range**

**Handcrafted with Precision in California**

[www.capitalbrand.com.au](http://www.capitalbrand.com.au)

## History

Founded in 2001 by Mr. Surjit Kalsi, Capital Cooking's story showcases the importance of providing consumers the highest standards of features and overall quality in a high end market.

Through the innovation and vision of Capital, we have revolutioned the cooking appliance industry with our innovative, ground breaking products . The barbecues, ovens and rangehoods that we handcraft in our own workshops in California, USA are the result of over 60 years of experience of Mr. Kalsi.

In 2011, Mr. Kalsi was inducted in the US National Kitchen and Bath Association Hall of Fame for "changing the face of the appliance industry."

It is this high level of innovation and commitment to the cooking appliance industry which continues to push us to continuing to develop and improve our exemplary products for the worldwide market.





## **Precision & Professional**

All Capital Barbecues are handcrafted by our highly qualified and skilled team in the state of California. We have years of experience and knowledge gained from manufacturing high quality barbecues, and this tradition continues on today.

Capital Barbecues are made of the highest quality 304 grade Stainless Steel and are engineered to deliver the highest quality cooking experience for years to come.

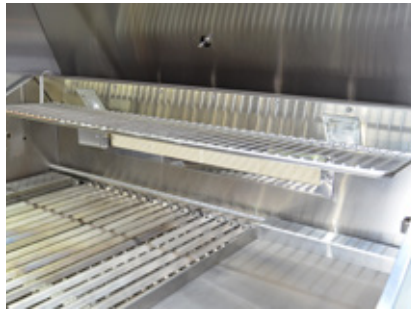
## The Capital Difference - **PRECISION** barbecue features.

Discover the innovative features which help to set our barbecues apart from the rest.



### Quality Hand Crafted Construction

High quality seamless stainless steel product crafted to the highest standards by Capital's expert manufacturing team.



### Removable Warming Rack

Provides additional cooking space and room to cool your perfectly cooked meats before serving. Can be easily removed.



### Smart Drip Tray

Smart drip system which catches fats and oils. Sitting below the grill surface, the tray is supported by a ball bearing slide system and is removable to make it easy to clean.



### Twin-skin Hood

Featuring Lift-Assist technology to provide easy access and reduce energy required to open the hood. The double layered hood reduces heat loss and maintains safe external hood temperatures while minimizing heat discoloration and warping.

**Lift-Assist is a Capital exclusive.**



### Integrated Thermostat

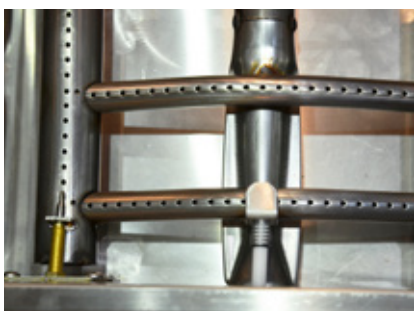
Hood-mounted thermostat helps you keep an eye on the temperature when the lid is closed.



### Ceramic Rods encased in Stainless Steel

Designed to evenly distribute heat across the cooking surface by reducing flare ups and preventing flames from directly reaching food.

**Ceramic Rods encased in Stainless Steel are a Capital exclusive.**



### Flame Failure with Auto Re-ignition

Flame failure with auto re-ignition if flame goes out. This is designed for the highest levels of safety and performance.



### Stainless Steel Flat Plate

12" wide, 10mm thick stainless steel grill plate designed for usage above the 30 Mj Infrared Zone Burner, allowing it to reach extremely high temperatures.

The thickness of the plate helps to make it extremely durable and maintain temperatures for longer whilst evenly distributing heat.

**The 10mm Steel Grill Plate is a Capital exclusive.**



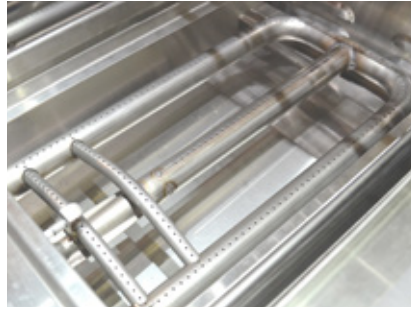
### Two Year Full Warranty

Capital offers a Two Year Full Warranty covering all parts and labour to ensure peace of mind.



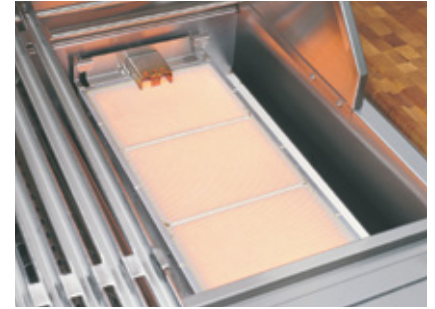
### **Stainless Steel Channel Grates & Optional Smoker Box**

Solid Stainless Steel channeled grates encourage oil drainage and are designed for longer life and reducing flare-ups. The stainless steel smoker box will have you creating deep, smoky flavours in your BBQ. **Easy to use, another Capital exclusive feature.**



### **W-Shaped Burner with Bridge**

Our exclusive 30Mj W-shaped burner is made of 100% stainless steel and is engineered with extra bridging pieces to produce a larger heated area, eliminating coldspots.



### **30Mj Infrared-Zone Burner**

Infrared-Zone Cooking with a 10mm thick stainless steel flat plate gives you a quick sear with high radiant temperatures of up to 1000°C that keeps food tastier and healthier.



### **Heavy Duty Storage Drawers\***

Heavy duty storage drawers to hold all of your essential cooking utensils and ingredients.

*Note: Only available on cart model BBQs  
Drawer setup may vary depending on size and model of BBQ selected*



### **Birchwood Chopping Board**

High quality Capital branded birchwood chopping board included with the purchase of any Capital BBQ.



### **Vinyl Cover**

High quality vinyl cover included with the purchase of any Capital BBQ.

The cover will help to protect your BBQ and keep it clean when not in use.



### **Integrated Halogen Lighting System**

Powerful lighting system strategically located to ensure the best lighting whilst cooking.



### **Die-Cast Knobs & Electronic Ignition**

Die-cast chrome plated knobs with black trim and stainless steel bezels which remain cool to the touch.

Innovative electronic ignition system provides a reliable and consistent source of flame.



### **Flush Mounted Rotisserie with Hidden Motor**

Create mouth-watering, restaurant quality rotisserie meals in your own backyard with the high-powered integrated hidden rotisserie motor which helps to provide a clean look. The stainless steel rod and 2 forks supplied will hold up to a massive 25kg. The rotisserie system boasts a flush mounted infrared burner at the rear of the BBQ.

PRECISION range

## ACG40RBI.1 N/L

40" Built In Open Grill BBQ with Solid Flat Plate



### 4 Burner BBQ

- 2 x 30Mj Rating W-Shaped Precision Burners
  - 1 x 30Mj Infrared Zone Burner
- 1 x 18 Mj Mounted Rear Infrared Rotisserie Burner

Hidden Rotisserie for a Clean Look  
Flame Failure

Stainless Steel Solid Grill Plate (10mm Thick)

Stainless Steel Encased Ceramic Rods

Spring Assisted Lid for Easy Lift

Stainless Steel Channeled Grates for Grease Drainage

Easy Clean Drip Tray with Easy Glide System

Hood-Mounted Thermostat

Removable Warming Rack

2 x Integrated Halogen Lights

Birchwood Chopping Board

Vinyl Cover

Available in both Natural Gas & LPG

Note: For a comprehensive list of features, specifications and dimensions please view the relevant product sheet at [www.capitalbrand.com.au](http://www.capitalbrand.com.au)  
Please ensure that you read the user manual and installation guide before purchasing your Capital BBQ.

**ACG40RFS.1 N/L**

40" Cart Model Open Grill BBQ with Solid Flat Plate

**4 Burner BBQ**

- 2 x 30Mj Rating W-Shaped Precision Burners
  - 1 x 30Mj Infrared Zone Burner
- 1 x 18Mj Mounted Rear Infrared Rotisserie Burner

Hidden Rotisserie for a Clean Look  
Flame Failure

Stainless Steel Solid Grill Plate (10mm Thick)

Stainless Steel Encased Ceramic Rods

Spring Assisted Lid for Easy Lift

Stainless Steel Channeled Grates for Grease Drainage

Easy Clean Drip Tray with Easy Glide System

Hood-Mounted Thermostat

Removable Warming Rack

2 x Integrated Halogen Lights

Birchwood Chopping Board

Vinyl Cover

1 Door & 2 Easy Glide Drawers

Rounded Corners & Seamless Construction

Hidden Castors

Available in both Natural Gas & LPG

PRECISION range

## ACG52RBI.1 N/L

52" Built In Open Grill BBQ with Solid Flat Plate



### 6 Burner BBQ

- 3 x 30Mj Rating W-Shaped Precision Burners
  - 1 x 30Mj Infrared Zone Burner
- 2 x 16Mj Mounted Rear Infrared Rotisserie Burners

Hidden Rotisserie for a Clean Look  
Flame Failure

Stainless Steel Solid Grill Plate (10mm Thick)

Stainless Steel Encased Ceramic Rods

Spring Assisted Lid for Easy Lift

Hood-Mounted Thermostat

Stainless Steel Chanelled Grates for Grease Drainage

Easy Clean Drip Tray with Easy Glide System

Removable Warming Rack

3 x Integrated Halogen Lights

Birchwood Chopping Board

Vinyl Cover

Available in both Natural Gas & LPG

Note: For a comprehensive list of features, specifications and dimensions please view the relevant product sheet at [www.capitalbrand.com.au](http://www.capitalbrand.com.au)  
Please ensure that you read the user manual and installation guide before purchasing your Capital BBQ.



## ACG52RFS.1 N/L

52" Cart Model Open Grill BBQ with Solid Flat Plate



### 6 Burner BBQ

- 3 x 30Mj Rating W-Shaped Precision Burners
  - 1 x 30Mj Infrared Zone Burner
- 2 x 16Mj Mounted Rear Infrared Rotisserie Burners

Hidden Rotisserie for a Clean Look  
Flame Failure

Stainless Steel Solid Grill Plate (10mm Thick)

Stainless Steel Encased Ceramic Rods

Spring Assisted Lid for Easy Lift

Hood-Mounted Thermostat

Stainless Steel Chanelled Grates for Grease Drainage

Easy Clean Drip Tray with Easy Glide System

Removable Warming Rack

3 x Integrated Halogen Lights

Birchwood Chopping Board

Vinyl Cover

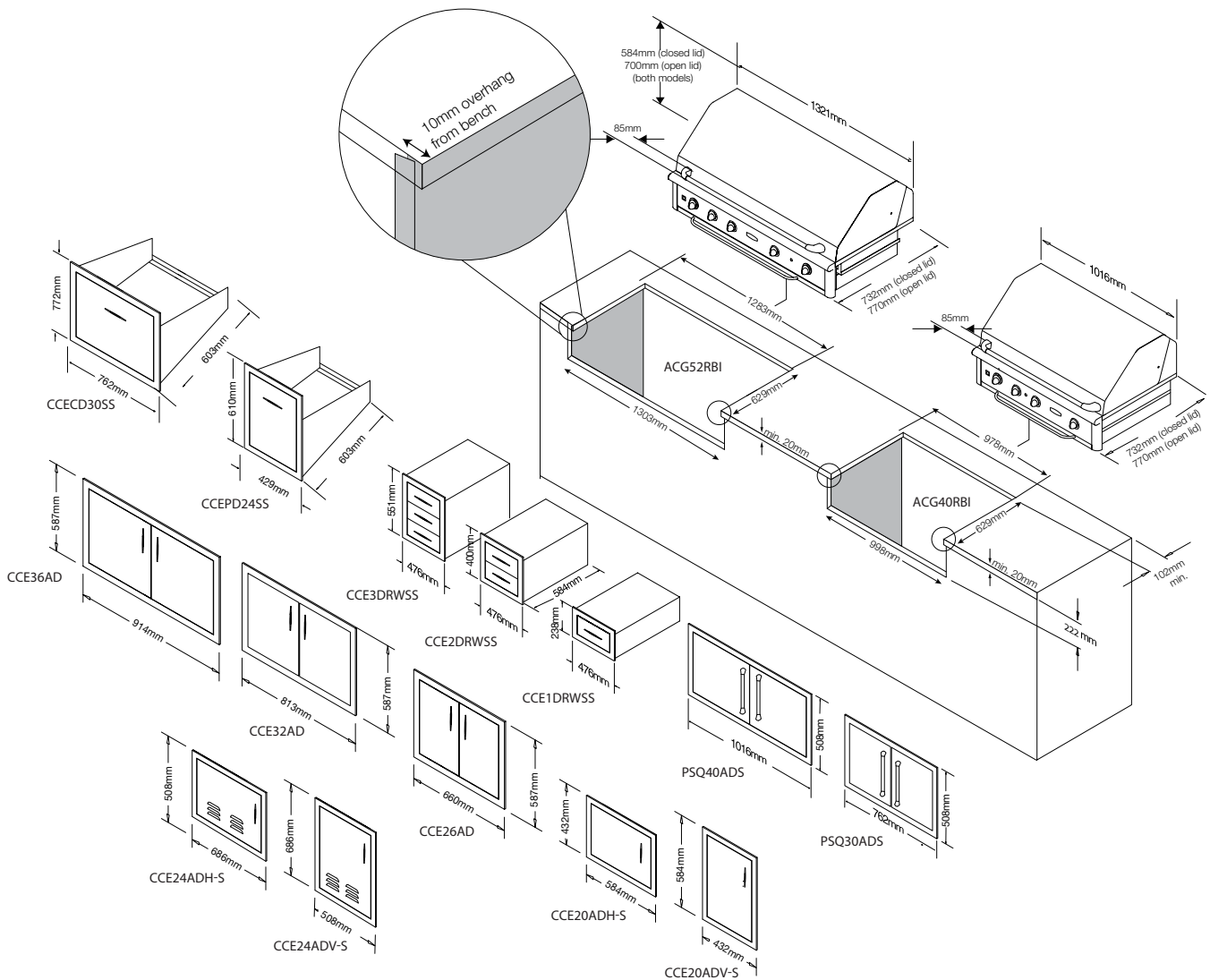
2 Doors & 2 Easy Glide Drawers

Rounded Corners & Seamless Construction

Hidden Castors

Available in both Natural Gas & LPG

# PRECISION Cabinet Preparation



\* Floor base 272mm min. from bottom of benchtop.  
A minimum 50mm clearance is required directly below the barbecue.

Product Dimensions		
	ACG40RBI.1 N/L	ACG52RBI.1 N/L
Height	584mm (lid closed) 912mm (lid open)	584mm (lid closed) 912mm (lid open)
Width	1016mm	1321mm
Depth	720mm (lid closed) 770mm (lid open)	720mm (lid closed) 770mm (lid open)
Cut Out Dimensions		
Height	222mm	222mm
Width	978mm (back), 998mm (front)	1283mm (back), 1303mm (front)
Depth	629mm	629mm
Nominal Gas Consumption		
	ACG40RBI & ACG40RFS	ACG52RBI & ACG52RFS
	108Mj/hr	156Mj/hr

# PRECISION Additional Accessories



## Stainless steel drawers

CCE1DRWSS (1 drawer)  
CCE2DRWSS (2 drawers)  
CCE3DRWSS (3 drawers)

## 30" Double Doors / 40" Double Doors

PSQ30ADS / ACG40ADS

## 24" Single Access Door

PSQ24ADVS

	Product Dimensions			Cut Dimensions	
	Height	Width	Depth	Height	Width
<b>CCE1DRWSS</b>	238 mm	476 mm	584 mm	173 mm	406 mm
<b>CCE2DRWSS</b>	400 mm	476 mm	584 mm	330 mm	406 mm
<b>CCE3DRWSS</b>	551 mm	476 mm	584 mm	483 mm	406 mm
<b>CCE20ADH-S</b>	584mm	432mm		365mm	516mm
<b>CCE20ADV-S</b>	432mm	584mm		518mm	365mm
<b>CCE24ADH-S</b>	686mm	508mm		441mm	618mm
<b>CCE24ADV-S</b>	508mm	686mm		619mm	441mm
<b>CCE26AD</b>	660mm	587mm		518mm	591mm
<b>CCE32AD</b>	813mm	587mm		518mm	743mm
<b>CCE36AD</b>	914mm	587mm		518mm	845mm
<b>CCECD30SS</b>	762mm	772mm	603mm	445mm	699mm
<b>CCEPD24SS</b>	429mm	610mm	603mm	540mm	362mm
<b>PSQ24ADVS</b>	689 mm	609 mm		609 mm	432 mm
<b>PSQ30ADVS</b>	508 mm	762 mm		514 mm	690 mm
<b>PSQ40ADVS</b>	508 mm	1016 mm		514 mm	945 mm

## Cart model barbecue dimensions

	Product Dimensions	
	ACG40RFS.1 N/L	ACG52RFS.1 N/L
Height	1272 mm (closed) / 1600 mm (open)	1272 mm (closed) / 1600 mm (open)
Width	1930 mm	2235 mm
Depth	736 mm (closed) / 774 mm (open)	736 mm (closed) / 774 mm (open)

\* 10 AMP GPO required

\* All units have a flexible hose from the rear right hand side of the BBQ.

\* All units have the power box connectors 100mm in from the rear left hand side of the BBQ.

\* **IMPORTANT:** Due to the rotisserie pulley system, an additional 15mm clearance is required in width under the bench top on the left hand side of the unit.  
See diagram (previous page).

PROGRILL range

## PRO32BRI N/L

32" Built In Open Grill BBQ with Solid Flat Plate



### 3 Burner PROGRILL32 BBQ

- 2 x Precision 20.6Mj Burners
- 1 x 13Mj Infrared Rotisserie Burner

Infrared rotisserie features high capacity motor and 2 rotisserie forks provided  
10 AMP GPO required for rotisserie.  
Flame Failure

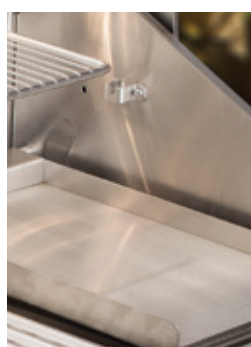
Stainless Steel teppanyaki grill plate included as standard.  
Piezo Ignition  
Twin skin stainless steel lid  
Hood-Mounted Thermostat  
Vinyl Cover

Available in both Natural Gas & LPG (must be ordered to suit gas)

### PROGRILL FEATURES



Precision 20.6Mj  
burners



Stainless steel  
teppanyaki  
grill plate



Rotisserie included



Stainless steel  
radiant trays and  
grill racks



Chrome plated  
knobs

Note: For a comprehensive list of features, specifications and dimensions please view the relevant product sheet at [www.capitalbrand.com.au](http://www.capitalbrand.com.au)  
Please ensure that you read the user manual and installation guide before purchasing your Capital BBQ.

# PRO36BRI N/L

36" Built In Open Grill BBQ with Solid Flat Plate



## 4 Burner PROGRILL36 BBQ

- 3 x Precision 20.6Mj Burners
- 1 x 13Mj Infrared Rotisserie Burner

Infrared rotisserie features a high capacity motor and 2 rotisserie forks provided  
10 AMP GPO required for rotisserie.  
Flame Failure

Stainless Steel teppanyaki grill plate included as standard.  
Electronic Ignition (AA Batteries)  
Twin skin stainless steel lid  
Hood-Mounted Thermostat  
Vinyl Cover

Available in both Natural Gas & LPG (must be ordered to suit gas)

## PROGRILL FEATURES



**Precision 20.6Mj  
burners**



**Stainless steel  
teppanyaki  
grill plate**



**Rotisserie included**



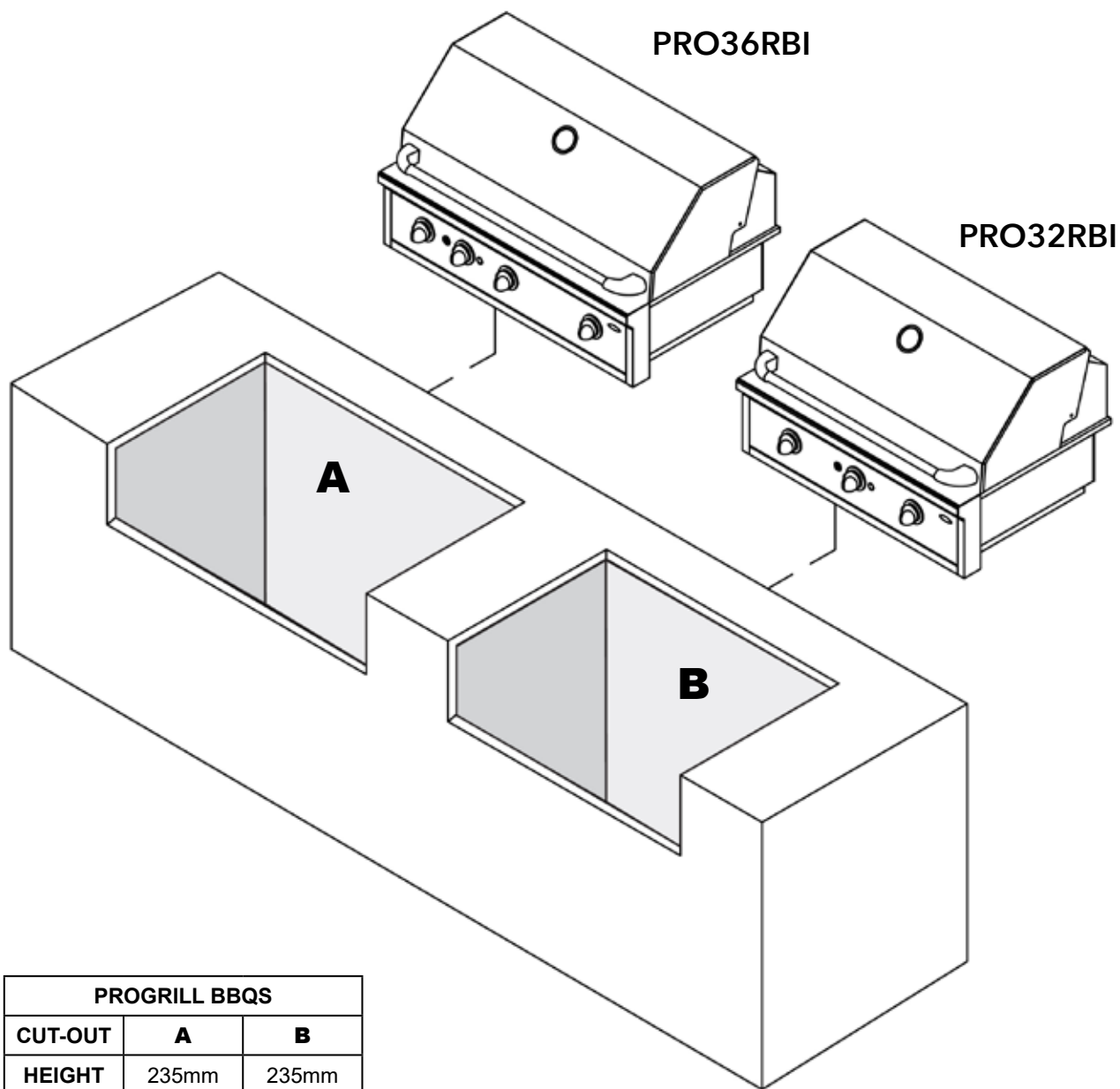
**Stainless steel  
radiant trays and  
grill racks**



**Chrome plated  
knobs**

Note: For a comprehensive list of features, specifications and dimensions please view the relevant product sheet at [www.capitalbrand.com.au](http://www.capitalbrand.com.au)  
Please ensure that you read the user manual and installation guide before purchasing your Capital BBQ.

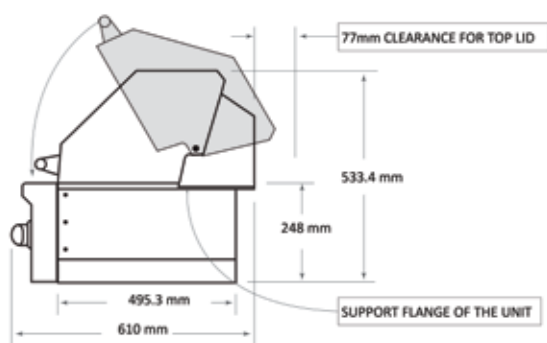
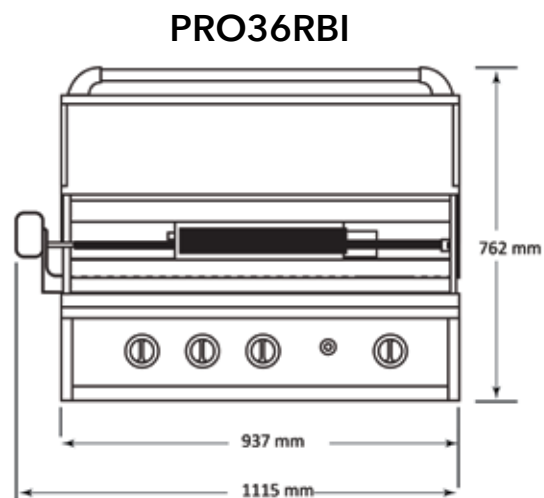
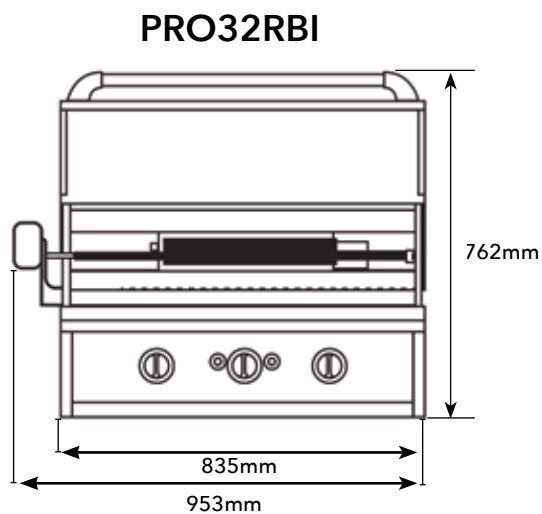
# PROGRILL Cabinet Preparation



PROGRILL BBQS		
CUT-OUT	A	B
HEIGHT	235mm	235mm
WIDTH	902mm	800mm
DEPTH	489mm	489mm

Min. 50mm clearance

# PROGRILL Specifications



Product Dimensions		
	PRO32RBI	PRO36RBI
Height	533.4mm (lid closed) 762mm (lid open)	533mm (lid closed) 762mm (lid open)
Width	835mm 953mm (with rotisserie motor)	937mm 1115mm (with rotisserie motor)
Depth	610mm	610mm
Cut Out Dimensions		
Height	235mm	235mm
Width	800mm	902mm
Depth	489mm	489mm
Nominal Gas Consumption		
	PRO32RBI	PRO36RBI
	54.98 Mj/hr	78.51 Mj/hr
LPG Consumption		
	PRO32RBI	PRO36RBI
	54.21 Mj/hr	77.22 Mj/hr



**ARISIT PTY LIMITED** (Australia)

ABN 23 091 515 294

40-50 Mark Anthony Drive  
Dandenong South VIC 3175

**P:** Sales: 1300 762 219

**F:** Sales & Service (03) 9768 0838

**E:** arisit@arisit.com

**ARISIT PTY LIMITED** (New Zealand)

1A Howe Street Newton, Auckland 1145  
PO Box 68-140 Newton, Auckland 1145

**P:** (09) 306 1020 - Fax: (09) 302 0077

**E:** sales2@aristonappliances.co.nz

[www.arisit.com](http://www.arisit.com)

[www.arisitwarranties.com.au](http://www.arisitwarranties.com.au)

[www.capitalbrand.com.au](http://www.capitalbrand.com.au)

All efforts have been made to ensure that the information provided in this brochure is correct at the time of printing. Due to continuous product improvement and ongoing development, Capital reserves the right to make changes to the products and technical data without prior notice. Some products appearing in this brochure may be for illustrative purposes only. Diagrams are indicative measures only. Prior to commencing cabinetry cutouts the latest product sheets and operating and installation instructions accompanying the product must be referred to.