



Capital's handcrafted excellence defines the high end barbecue and grilling category.

The features on our American made barbecues have revolutionised the industry, outperforming the competition with seamless aesthetics bringing unparalleled craftsmanship to your home.



2024 Barbecue Range

Handcrafted with Precision in California

www.capitalbrand.com.au

History

Founded in 2001 by Mr. Surjit Kalsi, Capital Cooking's story showcases the importance of providing consumers the highest standards of features and overall quality in a high end market.

Through the innovation and vision of Capital, we have revolutioned the cooking appliance industry with our innovative, ground breaking products . The barbecues, ovens and rangehoods that we handcraft in our own workshops in California, USA are the result of over 60 years of experience of Mr. Kalsi.

In 2011, Mr. Kalsi was inducted in the US National Kitchen and Bath Association Hall of Fame for "changing the face of the appliance industry."

It is this high level of innovation and commitment to the cooking appliance industry which contrinues to push us to continuing to develop and improve our exemplary products for the worldwide market.





Precision & Professional

All Capital Barbecues are handcrafted by our highly qualified and skilled team in the state of California. We have years of experience and knowledge gained from manufacturing high quality barbecues, and this tradition continues on today.

Capital Barbecues are made of the highest quality 304 grade Stainless Steel and are engineered to deliver the highest quality cooking experience for years to come.

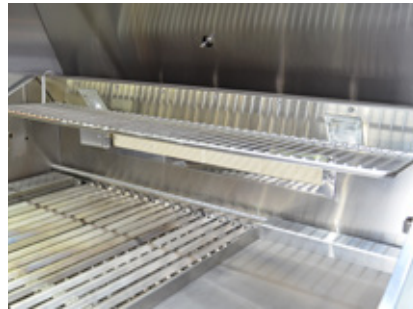
The Capital Difference - **PRECISION** barbecue features.

Discover the innovative features which help to set our barbecues apart from the rest.



Quality Hand Crafted Construction

High quality seamless stainless steel product crafted to the highest standards by Capital's expert manufacturing team.



Removable Warming Rack

Provides additional cooking space and room to cool your perfectly cooked meats before serving. Can be easily removed.



Smart Drip Tray

Smart drip system which catches fats and oils. Sitting below the grill surface, the tray is supported by a ball bearing slide system and is removable to make it easy to clean.



Twin-skin Hood

Featuring Lift-Assist technology to provide easy access and reduce energy required to open the hood. The double layered hood reduces heat loss and maintains safe external hood temperatures while minimizing heat discoloration and warping.

Lift-Assist is a Capital exclusive.



Integrated Thermostat

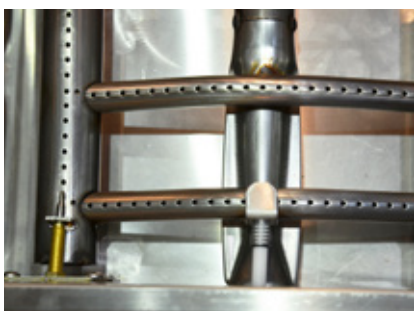
Hood-mounted thermostat helps you keep an eye on the temperature when the lid is closed.



Ceramic Rods encased in Stainless Steel

Designed to evenly distribute heat across the cooking surface by reducing flare ups and preventing flames from directly reaching food.

Ceramic Rods encased in Stainless Steel are a Capital exclusive.



Flame Failure with Auto Re-ignition

Flame failure with auto re-ignition if flame goes out. This is designed for the highest levels of safety and performance.



Stainless Steel Flat Plate

12" wide, 10mm thick stainless steel grill plate designed for usage above the 30 Mj Infrared Zone Burner, allowing it to reach extremely high temperatures.

The thickness of the plate helps to make it extremely durable and maintain temperatures for longer whilst evenly distributing heat.

The 10mm Steel Grill Plate is a Capital exclusive.



Two Year Full Warranty

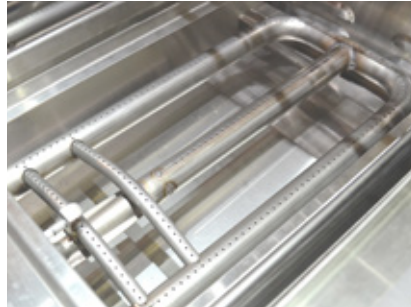
Capital offers a Two Year Full Warranty covering all parts and labour to ensure peace of mind.



Stainless Steel Channel Grates & Optional Smoker Box

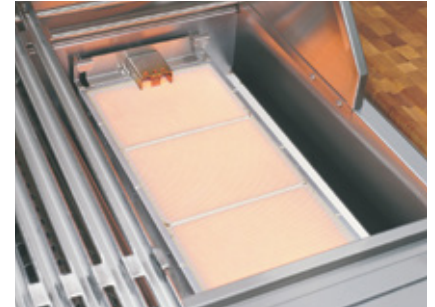
Solid Stainless Steel channeled grates encourage oil drainage and are designed for longer life and reducing flare-ups.

The stainless steel smoker box will have you creating deep, smoky flavours in your BBQ. **Easy to use, another Capital exclusive feature.**



W-Shaped Burner with Bridge

Our exclusive 30Mj W-shaped burner is made of 100% stainless steel and is engineered with extra bridging pieces to produce a larger heated area, eliminating coldspots.



30Mj Infrared-Zone Burner

Infrared-Zone Cooking with a 10mm thick stainless steel flat plate gives you a quick sear with high radiant temperatures of up to 1000°C that keeps food tastier and healthier.



Heavy Duty Storage Drawers*

Heavy duty storage drawers to hold all of your essential cooking utensils and ingredients.

*Note: Only available on cart model BBQs
Drawer setup may vary depending on size and model of BBQ selected*



Birchwood Chopping Board

High quality Capital branded birchwood chopping board included with the purchase of any Precision Capital BBQ.



Vinyl Cover

High quality vinyl cover included with the purchase of any Capital BBQ.

The cover will help to protect your BBQ and keep it clean when not in use.



Integrated Halogen Lighting System

Powerful lighting system strategically located to ensure the best lighting whilst cooking.



Die-Cast Knobs & Electronic Ignition

Die-cast chrome plated knobs with black trim and stainless steel bezels which remain cool to the touch.

Innovative electronic ignition system provides a reliable and consistent source of flame.



Flush Mounted Rotisserie with Hidden Motor

Create mouth-watering, restaurant quality rotisserie meals in your own backyard with the high-powered integrated hidden rotisserie motor which helps to provide a clean look. The stainless steel rod and 2 forks supplied will hold up to a massive 25kg. The rotisserie system boasts a flush mounted infrared burner at the rear of the BBQ.

PRECISION range

ACG40RBI.1 N/L

40" Built In Open Grill BBQ with Solid Flat Plate



4 Burner BBQ

- 2 x 30Mj Rating W-Shaped Precision Burners
 - 1 x 30Mj Infrared Zone Burner
- 1 x 18 Mj Mounted Rear Infrared Rotisserie Burner

Hidden Rotisserie for a Clean Look
Flame Failure

Stainless Steel Solid Grill Plate (10mm Thick)

Stainless Steel Encased Ceramic Rods

Spring Assisted Lid for Easy Lift

Stainless Steel Channeled Grates for Grease Drainage

Easy Clean Drip Tray with Easy Glide System

Hood-Mounted Thermostat

Removable Warming Rack

2 x Integrated Halogen Lights

Birchwood Chopping Board

Vinyl Cover

Available in both Natural Gas & LPG

Note: For a comprehensive list of features, specifications and dimensions please view the relevant product sheet at www.capitalbrand.com.au
Please ensure that you read the user manual and installation guide before purchasing your Capital BBQ.

ACG40RFS.1 N/L

40" Cart Model Open Grill BBQ with Solid Flat Plate

**4 Burner BBQ**

- 2 x 30Mj Rating W-Shaped Precision Burners
 - 1 x 30Mj Infrared Zone Burner
- 1 x 18Mj Mounted Rear Infrared Rotisserie Burner

Hidden Rotisserie for a Clean Look
Flame Failure

Stainless Steel Solid Grill Plate (10mm Thick)

Stainless Steel Encased Ceramic Rods

Spring Assisted Lid for Easy Lift

Stainless Steel Channeled Grates for Grease Drainage

Easy Clean Drip Tray with Easy Glide System

Hood-Mounted Thermostat

Removable Warming Rack

2 x Integrated Halogen Lights

Birchwood Chopping Board

Vinyl Cover

1 Door & 2 Easy Glide Drawers

Rounded Corners & Seamless Construction

Hidden Castors

Available in both Natural Gas & LPG

PRECISION range

ACG52RBI.1 N/L

52" Built In Open Grill BBQ with Solid Flat Plate



6 Burner BBQ

- 3 x 30Mj Rating W-Shaped Precision Burners
 - 1 x 30Mj Infrared Zone Burner
- 2 x 16Mj Mounted Rear Infrared Rotisserie Burners

Hidden Rotisserie for a Clean Look
Flame Failure

Stainless Steel Solid Grill Plate (10mm Thick)

Stainless Steel Encased Ceramic Rods

Spring Assisted Lid for Easy Lift

Hood-Mounted Thermostat

Stainless Steel Channeled Grates for Grease Drainage

Easy Clean Drip Tray with Easy Glide System

Removable Warming Rack

3 x Integrated Halogen Lights

Birchwood Chopping Board

Vinyl Cover

Available in both Natural Gas & LPG

Note: For a comprehensive list of features, specifications and dimensions please view the relevant product sheet at www.capitalbrand.com.au
Please ensure that you read the user manual and installation guide before purchasing your Capital BBQ.

ACG52RFS.1 N/L

52" Cart Model Open Grill BBQ with Solid Flat Plate

**6 Burner BBQ**

- 3 x 30Mj Rating W-Shaped Precision Burners
 - 1 x 30Mj Infrared Zone Burner
- 2 x 16Mj Mounted Rear Infrared Rotisserie Burners

Hidden Rotisserie for a Clean Look
Flame Failure

Stainless Steel Solid Grill Plate (10mm Thick)

Stainless Steel Encased Ceramic Rods

Spring Assisted Lid for Easy Lift

Hood-Mounted Thermostat

Stainless Steel Channeled Grates for Grease Drainage

Easy Clean Drip Tray with Easy Glide System

Removable Warming Rack

3 x Integrated Halogen Lights

Birchwood Chopping Board

Vinyl Cover

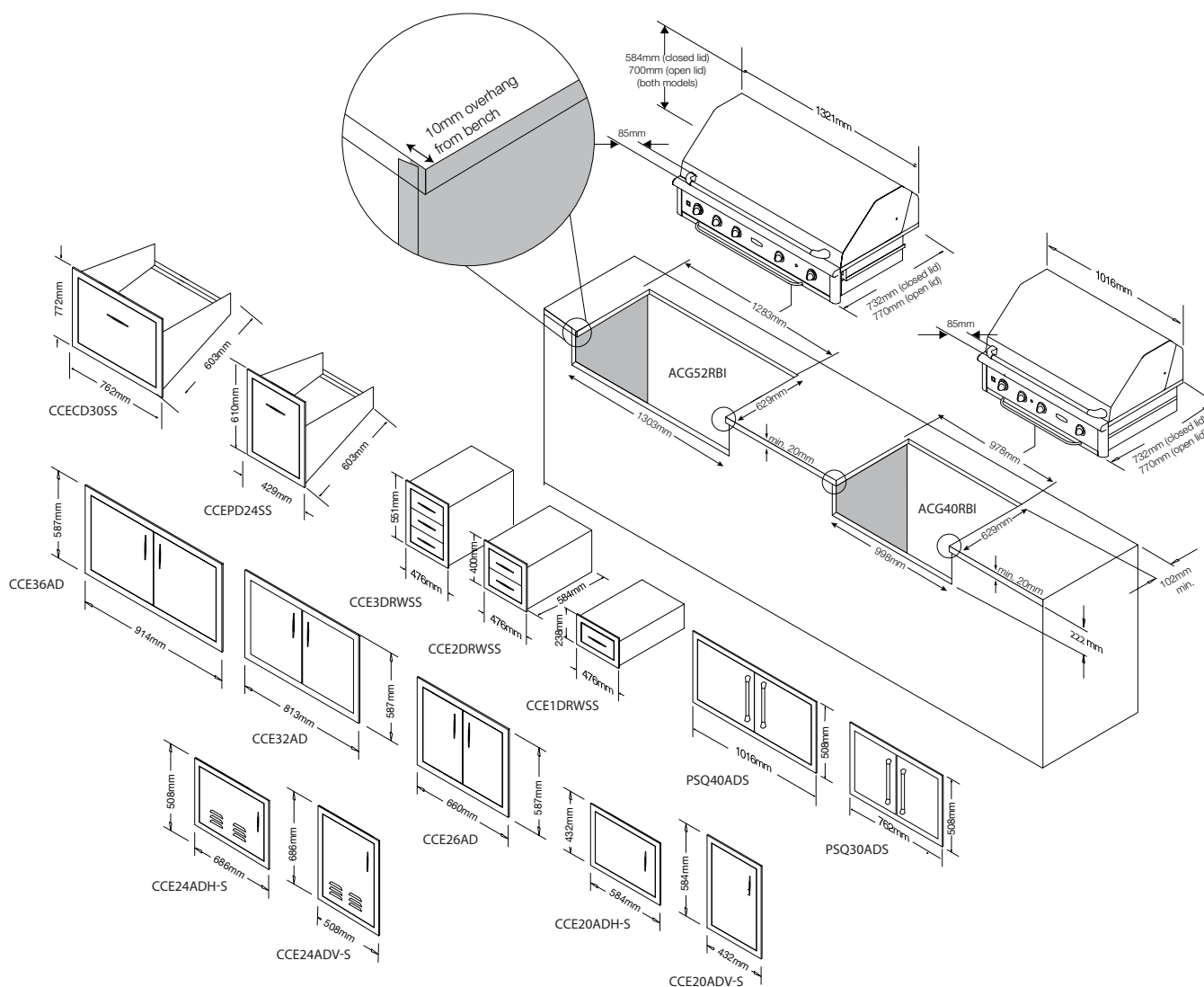
2 Doors & 2 Easy Glide Drawers

Rounded Corners & Seamless Construction

Hidden Castors

Available in both Natural Gas & LPG

PRECISION Cabinet Preparation



*** Floor base 272mm min. from bottom of benchtop.**
A minimum 50mm clearance is required directly below the barbecue.

Product Dimensions		
	ACG40RBI.1 N/L	ACG52RBI.1 N/L
Height	584mm (lid closed) 912mm (lid open)	584mm (lid closed) 912mm (lid open)
Width	1016mm	1321mm
Depth	720mm (lid closed) 770mm (lid open)	720mm (lid closed) 770mm (lid open)
Cut Out Dimensions		
Height	222mm	222mm
Width	978mm (back), 998mm (front)	1283mm (back), 1303mm (front)
Depth	629mm	629mm
Nominal Gas Consumption		
	ACG40RBI & ACG40RFS	ACG52RBI & ACG52RFS
	108Mj/hr	156Mj/hr

PRECISION Additional Accessories



Stainless steel drawers

CCE1DRWSS (1 drawer)
CCE2DRWSS (2 drawers)
CCE3DRWSS (3 drawers)

30" Double Doors / 40" Double Doors

PSQ30ADS / ACG40ADS

24" Single Access Door

PSQ24ADVS

	Product Dimensions			Cut Dimensions	
	Height	Width	Depth	Height	Width
CCE1DRWSS	238 mm	476 mm	584 mm	173 mm	406 mm
CCE2DRWSS	400 mm	476 mm	584 mm	330 mm	406 mm
CCE3DRWSS	551 mm	476 mm	584 mm	483 mm	406 mm
CCE20ADH-S	584mm	432mm		365mm	516mm
CCE20ADV-S	432mm	584mm		518mm	365mm
CCE24ADH-S	686mm	508mm		441mm	618mm
CCE24ADV-S	508mm	686mm		619mm	441mm
CCE26AD	660mm	587mm		518mm	591mm
CCE32AD	813mm	587mm		518mm	743mm
CCE36AD	914mm	587mm		518mm	845mm
CCECD30SS	762mm	772mm	603mm	445mm	699mm
CCEPD24SS	429mm	610mm	603mm	540mm	362mm
PSQ24ADVS	689 mm	609 mm		609 mm	432 mm
PSQ30ADVS	508 mm	762 mm		514 mm	690 mm
PSQ40ADVS	508 mm	1016 mm		514 mm	945 mm

Cart model barbecue dimensions

	Product Dimensions	
	ACG40RFS.1 N/L	ACG52RFS.1 N/L
Height	1272 mm (closed) / 1600 mm (open)	1272 mm (closed) / 1600 mm (open)
Width	1930 mm	2235 mm
Depth	736 mm (closed) / 774 mm (open)	736 mm (closed) / 774 mm (open)

* 10 AMP GPO required

* All units have a flexible hose from the rear right hand side of the BBQ

* All units have the power box connectors 100mm in from the rear left hand side of the BBQ

* **IMPORTANT:** Due to the rotisserie pulley system, an additional 15mm clearance is required in width under the bench top on the left hand side of the unit.

See diagram (previous page).

PROGRILL range

PRO32BRI N/L

32" Built In Open Grill BBQ with Solid Flat Plate



3 Burner PROGRILL32 BBQ

- 2 x Precision 20.6Mj Burners
- 1 x 13Mj Infrared Rotisserie Burner

Infrared rotisserie features high capacity motor and 2 rotisserie forks provided
10 AMP GPO required for rotisserie.
Flame Failure

Stainless Steel teppanyaki grill plate included as standard.

Piezo Ignition

Twin skin stainless steel lid

Hood-Mounted Thermostat

Vinyl Cover

Available in both Natural Gas & LPG (must be ordered to suit gas)

PROGRILL FEATURES



**Precision 20.6Mj
burners**



**Stainless steel
teppanyaki
grill plate**



Rotisserie included



**Stainless steel
radiant trays and
grill racks**



**Chrome plated
knobs**

Note: For a comprehensive list of features, specifications and dimensions please view the relevant product sheet at www.capitalbrand.com.au
Please ensure that you read the user manual and installation guide before purchasing your Capital BBQ.

PRO36BRI N/L

36" Built In Open Grill BBQ with Solid Flat Plate



4 Burner PROGRILL36 BBQ

- 3 x Precision 20.6Mj Burners
- 1 x 13Mj Infrared Rotisserie Burner

Infrared rotisserie features a high capacity motor and 2 rotisserie forks provided
10 AMP GPO required for rotisserie.
Flame Failure

Stainless Steel teppanyaki grill plate included as standard.
Electronic Ignition (AA Batteries)
Twin skin stainless steel lid
Hood-Mounted Thermostat
Vinyl Cover

Available in both Natural Gas & LPG (must be ordered to suit gas)

PROGRILL FEATURES



Precision 20.6Mj burners



Stainless steel teppanyaki grill plate



Rotisserie included



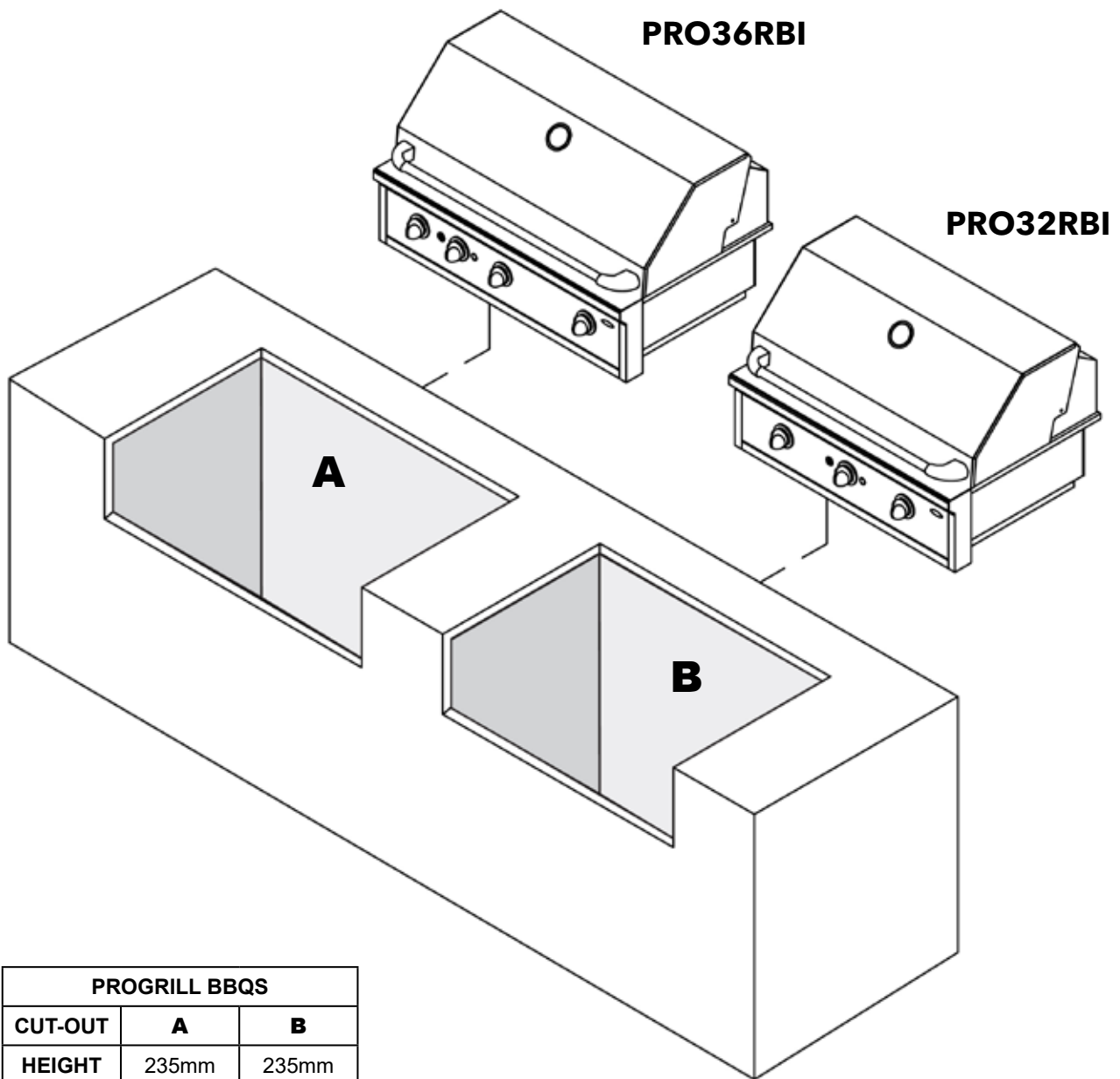
Stainless steel radiant trays and grill racks



Chrome plated knobs

Note: For a comprehensive list of features, specifications and dimensions please view the relevant product sheet at www.capitalbrand.com.au
Please ensure that you read the user manual and installation guide before purchasing your Capital BBQ.

PROGRILL Cabinet Preparation

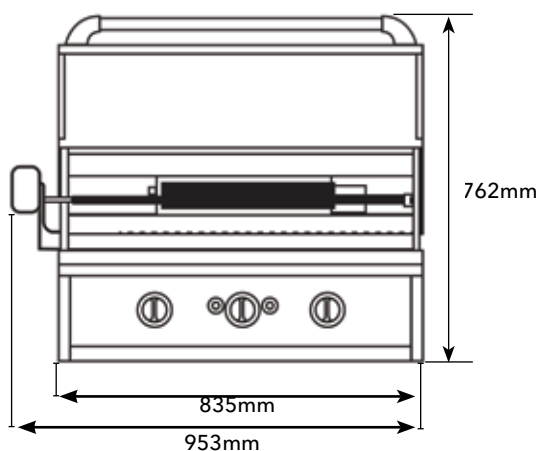


PROGRILL BBQS		
CUT-OUT	A	B
HEIGHT	235mm	235mm
WIDTH	902mm	800mm
DEPTH	489mm	489mm

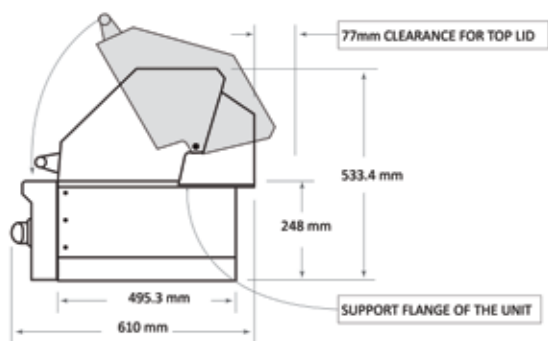
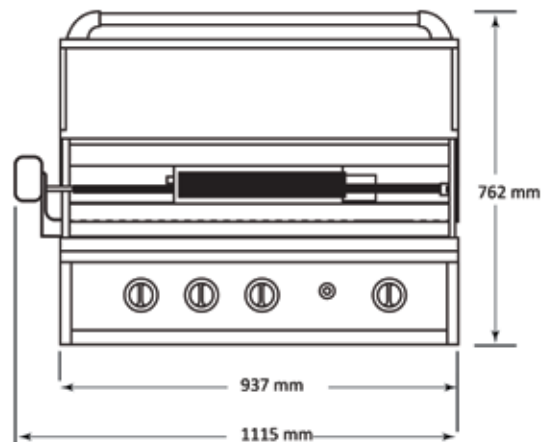
Min. 50mm clearance

PROGRILL Specifications

PRO32RBI



PRO36RBI



Product Dimensions		
	PRO32RBI	PRO36RBI
Height	533.4mm (lid closed) 762mm (lid open)	533mm (lid closed) 762mm (lid open)
Width	835mm 953mm (with rotisserie motor)	937mm 1115mm (with rotisserie motor)
Depth	610mm	610mm
Cut Out Dimensions		
Height	235mm	235mm
Width	800mm	902mm
Depth	489mm	489mm
Nominal Gas Consumption		
	PRO32RBI	PRO36RBI
	54.98 Mj/hr	78.51 Mj/hr
LPG Consumption		
	PRO32RBI	PRO36RBI
	54.21 Mj/hr	77.22 Mj/hr



ARISIT PTY LIMITED (Australia)

ABN 23 091 515 294
40-50 Mark Anthony Drive
Dandenong South VIC 3175

P: Sales: 1300 762 219

F: Sales & Service (03) 9768 0838

E: arisit@arisit.com

www.arisit.com

www.arisitwarranties.com.au

www.capitalbrand.com.au

All efforts have been made to ensure that the information provided in this brochure is correct at the time of printing. Due to continuous product improvement and ongoing development, Capital reserves the right to make changes to the products and technical data without prior notice. Some products appearing in this brochure may be for illustrative purposes only. Diagrams are indicative measures only. Prior to commencing cabinetry cutouts the latest product sheets and operating and installation instructions accompanying the product must be referred to.