

Name: \_\_\_\_\_

Age: \_\_\_\_\_

Email: \_\_\_\_\_



His name is \_\_\_\_\_

My favourite memory of my  
Dad is \_\_\_\_\_

\_\_\_\_\_

\_\_\_\_\_

\_\_\_\_\_

\_\_\_\_\_

\_\_\_\_\_

**Draw your Dad**

A large, empty rectangular box with a solid black border, intended for the child to draw their father.

He is good at \_\_\_\_\_

\_\_\_\_\_

\_\_\_\_\_

\_\_\_\_\_

\_\_\_\_\_

His favourite food is \_\_\_\_\_

\_\_\_\_\_

He is good at \_\_\_\_\_

\_\_\_\_\_

\_\_\_\_\_

Funny things my Dad says  
and do \_\_\_\_\_

\_\_\_\_\_

\_\_\_\_\_

\_\_\_\_\_

\_\_\_\_\_

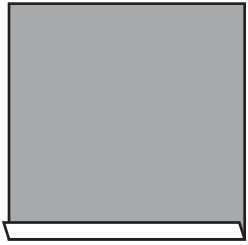
Name:

Age:

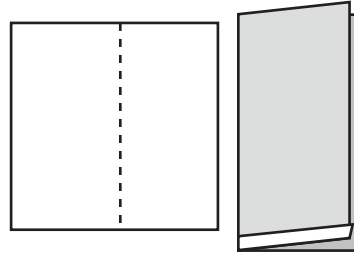
Email:



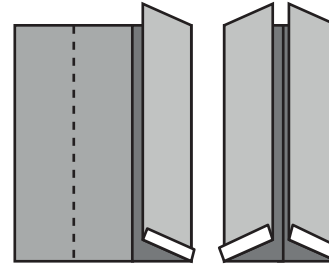
# Origami Suit Jacket



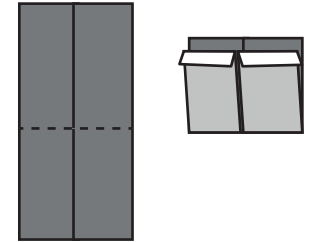
1. Fold the bottom of a square piece of paper up to about the height of 1cm



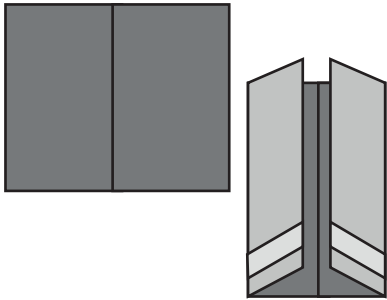
2. Flip the paper over and fold it in half



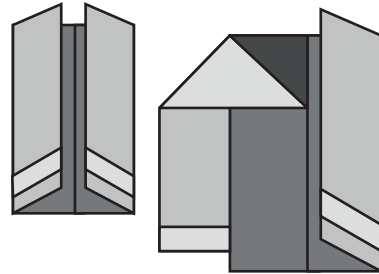
3. Open it back up and fold each flap to create two doors



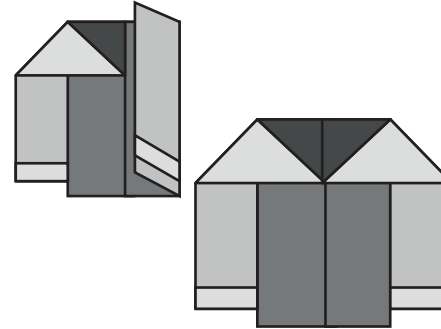
4. Flip the paper over again and fold it all leaving 1cm gap up the top



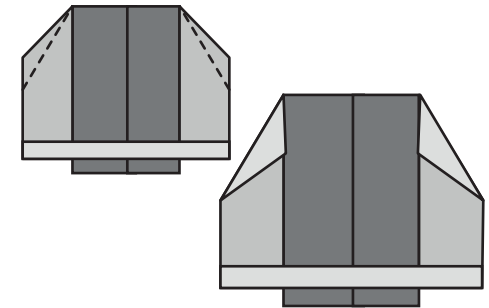
5. Flip the paper over again and fold two sides into the middle to create doors again



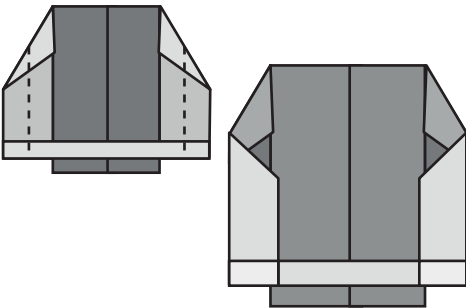
6. Pull apart the left door and fold to create a triangle at the top



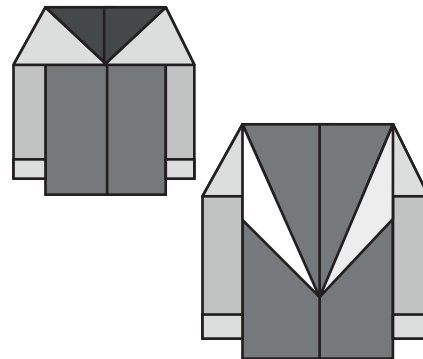
7. Repeat step 6 on the right hand side



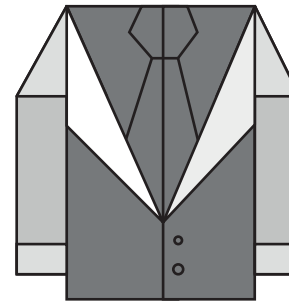
8. Flip the paper over and fold the side corners over to the first line of either side



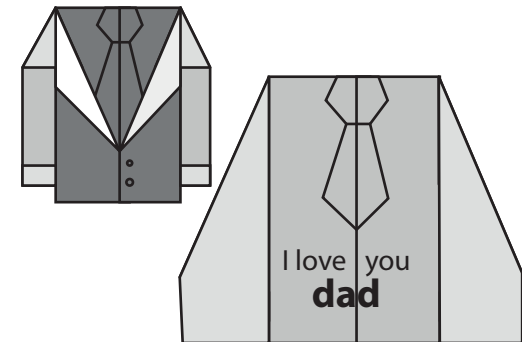
9. Fold in the first flap on either side in half towards the next fold line



10. Flip over again and fold the inside of the two flaps out towards the next line to create a collar for the jacket



11. Draw a tie on the back panel and add some buttons onto the jacket



12. Open up the jacket and add a secret note for your dad to read