

**1-877-637-3712**



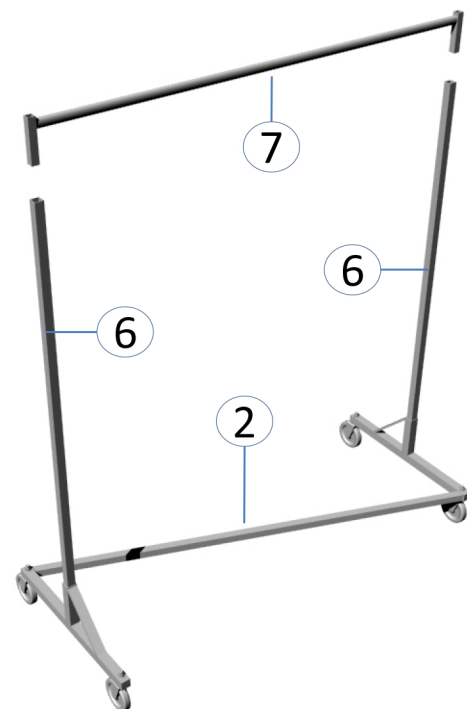
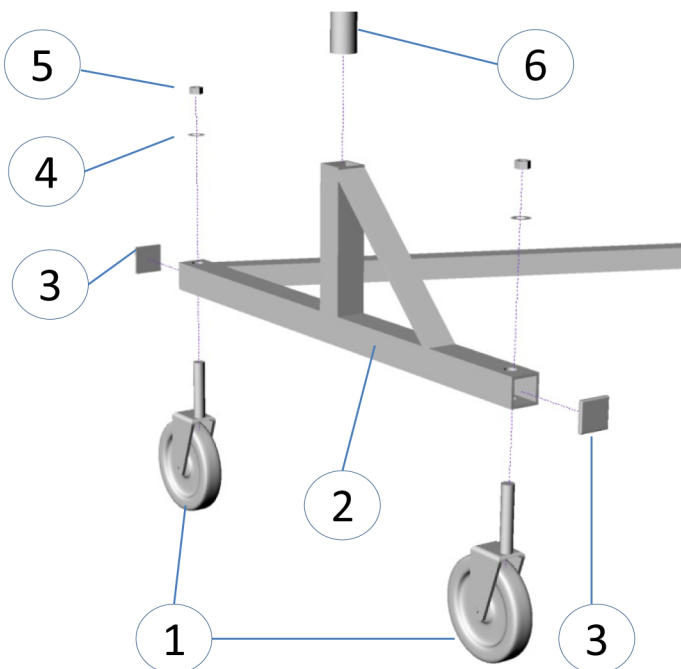
Heavy Duty Z-Rack (Single Rail)

**PARTS LIST**

1. Stem Swivel Caster (x4)
2. Garment Rack Frame (x1)
3. Square End Cap (x4)
4. 7/16" Lock washer (x4)
5. 7/16" Hex Nut (x4)
6. Upright Bar (x2)
7. Top Quickrail Bar (x1)

**Assembly Instructions – Bottom**

- A. Insert Casters (1) into frame (2)
- B. Tighten 7/16" lock washer (4) and 7/16" hex nut (5).
- C. Attach top Quickrail bar (7) and Upright Bar (6) by sliding on to upright bars.
- D. Insert Square end caps (3) into Frame.
- E. Endcaps will need to be hammered on.



Tools Required: Adjustable wrench or 1/2" wrench, hammer.